

US00D595328S

(12) **United States Design Patent**
Kim et al.

(10) **Patent No.:** **US D595,328 S**
(45) **Date of Patent:** **** Jun. 30, 2009**

(54) **PORTION OF AN ELECTRONIC CAMERA**

D582,955 S * 12/2008 Sekine et al. D16/218

(75) Inventors: **Young Soo Kim**, Bellevue, WA (US);
Ralf Groene, Kirkland, WA (US)

* cited by examiner

Primary Examiner—Adir Aronovich

(73) Assignee: **Microsoft Corporation**, Redmond, WA
(US)

(74) *Attorney, Agent, or Firm*—Banner & Witcoff Ltd.

(**) Term: **14 Years**

(57) **CLAIM**

(21) Appl. No.: **29/317,455**

The ornamental design for a portion of an electronic camera,
as shown and described.

(22) Filed: **Apr. 30, 2008**

DESCRIPTION

(51) **LOC (9) Cl.** **16-05**

FIG. 1 is a front perspective view of a portion of an electronic
camera showing our new design;

(52) **U.S. Cl.** **D16/219**

FIG. 2 is front elevational view thereof;

(58) **Field of Classification Search** D16/200–204,
D16/208, 218, 219; 348/333.01, 373–376;
358/906, 909.1; 396/535–541

FIG. 3 is a rear elevational view thereof;

See application file for complete search history.

FIG. 4 is a left side elevational view thereof;

FIG. 5 is a right side elevational view thereof;

(56) **References Cited**

FIG. 6 is a top plan view thereof; and,

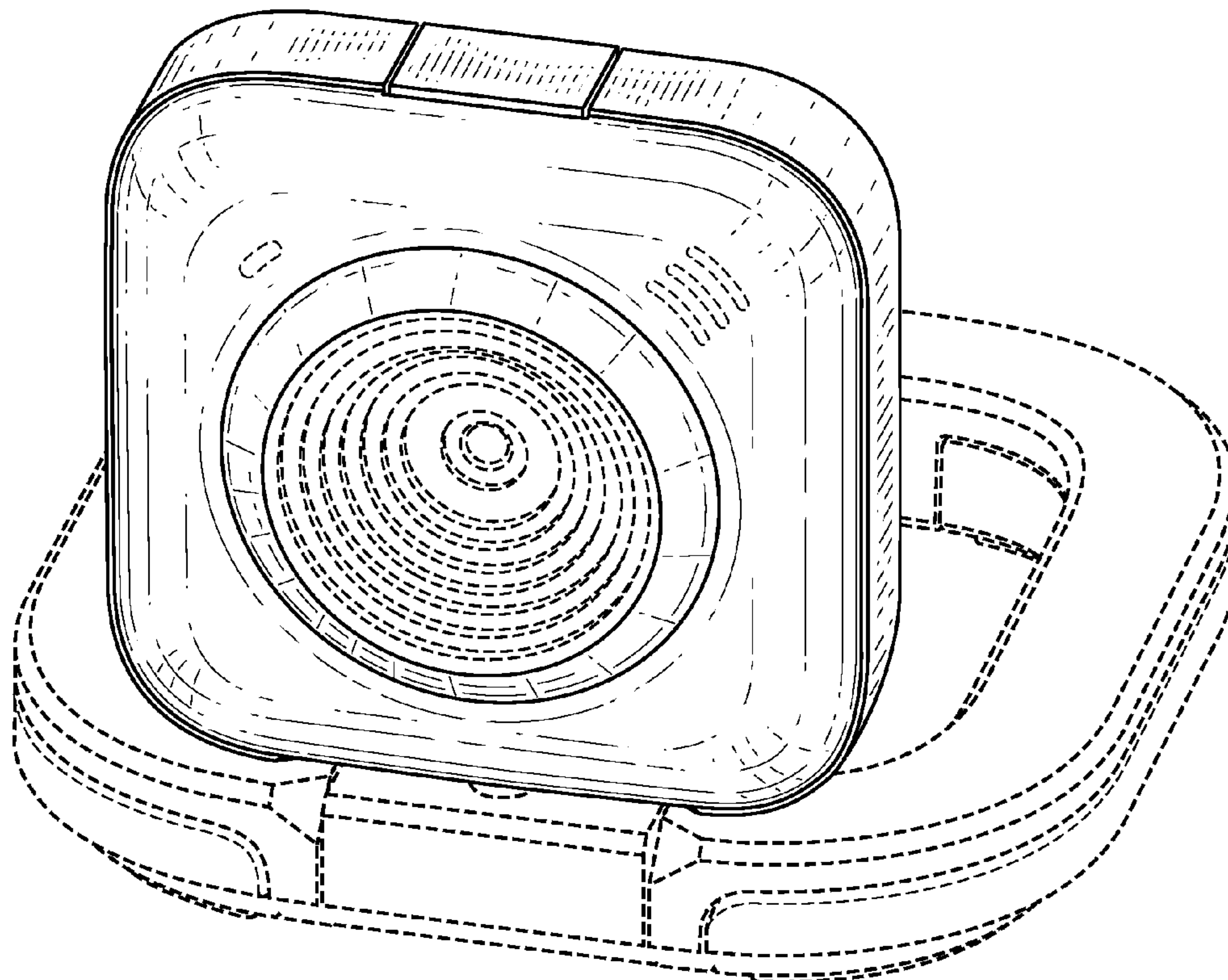
FIG. 7 is bottom plan view thereof.

U.S. PATENT DOCUMENTS

4,825,302	A *	4/1989	Tezuka et al.	358/906
D339,365	S *	9/1993	Urcuilio	D16/203
D377,940	S *	2/1997	Totsch	D16/202
D474,221	S *	5/2003	Cheng	D16/218
D494,204	S *	8/2004	Naruke	D16/203
D564,008	S *	3/2008	Ikeda et al.	D16/219

The broken line showing of a remainder of the electronic
camera in the figures, including the unshaded areas therein, is
for illustrative purposes and forms no part of the claimed
design.

1 Claim, 7 Drawing Sheets



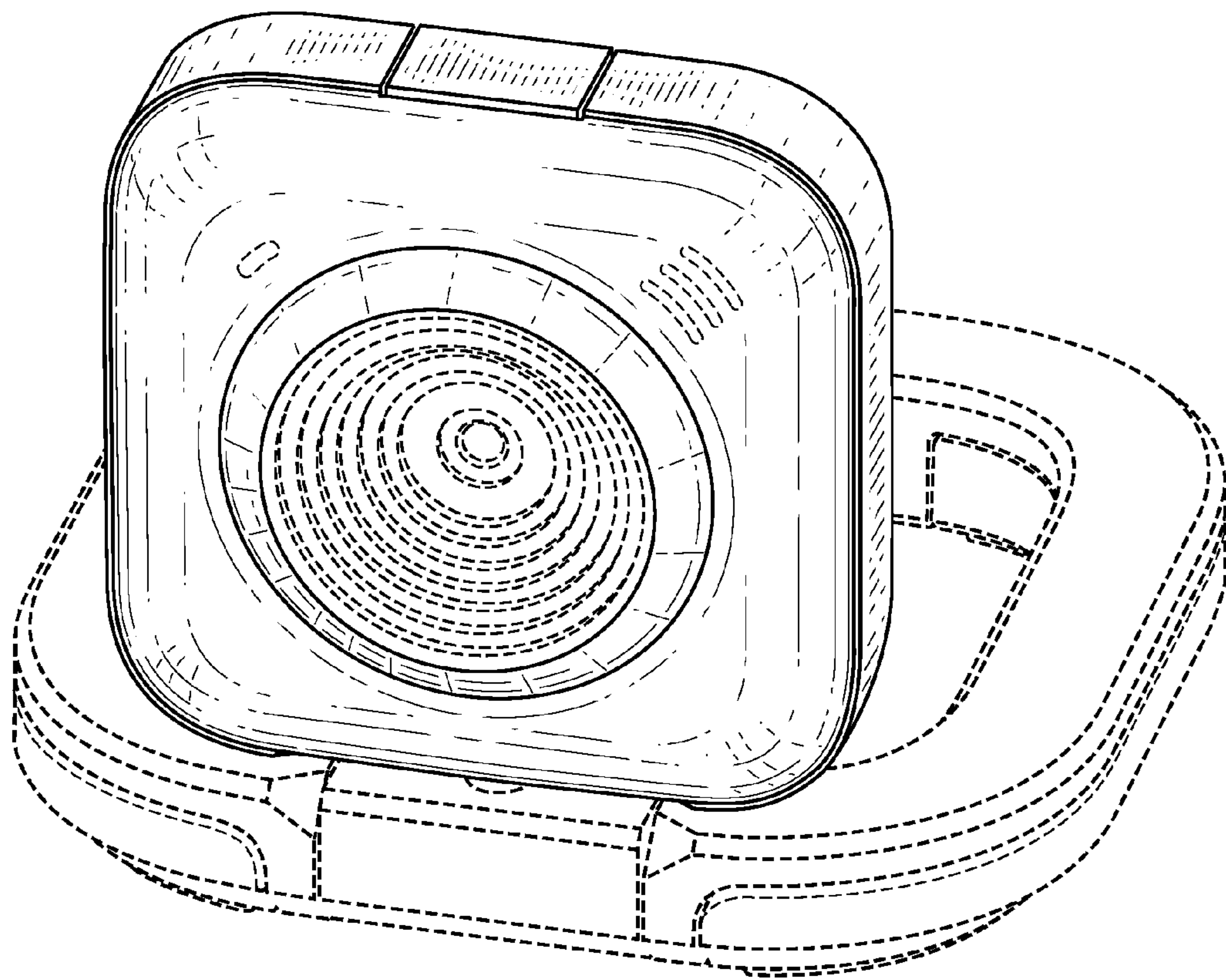


FIG. 1

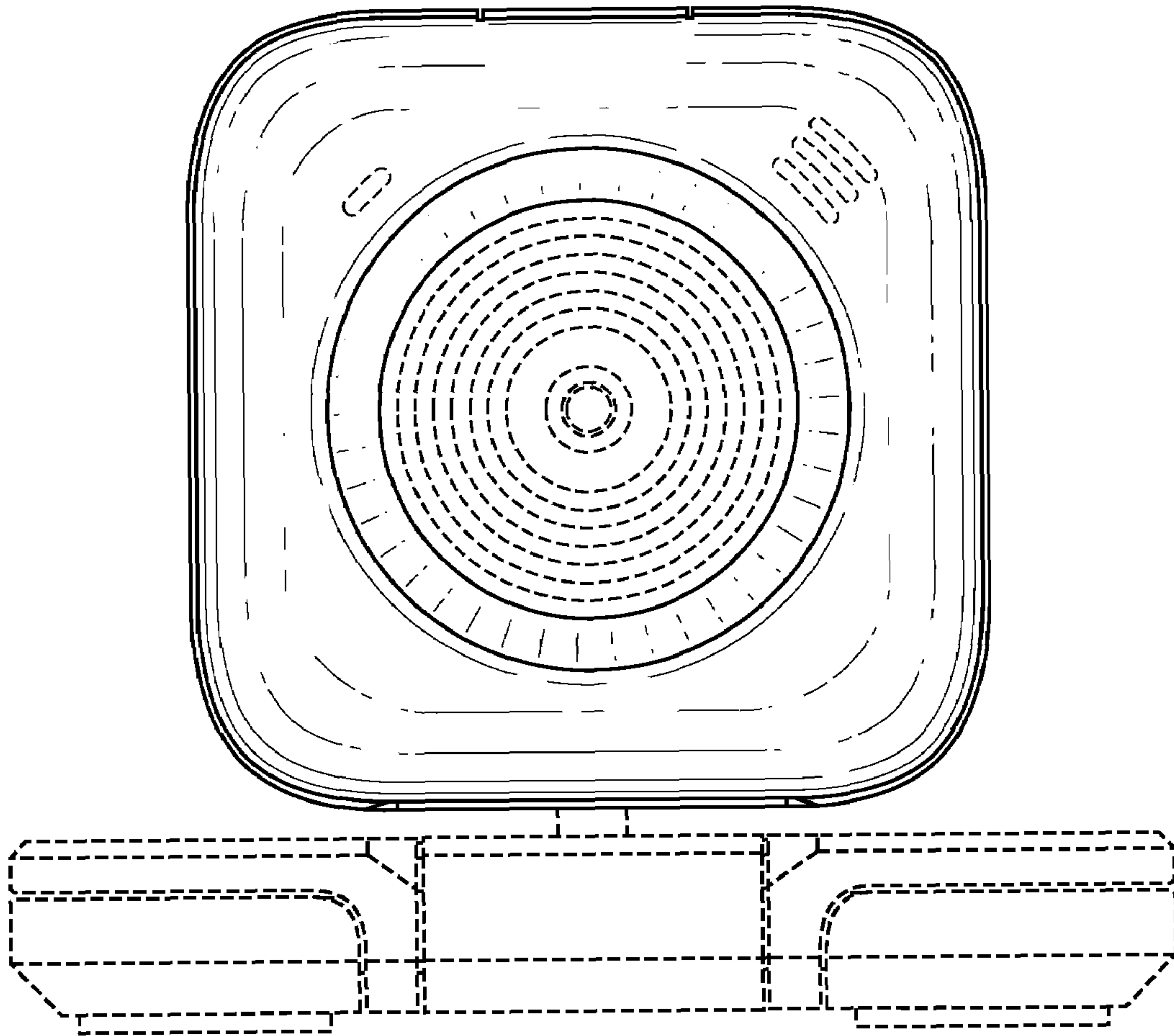


FIG. 2

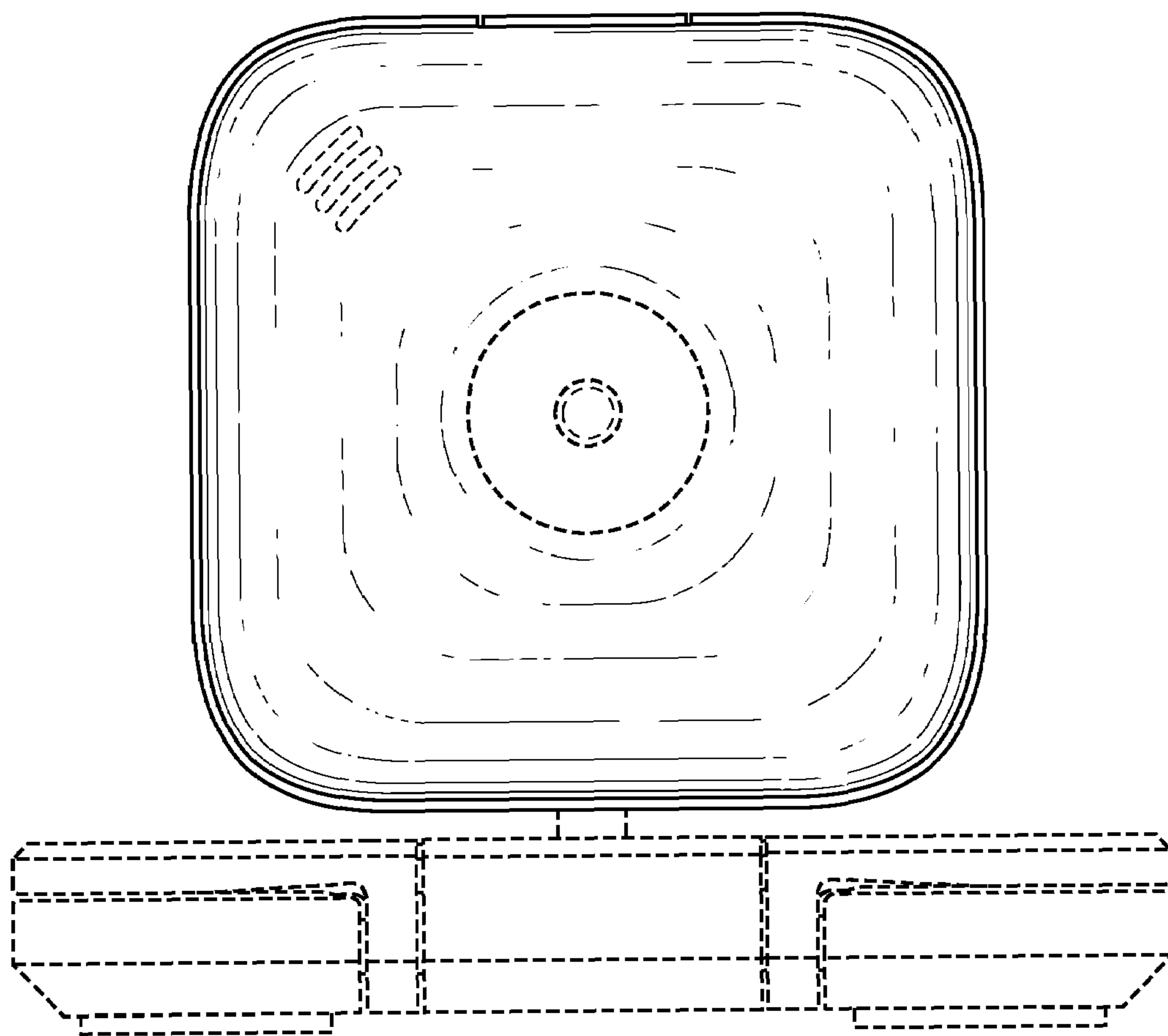


FIG. 3

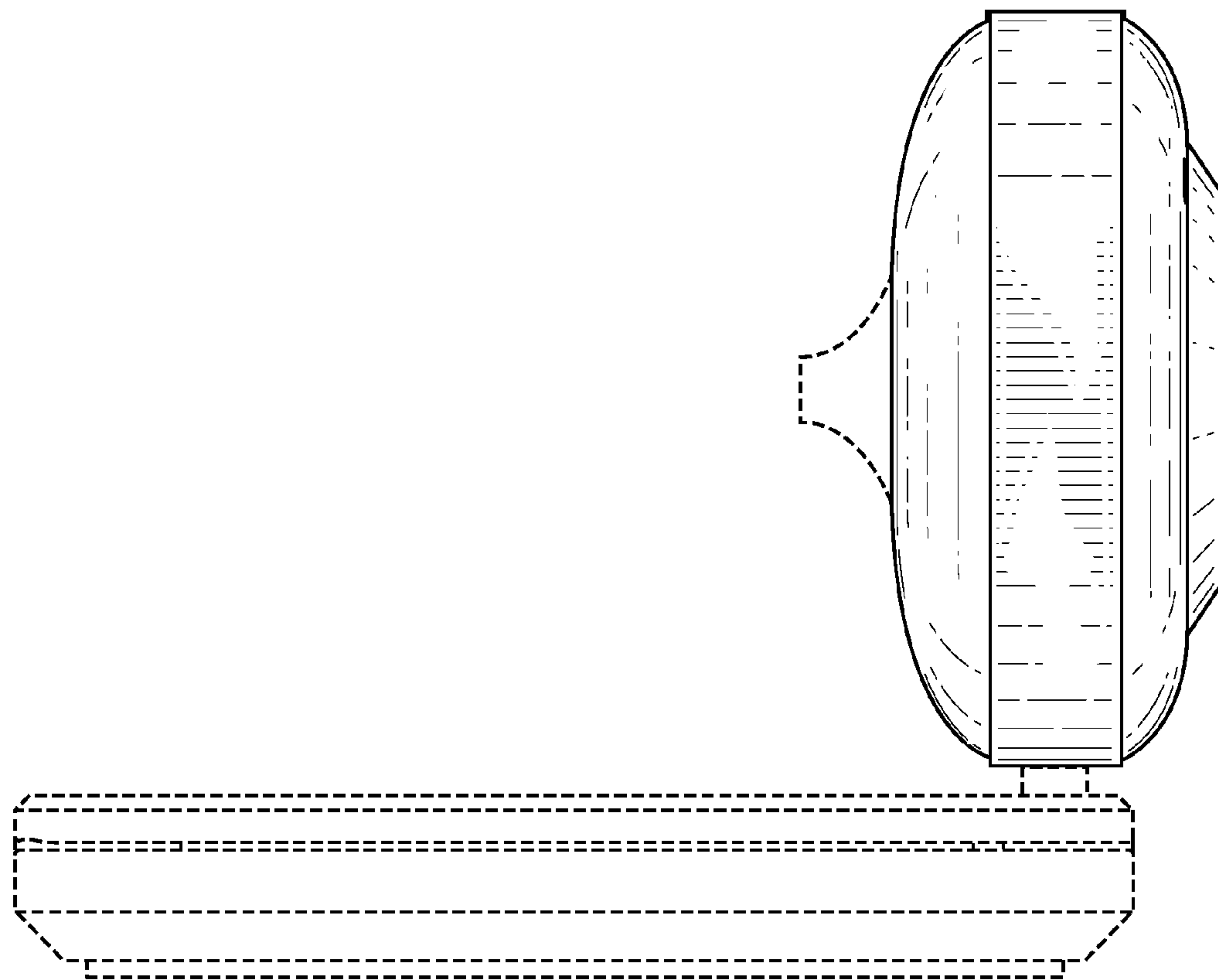


FIG. 4

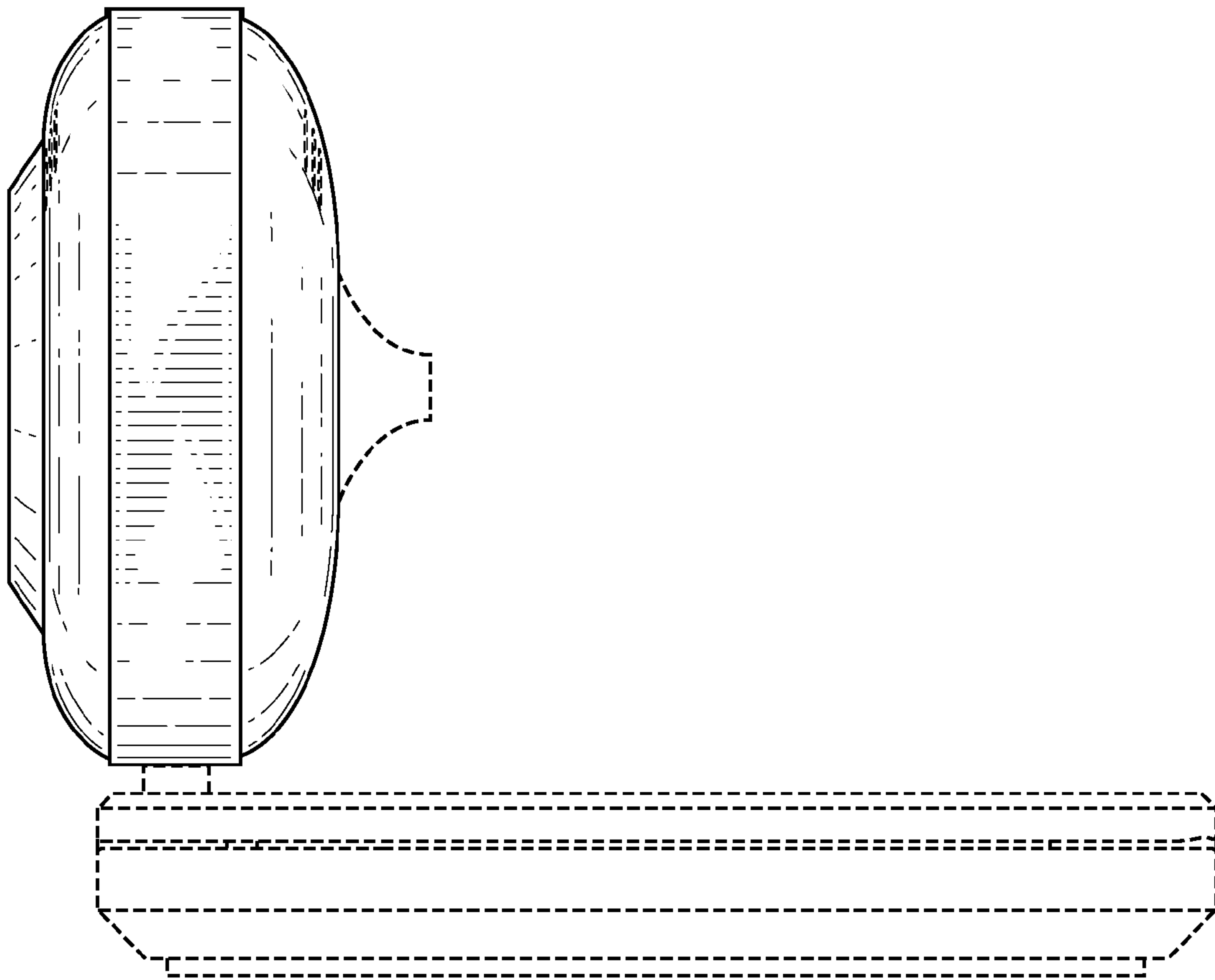


FIG. 5

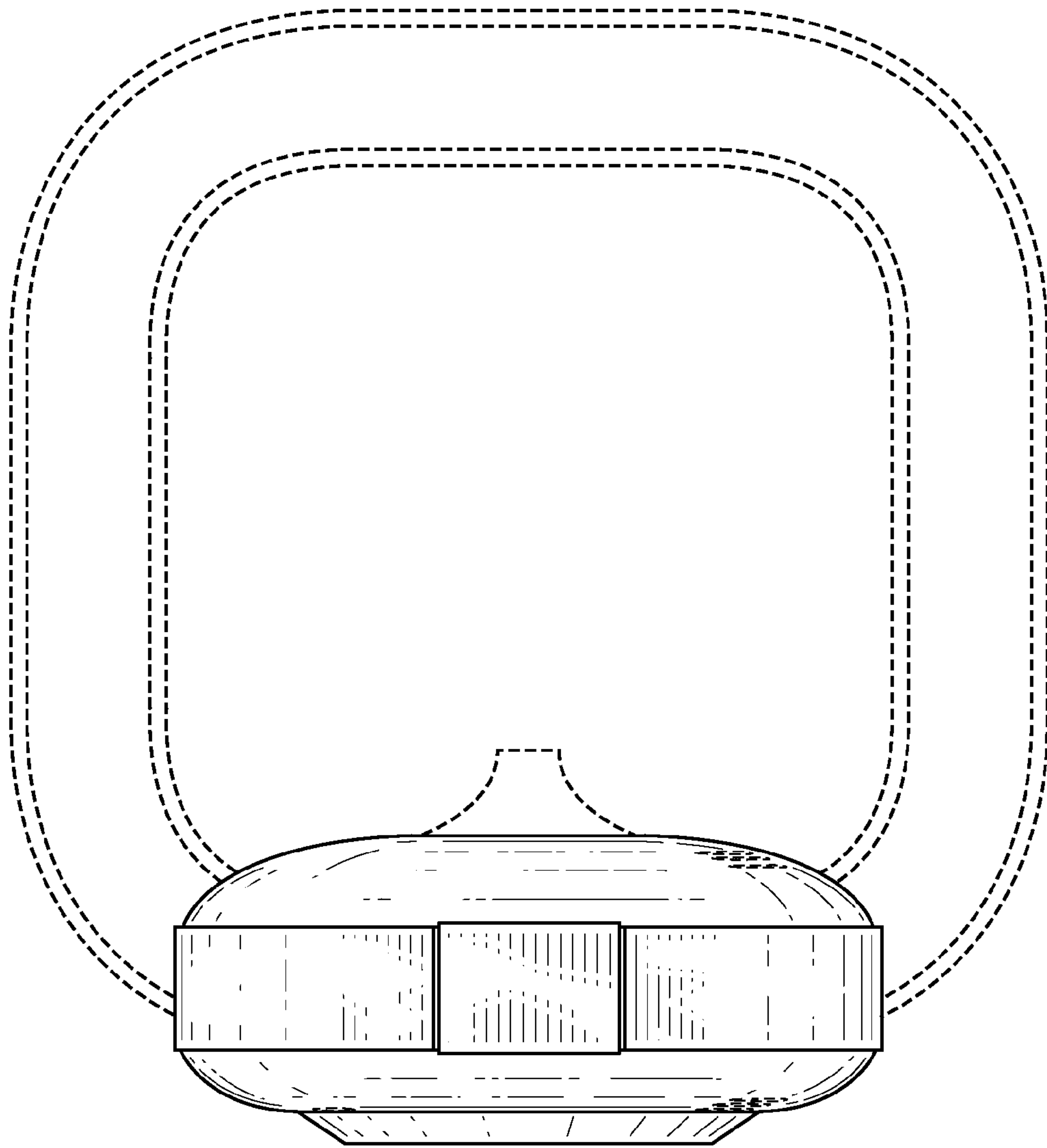


FIG. 6

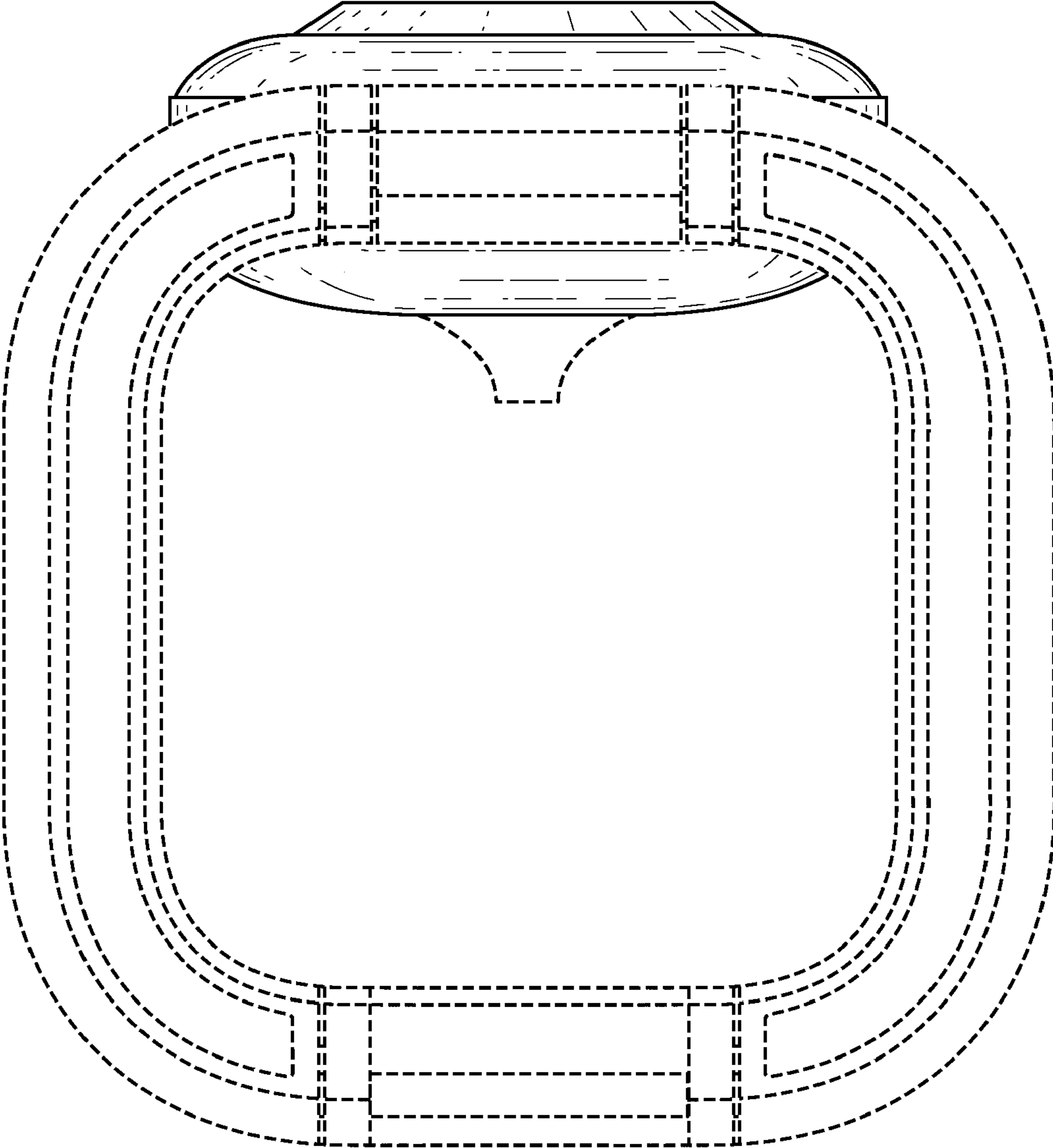


FIG. 7