

US00D595327S

(12) **United States Design Patent**
Okada et al.

(10) **Patent No.:** **US D595,327 S**
(45) **Date of Patent:** **** Jun. 30, 2009**

(54) **MICROSCOPE**

(75) Inventors: **Keiji Okada**, Hachioji (JP); **Yuichiro Hashimoto**, Hachioji (JP); **Takashi Yoneyama**, Sagamihara (JP)

(73) Assignee: **Olympus Corporation**, Tokyo (JP)

(**) Term: **14 Years**

(21) Appl. No.: **29/293,822**

(22) Filed: **Dec. 13, 2007**

(30) **Foreign Application Priority Data**

Jun. 15, 2007	(JP)	2007 015940
Nov. 16, 2007	(JP)	2007 031599
Nov. 16, 2007	(JP)	2007 031601
Nov. 16, 2007	(JP)	2007 031602

(51) **LOC (9) Cl.** **16-06**

(52) **U.S. Cl.** **D16/131**

(58) **Field of Classification Search** D16/130,
D16/131, 221, 222, 242; D24/172, 186,
D24/232; 359/362, 363, 368, 369, 372, 382,
359/383, 385, 390, 801; D21/483; 446/219
See application file for complete search history.

(56) **References Cited**

U.S. PATENT DOCUMENTS

2,518,240	A *	8/1950	Lowbar et al.	353/39
2,518,252	A *	8/1950	Reardon et al.	353/39
D179,280	S *	11/1956	Boughton	D16/221
D218,196	S *	7/1970	Merino	D16/130
D226,283	S *	2/1973	Shield	D16/131
D301,498	S *	6/1989	Nuttal et al.	D21/523
D359,059	S *	6/1995	Omi	D16/131
5,694,242	A *	12/1997	Omi	359/369

(Continued)

Primary Examiner—Paula Greene

(74) *Attorney, Agent, or Firm*—Frishauf, Holtz, Goodman & Chick, P.C.

(57) **CLAIM**

The ornamental design for a microscope, as shown and described.

DESCRIPTION

FIG. 1 is a front, top and right side perspective view of a microscope, showing our new design;

FIG. 2 is a front elevational view thereof;

FIG. 3 is a rear elevational view thereof;

FIG. 4 is a top plan view thereof;

FIG. 5 is a bottom plan view thereof;

FIG. 6 is a left side elevational view thereof;

FIG. 7 is a right side elevational view thereof;

FIG. 8 is a front, top and right side perspective view thereof with the arm in a turned state;

FIG. 9 is a front, top, and right side perspective view of a second embodiment of a microscope showing our new design, the only difference being the display;

FIG. 10 is a front elevational view thereof;

FIG. 11 is a rear elevational view thereof;

FIG. 12 is a top plan view thereof;

FIG. 13 is a bottom plan view thereof;

FIG. 14 is a left side elevational view thereof;

FIG. 15 is a right side elevational view thereof;

FIG. 16 is a front, top and right side perspective view thereof with the display in a turned state;

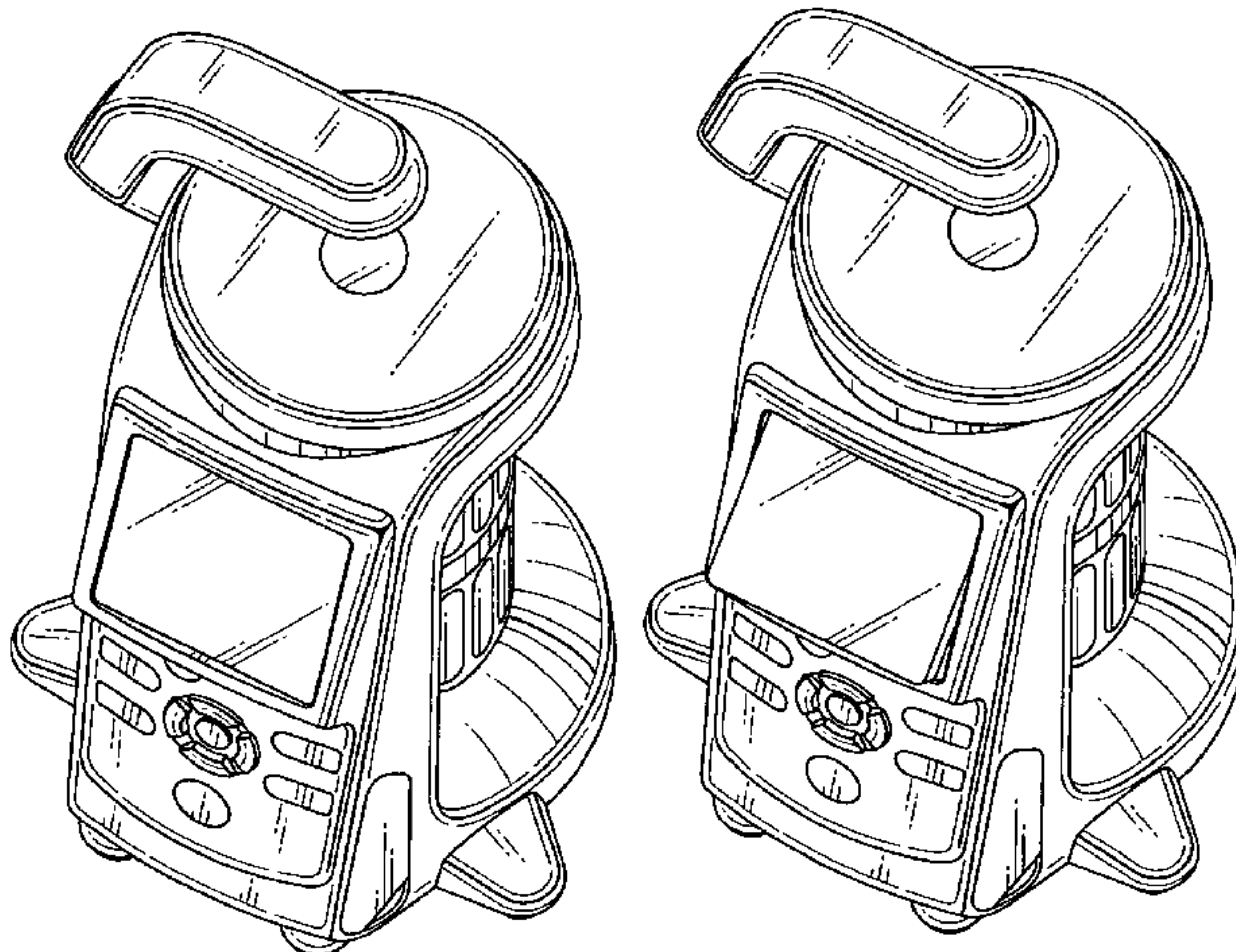
FIG. 17 is a front elevational view thereof with the display in a turned state;

FIG. 18 is a top plan view thereof with the display in a turned state;

FIG. 19 is a right side elevational view thereof with the display in a turned state; and,

FIG. 20 is a front, top and right side perspective view thereof with the display in a turned state in the opposite direction.

1 Claim, 10 Drawing Sheets



US D595,327 S

Page 2

U.S. PATENT DOCUMENTS			
D407,423	S *	3/1999	Pogue et al. D16/131
5,969,852	A *	10/1999	Kung 359/369
D474,217	S *	5/2003	Suzuki et al. D16/131
D476,020	S *	6/2003	Chih D16/131
6,690,510	B2 *	2/2004	Kanao 359/380
D503,945	S *	4/2005	Kung D16/131
D514,148	S *	1/2006	Wekstein D16/131

* cited by examiner

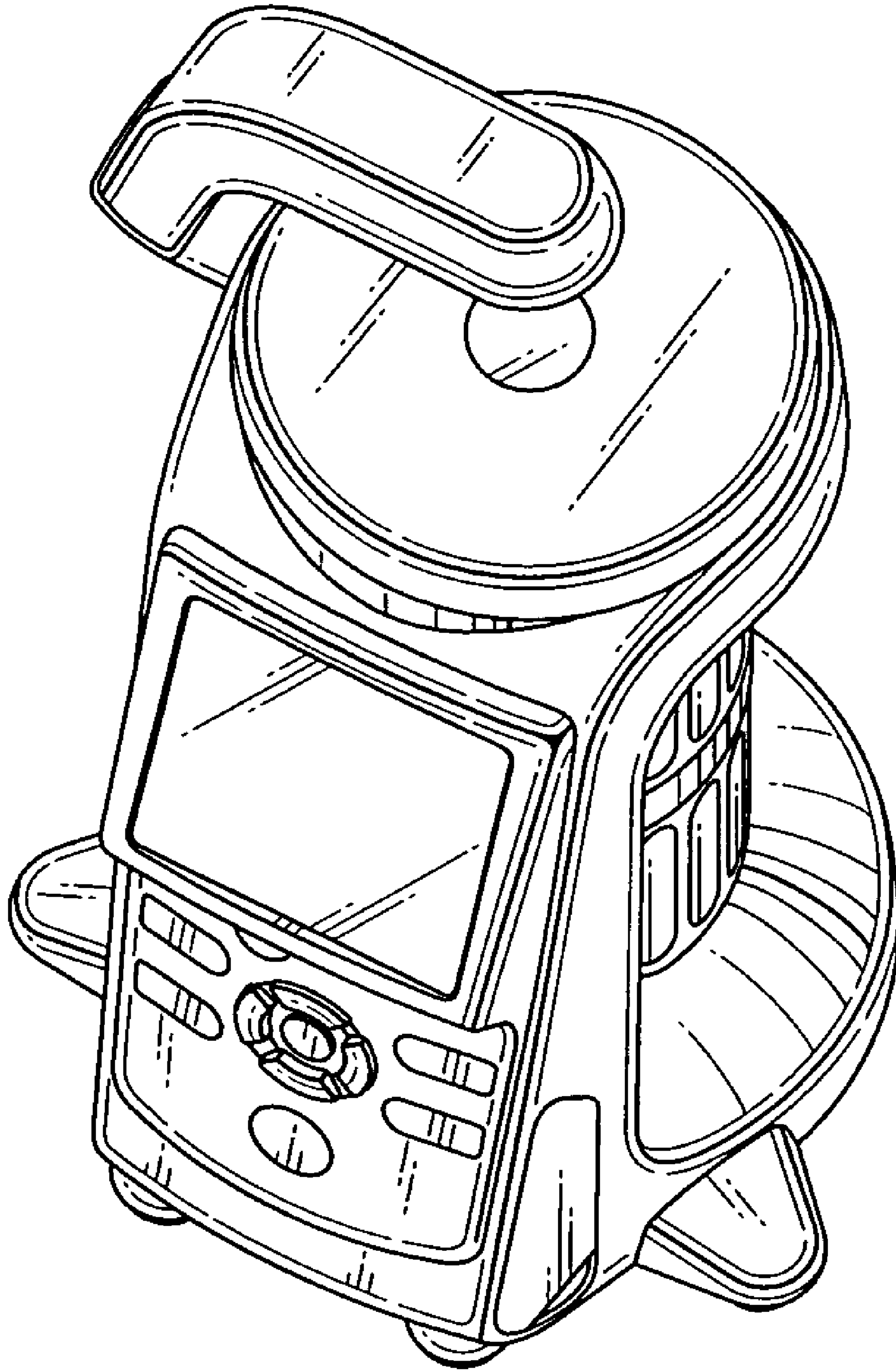


FIG. 1

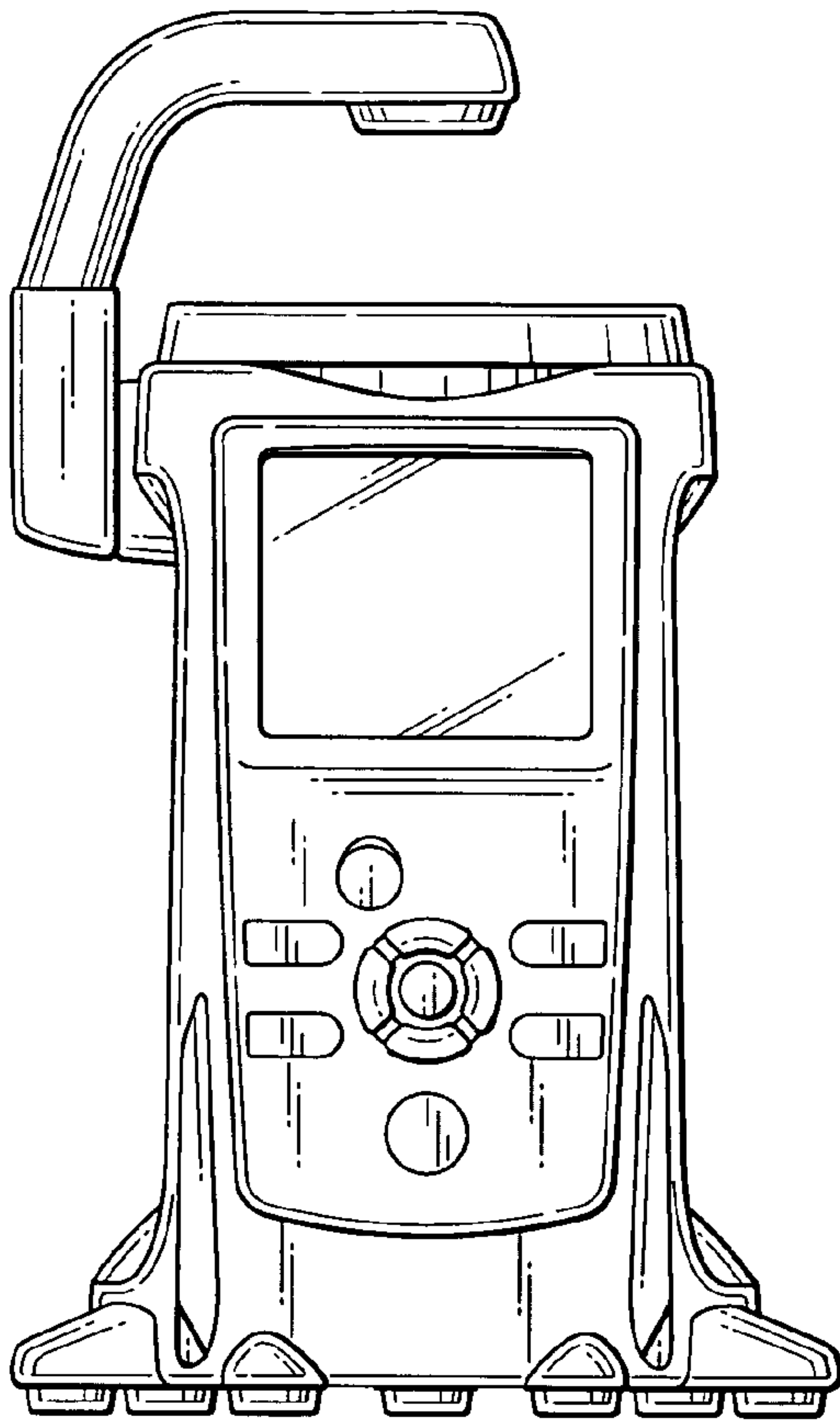


FIG.2

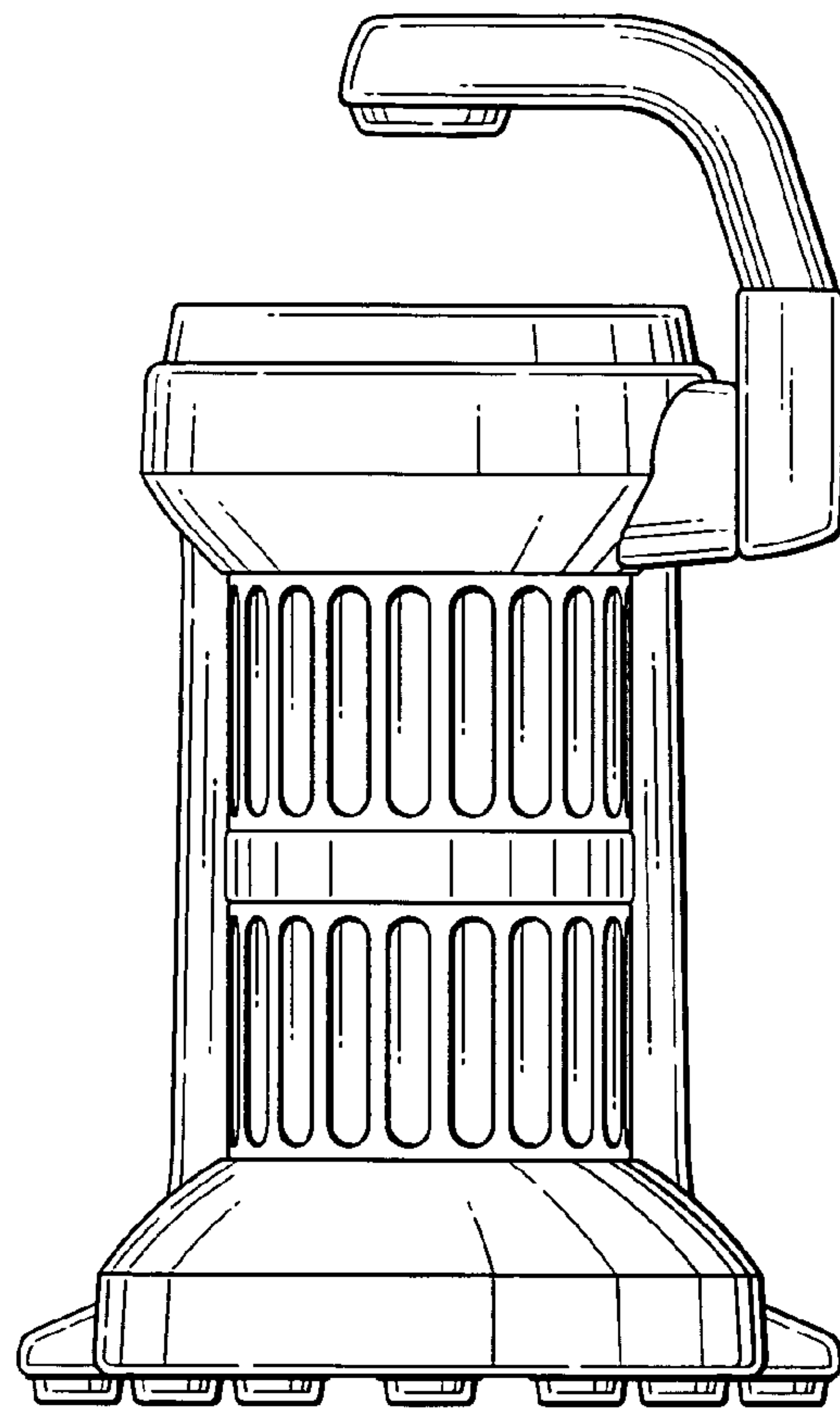


FIG.3

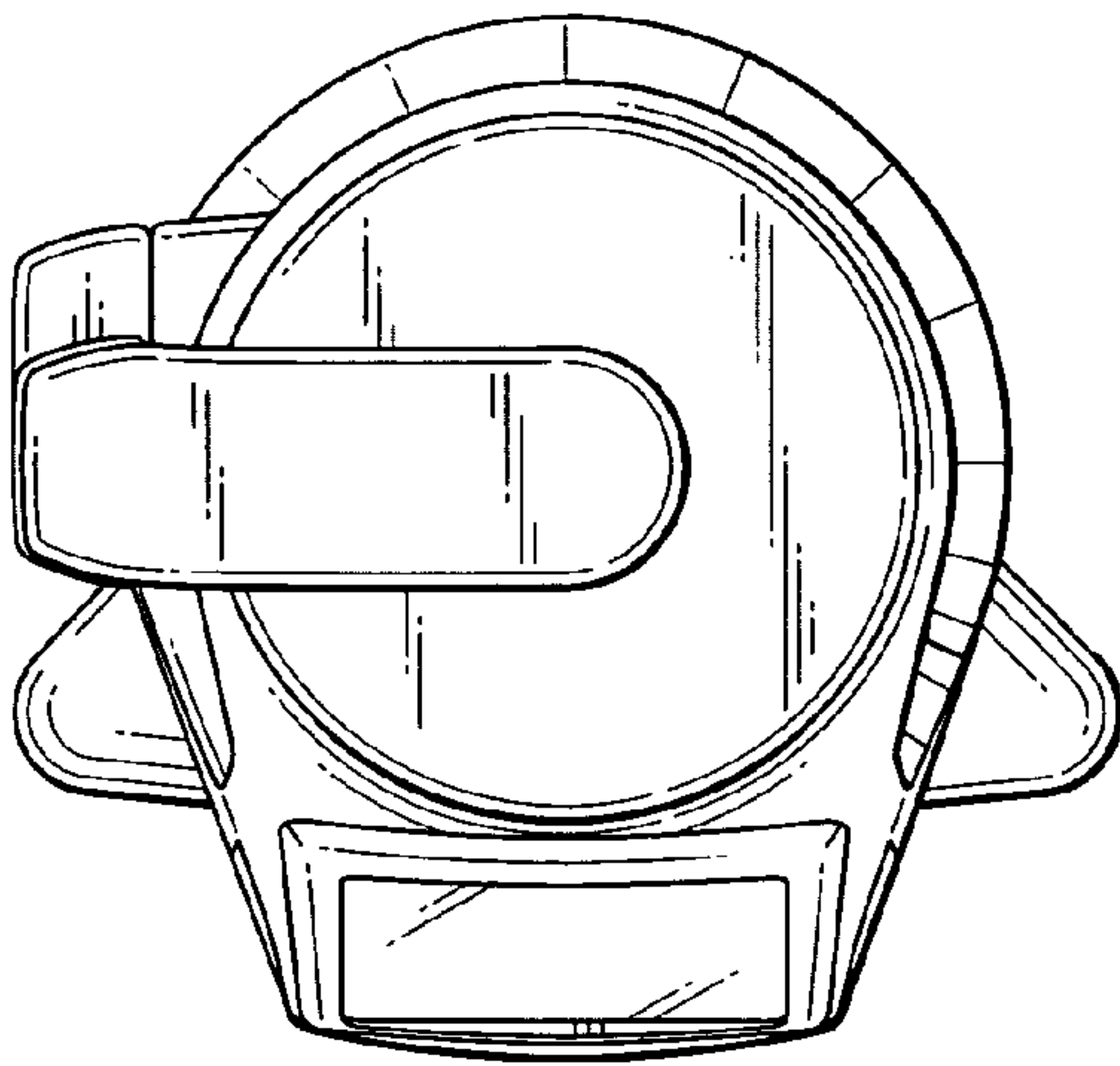


FIG. 4

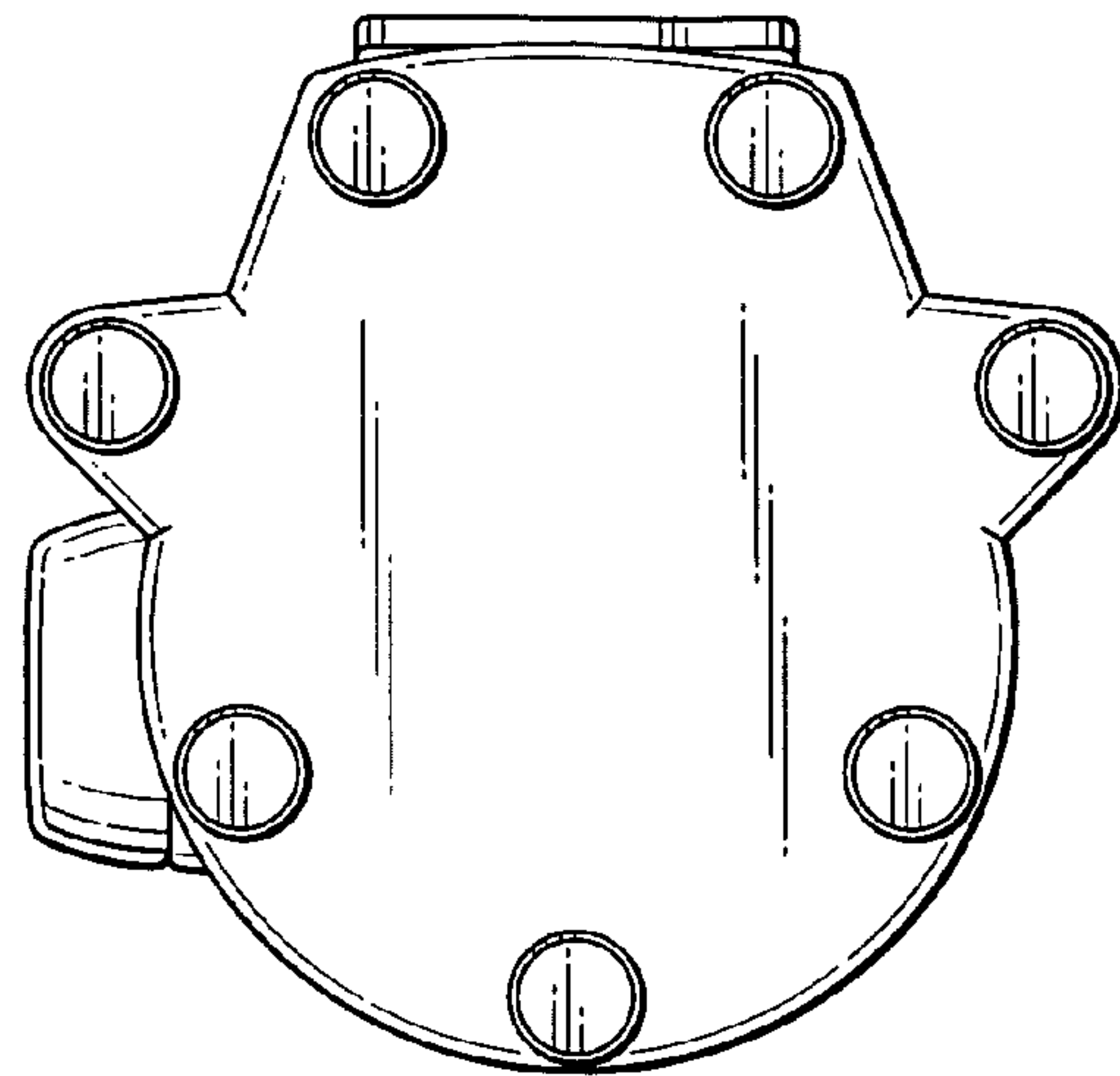


FIG. 5

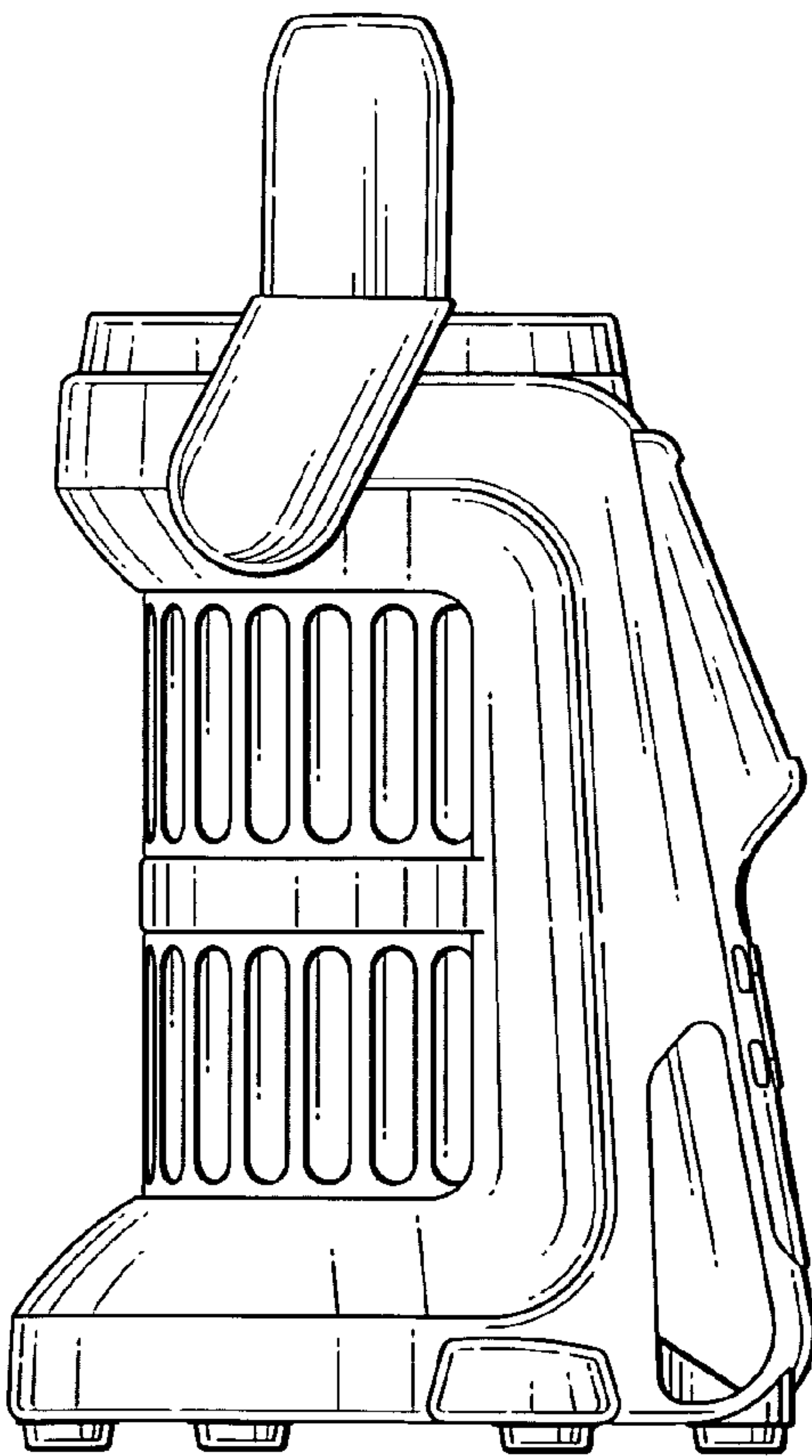


FIG. 6

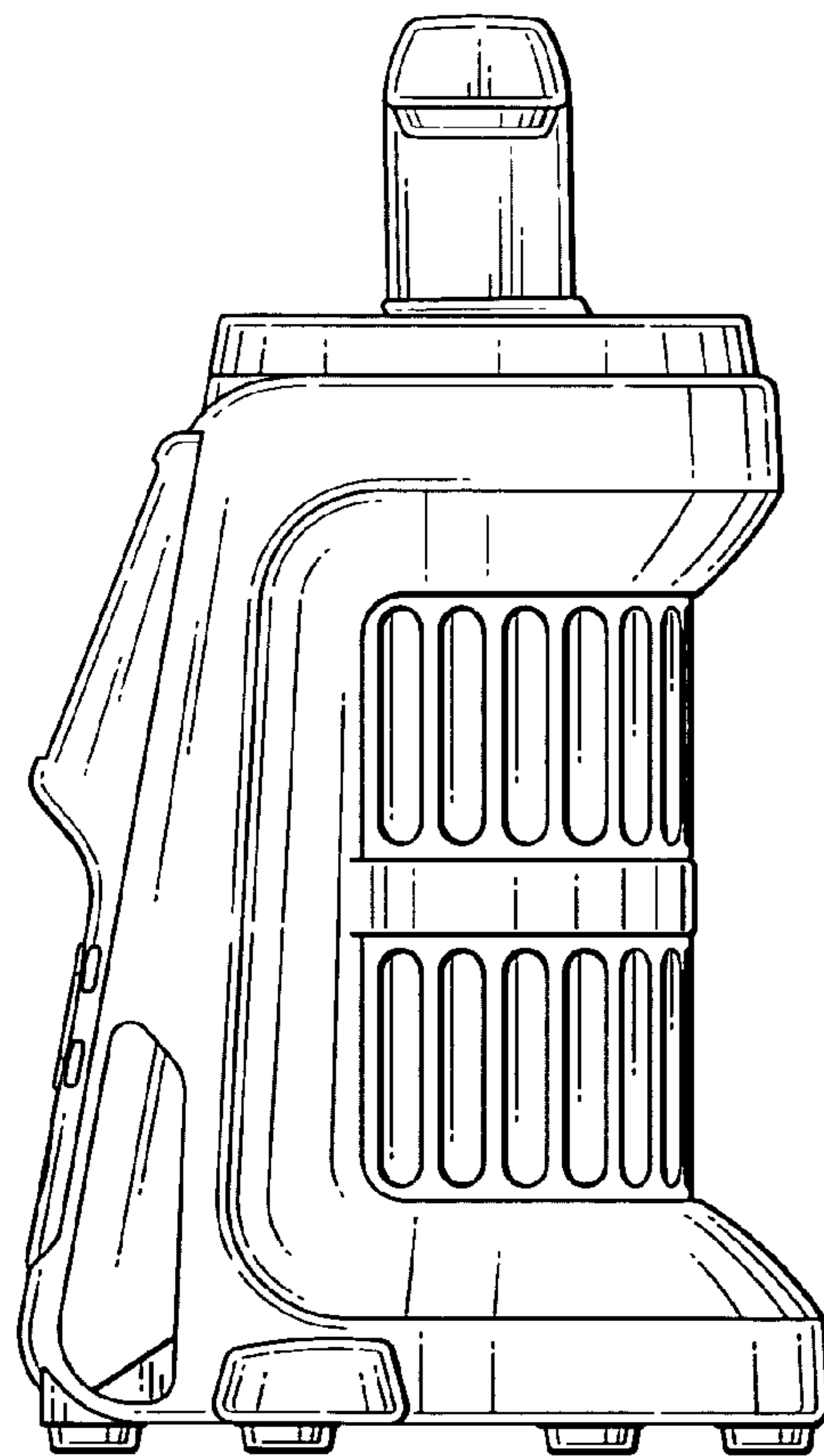


FIG. 7

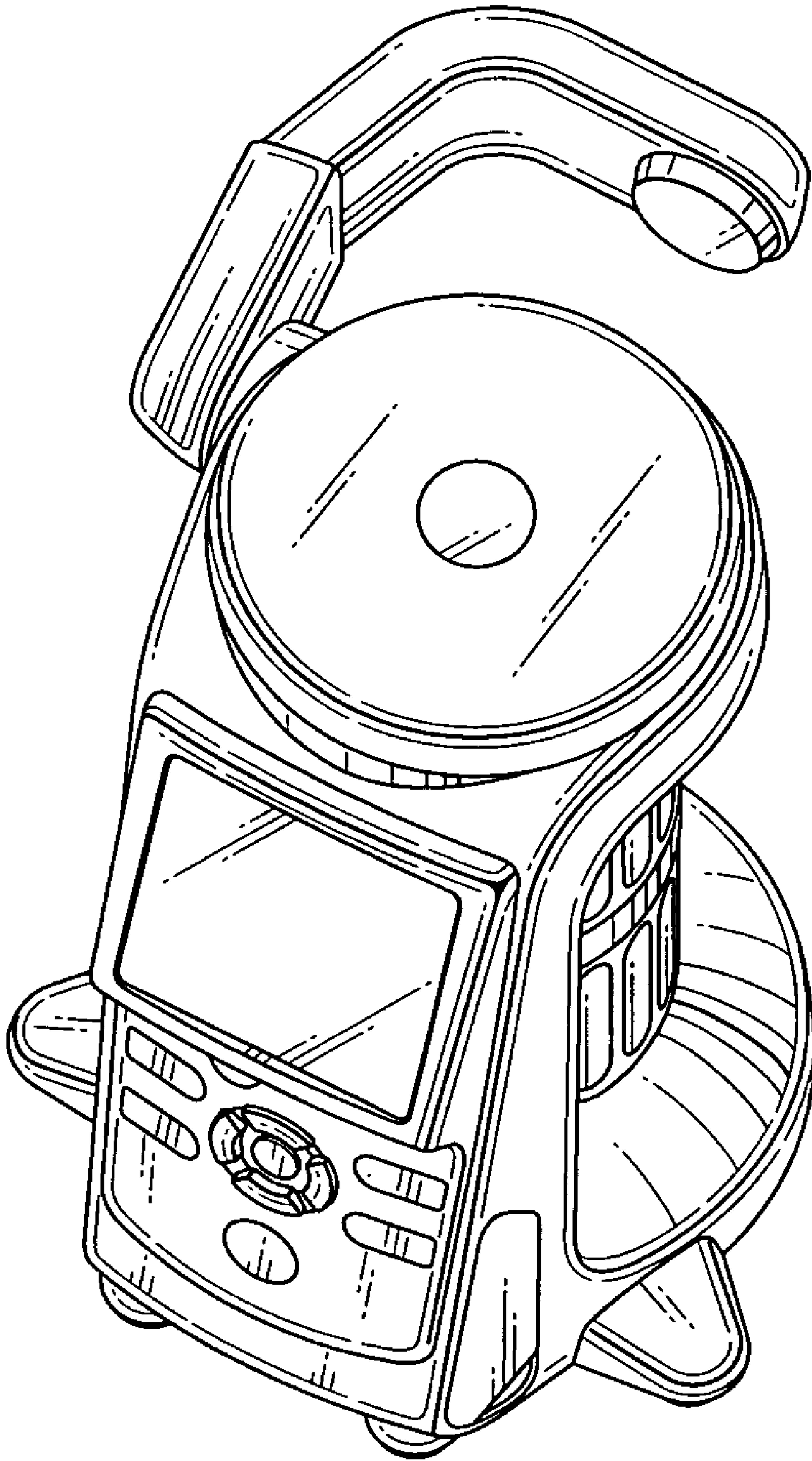


FIG.8

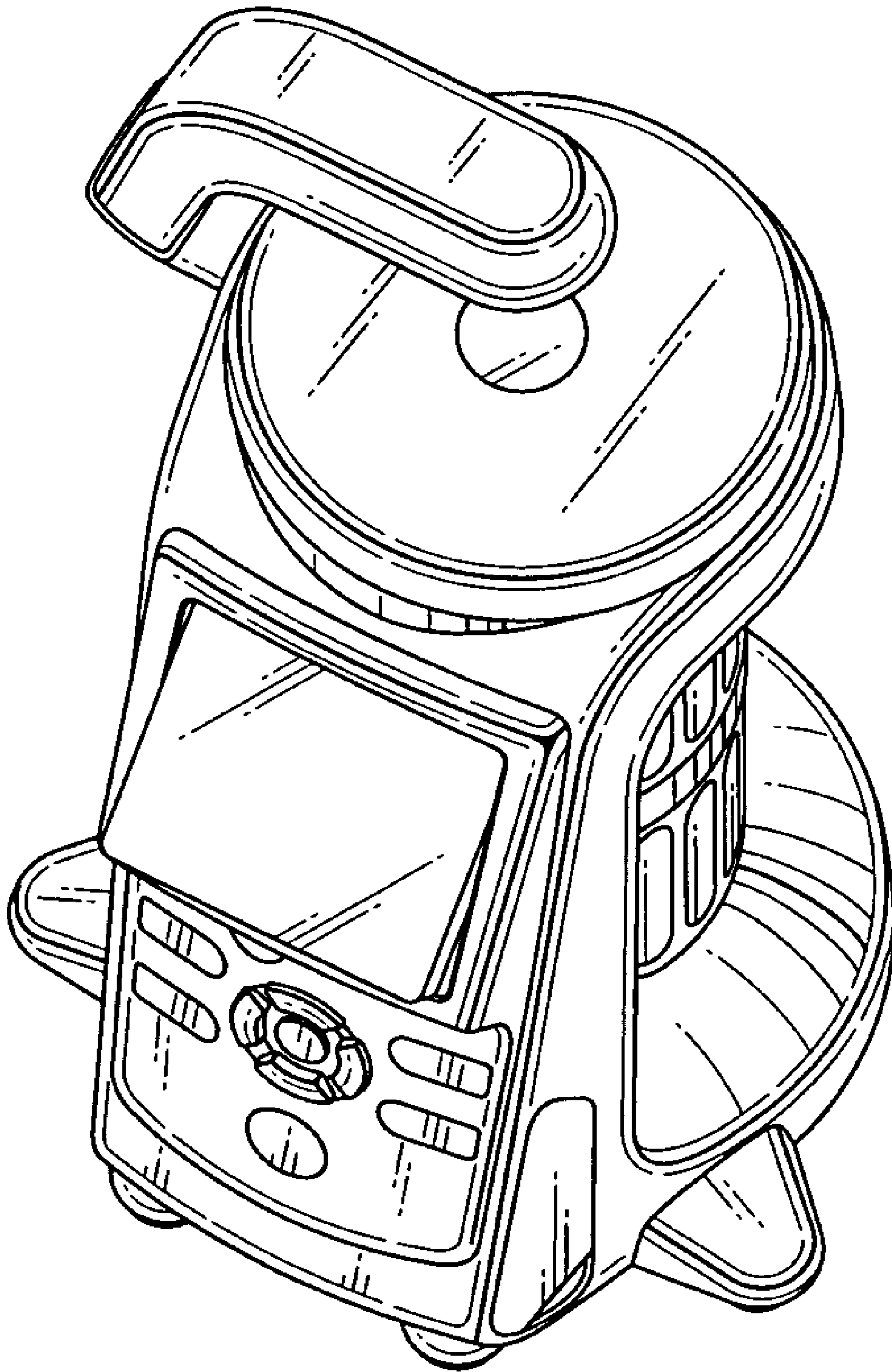


FIG.9

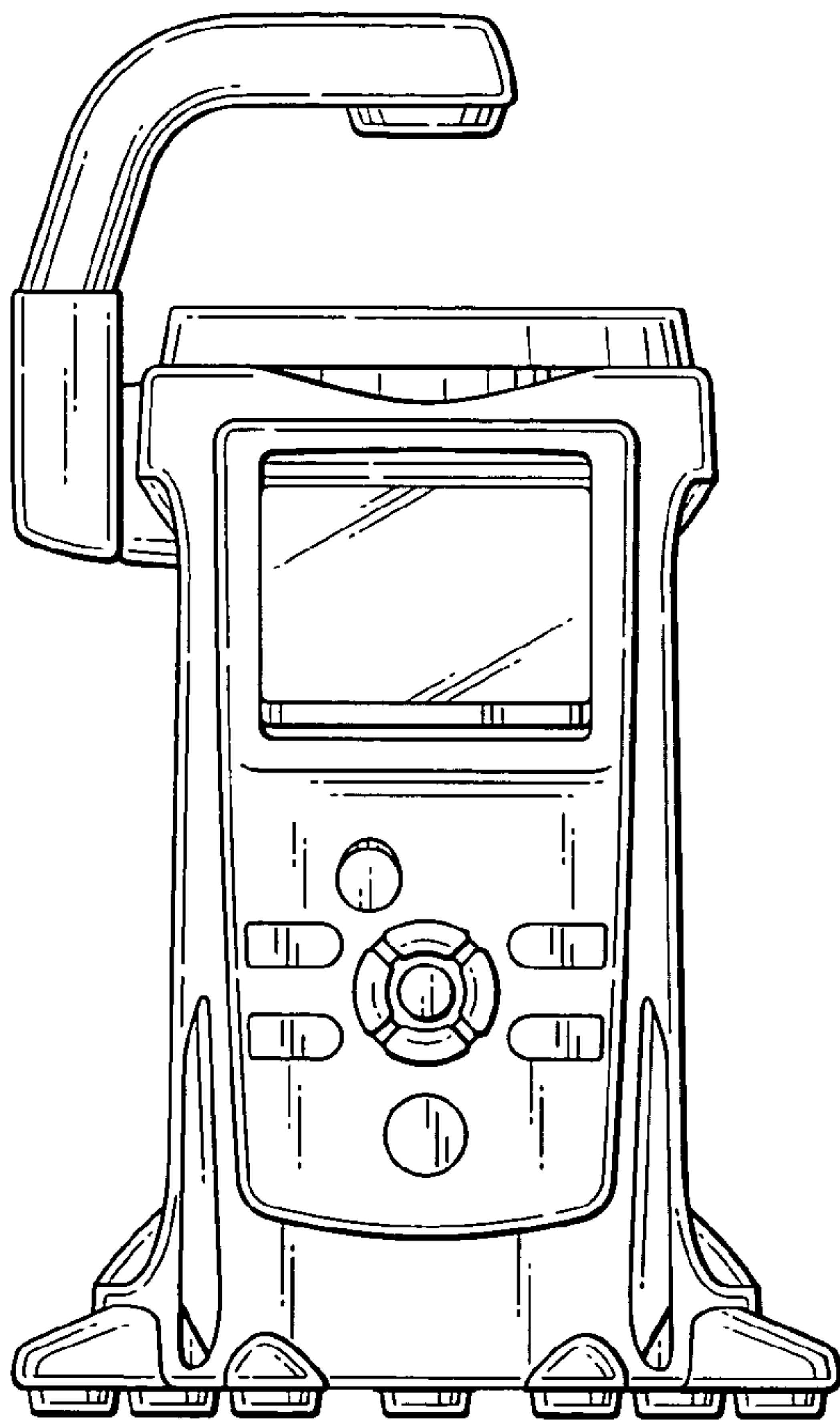


FIG.10

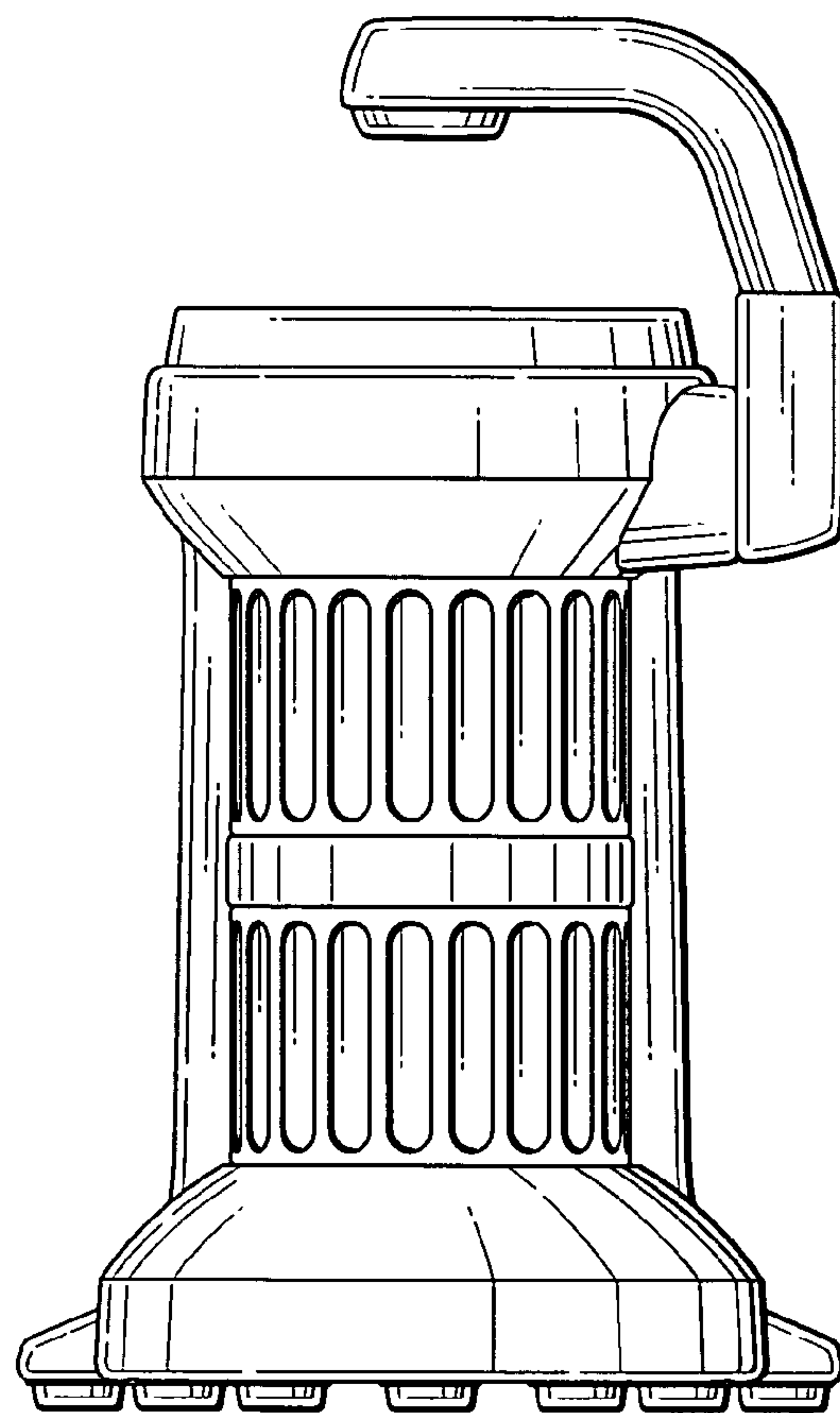


FIG.11

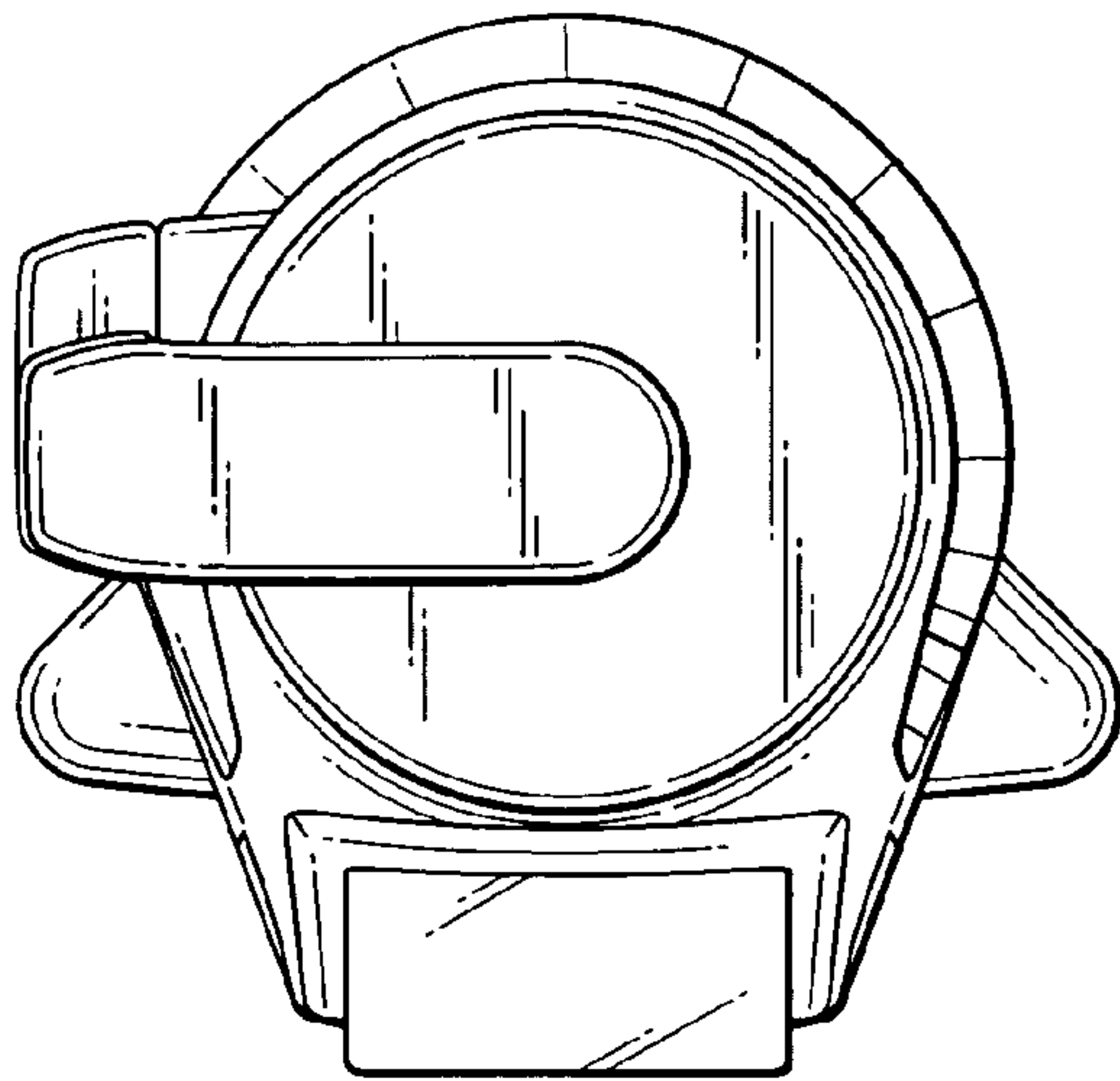


FIG. 12

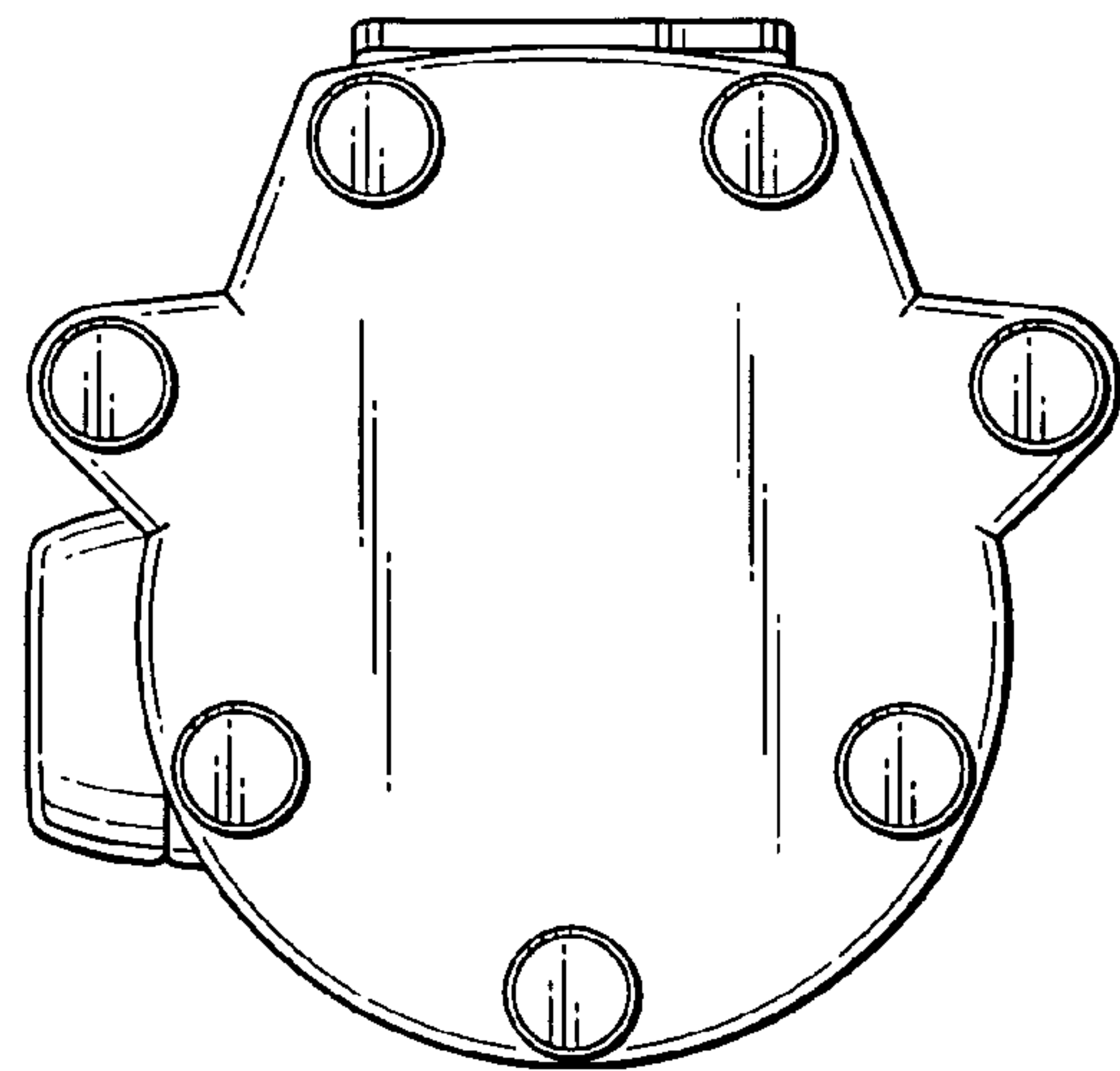


FIG. 13

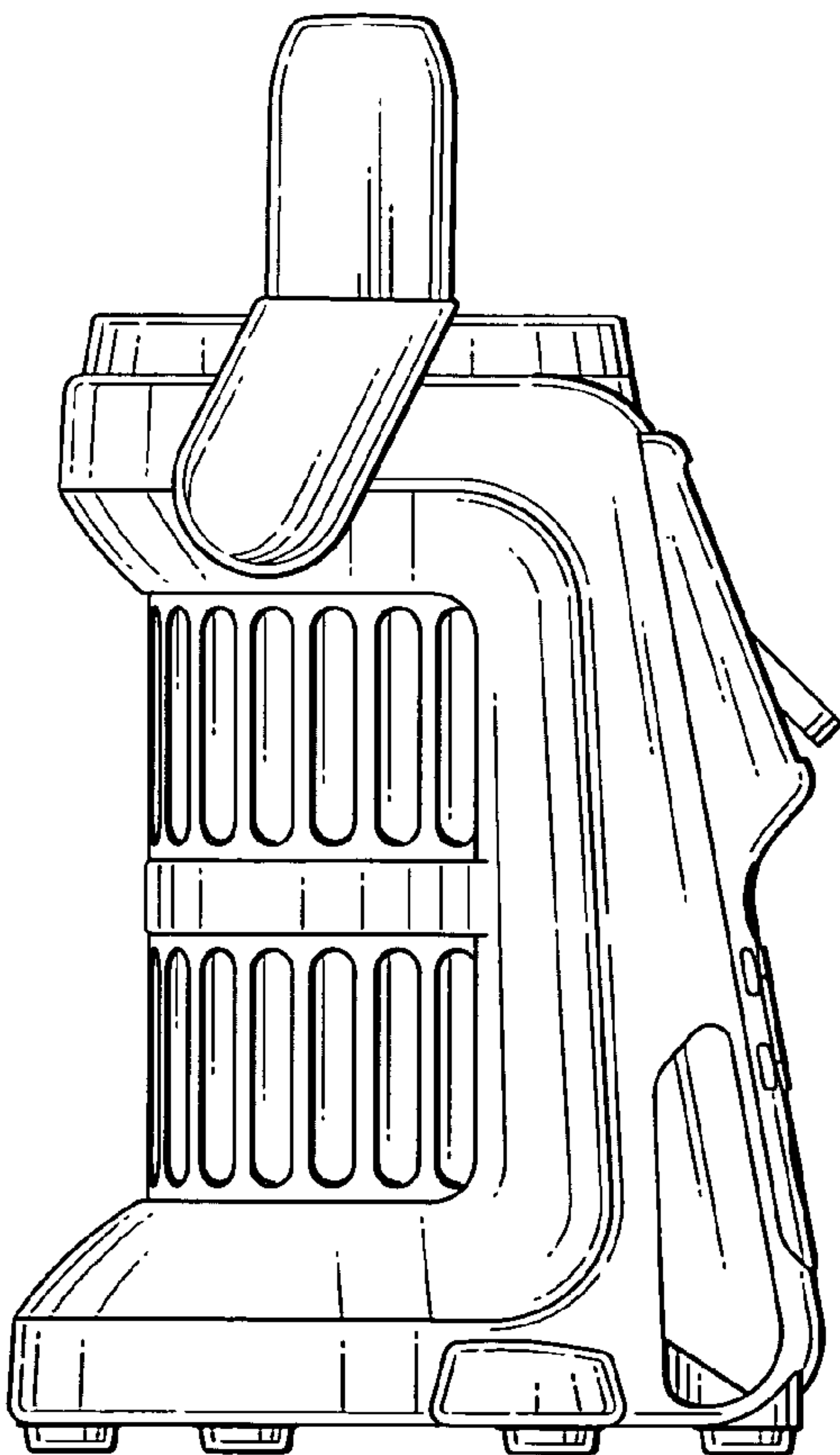


FIG. 14

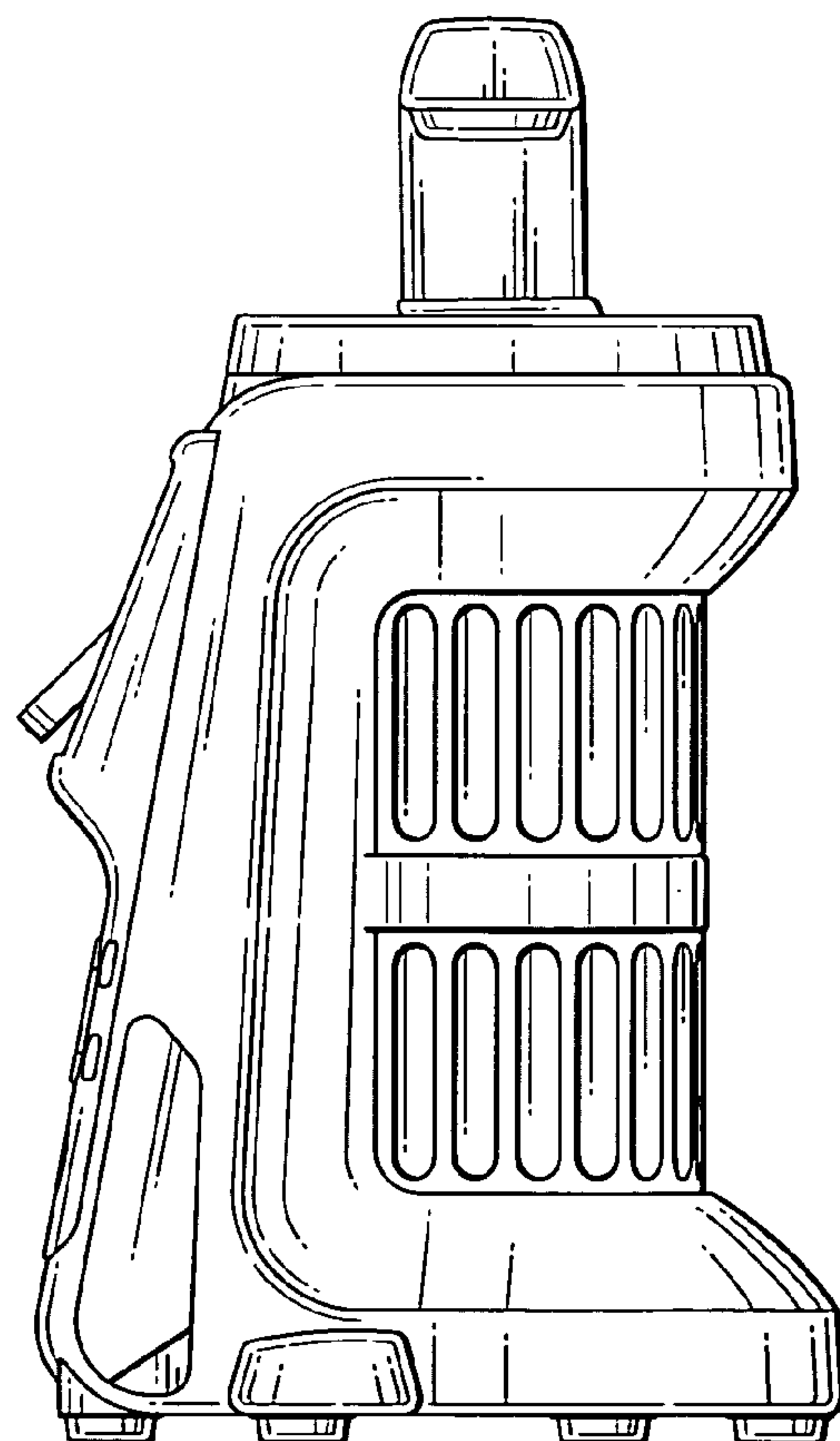


FIG. 15

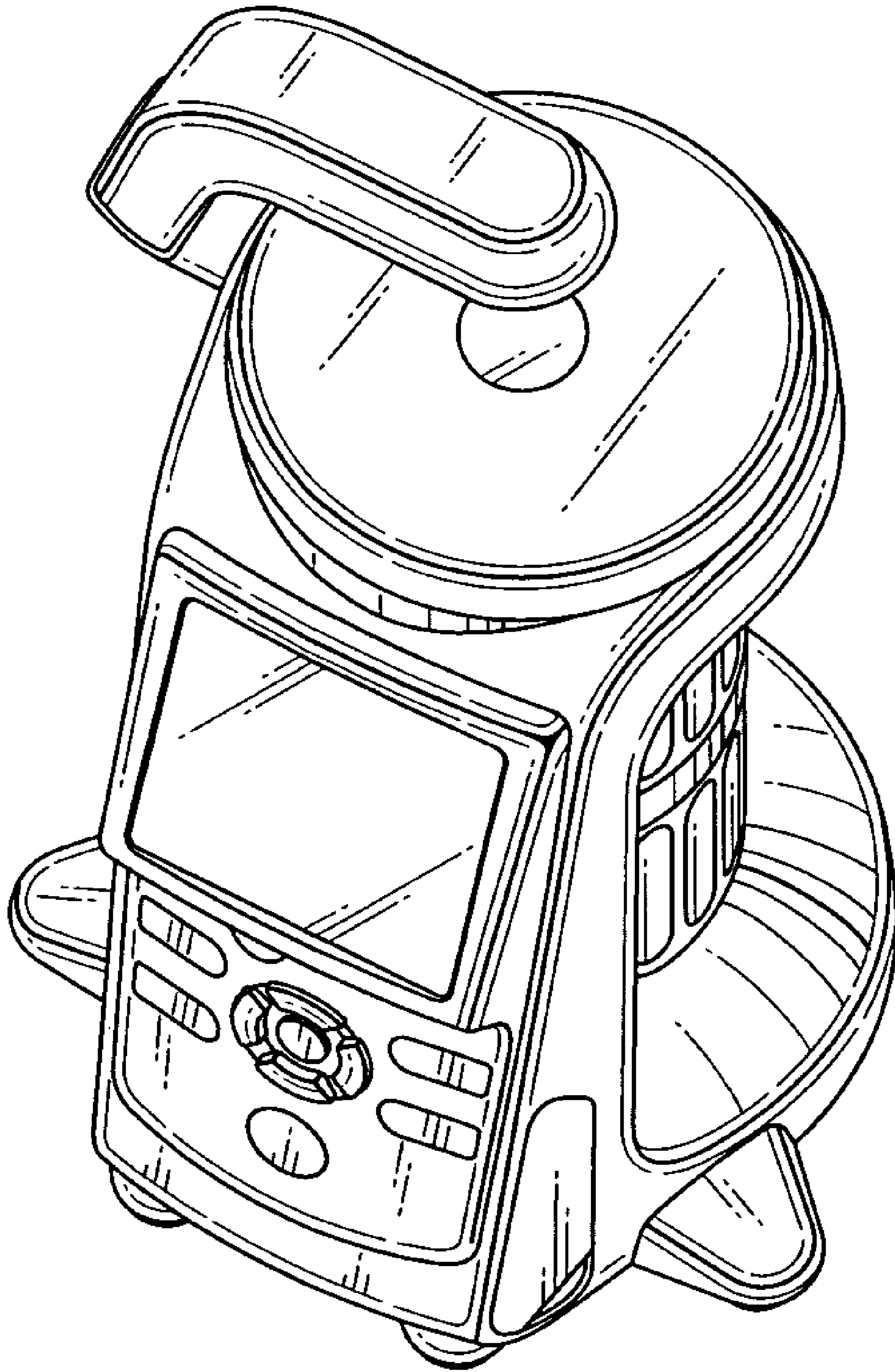


FIG. 16

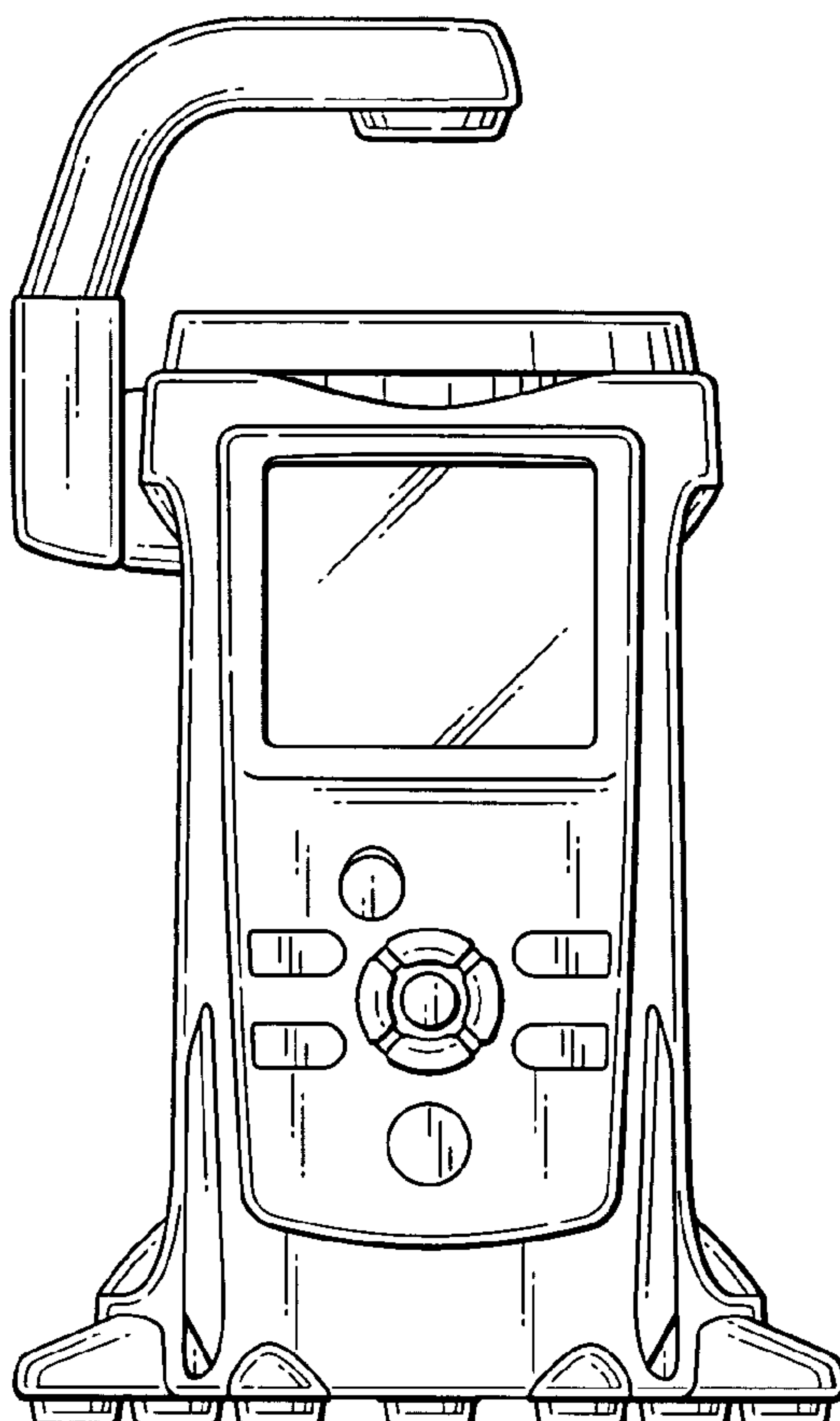


FIG.17

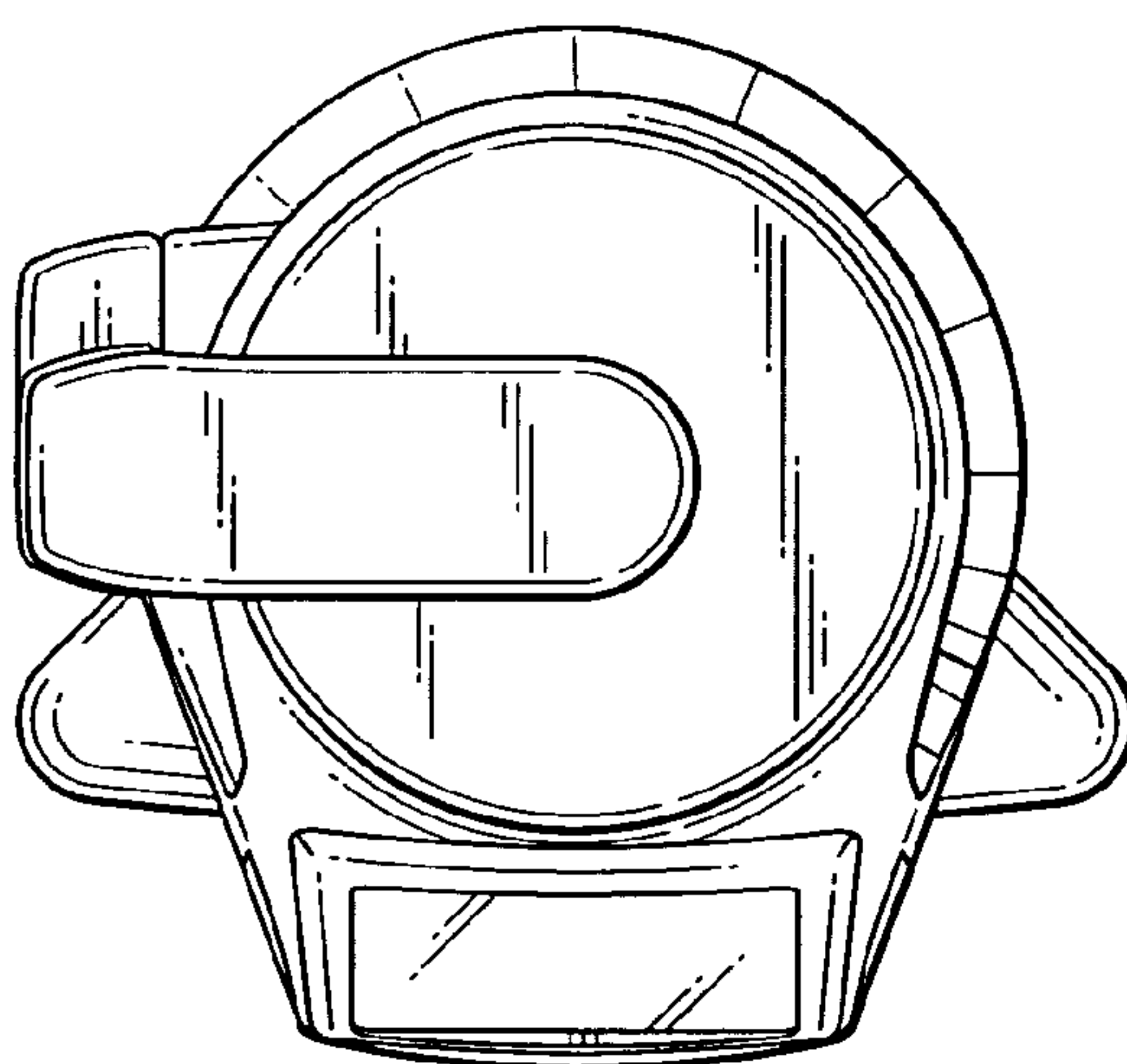


FIG.18

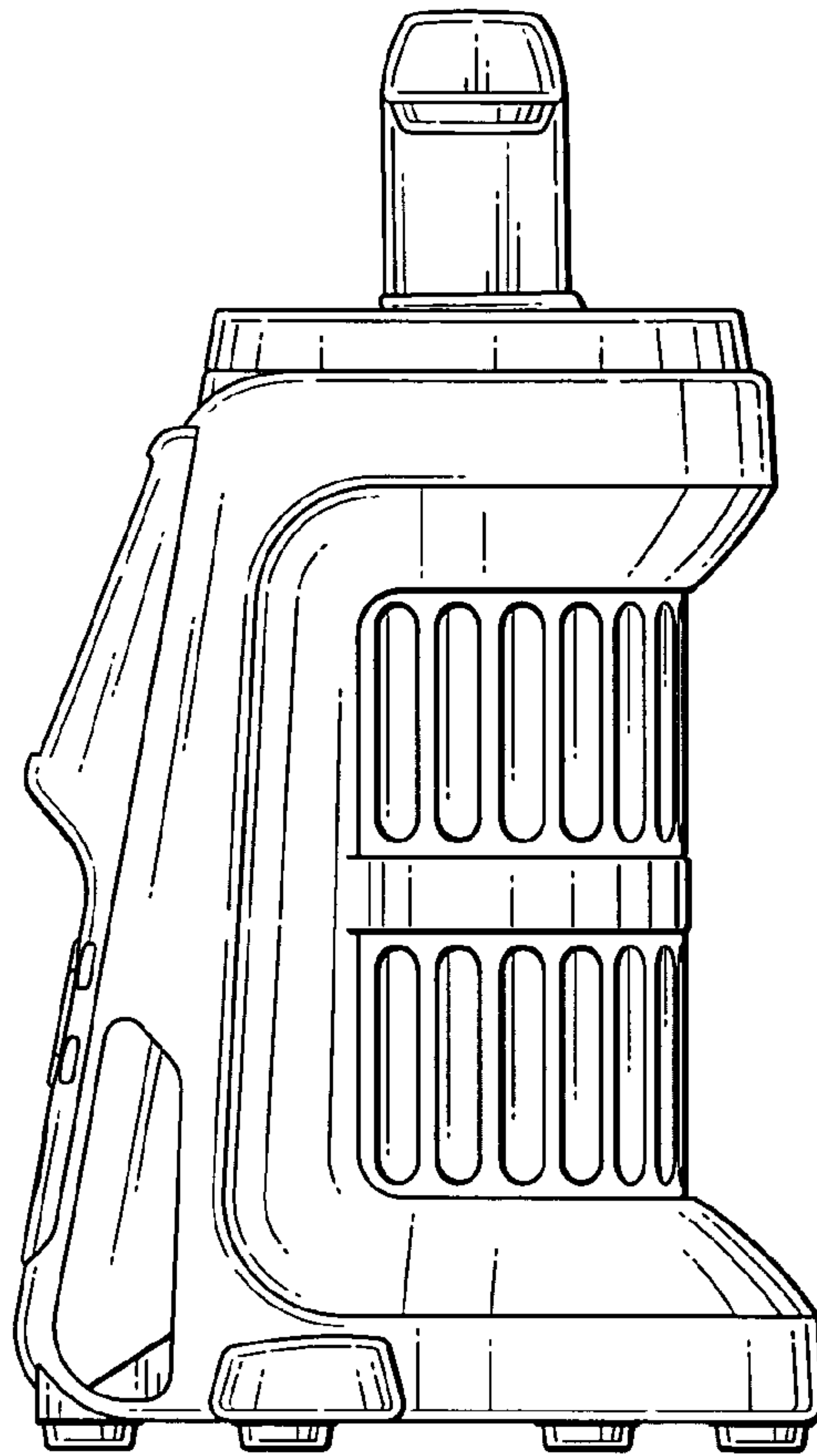


FIG. 19

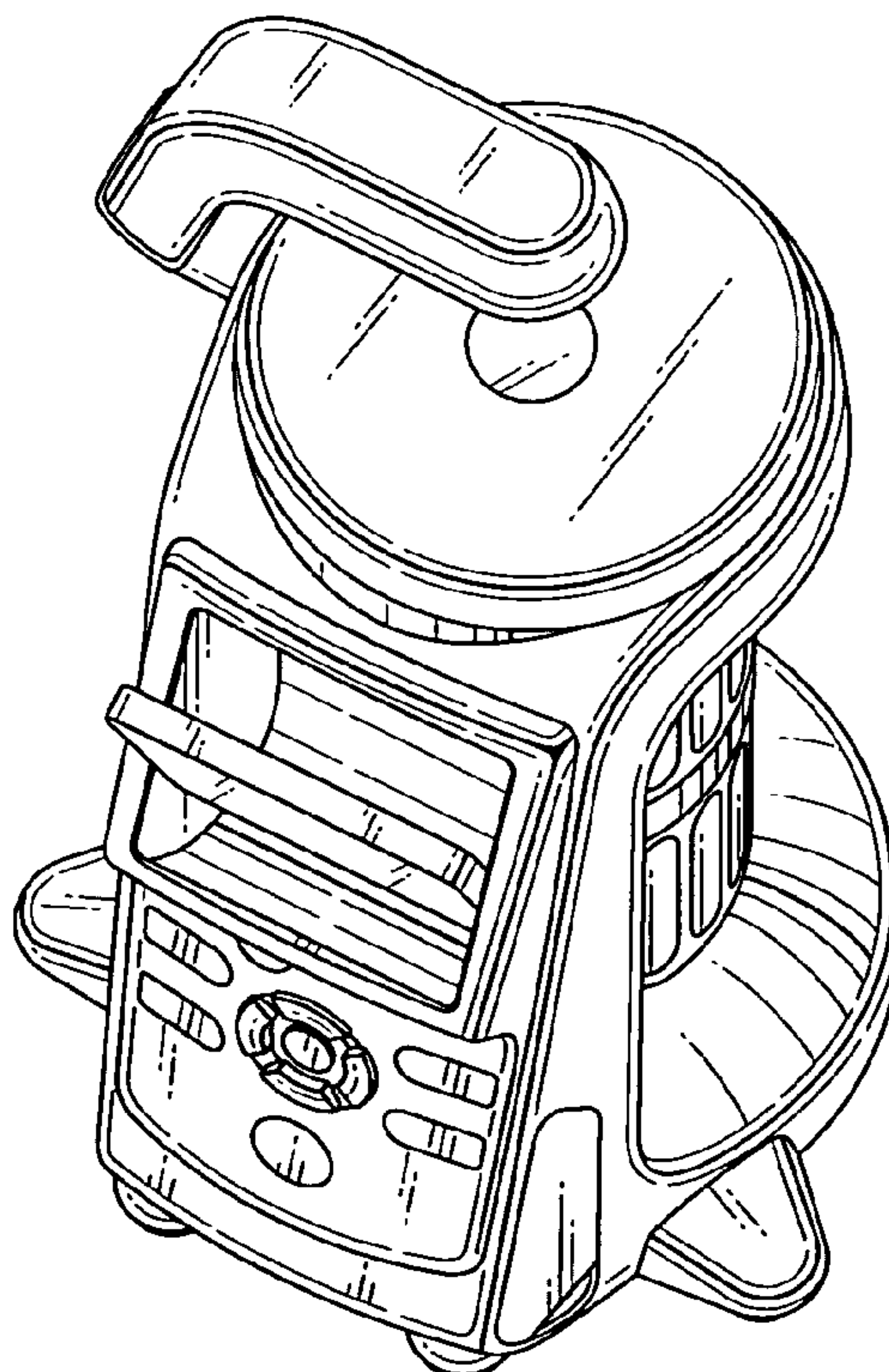


FIG. 20