



US00D595324S

(12) **United States Design Patent**
Wu

(10) **Patent No.:** **US D595,324 S**
(45) **Date of Patent:** **** Jun. 30, 2009**

(54) **TABLE SAW CART**

(75) Inventor: **San Ching Wu**, Taipei County (TW)

(73) Assignee: **Super Made Products Co., Ltd.**,
Sindien, Taipei County (TW)

(**) Term: **14 Years**

(21) Appl. No.: **29/309,940**

(22) Filed: **Nov. 18, 2008**

(51) **LOC (9) Cl.** **15-09**

(52) **U.S. Cl.** **D15/141**

(58) **Field of Classification Search** D6/400;
D15/133, 134, 140, 141; 83/471.1-471.3,
83/477.2; 144/285, 286.1-286.5, 287
See application file for complete search history.

(56) **References Cited**

U.S. PATENT DOCUMENTS

D357,140 S *	4/1995	Hollinger	D6/400
D519,747 S *	5/2006	Wu	D6/400
D523,041 S *	6/2006	Wise	D15/141
D527,200 S *	8/2006	Wu	D6/400
D529,252 S *	9/2006	Wu	D34/24

D566,735 S *	4/2008	Wise	D15/141
2006/0038383 A1 *	2/2006	Wu	280/652
2006/0076756 A1 *	4/2006	Wu	280/652

* cited by examiner

Primary Examiner—Sandra Snapp

Assistant Examiner—Patricia Palasik

(74) *Attorney, Agent, or Firm*—Bacon & Thomas, PLLC

(57) **CLAIM**

The ornamental design for a table saw cart, as shown and described.

DESCRIPTION

FIG. 1 is a left side perspective view of a table saw cart, showing my new design;

FIG. 2 is a front view thereof;

FIG. 3 is a rear view thereof;

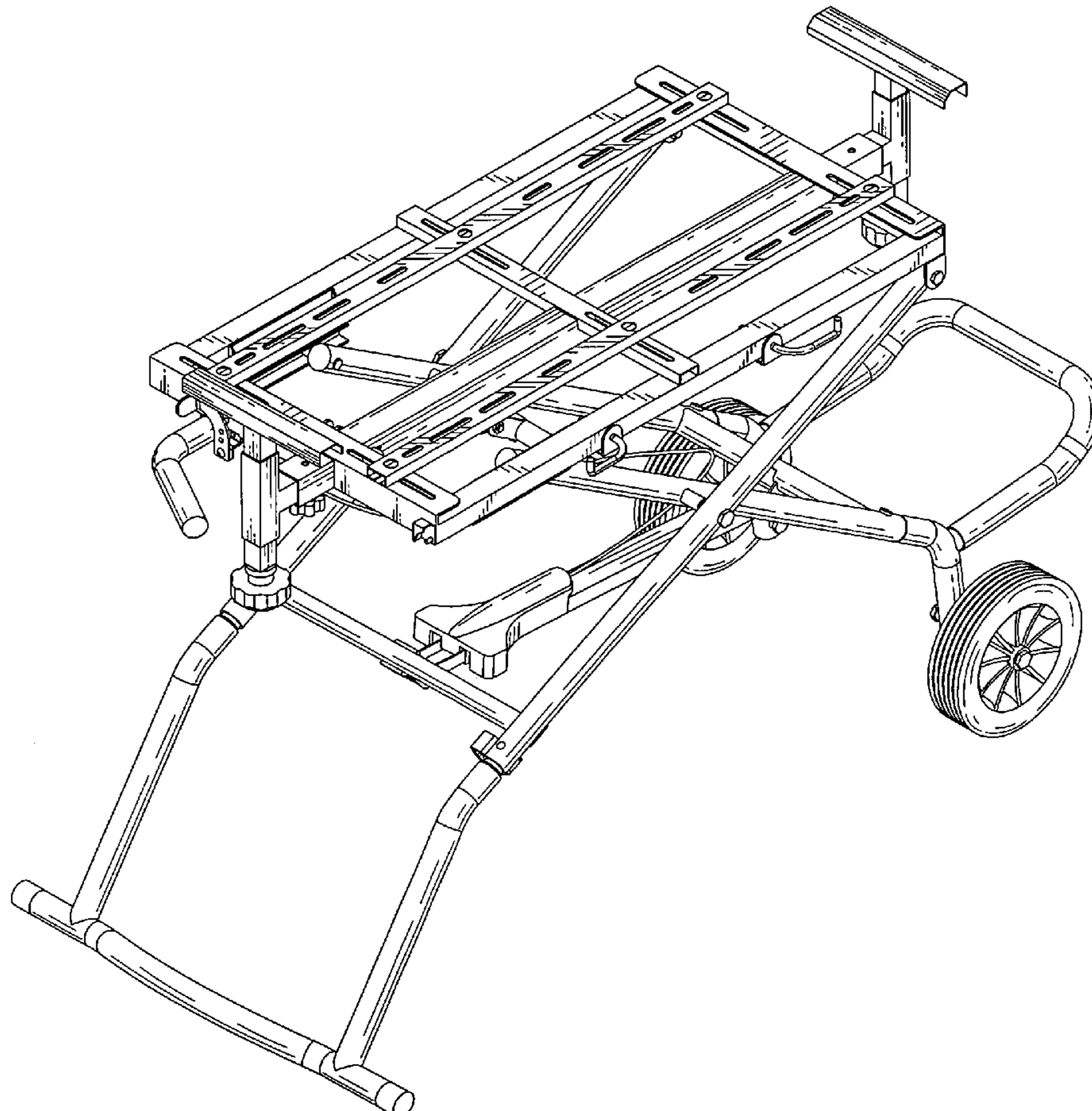
FIG. 4 is a left side view thereof;

FIG. 5 is a right side view thereof;

FIG. 6 is a top plan view thereof; and,

FIG. 7 is a bottom plan view thereof.

1 Claim, 7 Drawing Sheets



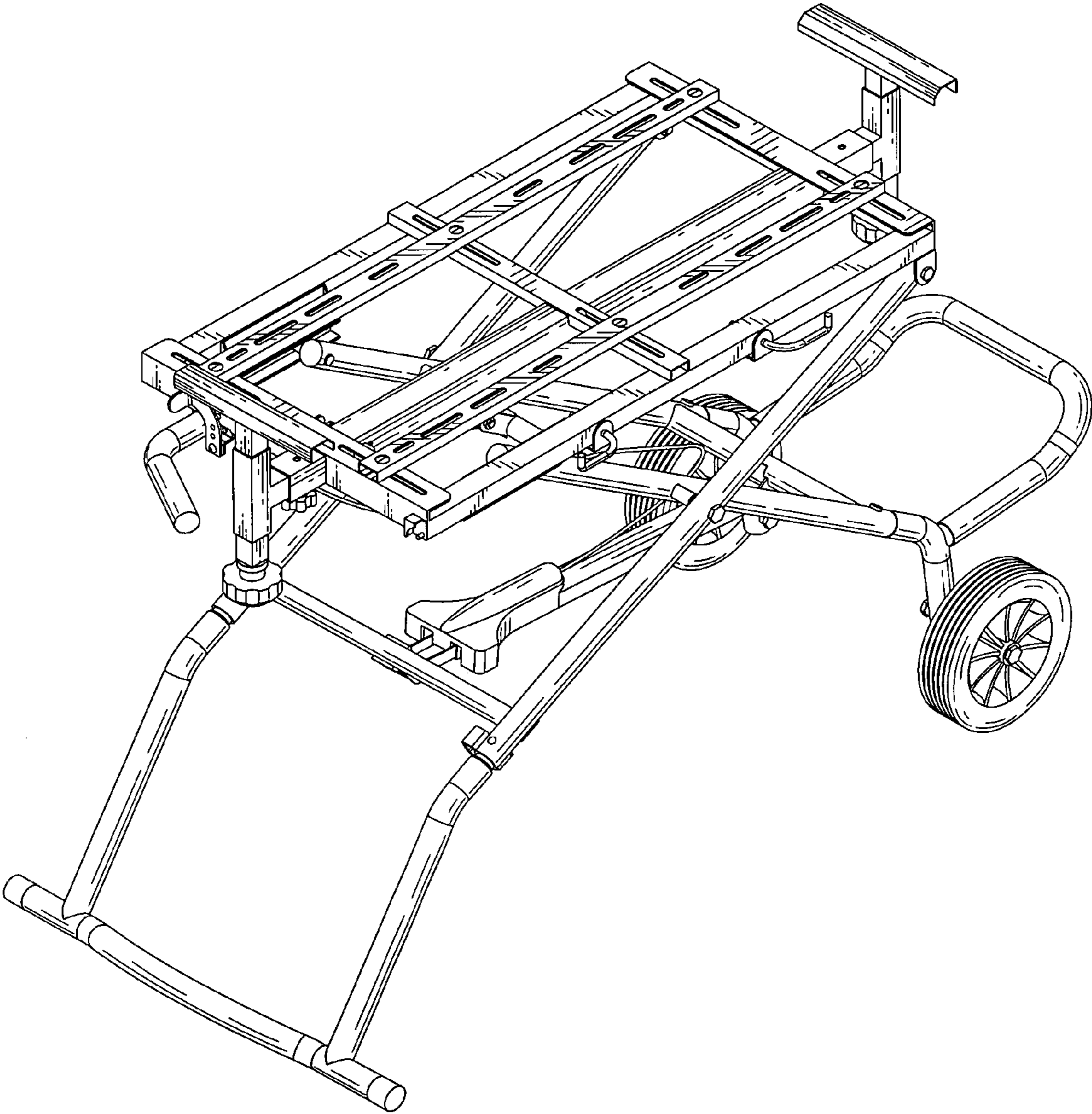


FIG. 1

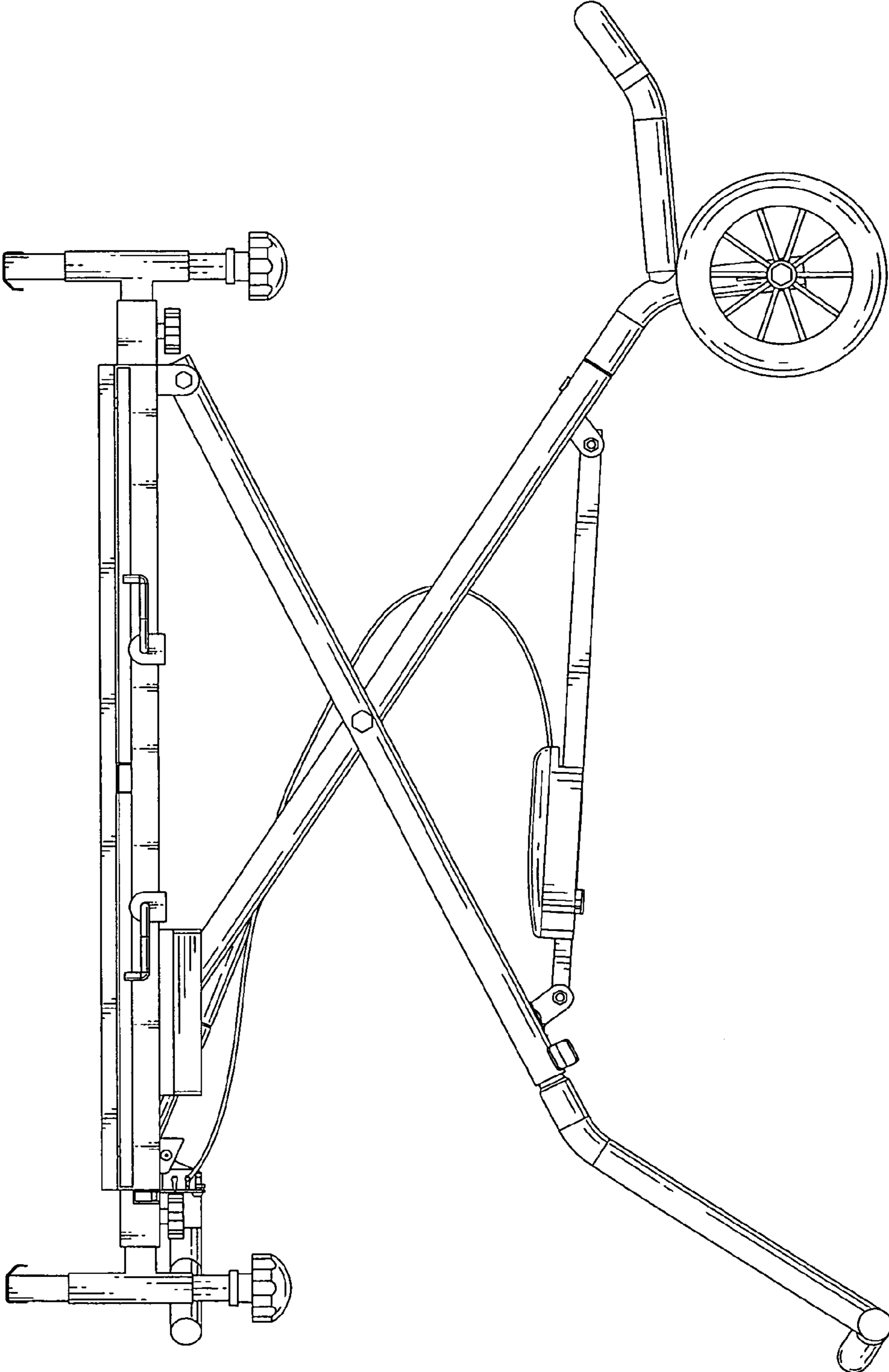


FIG. 2

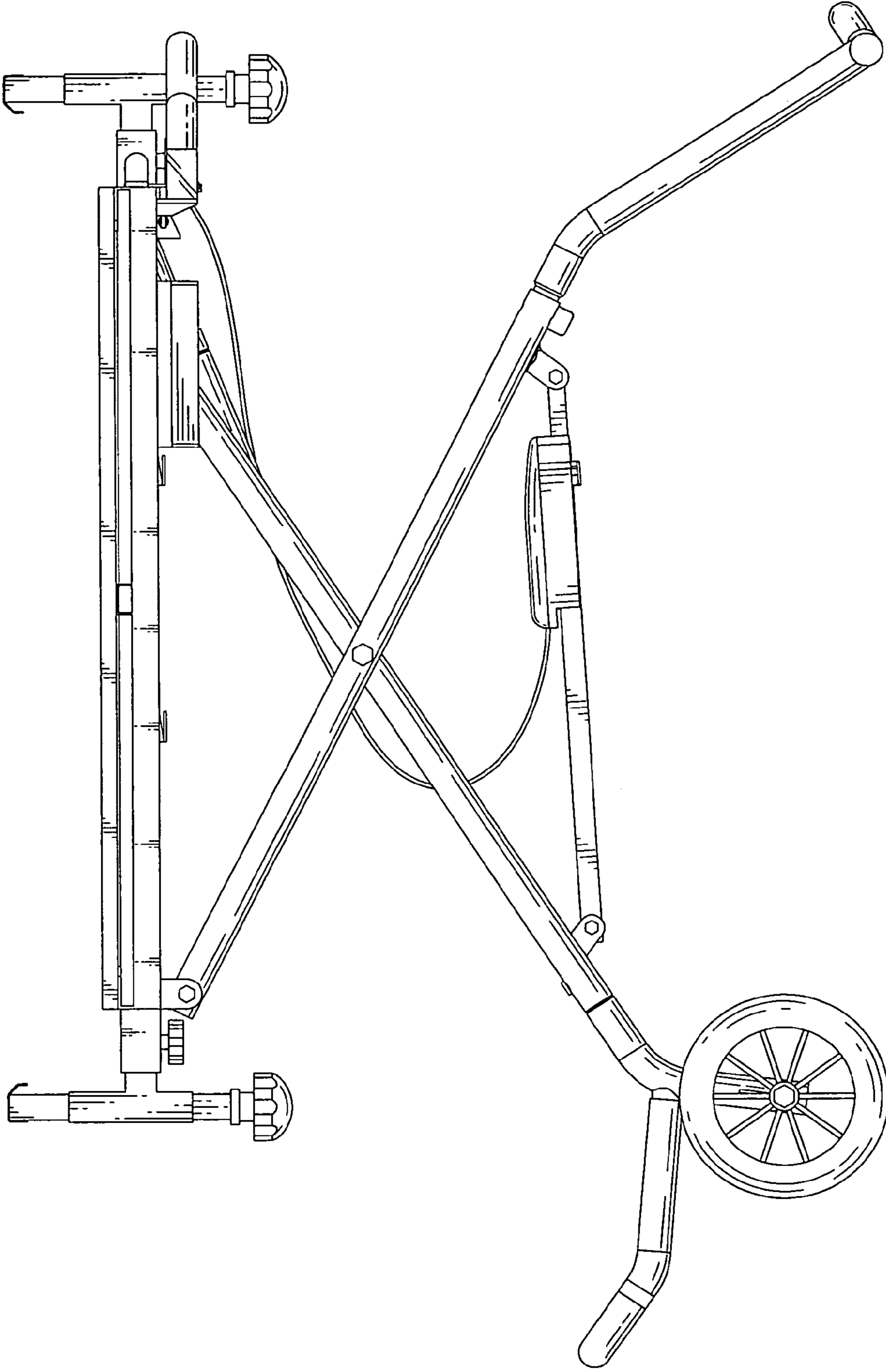


FIG. 3

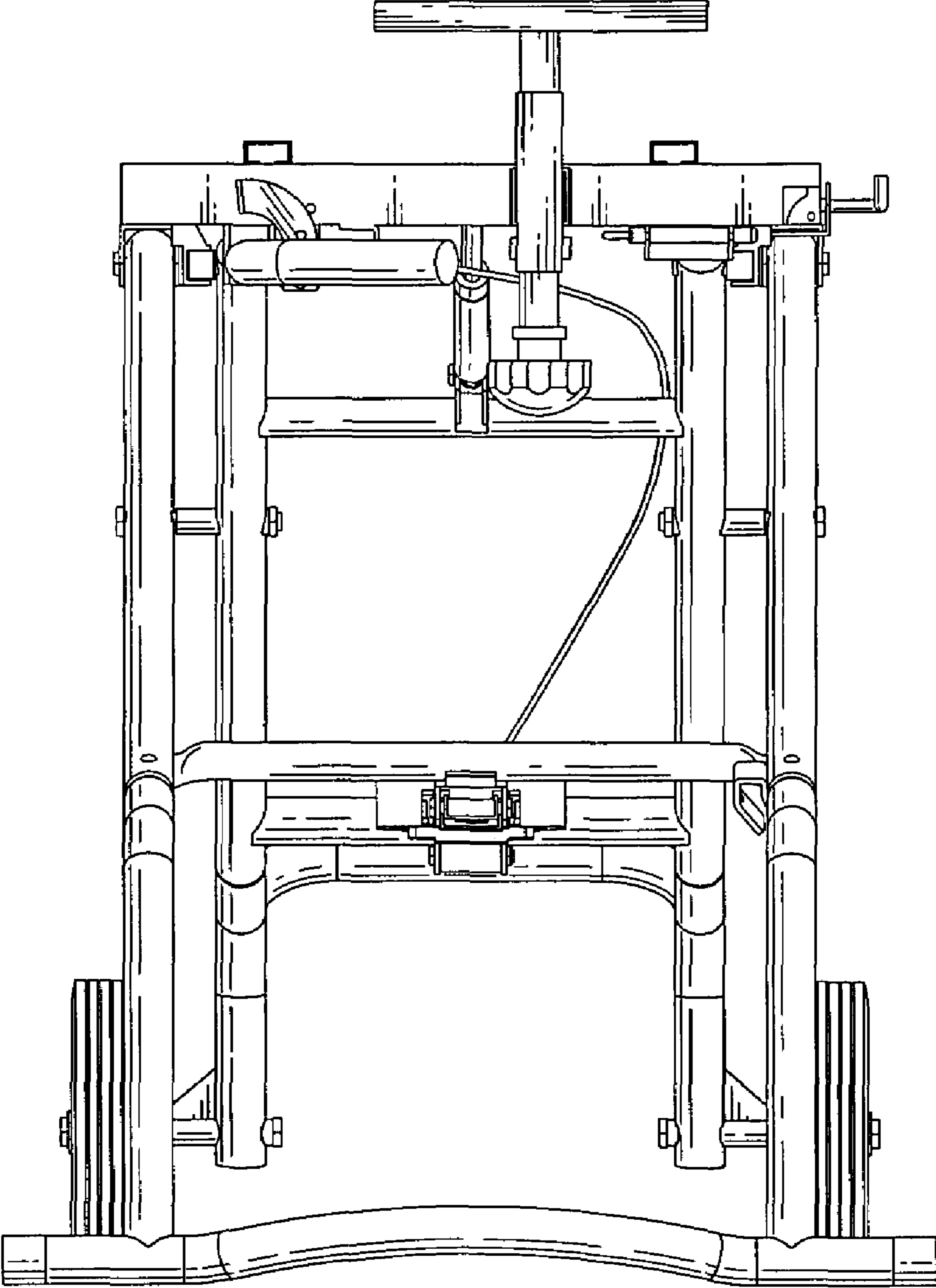


FIG. 4

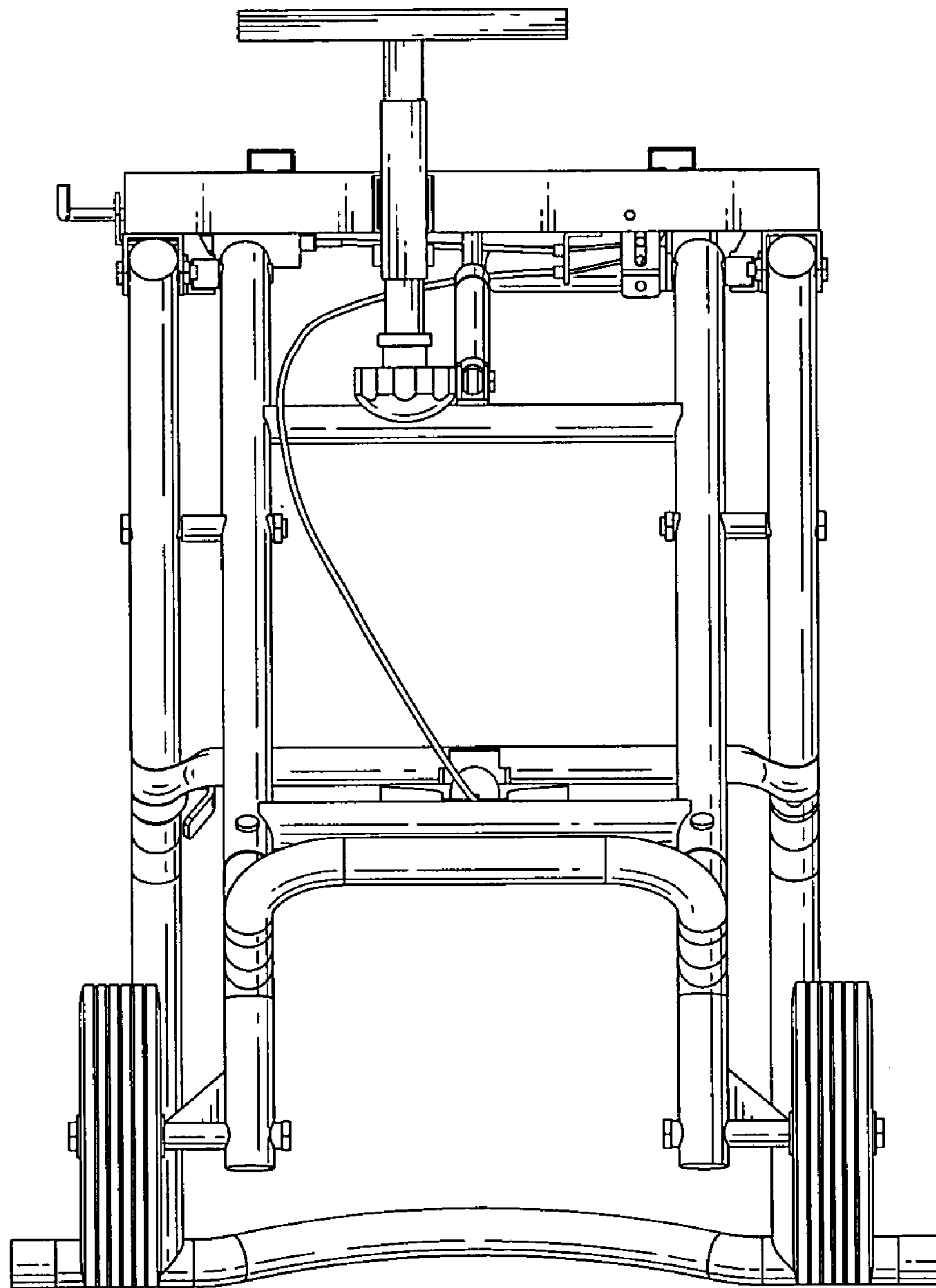


FIG. 5

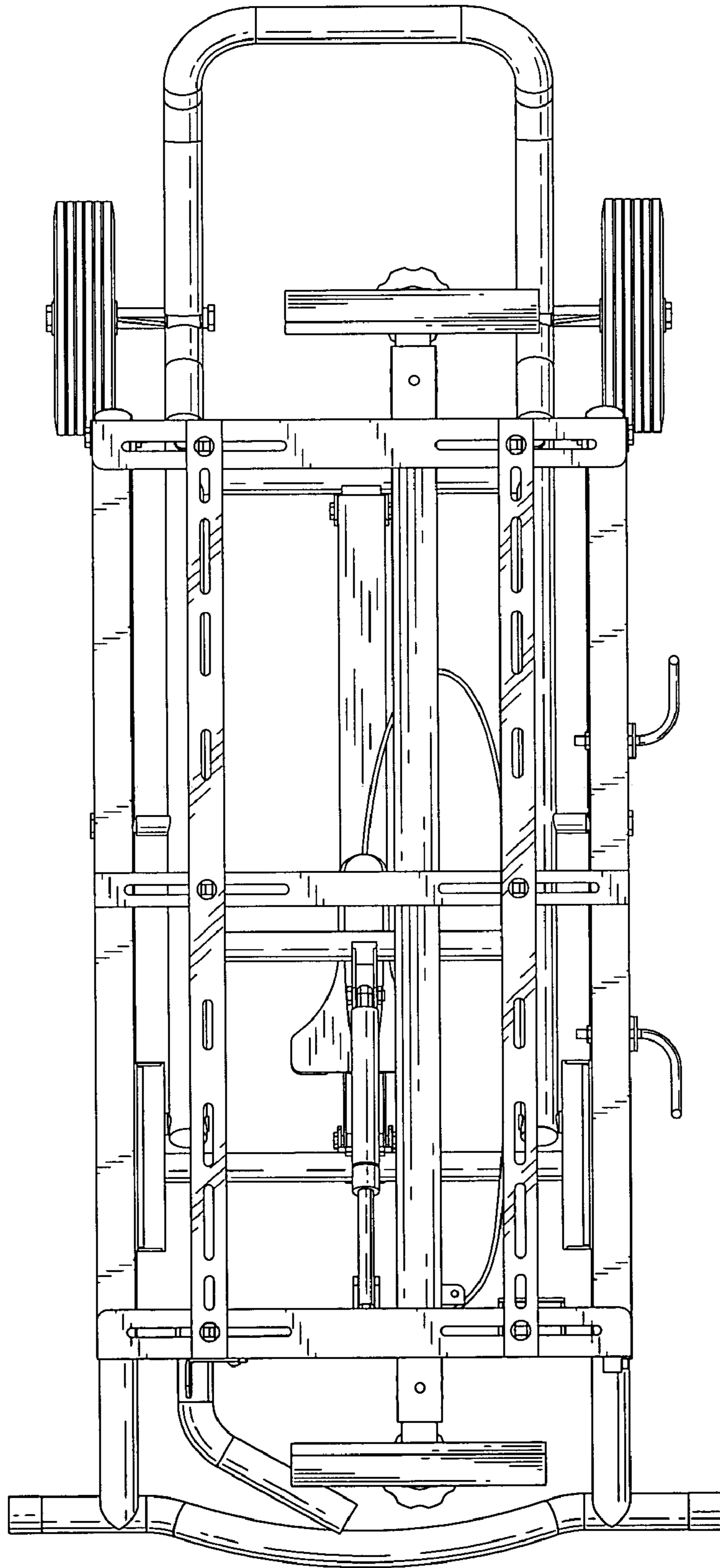


FIG. 6

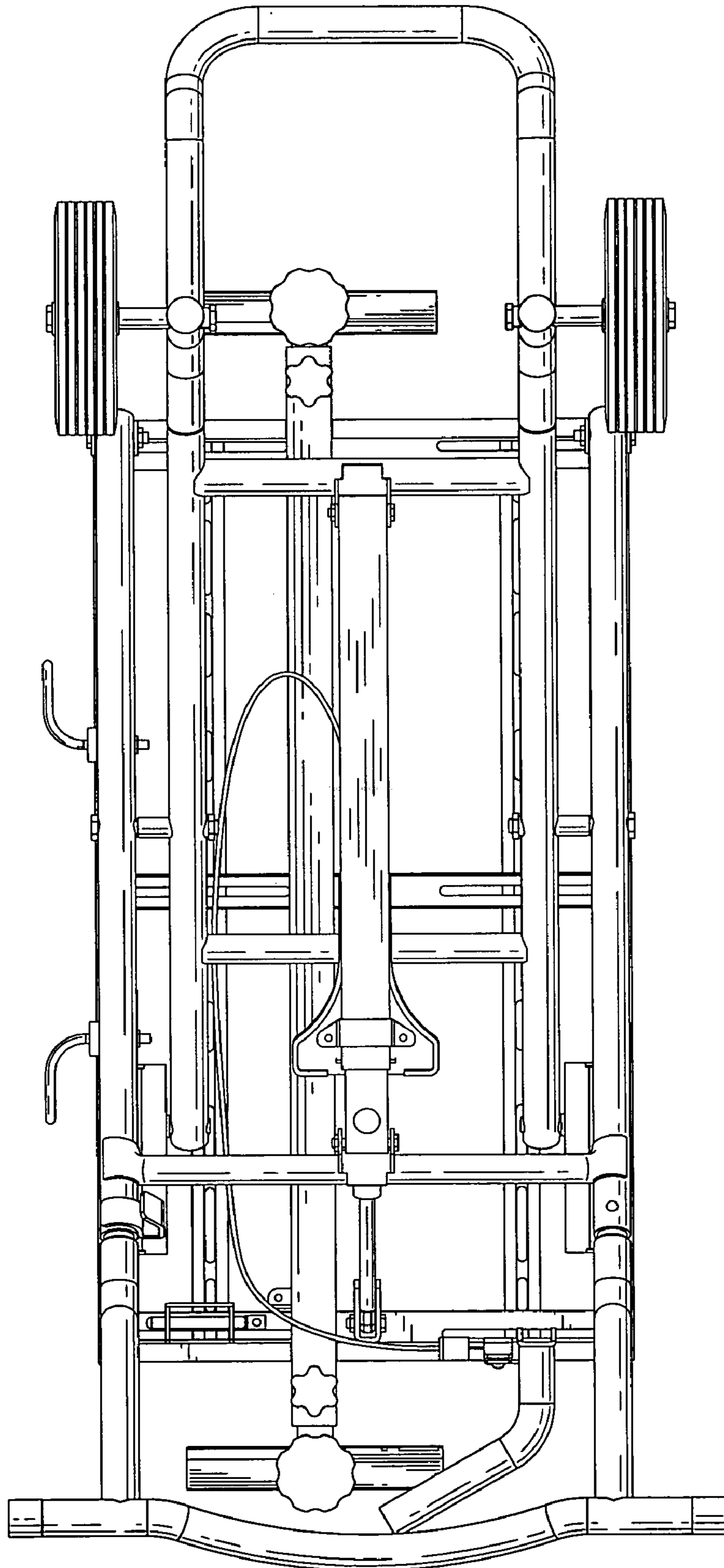


FIG. 7