



US00D595322S

(12) **United States Design Patent**
Sakata et al.

(10) **Patent No.:** **US D595,322 S**
(45) **Date of Patent:** **** Jun. 30, 2009**

(54) **THROWAWAY INSERT FOR METAL CUTTING TOOL**

2005/0214081 A1* 9/2005 Satran et al. 407/113
2007/0257544 A1* 11/2007 Baker et al. 299/81.2
2008/0003067 A1* 1/2008 Ejderklint et al. 407/40

(75) Inventors: **Naoki Sakata**, Hyogo (JP); **Shinya Uesaka**, Hyogo (JP); **Takuichiro Tayama**, Hyogo (JP); **Yasuyuki Kanada**, Hyogo (JP); **Keiji Kinoshita**, Hyogo (JP); **Hiroki Yonekura**, Hyogo (JP)

* cited by examiner

Primary Examiner—Sandra Snapp
Assistant Examiner—Patricia Palasik
(74) *Attorney, Agent, or Firm*—McDermott Will & Emery LLP

(73) Assignee: **Sumitomo Electric Hardmetal Corp.**, Hyogo (JP)

(57) **CLAIM**

(**) Term: **14 Years**

The ornamental design for a throwaway insert for a metal cutting tool, as shown and described.

(21) Appl. No.: **29/274,289**

DESCRIPTION

(22) Filed: **Apr. 11, 2007**

FIG. 1 is a perspective view of a throwaway insert for a metal cutting tool of a first embodiment;

(30) **Foreign Application Priority Data**

Oct. 12, 2006	(JP)	2006-027522
Oct. 12, 2006	(JP)	2006-027543
Oct. 12, 2006	(JP)	2006-027544
Oct. 12, 2006	(JP)	2006-027545
Oct. 12, 2006	(JP)	2006-027546
Oct. 12, 2006	(JP)	2006-027547

FIG. 2 is a front view thereof;

FIG. 3 is a plan view thereof;

FIG. 4 is a rear view thereof;

FIG. 5 is a bottom view thereof;

FIG. 6 is a left-hand side view thereof;

FIG. 7 is a right-hand side view thereof;

FIG. 8 is a sectional view taken along line 8—8 of FIG. 2;

(51) **LOC (9) Cl.** **15-09**

(52) **U.S. Cl.** **D15/139**

(58) **Field of Classification Search** D15/138,
D15/139, 140; 407/35, 42, 112—119
See application file for complete search history.

FIG. 9 is a perspective view of the throwaway insert for a metal cutting tool in use;

FIG. 10 is an elevation view of the throwaway insert for a metal cutting tool in use;

FIG. 11 is a perspective view of a throwaway insert for a metal cutting tool of a second embodiment;

(56) **References Cited**

U.S. PATENT DOCUMENTS

3,518,737	A *	7/1970	Hood	407/3
4,412,763	A *	11/1983	Shallenberger, Jr.	408/224
5,007,775	A *	4/1991	Pantzar	407/113
D401,253	S *	11/1998	Inayama et al.	D15/139
D544,004	S *	6/2007	Janness	D15/139
D550,730	S *	9/2007	Nicholas	D15/140
7,281,884	B2 *	10/2007	Maeda	407/113
2004/0202515	A1 *	10/2004	Satran et al.	407/113
2005/0063792	A1 *	3/2005	Satran	407/113

FIG. 12 is a front view thereof;

FIG. 13 is a plan view thereof;

FIG. 14 is a rear view thereof;

FIG. 15 is a bottom view thereof;

FIG. 16 is a left-hand side view thereof;

FIG. 17 is a right-hand side view thereof;

FIG. 18 is a sectional view taken along line 18—18 of FIG. 12;

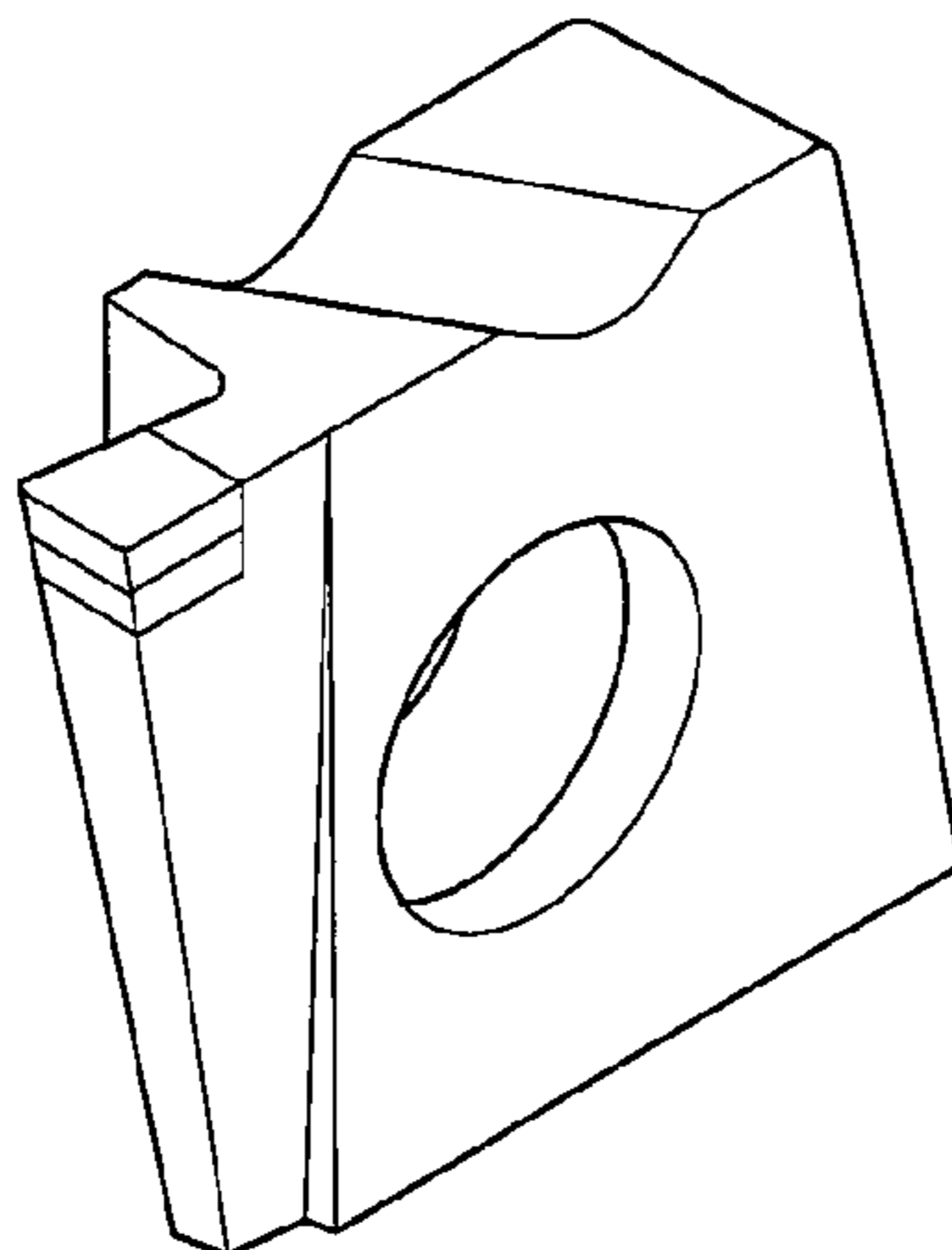


FIG. **19** is a perspective view of the throwaway insert for a metal cutting tool in use;

FIG. **20** is an elevation view of the throwaway insert for a metal cutting tool in use;

FIG. **21** is a perspective view of a throwaway insert for a metal cutting tool of a third embodiment;

FIG. **22** is a front view thereof;

FIG. **23** is a plan view thereof;

FIG. **24** is a rear view thereof;

FIG. **25** is a bottom view thereof;

FIG. **26** is a left-hand side view thereof;

FIG. **27** is a right-hand side view thereof;

FIG. **28** is a sectional view taken along line **28—28** of FIG. **22**;

FIG. **29** is a perspective view of the throwaway insert for a metal cutting tool in use; and,

FIG. **30** is an elevation view of the throwaway insert for a metal cutting tool in use.

The broken lines in the drawings depict unclaimed environmental subject matter.

1 Claim, 9 Drawing Sheets

Fig. 1

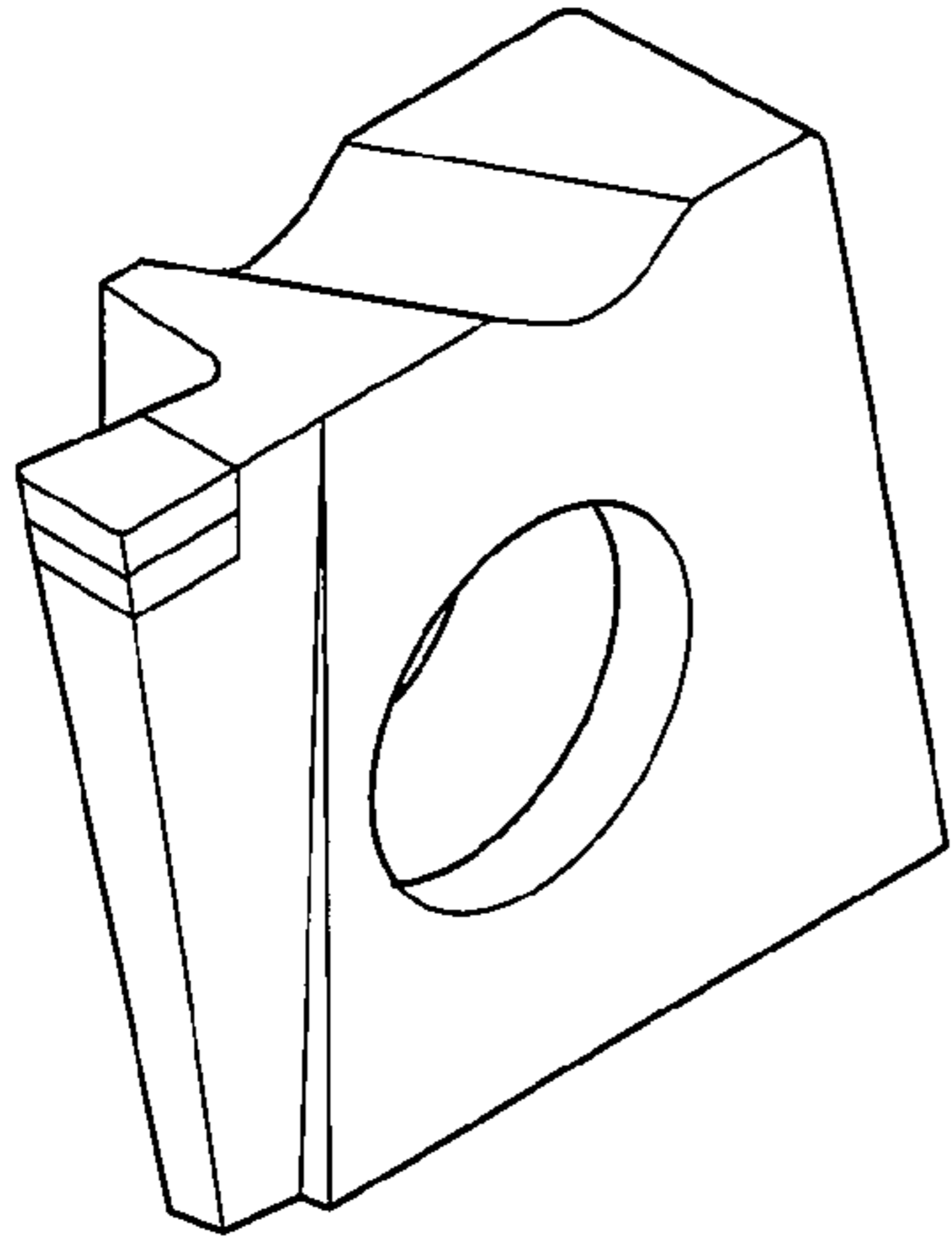


Fig. 3

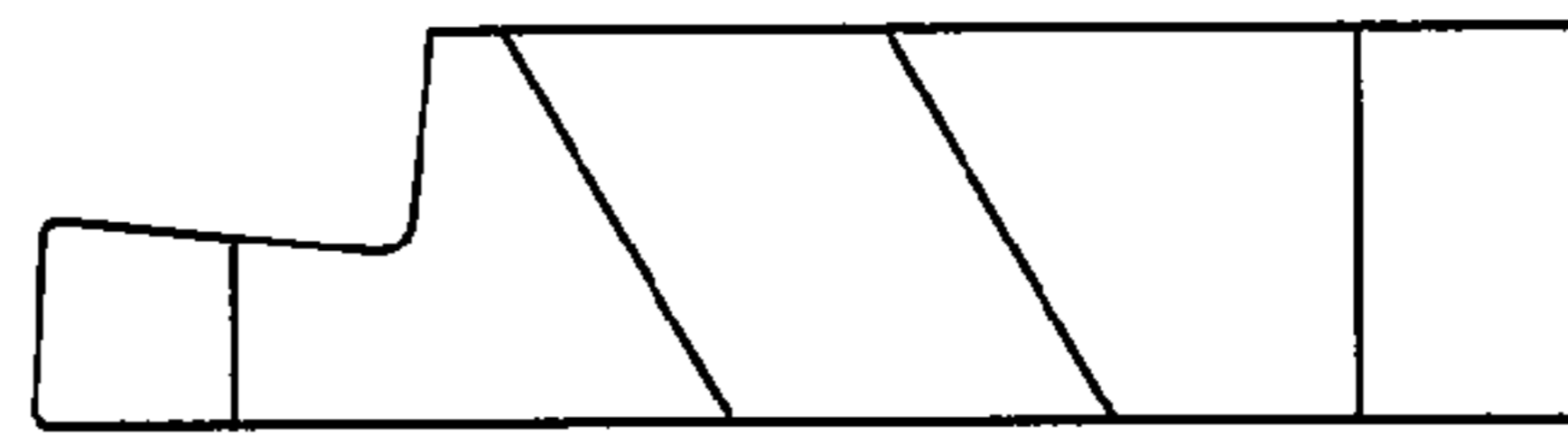


Fig. 2

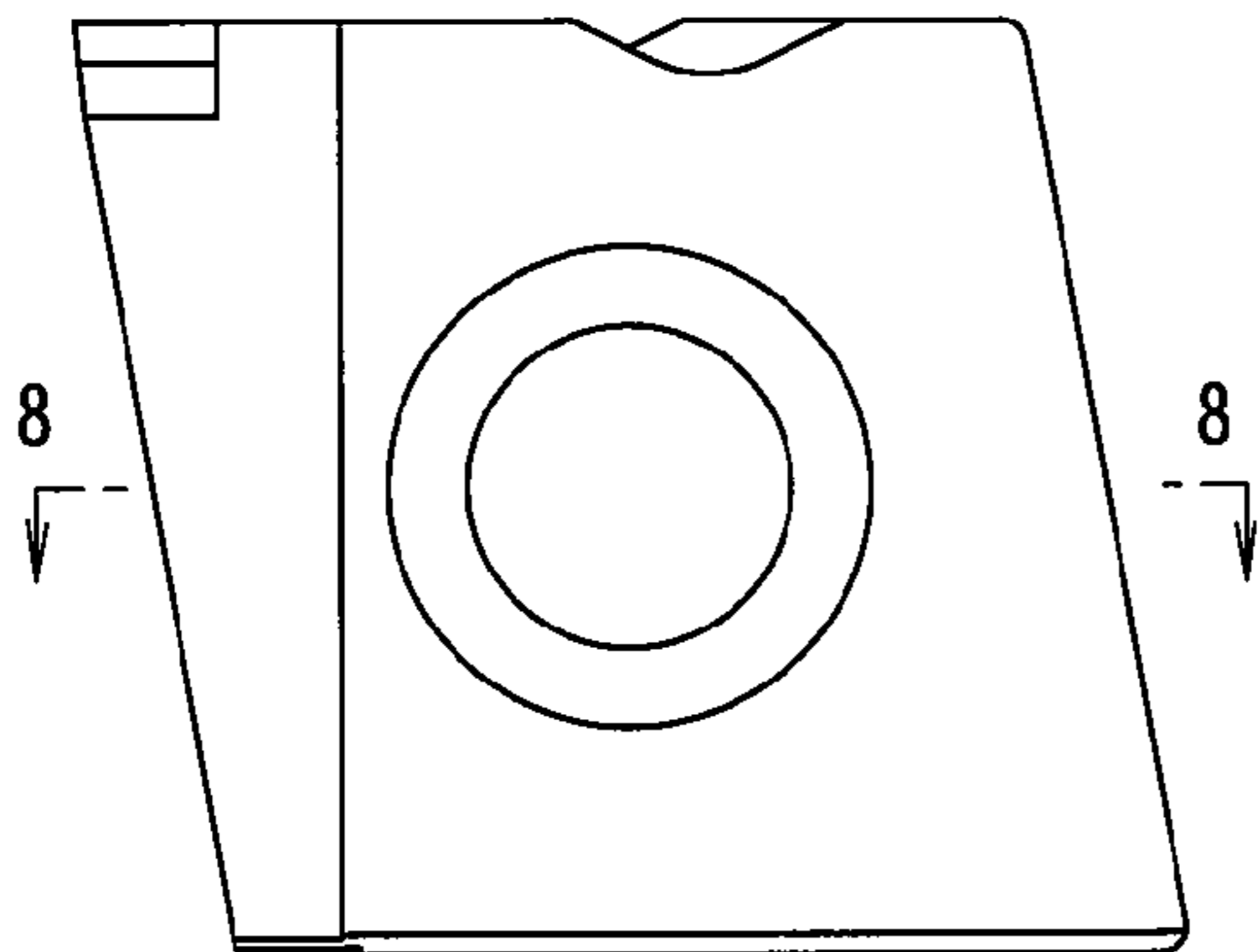


Fig. 4

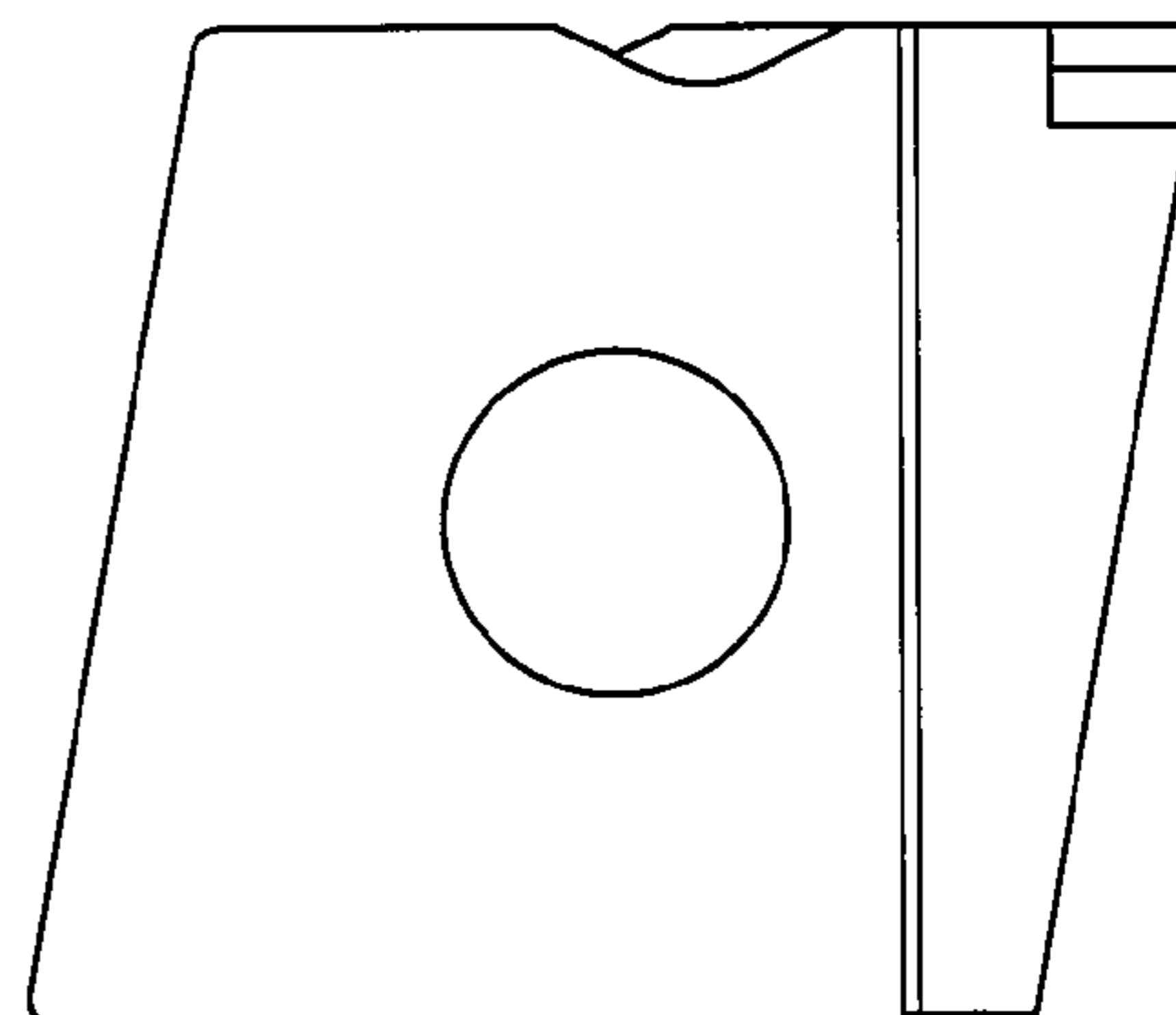


Fig. 5



Fig. 7

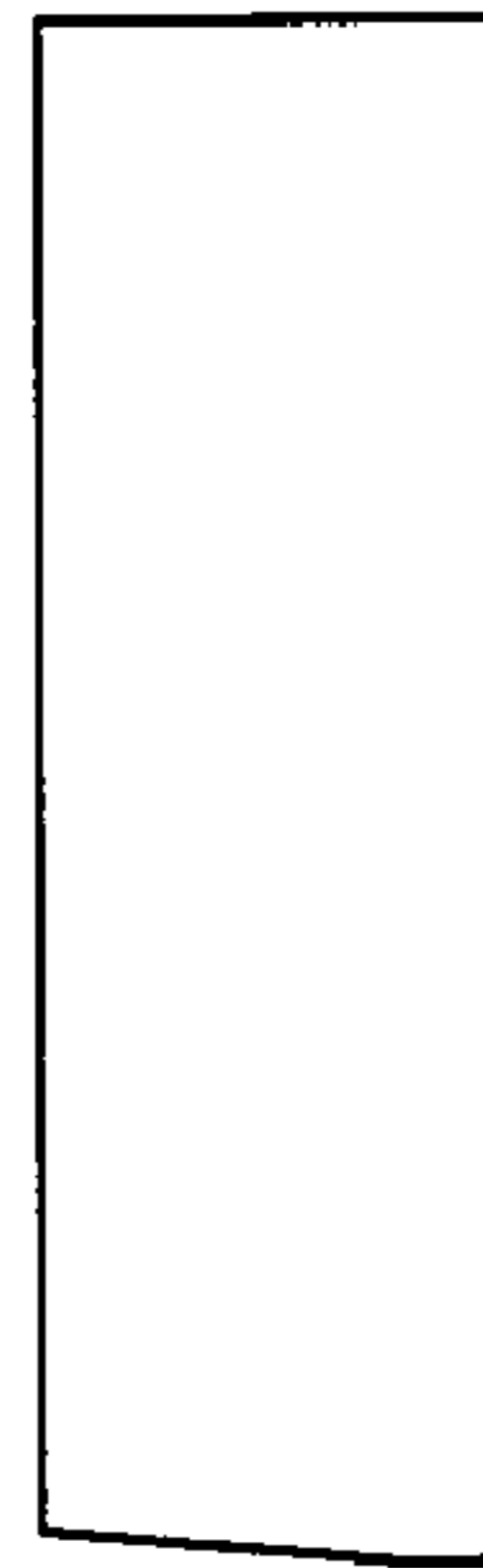


Fig. 6

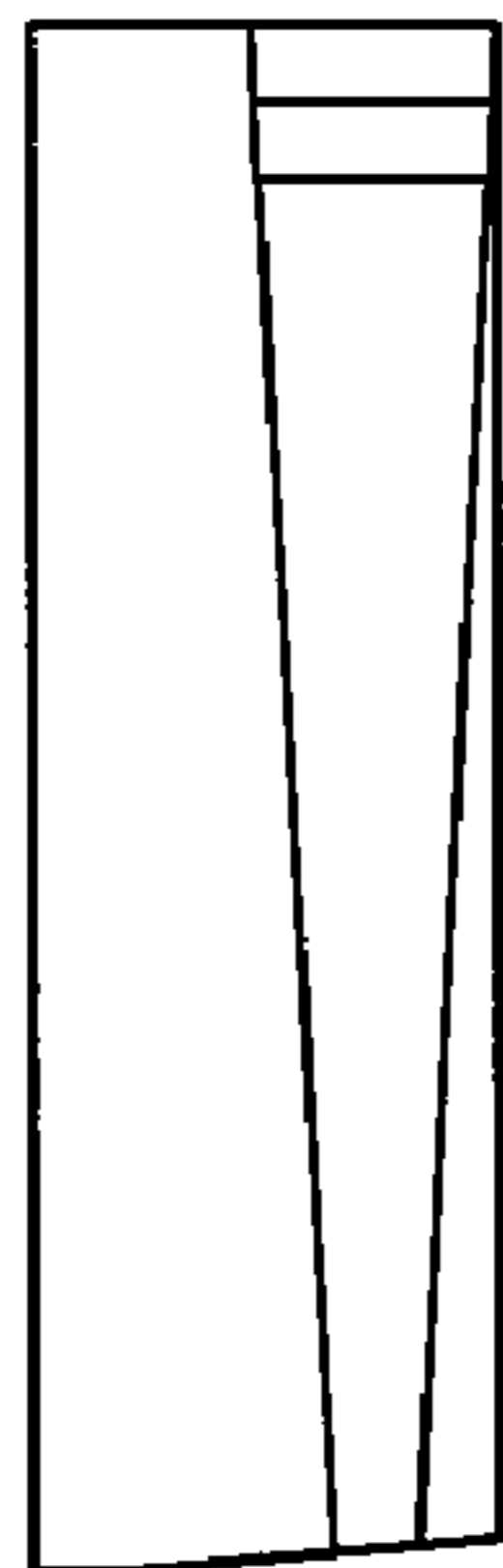


Fig. 8

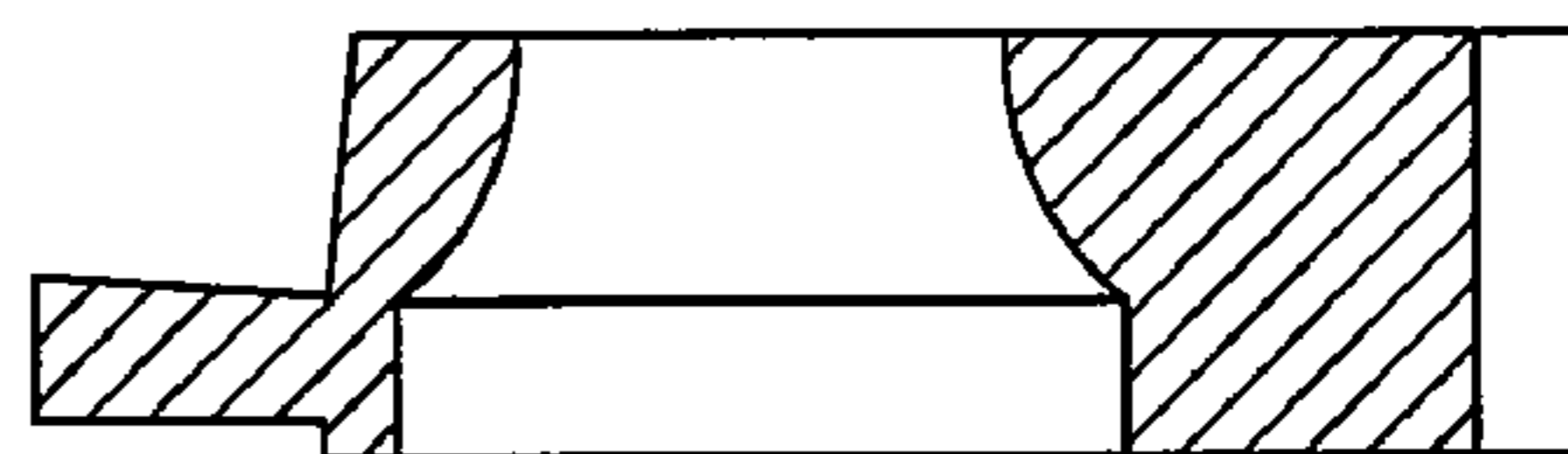


Fig. 9

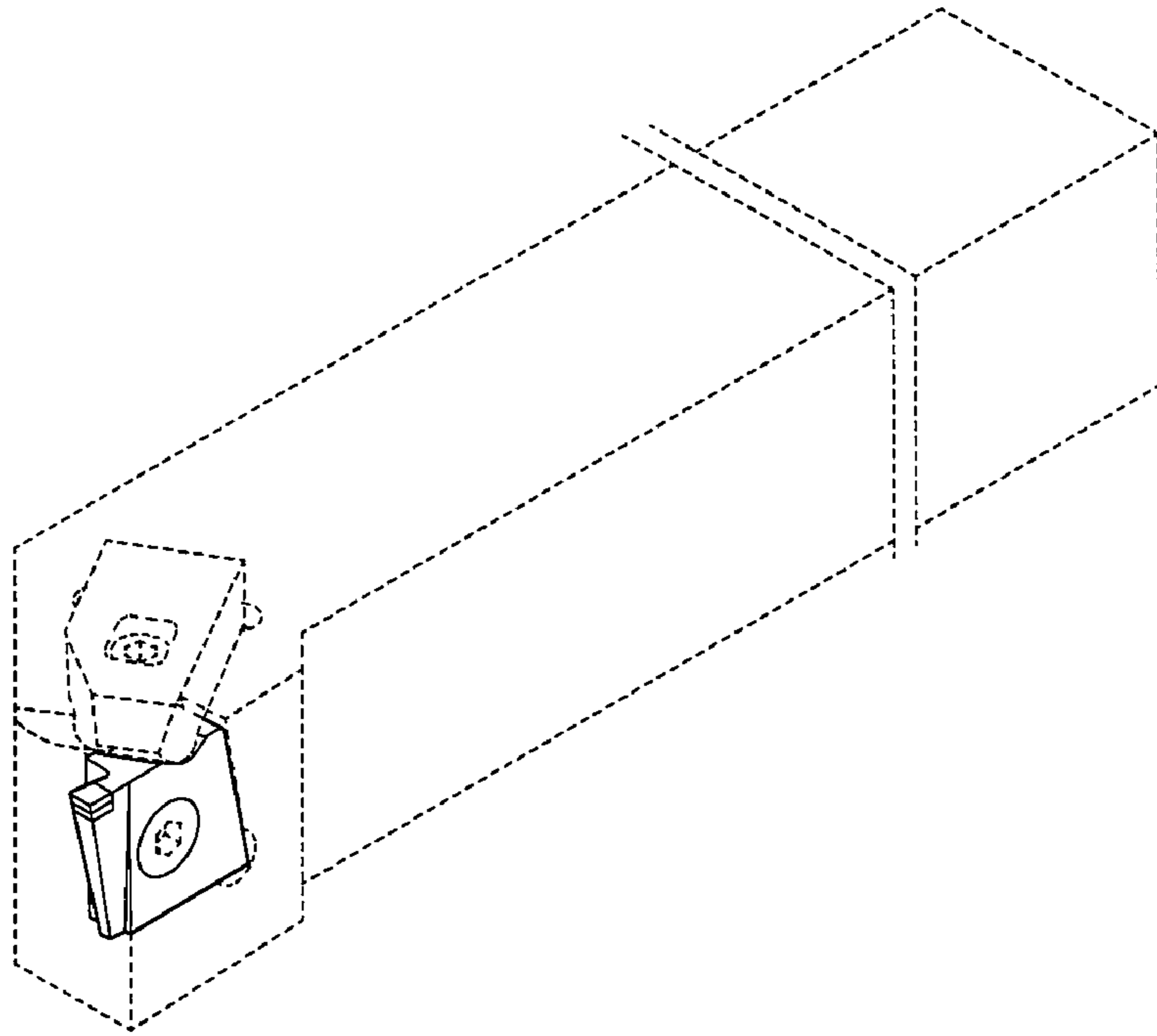


Fig. 10

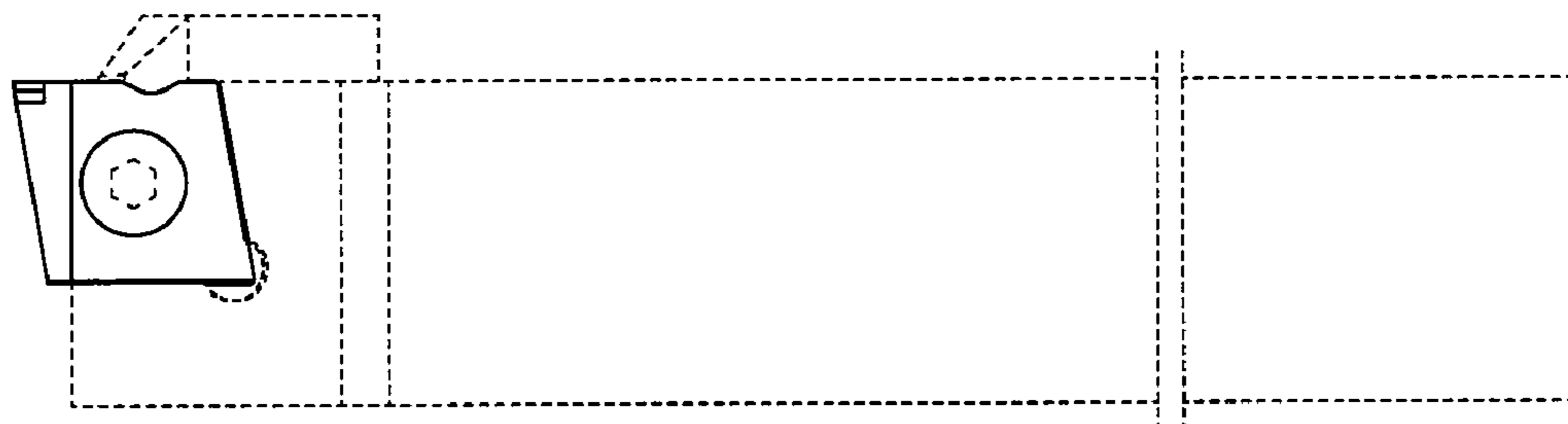


Fig. 11

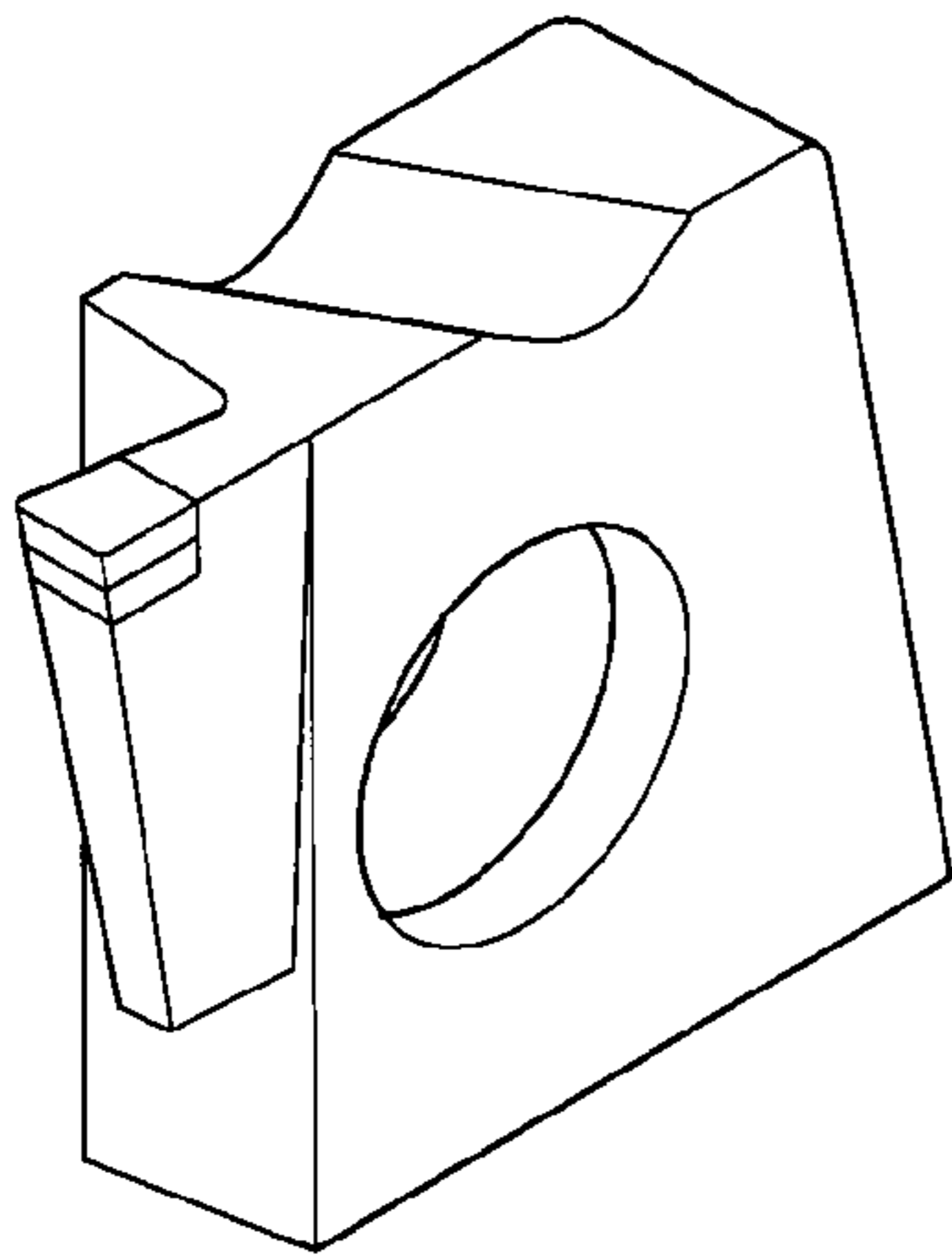


Fig. 13

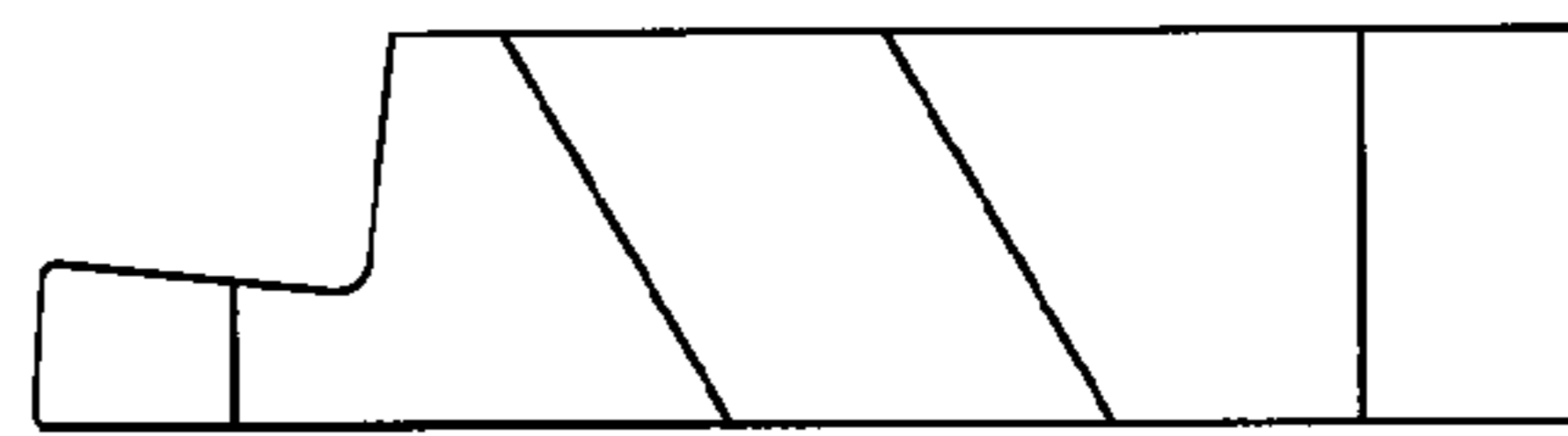


Fig. 12

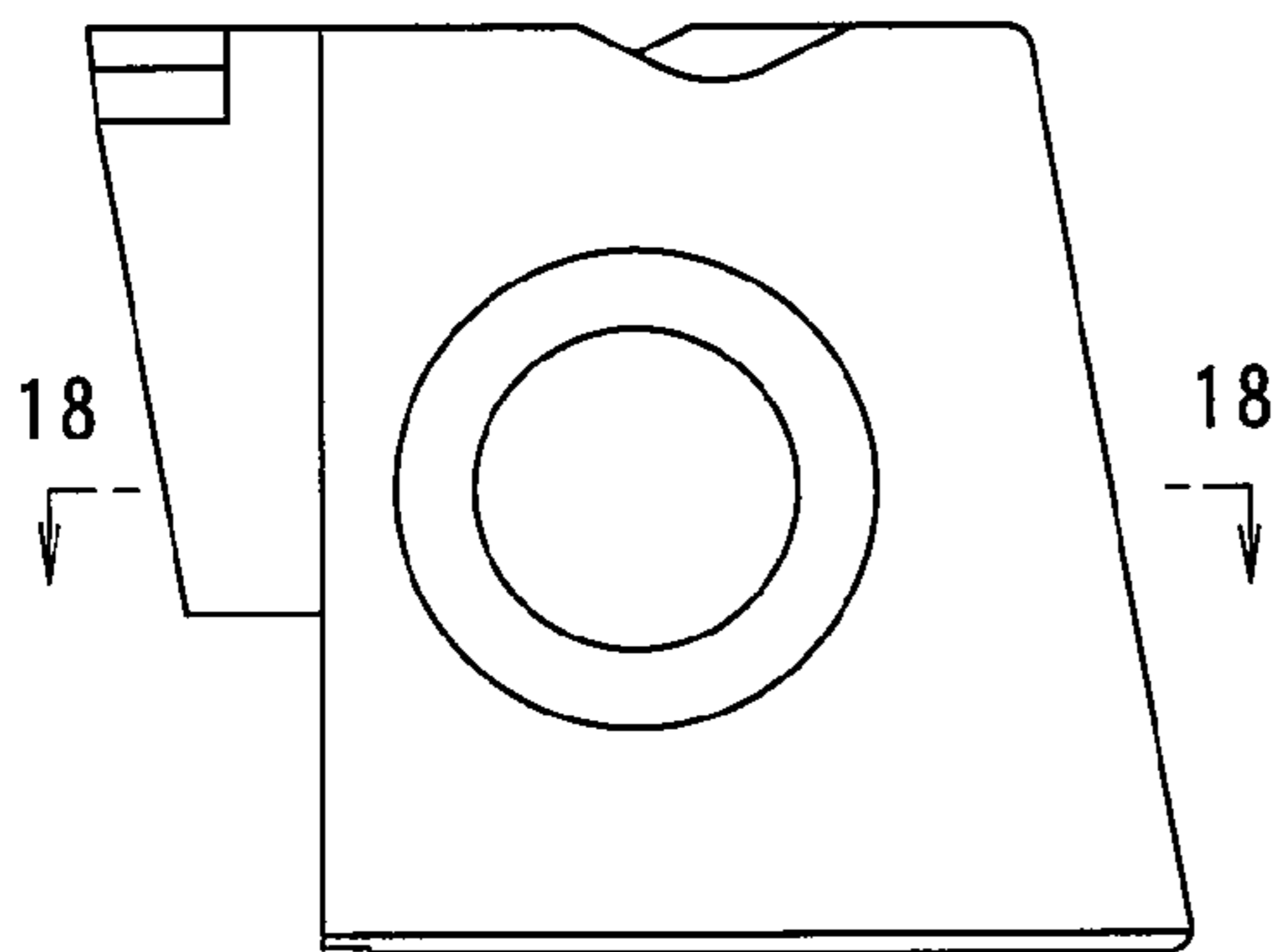


Fig. 14

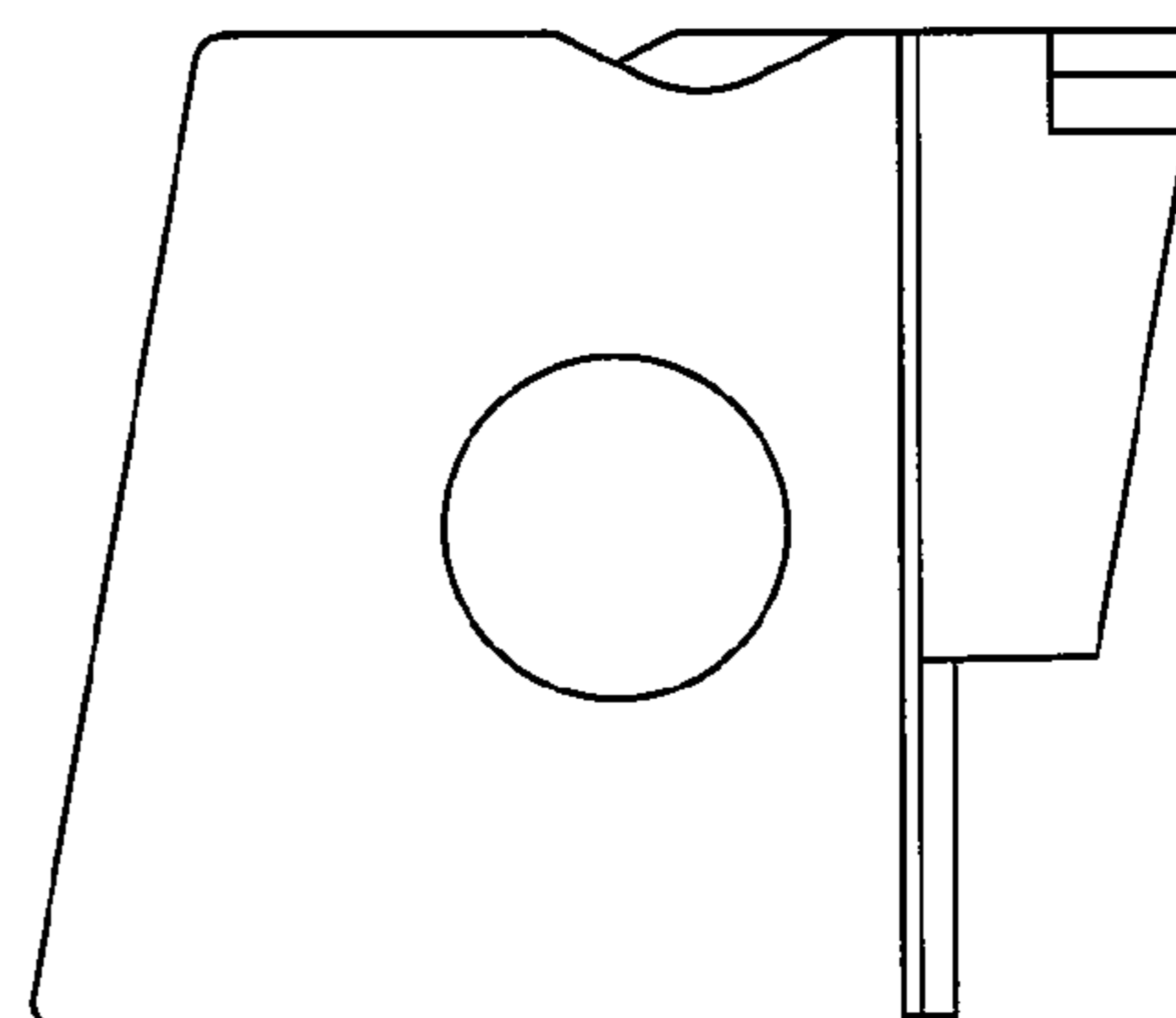


Fig. 15

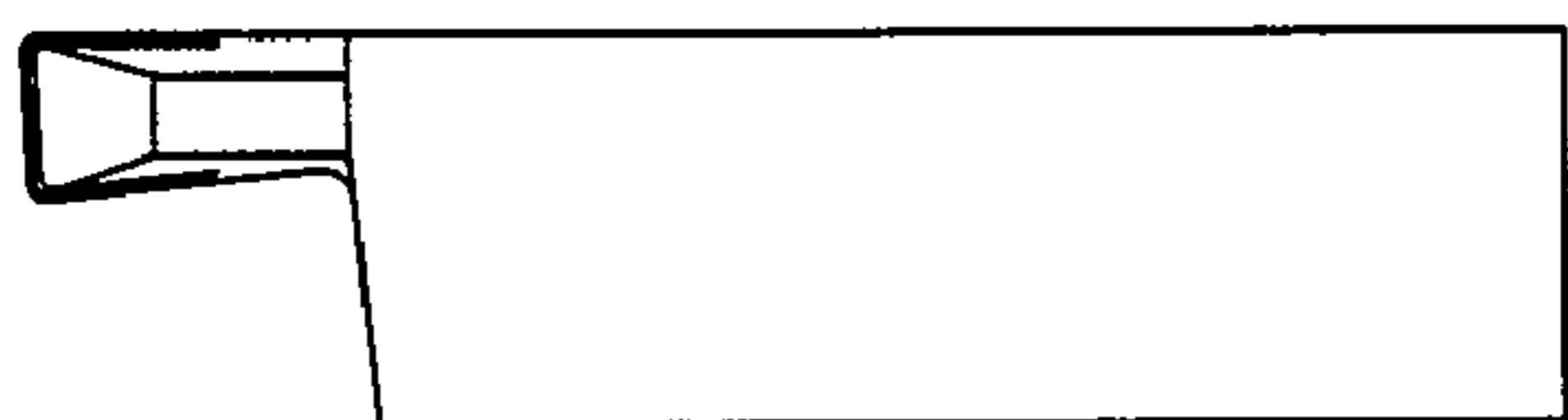


Fig. 17

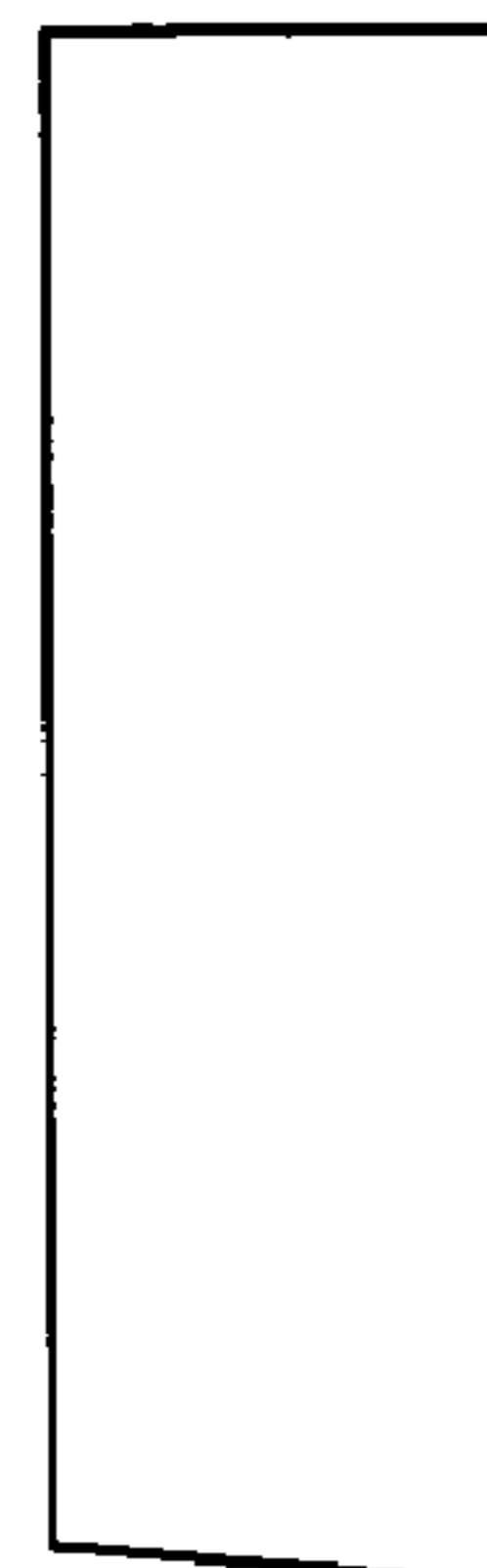


Fig. 16

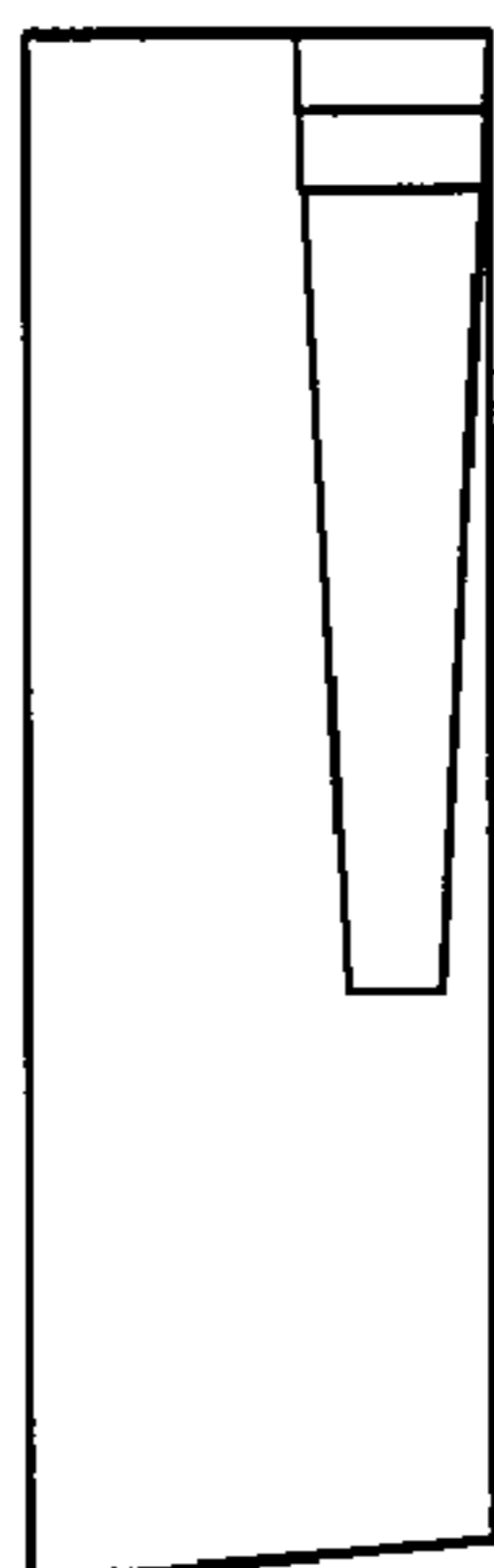


Fig. 18

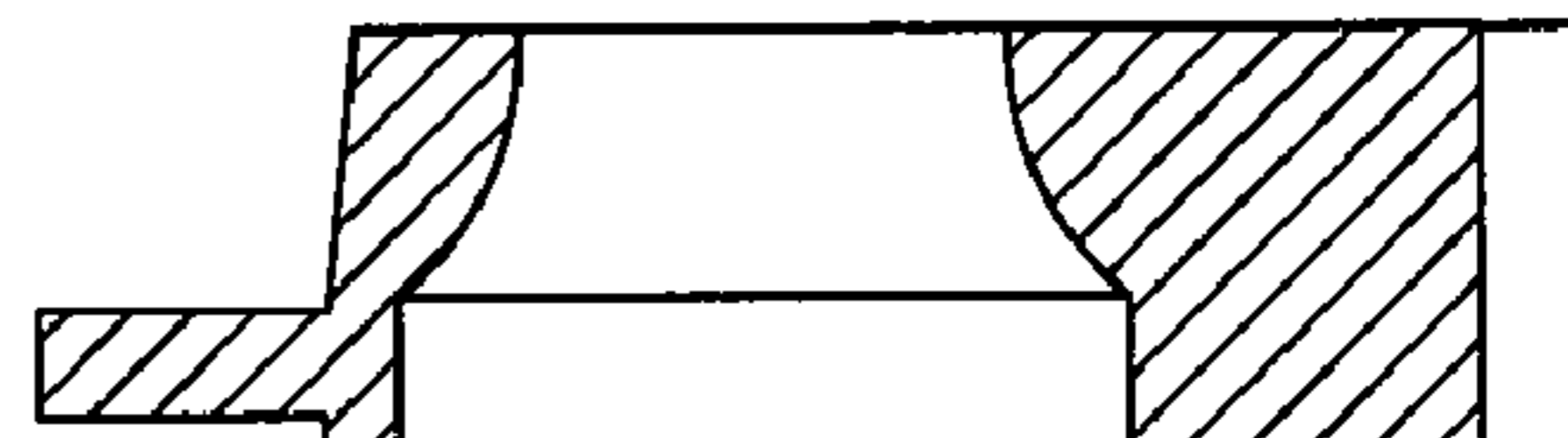


Fig. 19

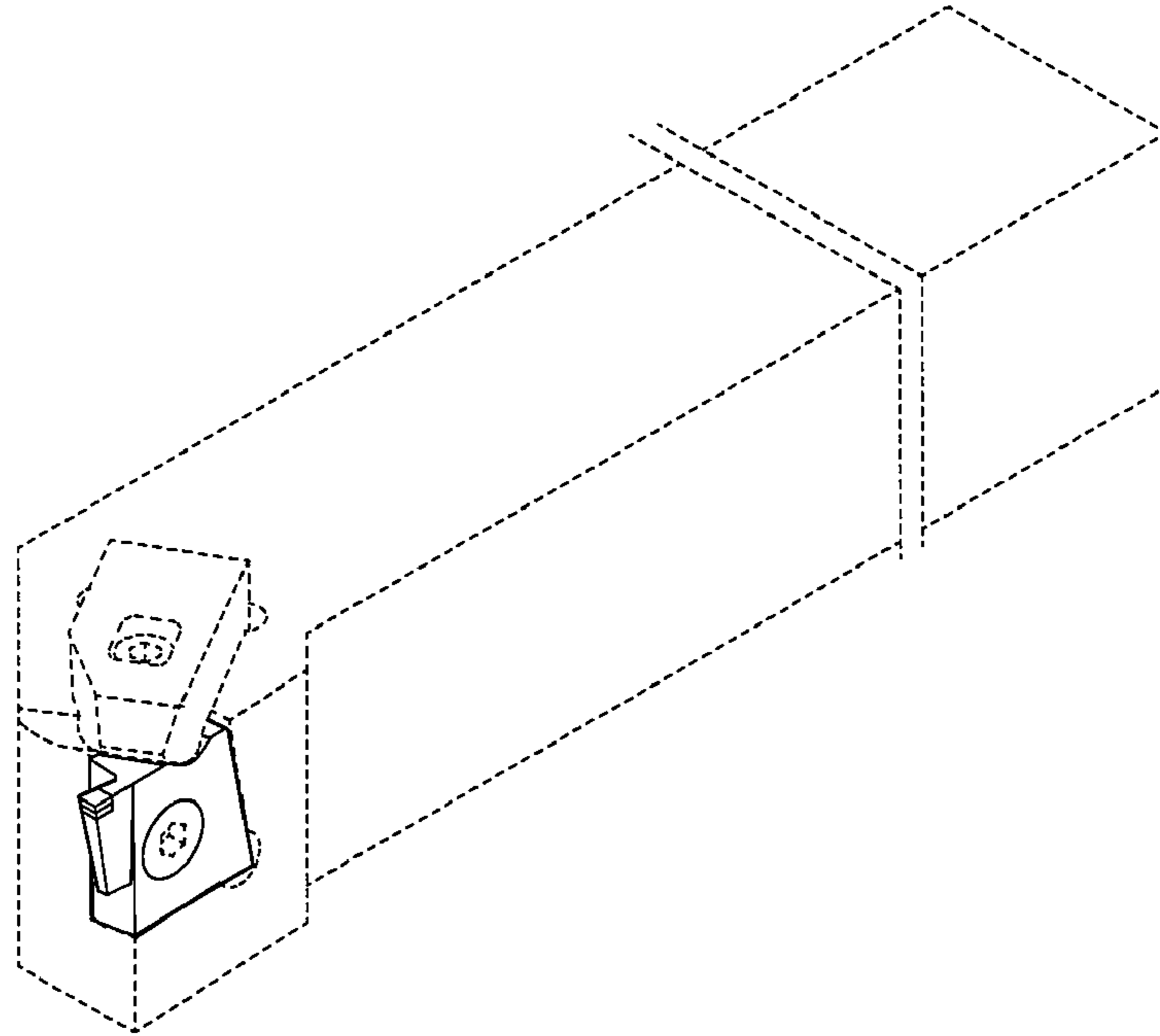


Fig. 20

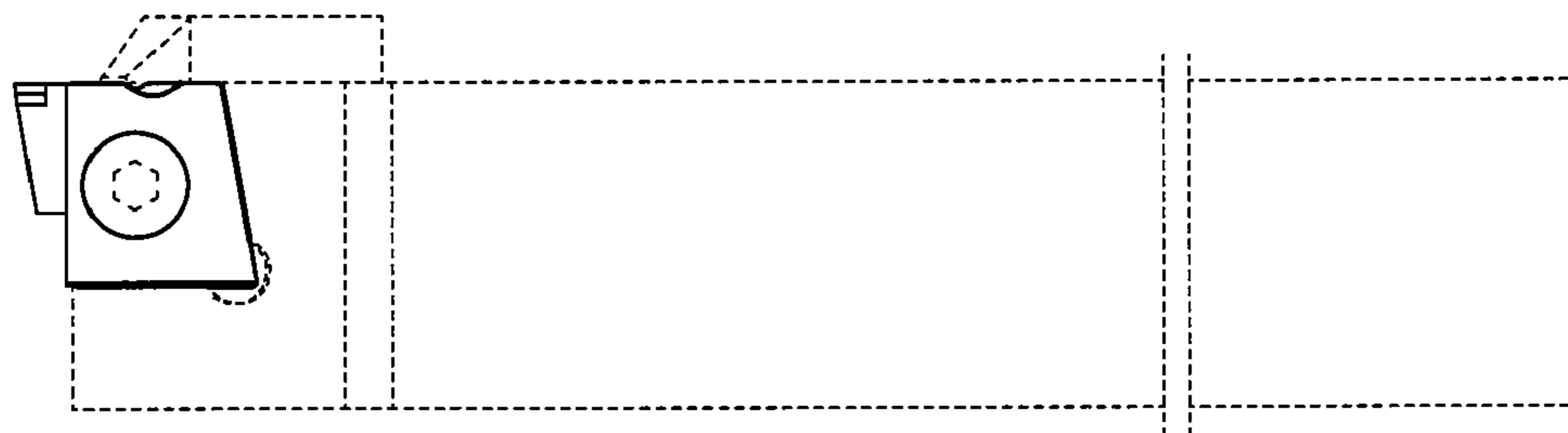


Fig. 21

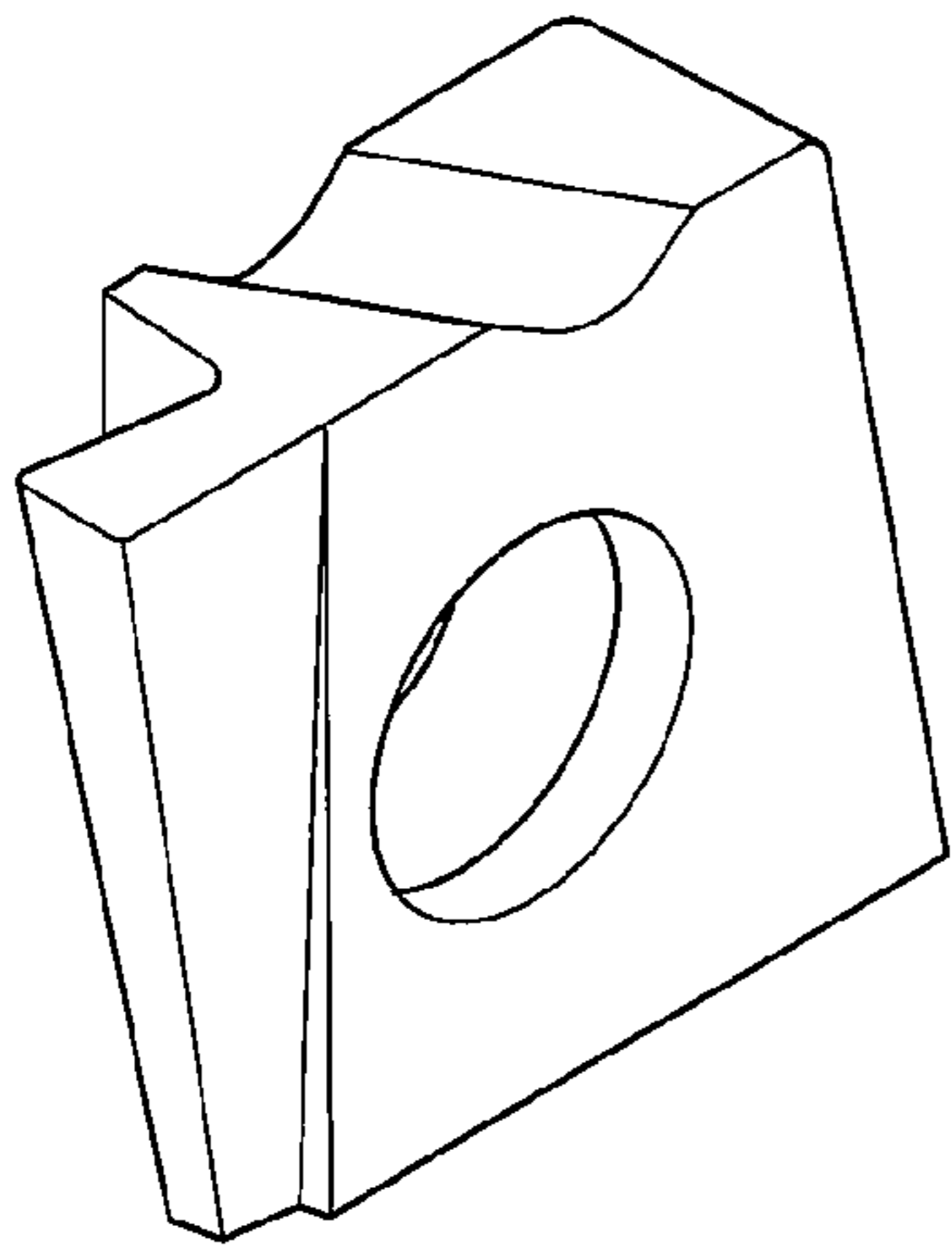


Fig. 23

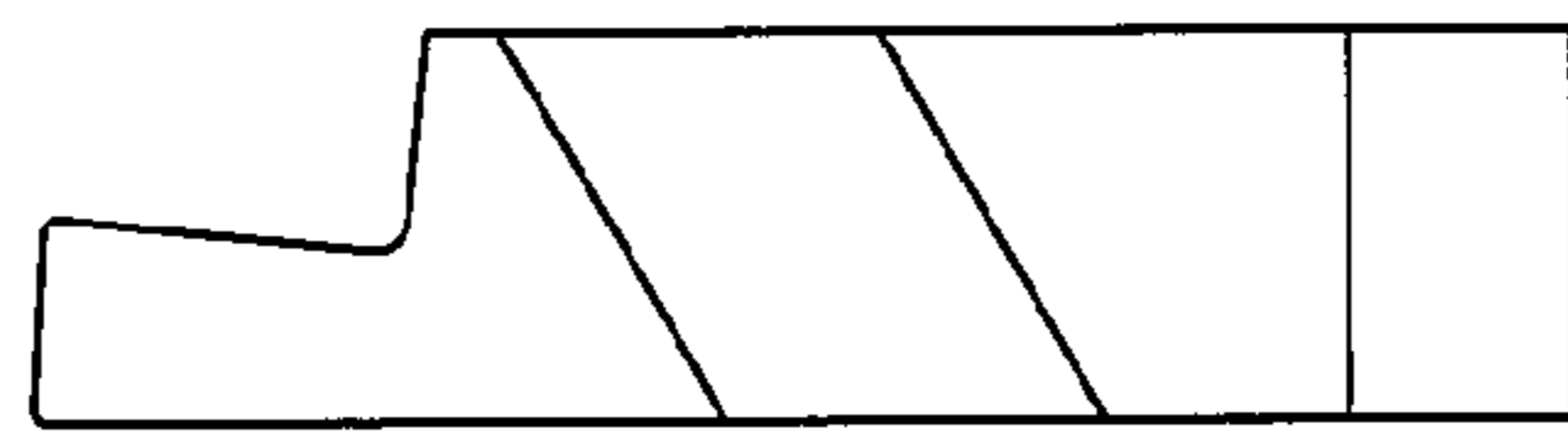


Fig. 22

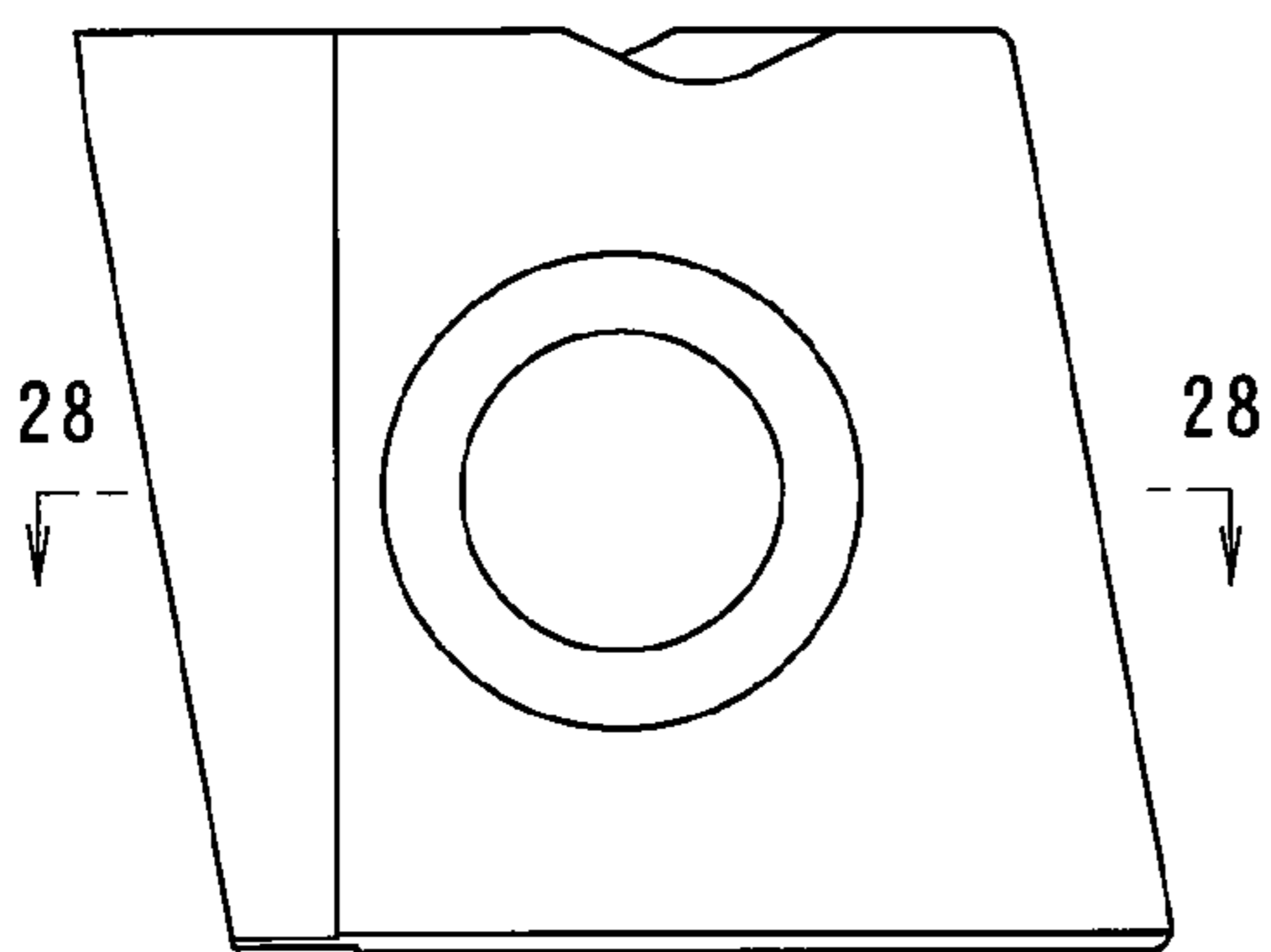


Fig. 24

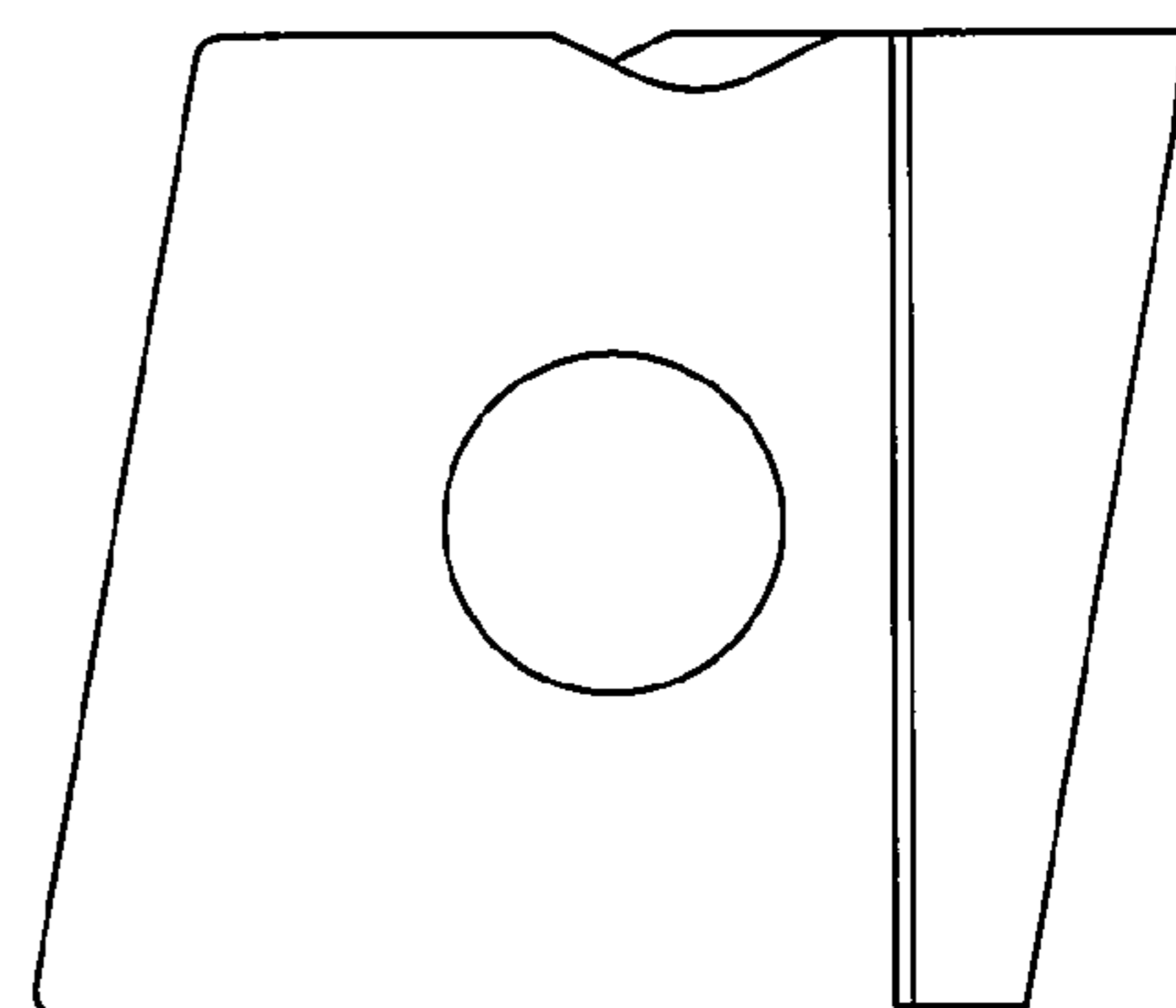


Fig. 25



Fig. 27

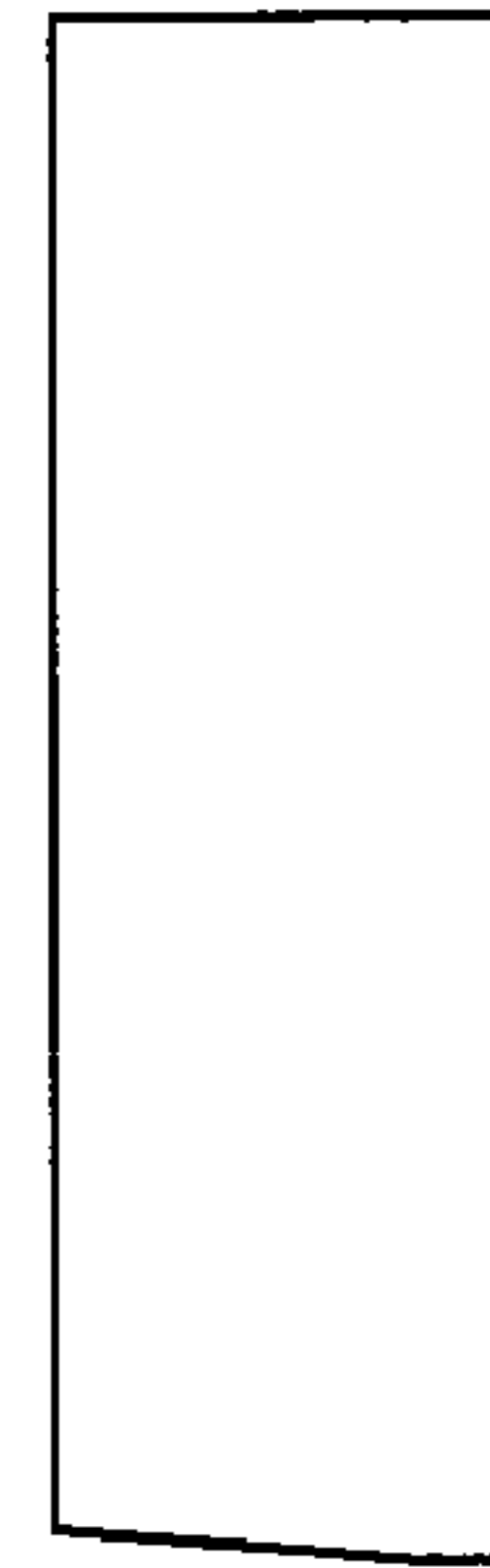


Fig. 26

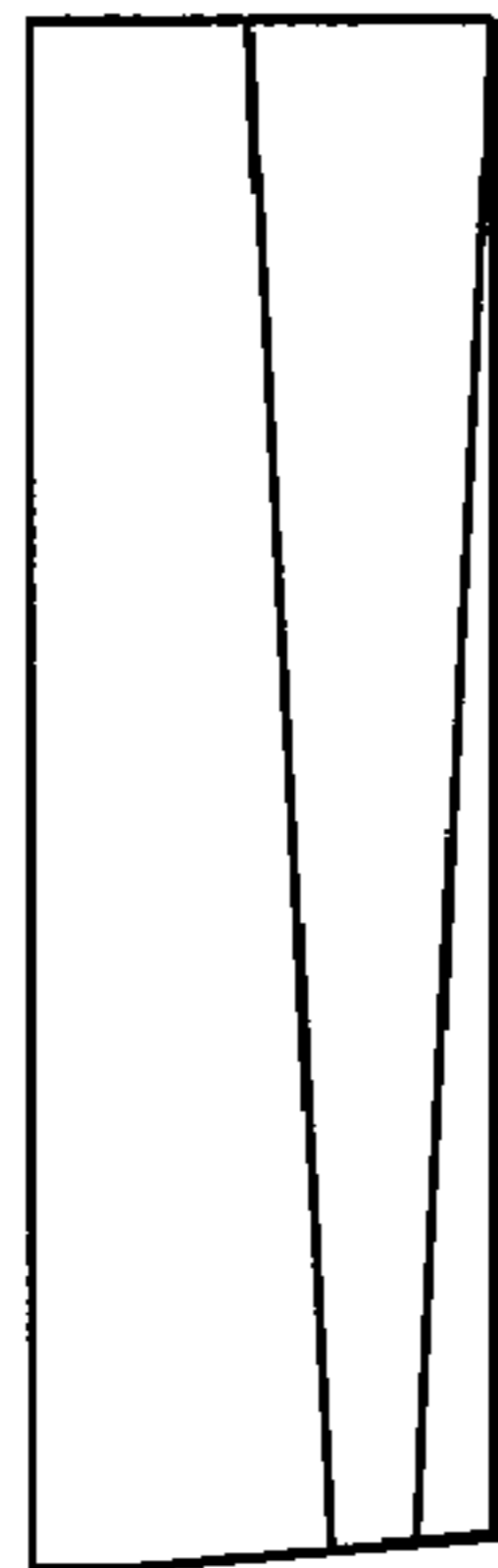


Fig. 28

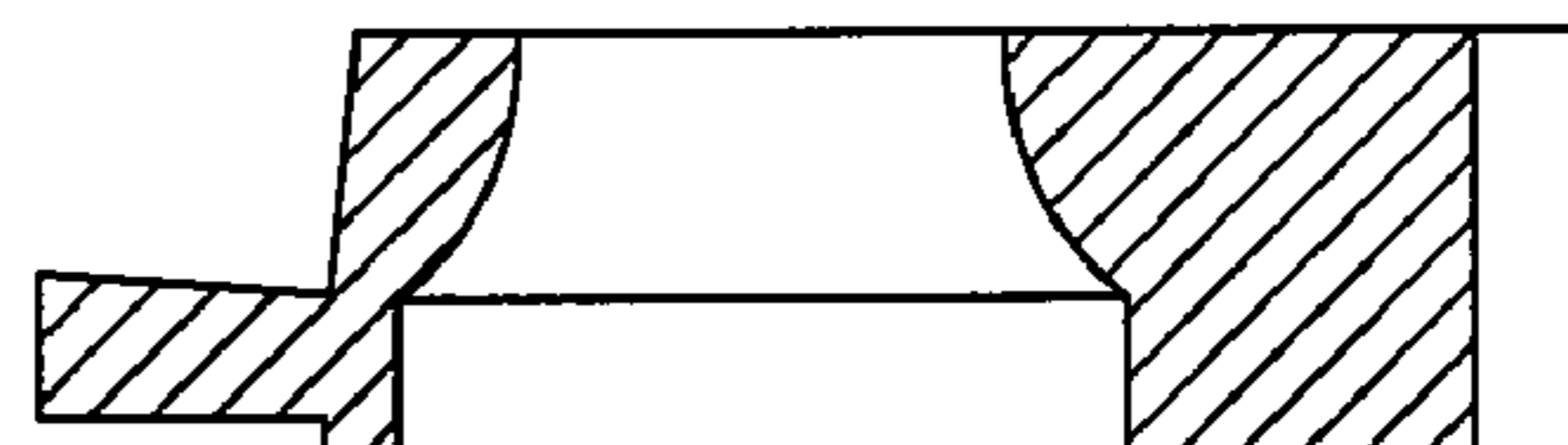


Fig. 29

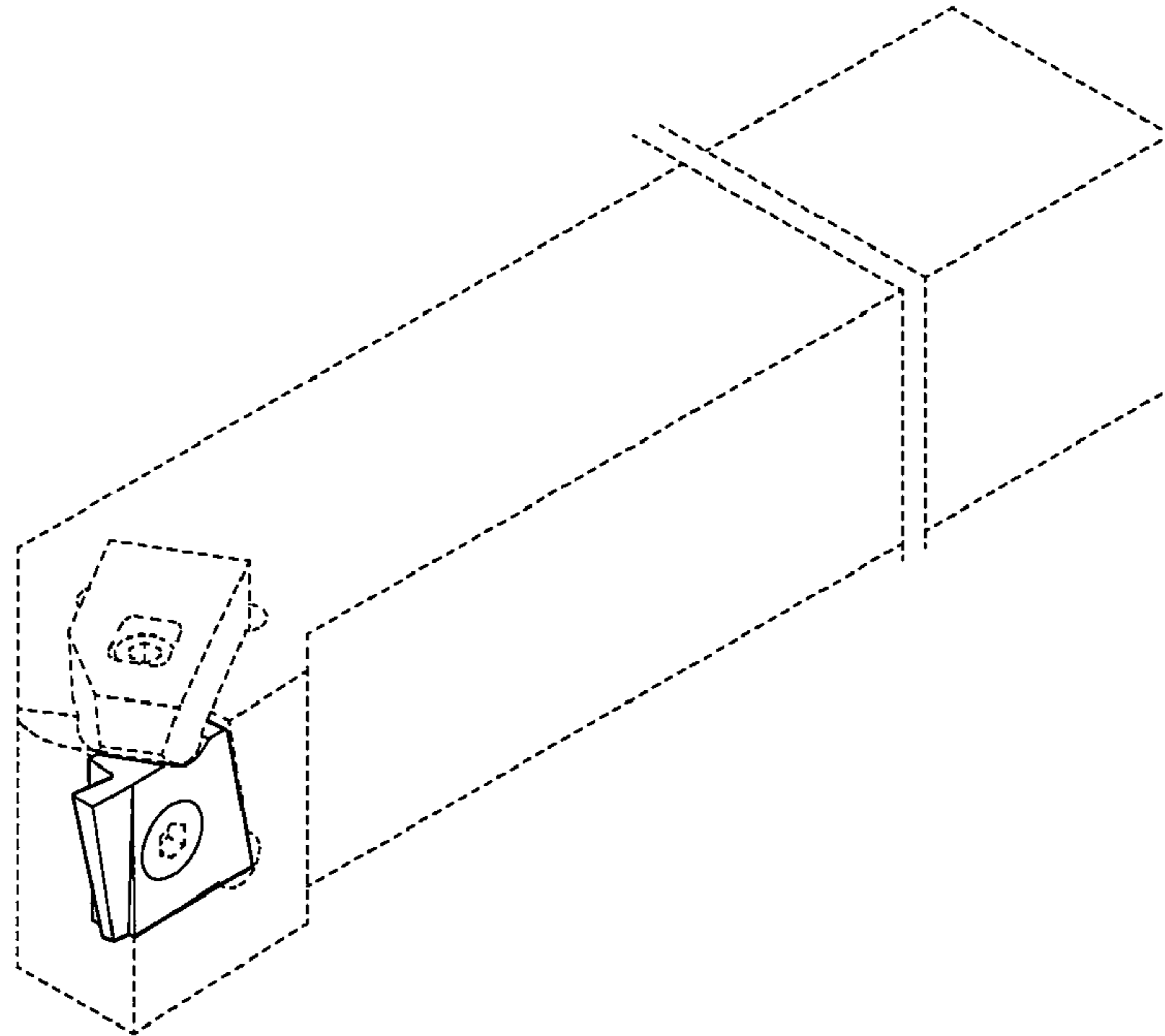


Fig. 30

