



US00D595320S

(12) **United States Design Patent**
Park

(10) **Patent No.:** **US D595,320 S**

(45) **Date of Patent:** **** Jun. 30, 2009**

(54) **GRINDING TIP FOR GRINDER**

(76) Inventor: **Rin-soon Park**, Yongsang APT. 1-401,
150-3, Bucheon-si, Gyeonggi-do (KR)
421-200

(**) Term: **14 Years**

(21) Appl. No.: **29/309,176**

(22) Filed: **Jun. 30, 2008**

(51) **LOC (9) Cl.** **15-09**

(52) **U.S. Cl.** **D15/126**

(58) **Field of Classification Search** D8/70,
D8/71, 90, 98; D15/124, 126, 138, 139;
D21/485, 488, 499, 500, 503, 504; D25/103,
D25/113-118; 83/589, 676, 863; 407/35,
407/42, 112-119; 451/548-551
See application file for complete search history.

(56) **References Cited**

U.S. PATENT DOCUMENTS

3,745,719	A *	7/1973	Oswald	451/548
D241,059	S *	8/1976	Young	D15/124
D249,558	S *	9/1978	Blomqvist	D25/35
4,212,137	A *	7/1980	Rue	451/542
D296,107	S *	6/1988	Andersson	D15/139
5,683,143	A *	11/1997	Peterson et al.	299/41.1
D482,587	S *	11/2003	Moren et al.	D8/90
7,066,795	B2 *	6/2006	Balagani et al.	451/285

D548,758	S *	8/2007	Park	D15/126
2005/0164620	A1 *	7/2005	Amamoto	451/548
2006/0116060	A1 *	6/2006	Thysell	451/548

* cited by examiner

Primary Examiner—Sandra Snapp

Assistant Examiner—Patricia Palasik

(74) *Attorney, Agent, or Firm*—The Nath Law Group; Jerald L. Meyer; Jiaxiao Zhang

(57) **CLAIM**

The ornamental design for a grinding tip for grinder, as shown and described.

DESCRIPTION

FIG. 1 is a perspective view of the grinding tip for grinder;

FIG. 2 is a front view of the grinding tip for grinder;

FIG. 3 is a rear view of the grinding tip for grinder;

FIG. 4 is a left side view of the grinding tip for grinder;

FIG. 5 is a right side view of the grinding tip for grinder;

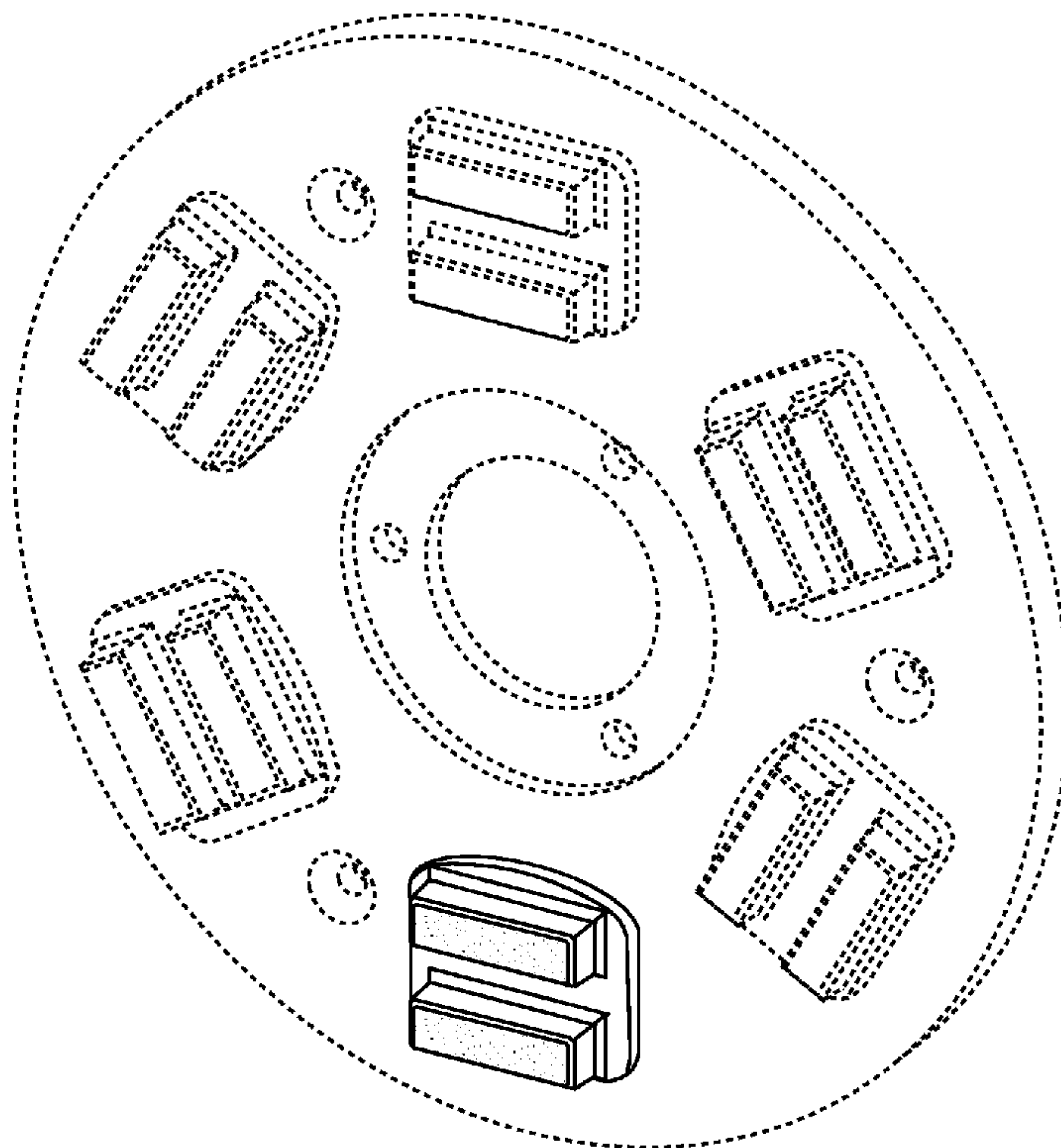
FIG. 6 is a ground view of the grinding tip for grinder;

FIG. 7 is a bottom view of the grinding tip for grinder; and,

FIG. 8 is a reference view of multiple grinding tips, as they will appear on a grinder.

The broken lines are for illustrative purposes only and form no part of the claimed design.

1 Claim, 6 Drawing Sheets



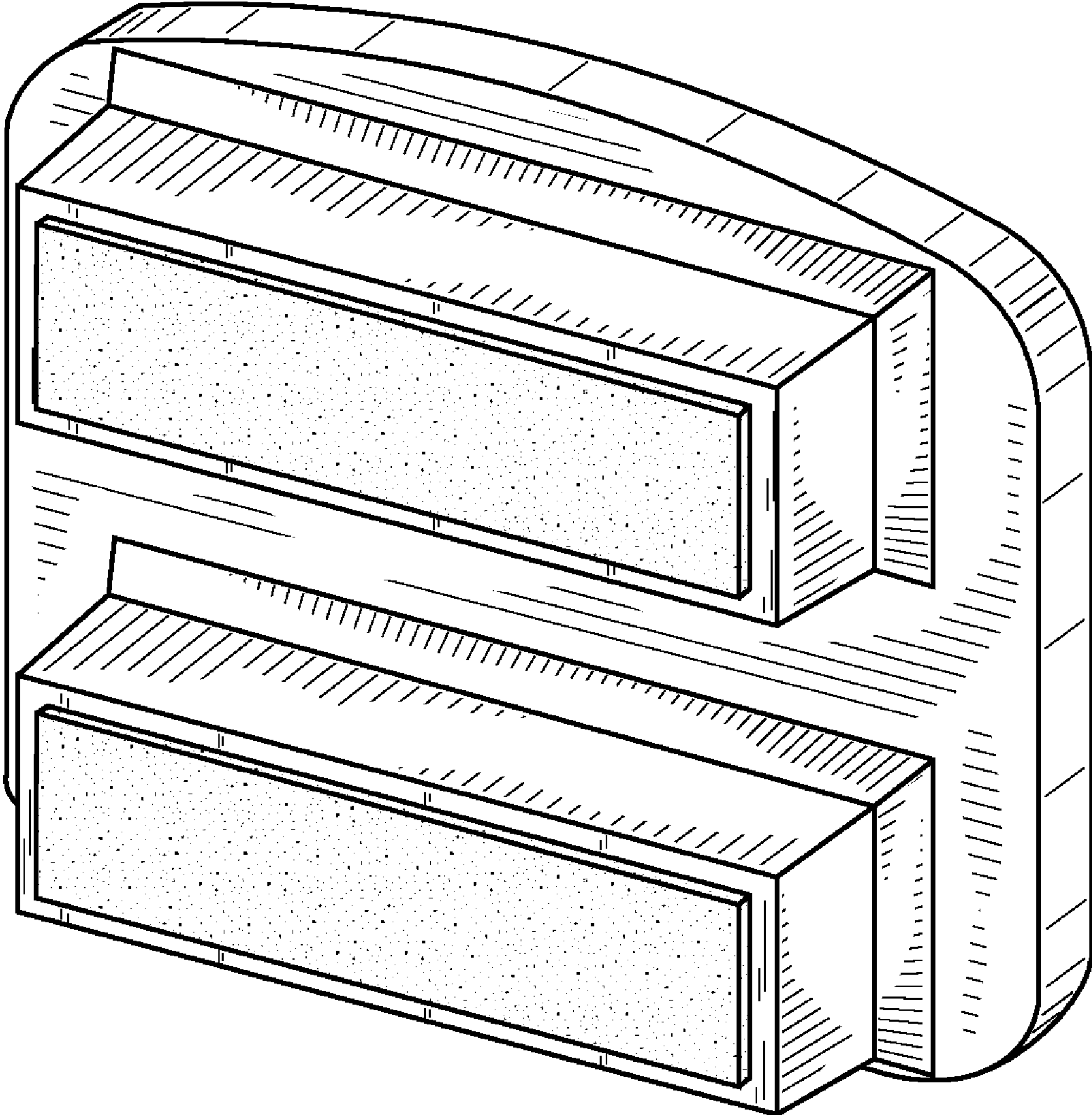


FIG. 1

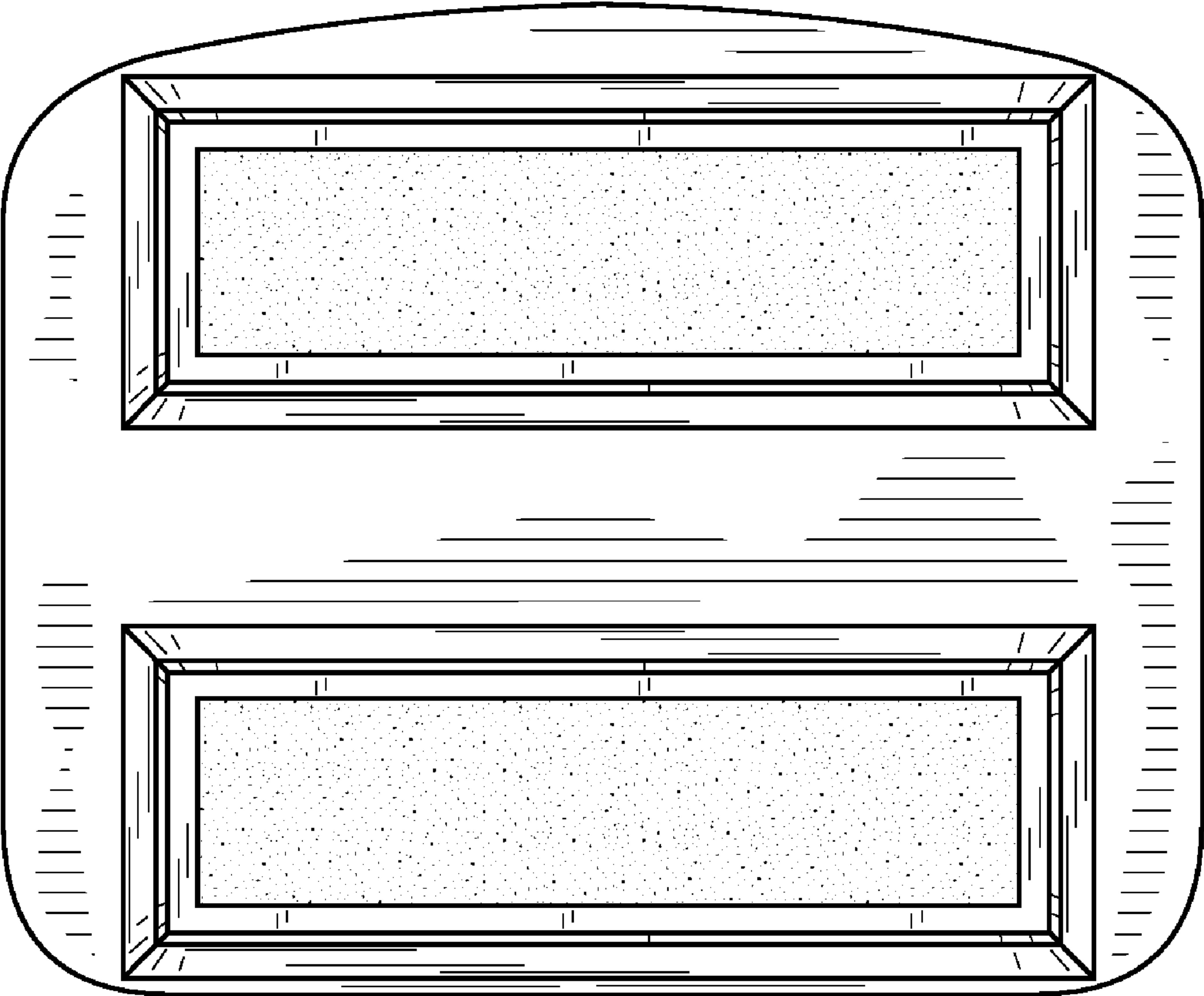


FIG. 2

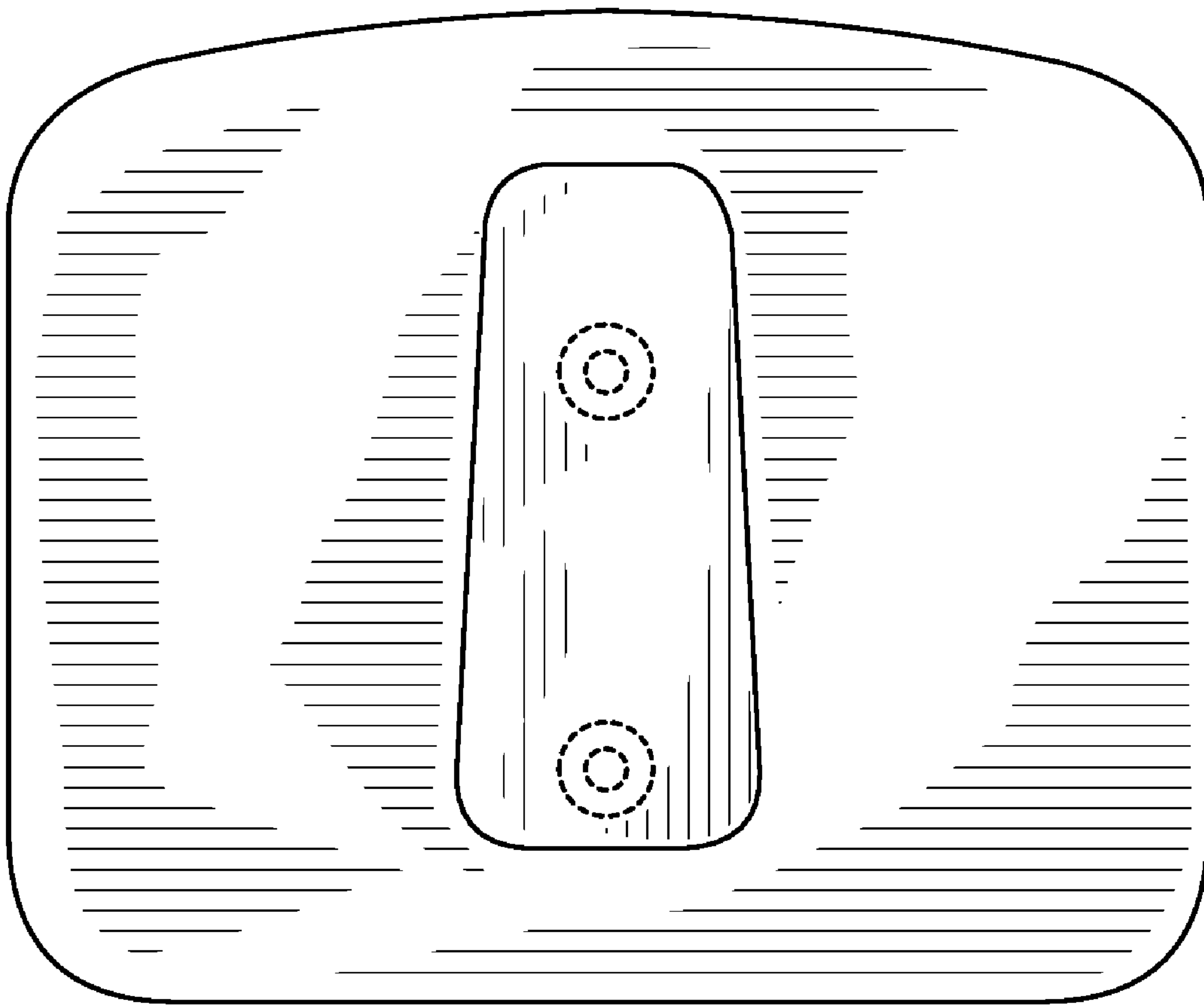


FIG. 3

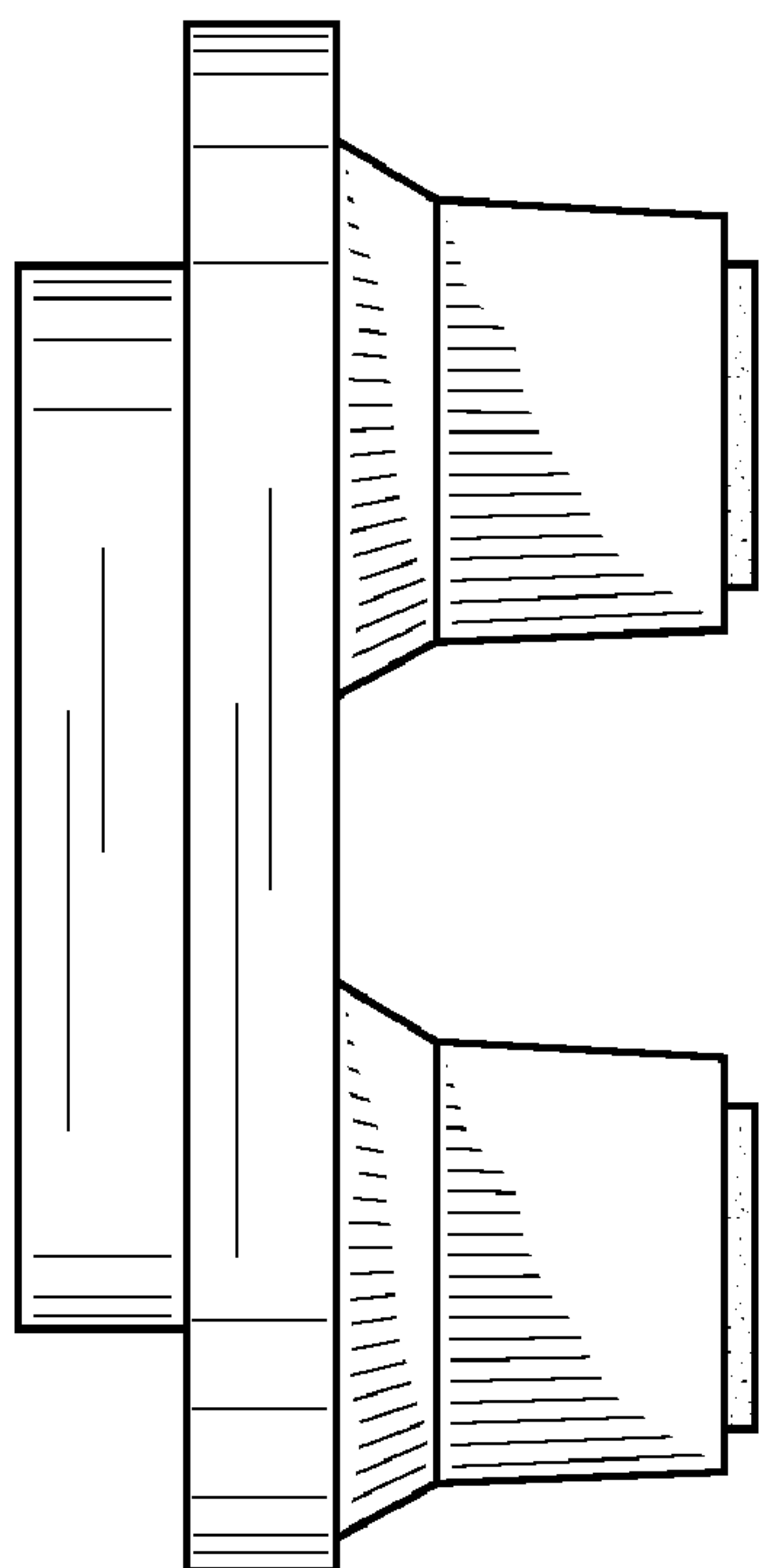


FIG. 4

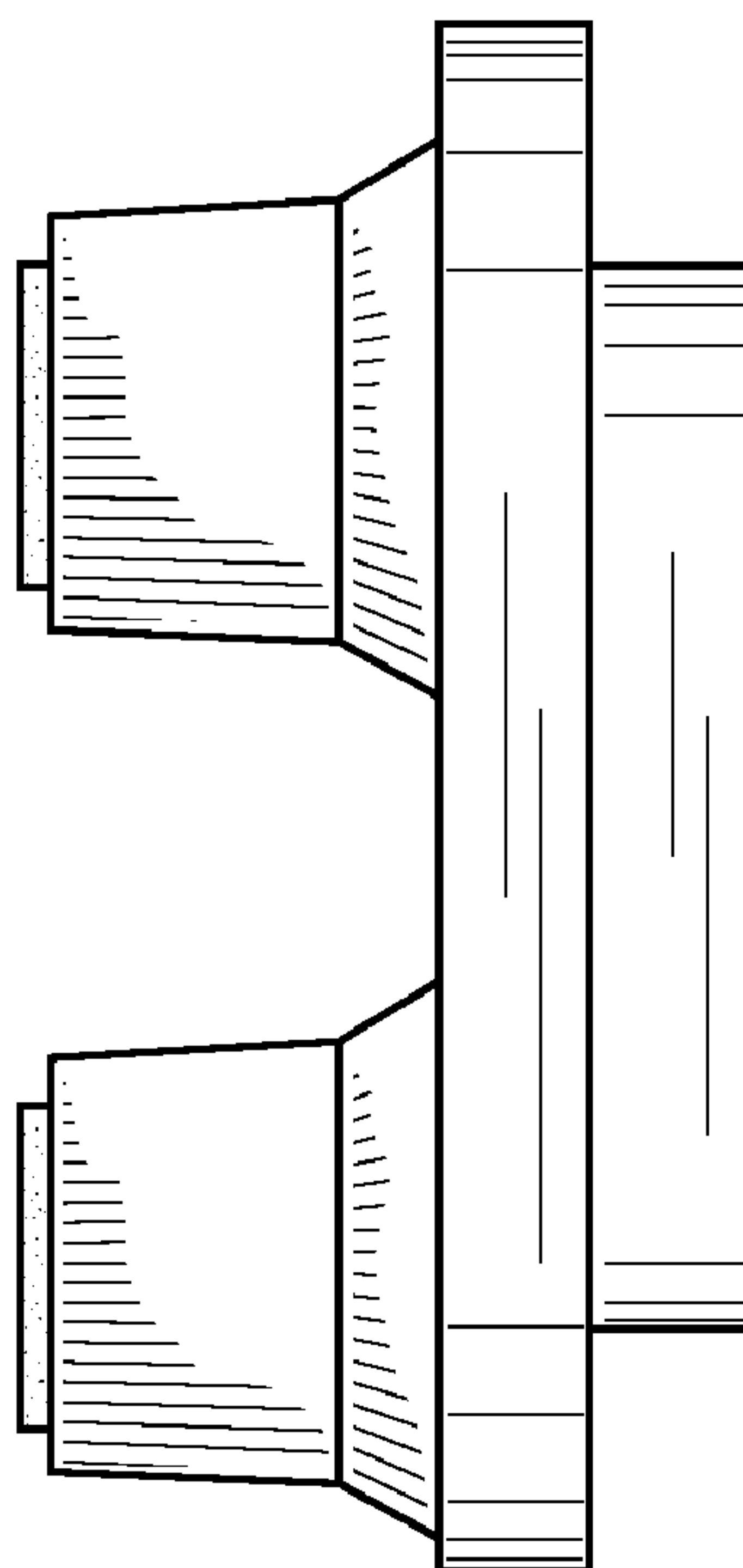


FIG. 5

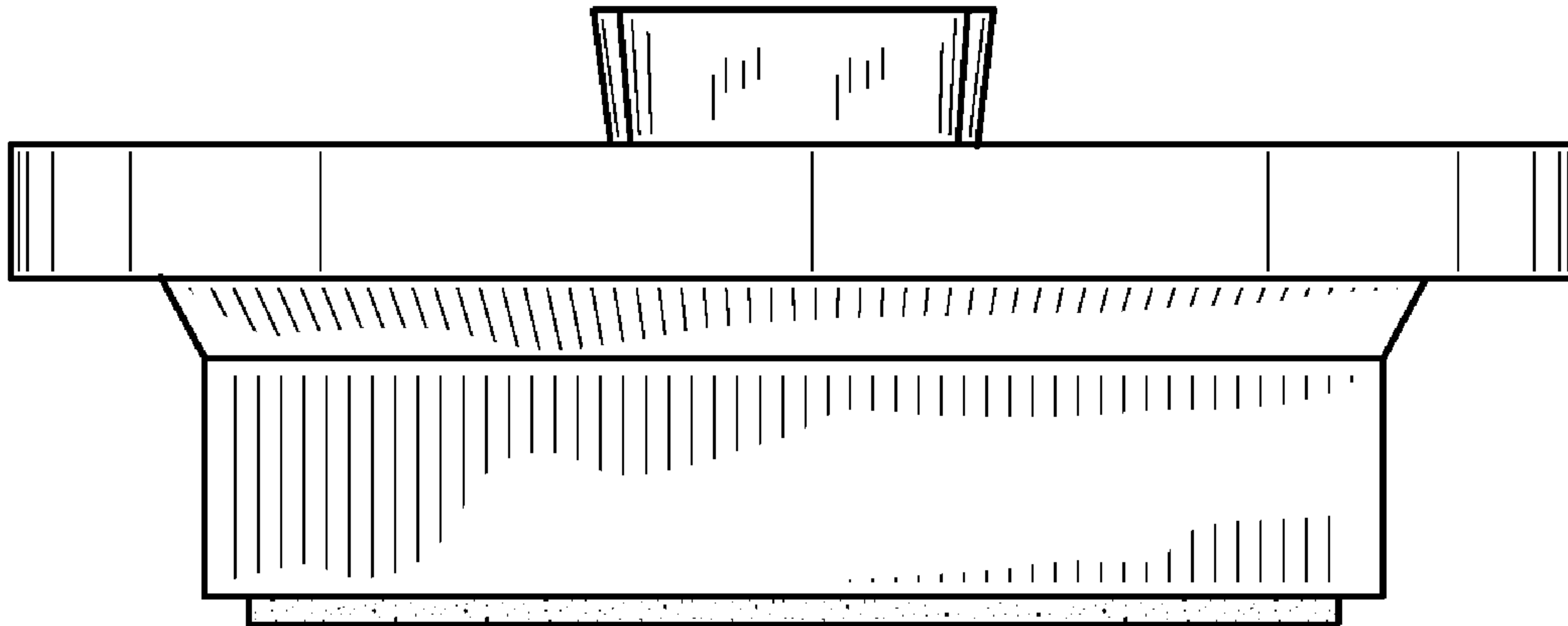


FIG. 6

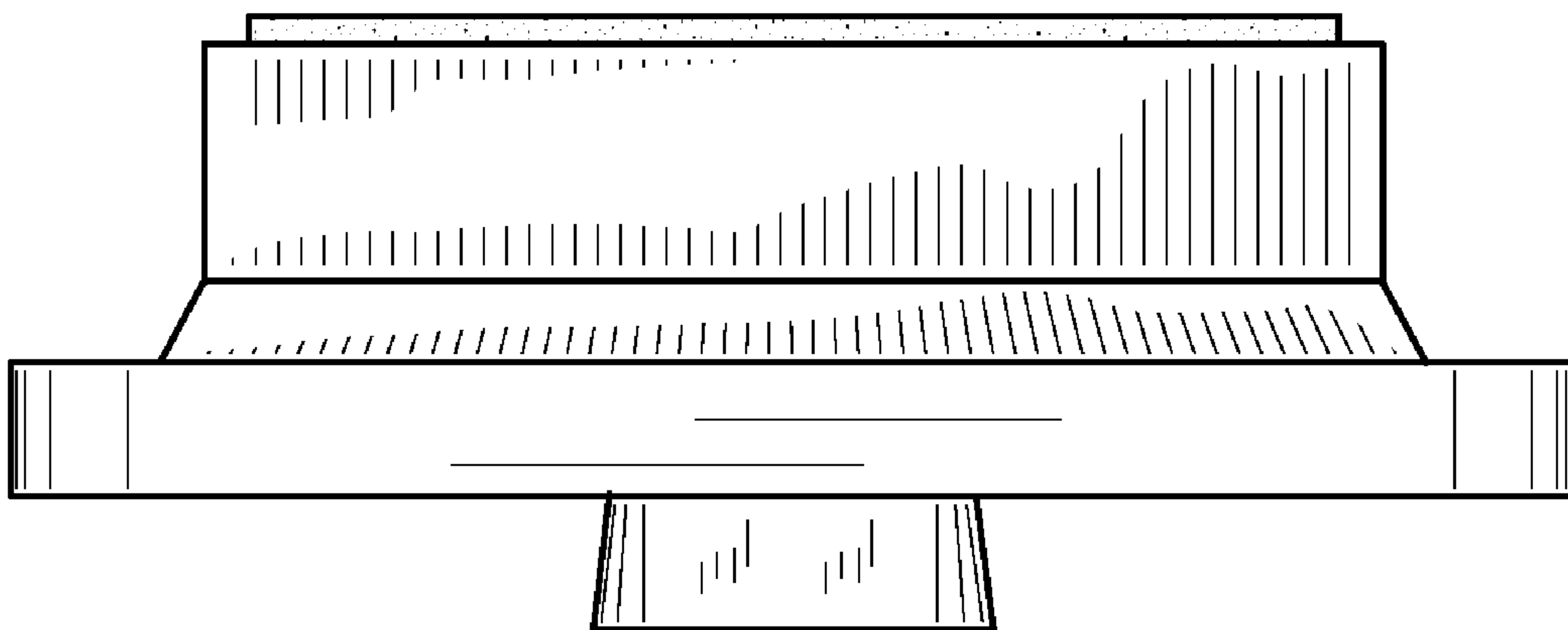


FIG. 7

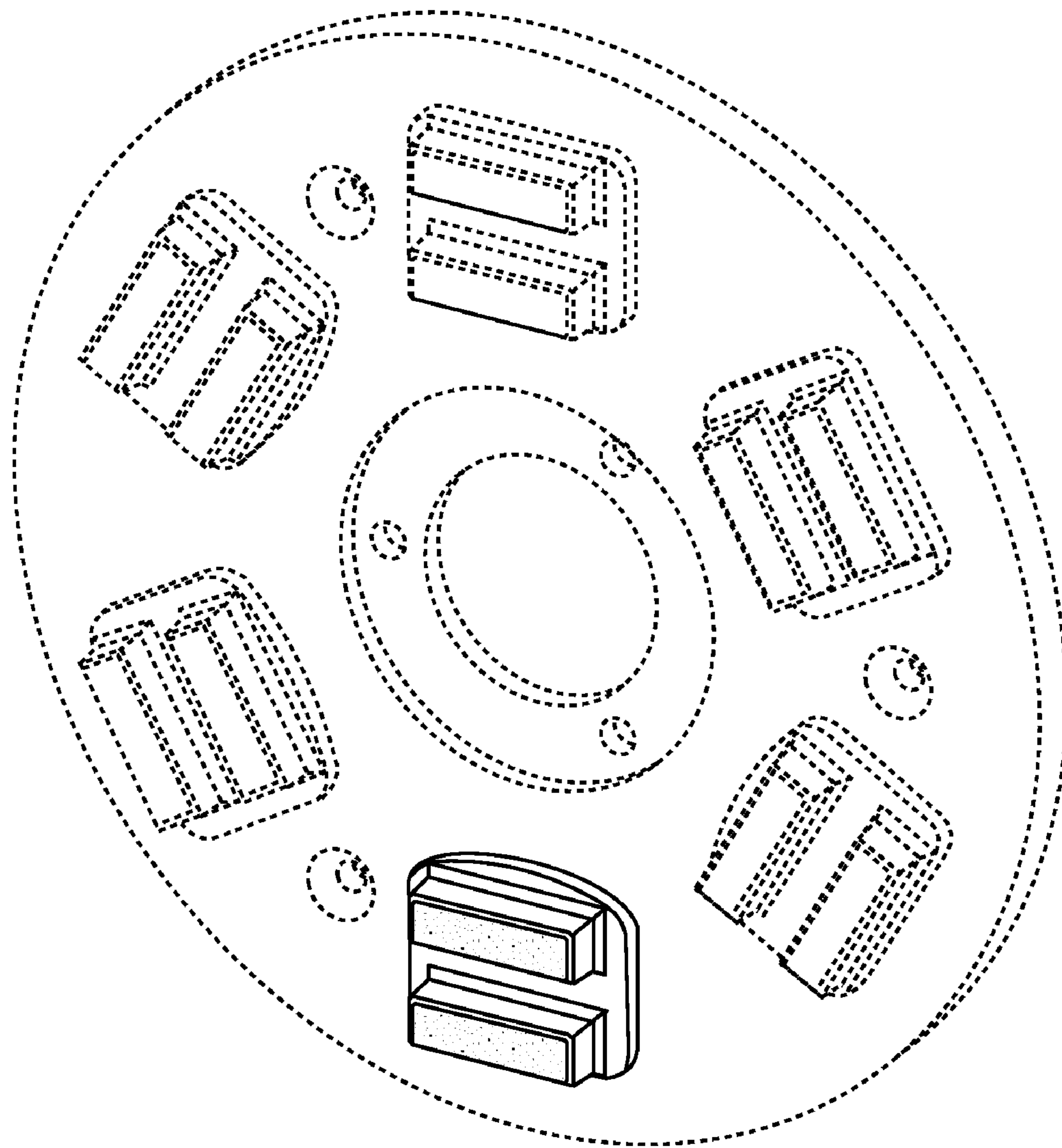


FIG. 8