



US00D595319S

(12) **United States Design Patent**
Park

(10) **Patent No.:** **US D595,319 S**
(45) **Date of Patent:** **** Jun. 30, 2009**

(54) **GRINDING TIP FOR GRINDER**

(76) Inventor: **Rin-Soon Park**, Yongsang APT 1-401,
150-3 Wonjong-Dong, Ojeong-Gu,
Bucheon-Si, Gyeonggi-do (KR) 421-200

(**) Term: **14 Years**

(21) Appl. No.: **29/309,159**

(22) Filed: **Jun. 27, 2008**

(30) **Foreign Application Priority Data**

Dec. 31, 2007 (KR) 30-2007-0054417

(51) **LOC (9) Cl.** **15-09**

(52) **U.S. Cl.** **D15/126**

(58) **Field of Classification Search** D8/70,
D8/71, 90, 98; D15/124, 126, 138, 139;
D21/485, 488, 499, 500, 503, 504; D25/103,
D25/113-118; 83/589, 676, 863; 407/35,
407/42, 112-119; 451/548-551

See application file for complete search history.

(56) **References Cited**

U.S. PATENT DOCUMENTS

970,619	A *	9/1910	Gardner	451/548
5,454,752	A *	10/1995	Sexton et al.	451/548
D389,408	S *	1/1998	Rask et al.	D9/451
5,782,682	A *	7/1998	Han et al.	451/548
D486,839	S *	2/2004	Sunagawa et al.	D15/126

D519,530	S *	4/2006	Thysell et al.	D15/126
D541,124	S *	4/2007	Popov	D8/70

* cited by examiner

Primary Examiner—Sandra Snapp
Assistant Examiner—Patricia Palasik
(74) *Attorney, Agent, or Firm*—The Nath Law Group; Jerald L. Meyer; Jiaxiao Zhang

(57) **CLAIM**

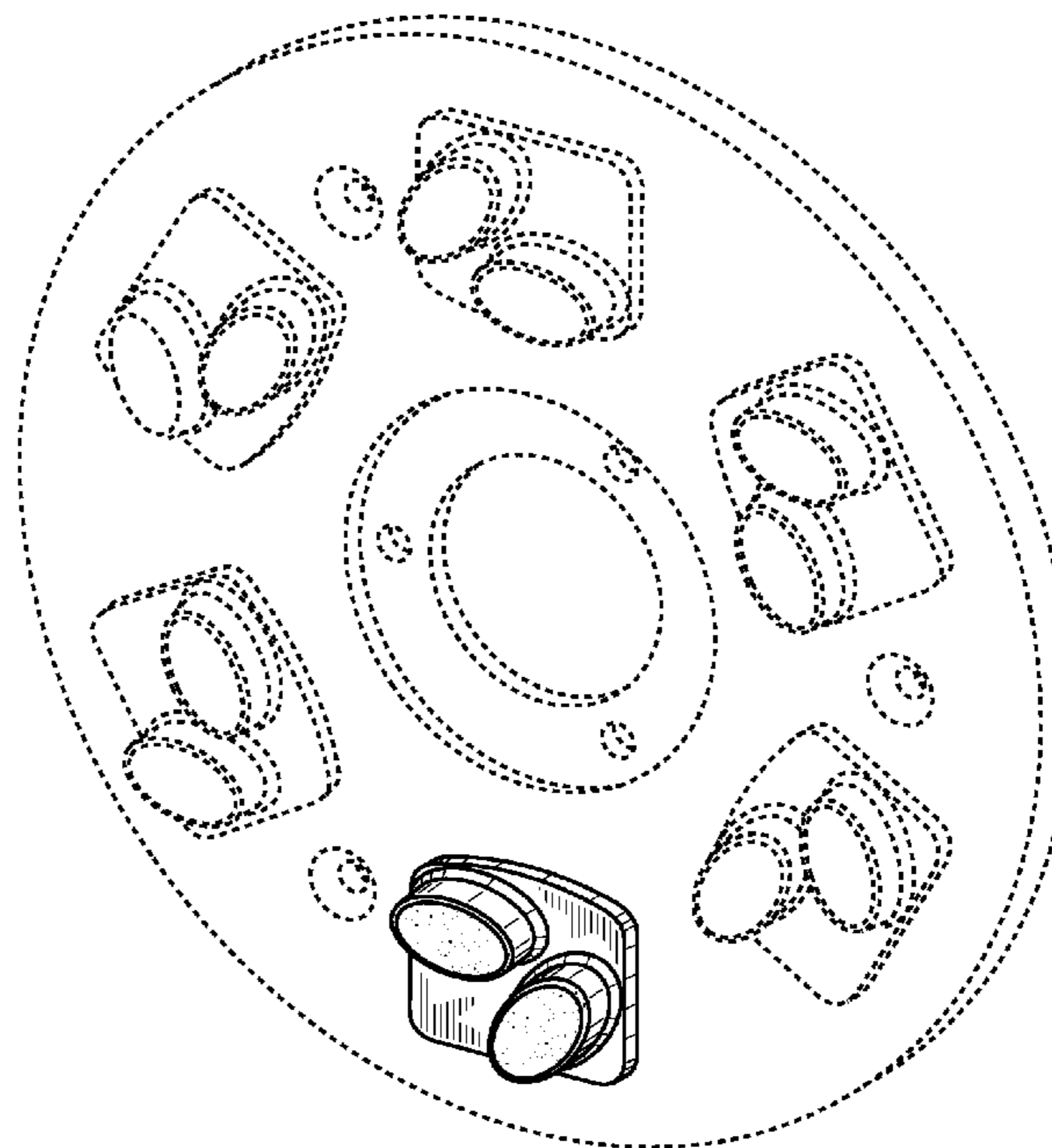
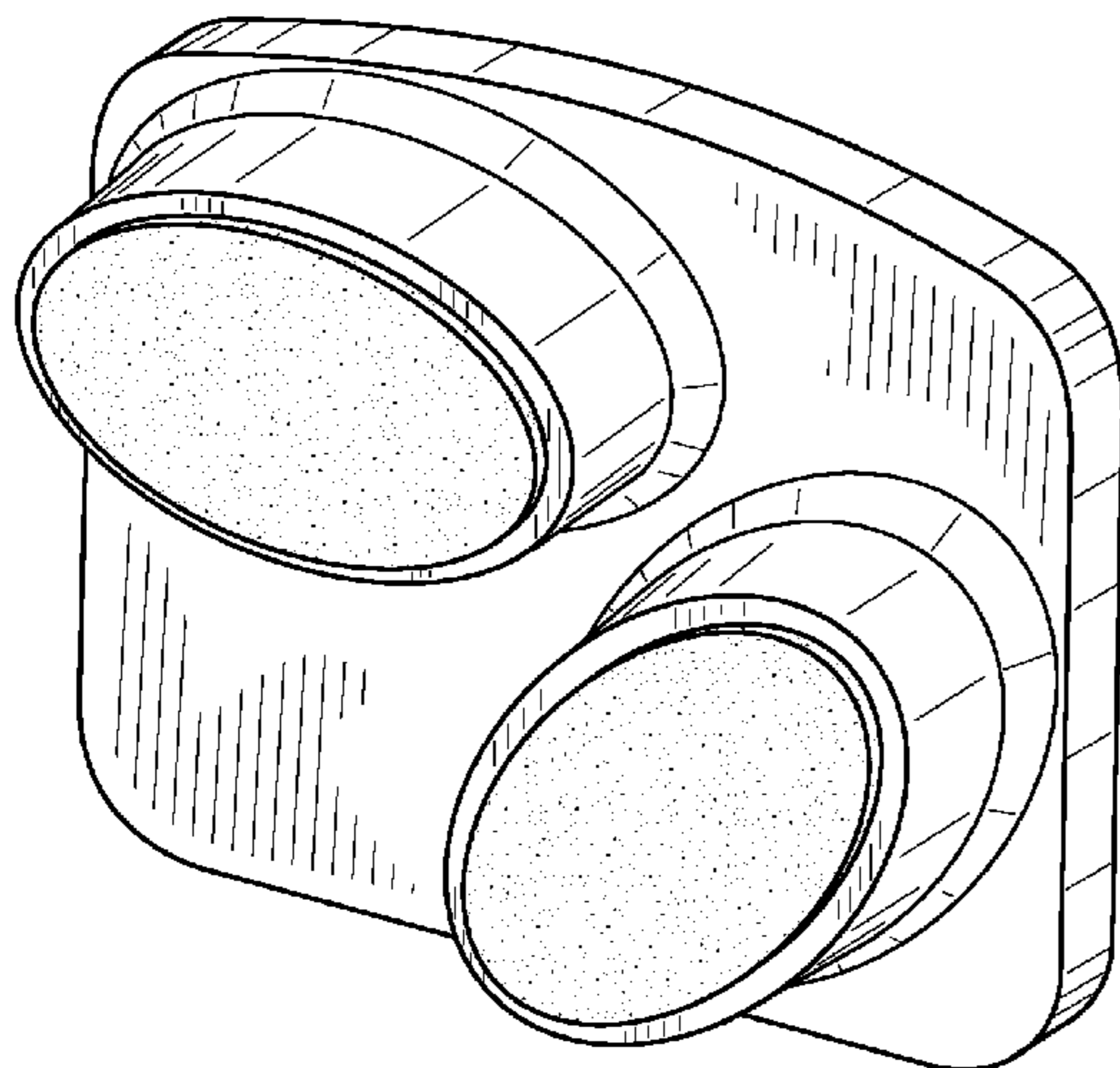
The ornamental design for a grinding tip for grinder, as shown and described.

DESCRIPTION

FIG. 1 is a perspective view of the grinding tip for grinder; FIG. 2 is a front view of the grinding tip for grinder; FIG. 3 is a rear view of the grinding tip for grinder; FIG. 4 is a left side view of the grinding tip for grinder; FIG. 5 is a right side view of the grinding tip for grinder; FIG. 6 is a ground view of the grinding tip for grinder; FIG. 7 is a bottom view of the grinding tip for grinder; and, FIG. 8 is a reference design view of multiple grinding tips for grinder mounted on the grinding wheel.

The broken lines are for illustrative purposes only and form no part of the claimed design.

1 Claim, 6 Drawing Sheets



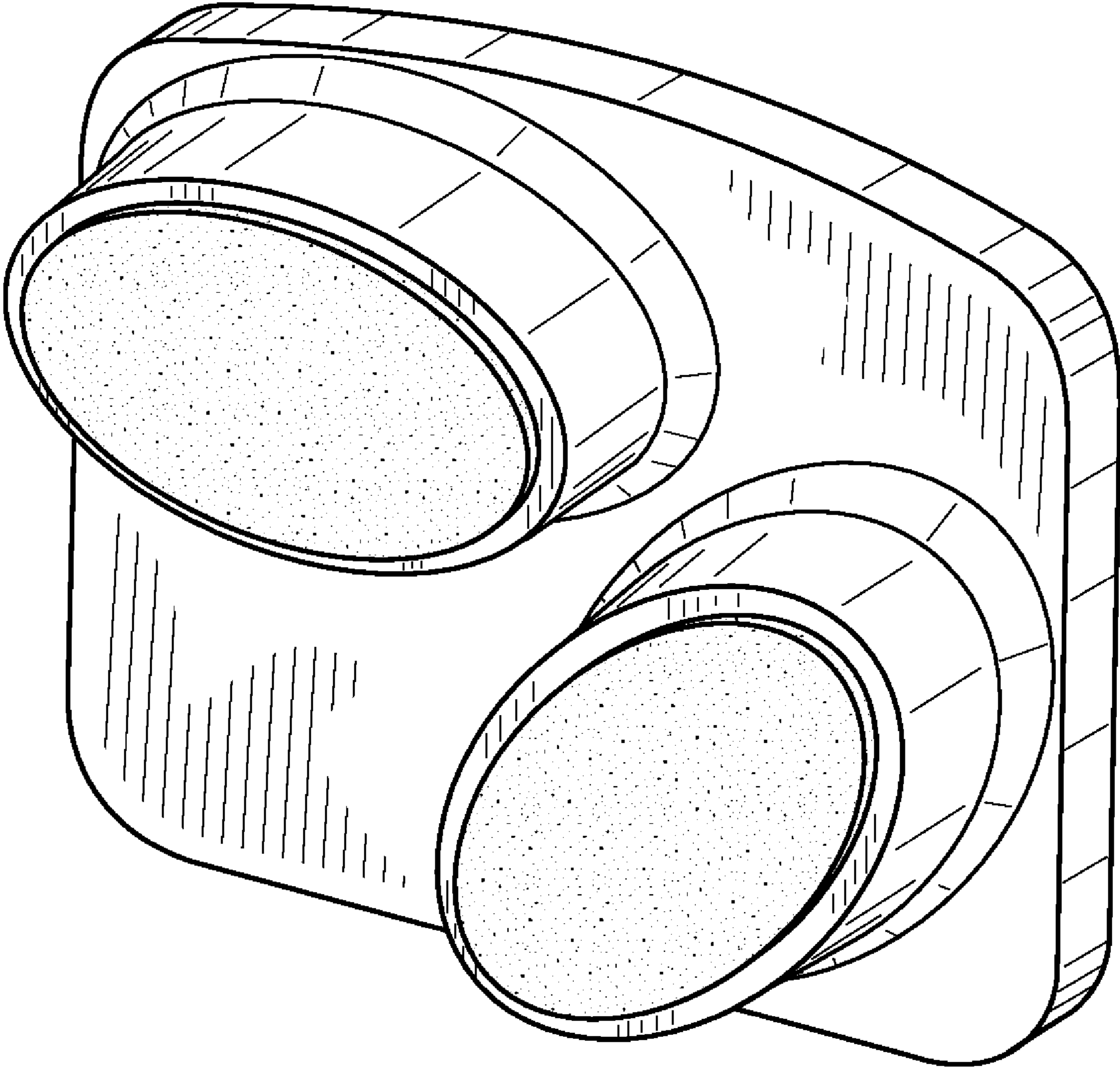


FIG. 1

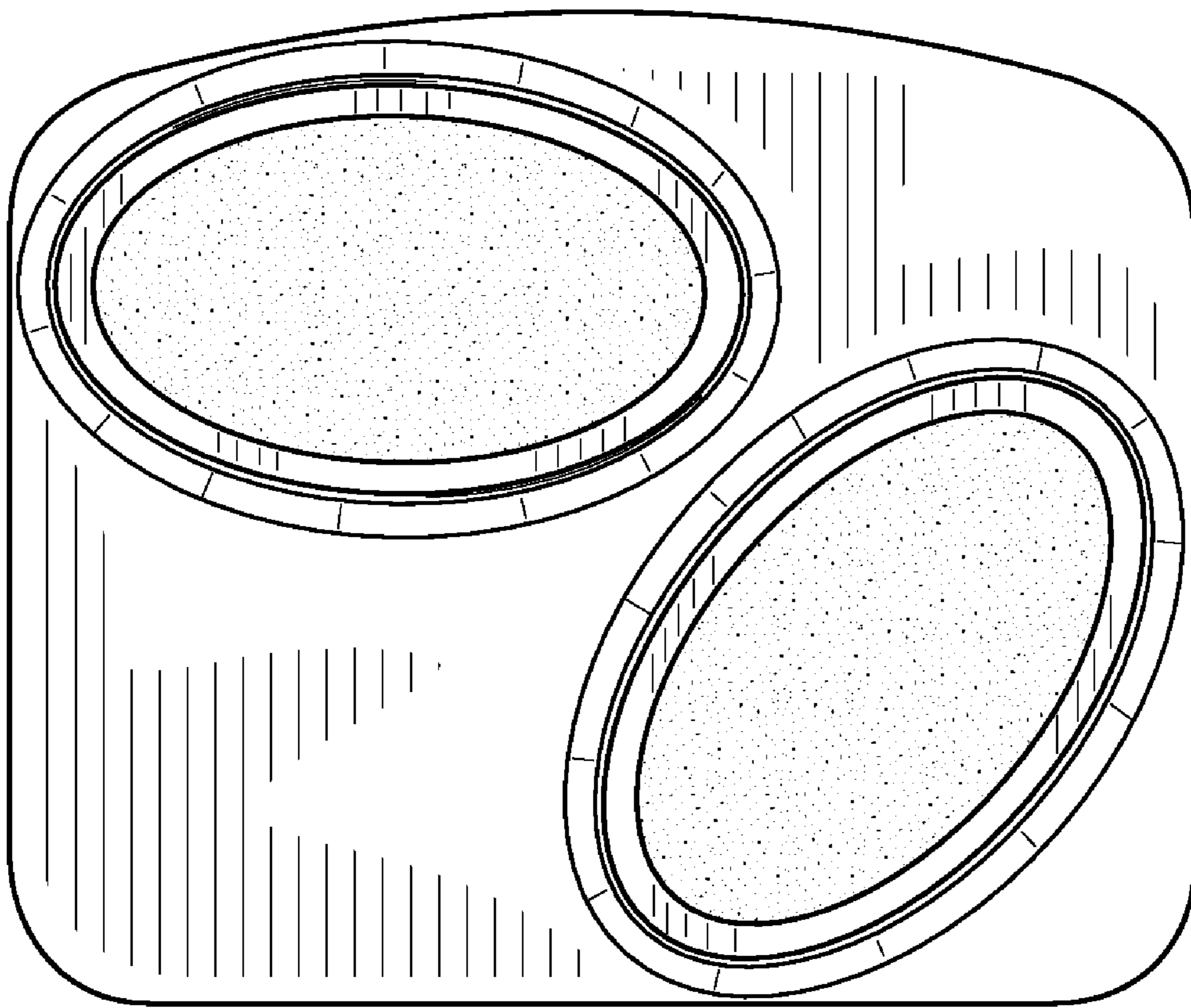


FIG. 2

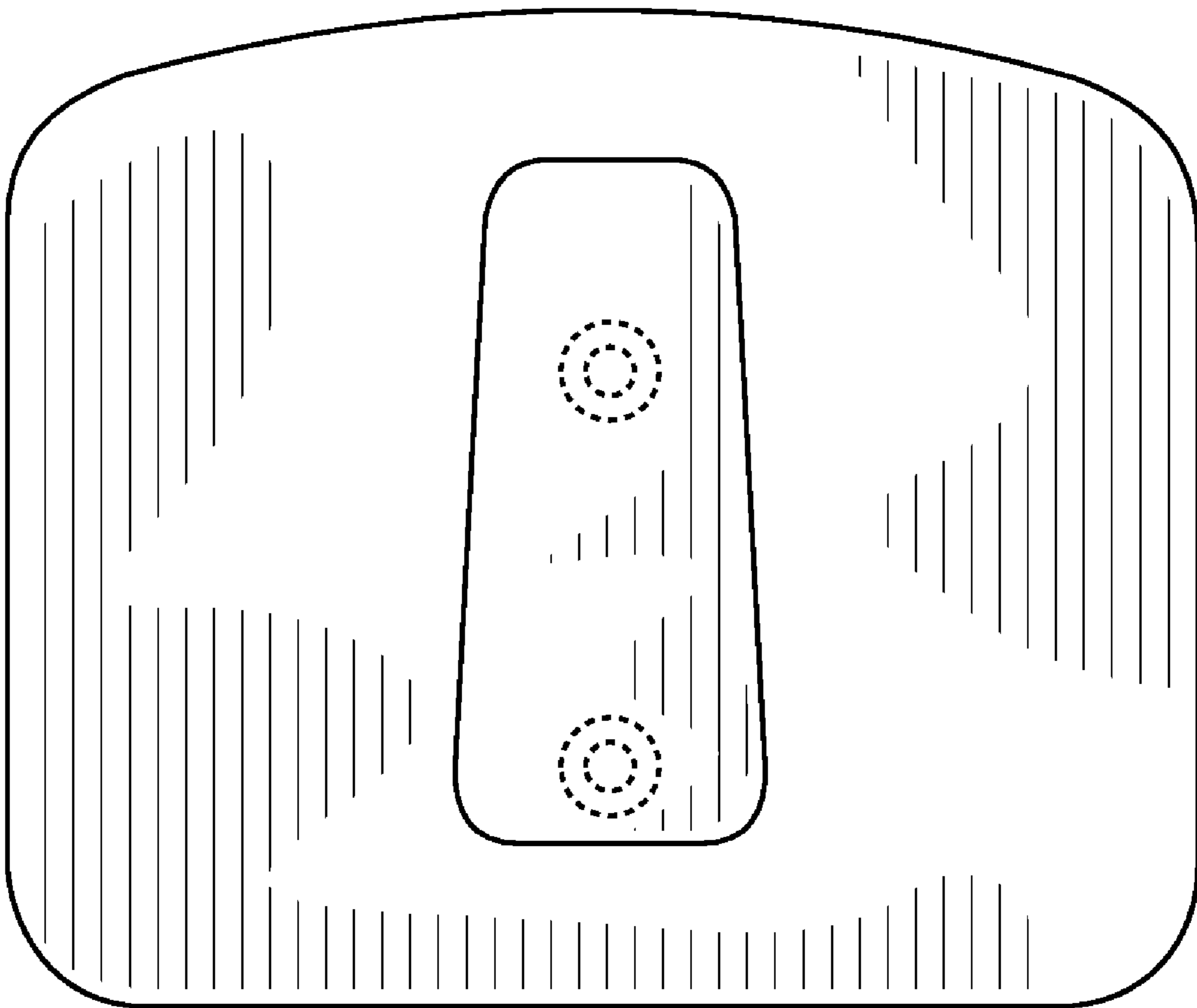


FIG. 3

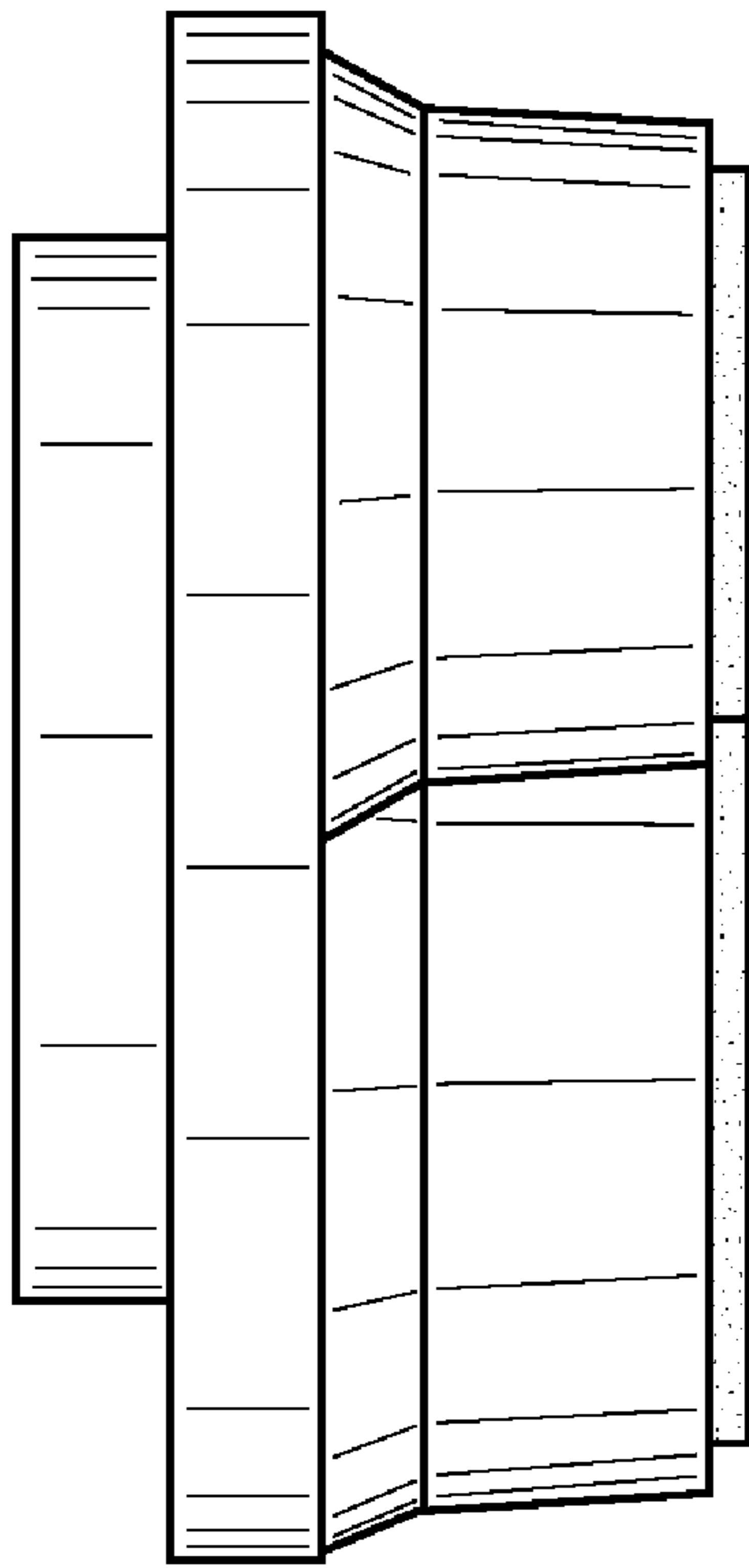


FIG. 4

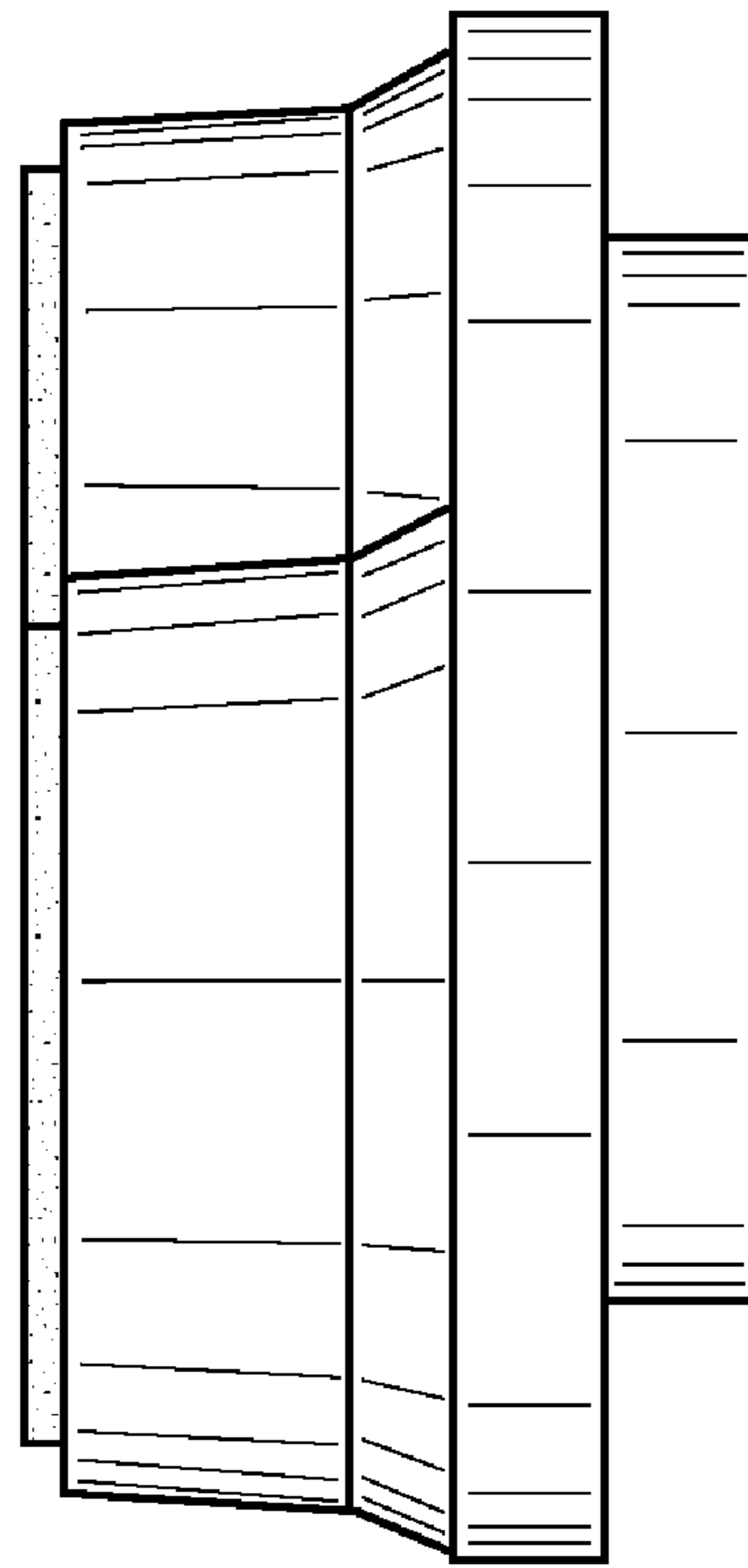


FIG. 5

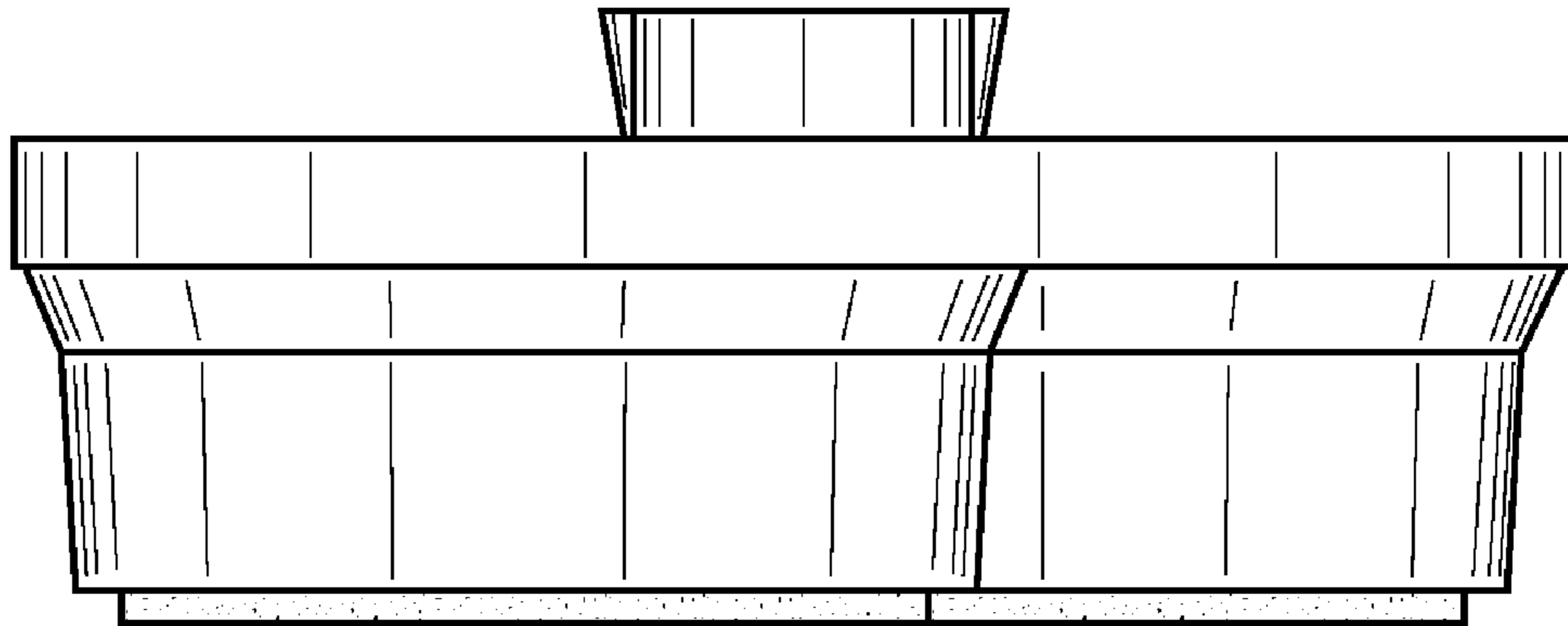


FIG. 6

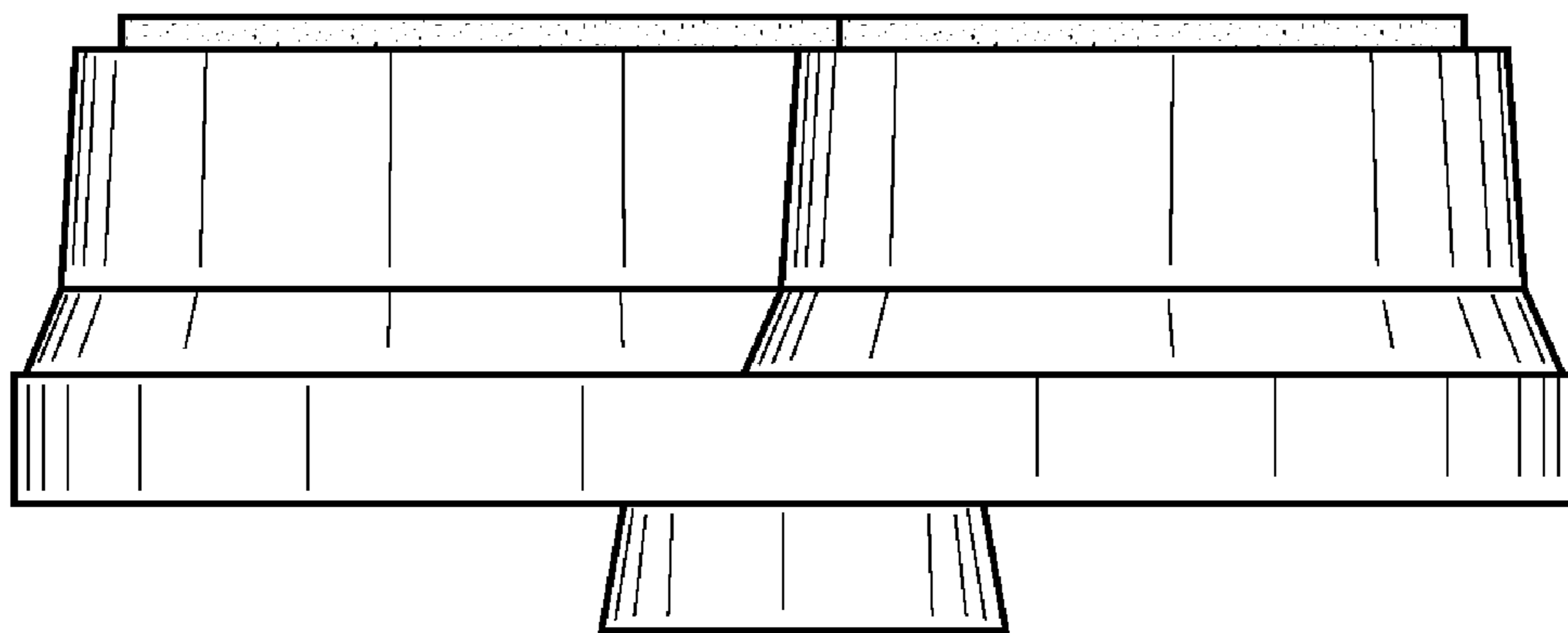


FIG. 7

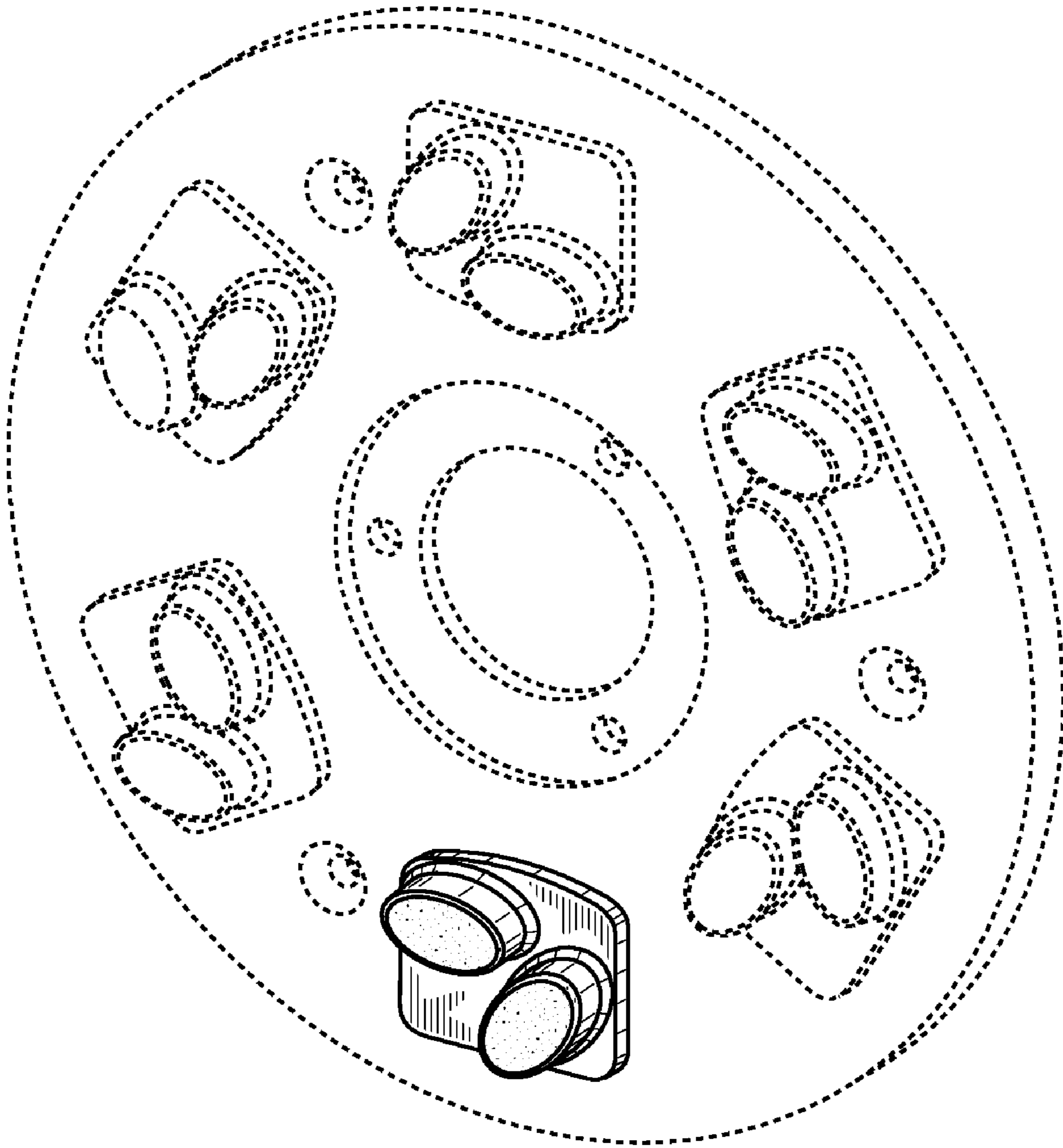


FIG. 8