

US00D595318S

(12) **United States Design Patent**
Cigarini

(10) **Patent No.:** **US D595,318 S**

(45) **Date of Patent:** **** Jun. 30, 2009**

(54) **BENCH CHAIN GRINDER**

(75) **Inventor:** **Enrico Cigarini**, San Bartolomeo (IT)

(73) **Assignee:** **TECOMEC S.p.A.**, Bagnolo in Piano (IT)

(**) **Term:** **14 Years**

(21) **Appl. No.:** **29/297,194**

(22) **Filed:** **Nov. 6, 2007**

(30) **Foreign Application Priority Data**

Oct. 12, 2007 (CA) 122683

(51) **LOC (9) Cl.** **15-09**

(52) **U.S. Cl.** **D15/125**

(58) **Field of Classification Search** D8/61,
D8/64; D15/123, 124, 125; 144/1 A, 1 R,
144/16; 451/72, 259-262, 310, 365
See application file for complete search history.

(56) **References Cited**

U.S. PATENT DOCUMENTS

3,071,026	A *	1/1963	De Witt	76/40
3,779,103	A *	12/1973	Silvey	76/80.5
3,877,324	A *	4/1975	Silvey	76/80.5
4,416,169	A *	11/1983	Silvey	76/80.5
4,836,058	A *	6/1989	Shepherd	76/80.5
5,117,713	A *	6/1992	Markusson	76/40
5,525,095	A *	6/1996	Baughman	451/72

D458,617	S *	6/2002	Wang	D15/124
7,175,512	B2 *	2/2007	Huntington et al.	451/234
D559,872	S *	1/2008	Pfaff	D15/124
2002/0045404	A1 *	4/2002	Cantoro	451/8
2005/0183545	A1 *	8/2005	Huntington et al.	76/80.5

* cited by examiner

Primary Examiner—Sandra Snapp

Assistant Examiner—Patricia Palasik

(74) *Attorney, Agent, or Firm*—Pearne & Gordon LLP

(57) **CLAIM**

The ornamental design for a bench chain grinder, as shown and described.

DESCRIPTION

FIG. 1 is a front-right perspective view of a bench chain grinder, showing my new design;

FIG. 2 is a front elevational view thereof;

FIG. 3 is a left side elevational view thereof;

FIG. 4 is a back elevational view thereof;

FIG. 5 is a right side elevational view thereof;

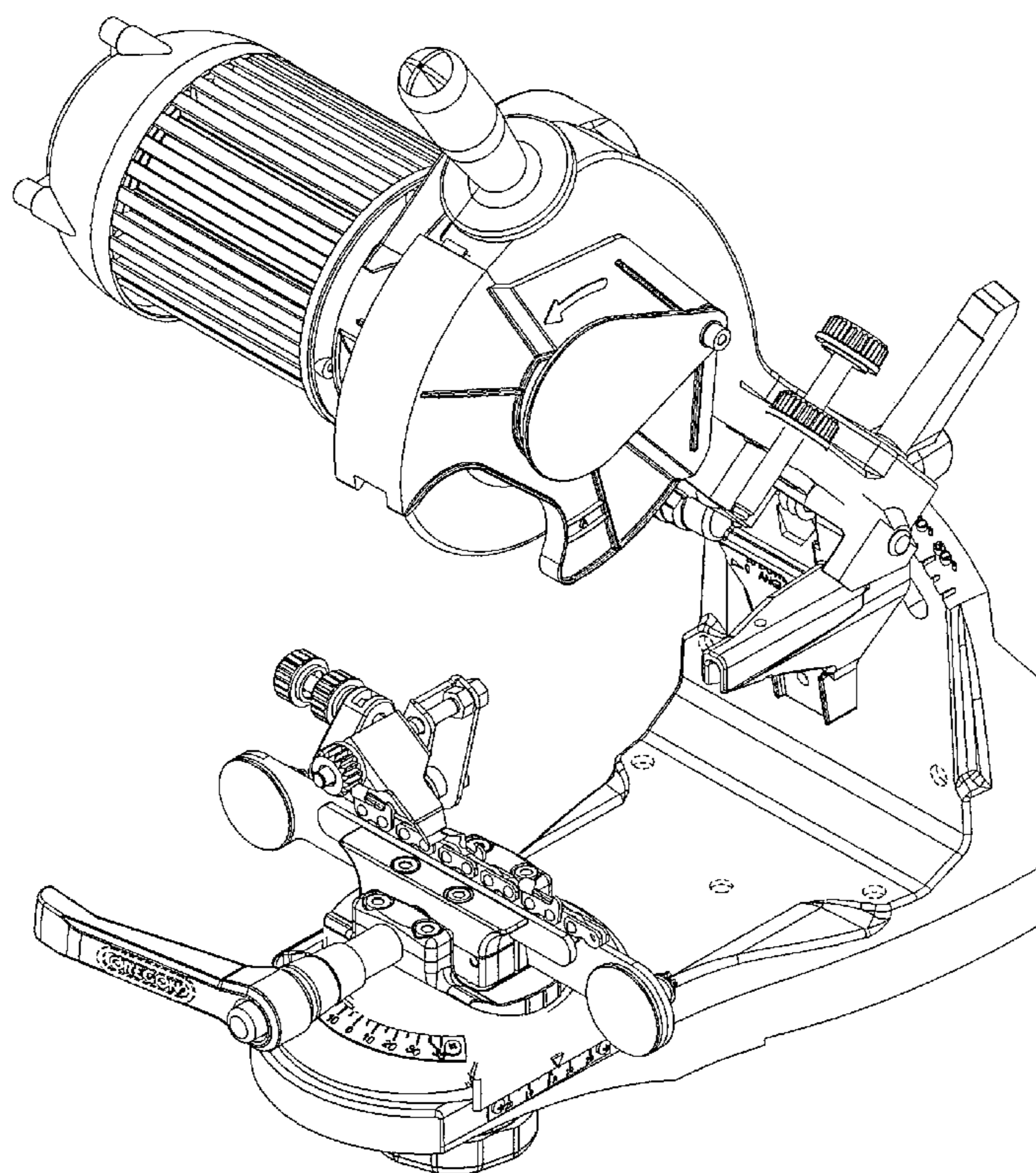
FIG. 6 is a top plan view thereof;

FIG. 7 is a bottom plan view thereof; and,

FIG. 8 is a back-left perspective view thereof.

The broken lines in the drawings depict unclaimed environmental subject matter.

1 Claim, 8 Drawing Sheets



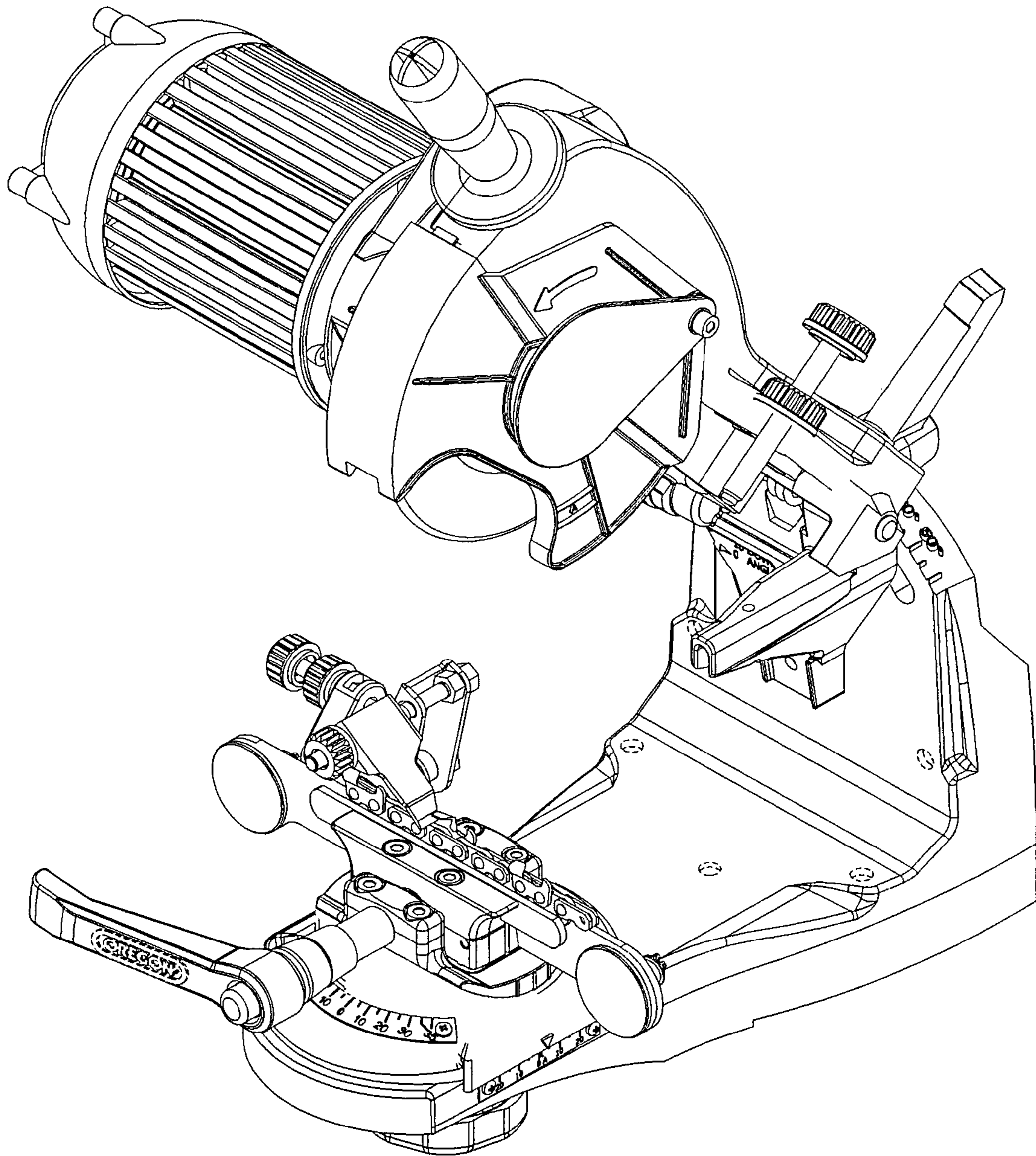


FIG. 1

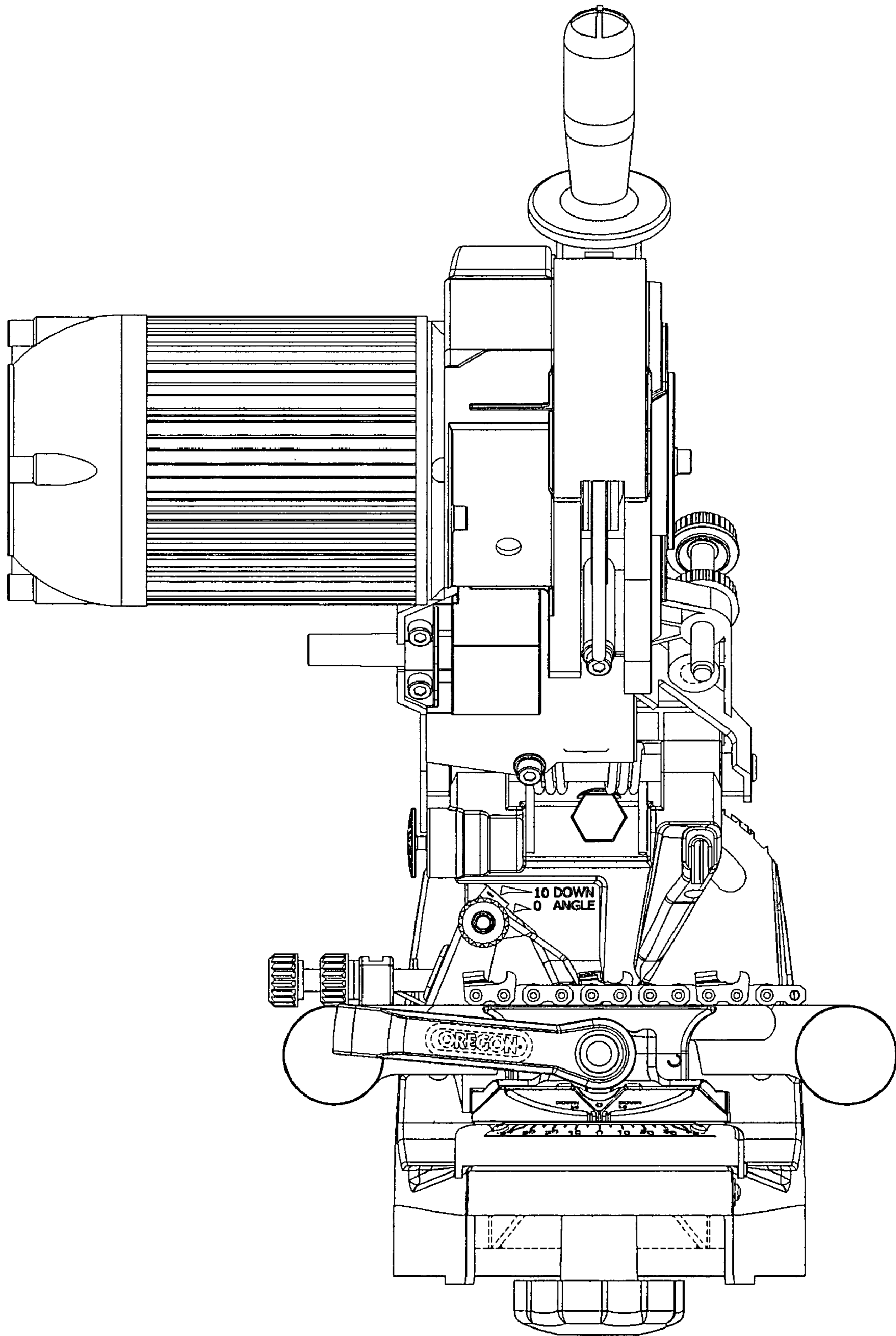


FIG. 2

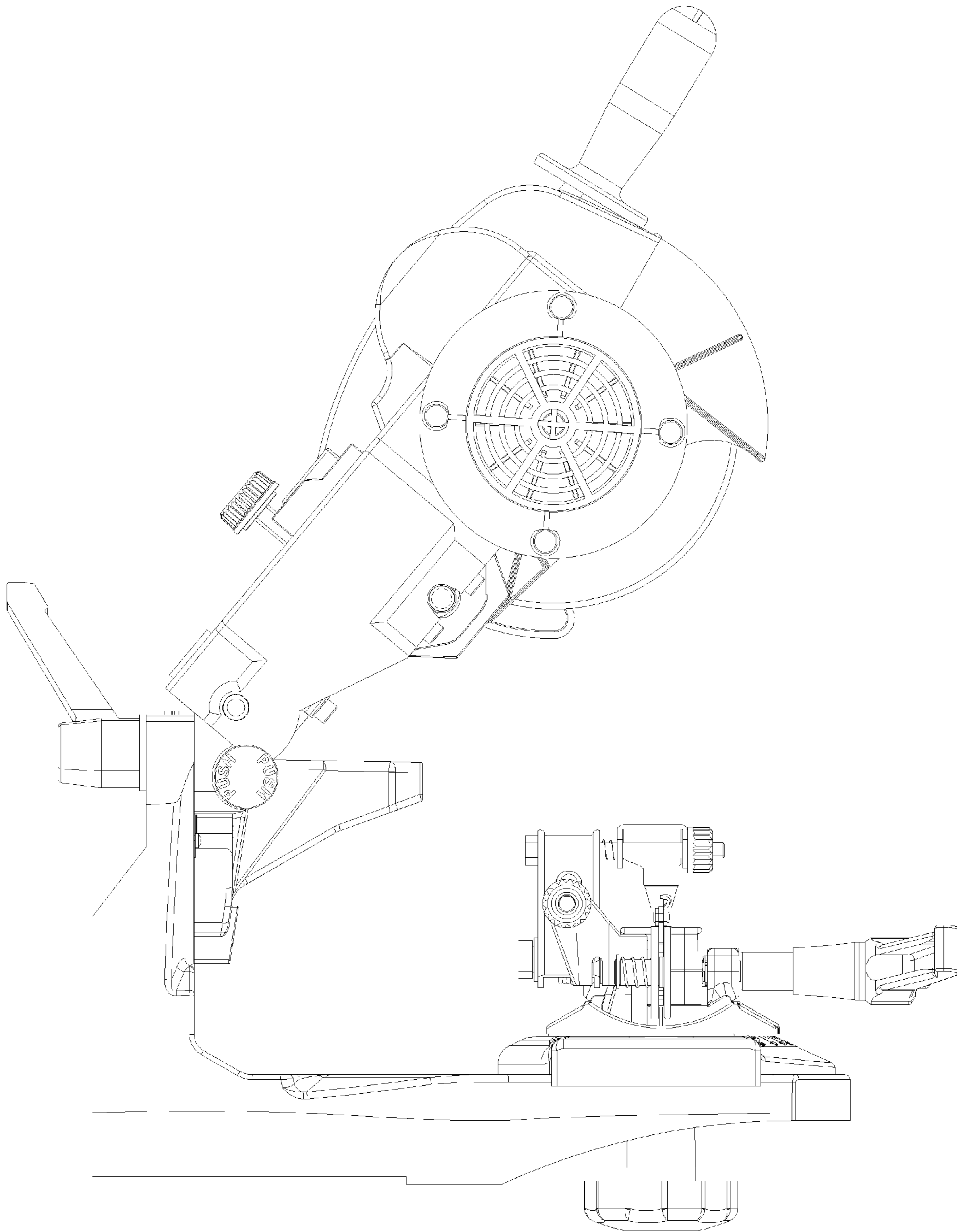


FIG. 3

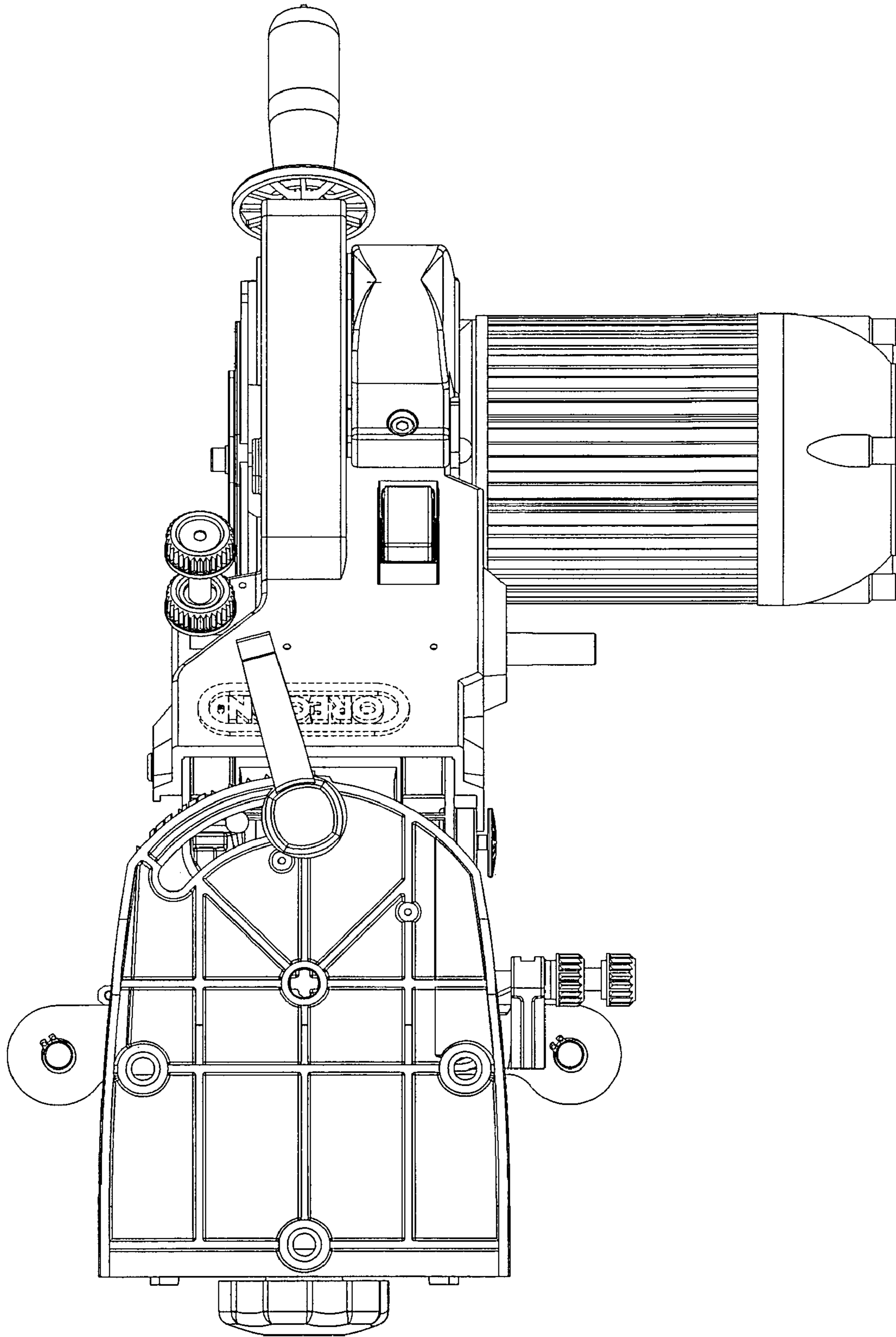


FIG. 4

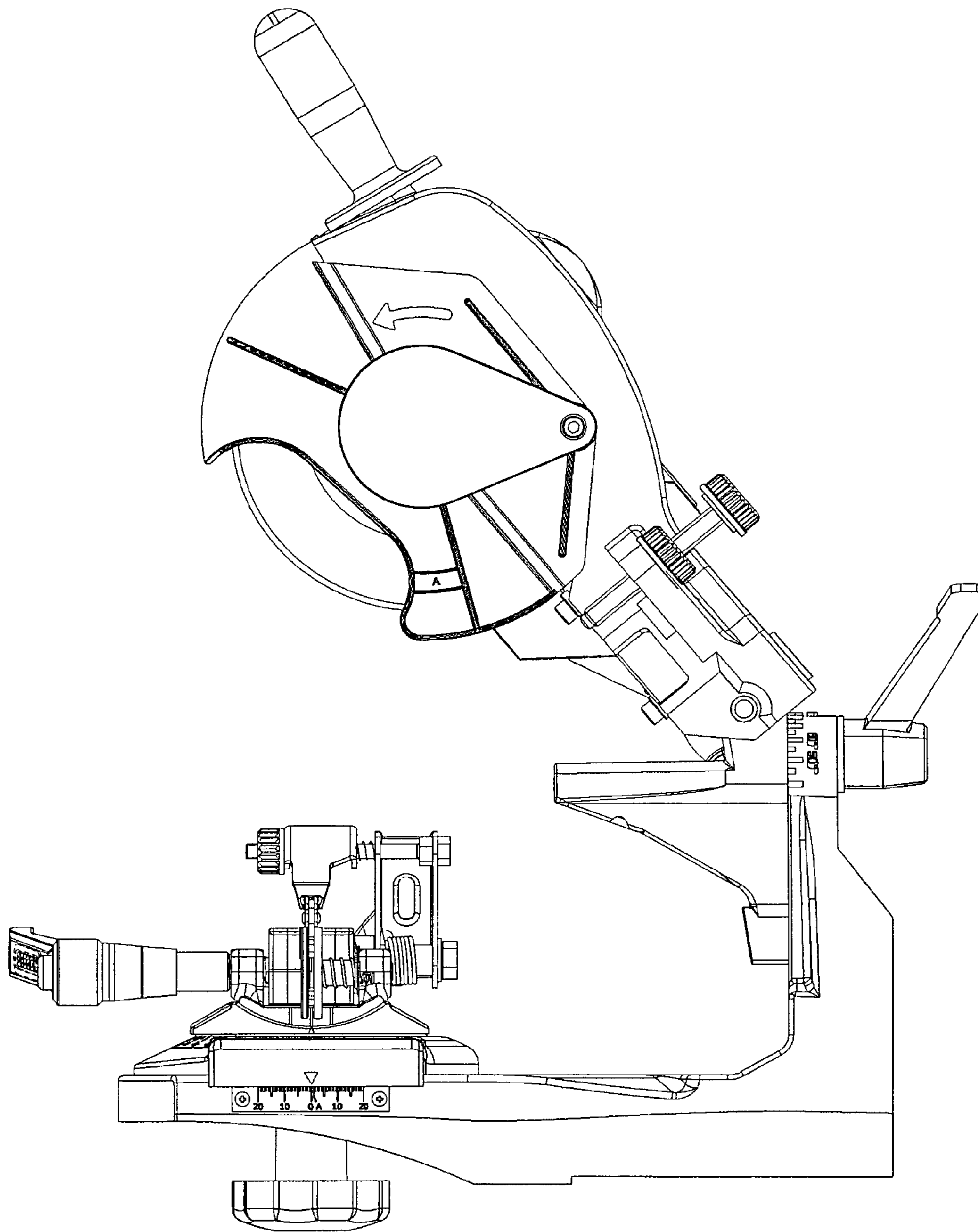


FIG. 5

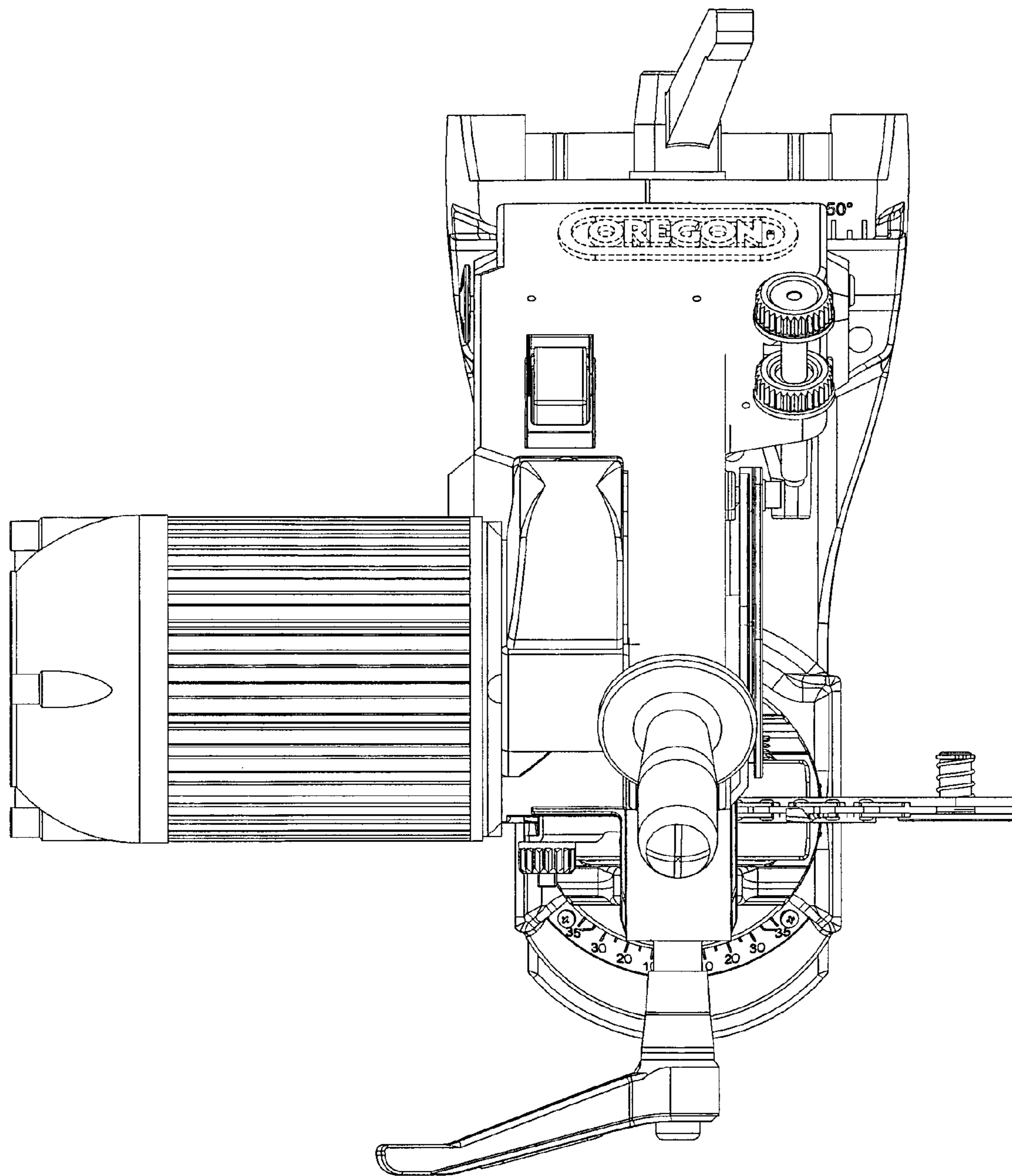


FIG. 6

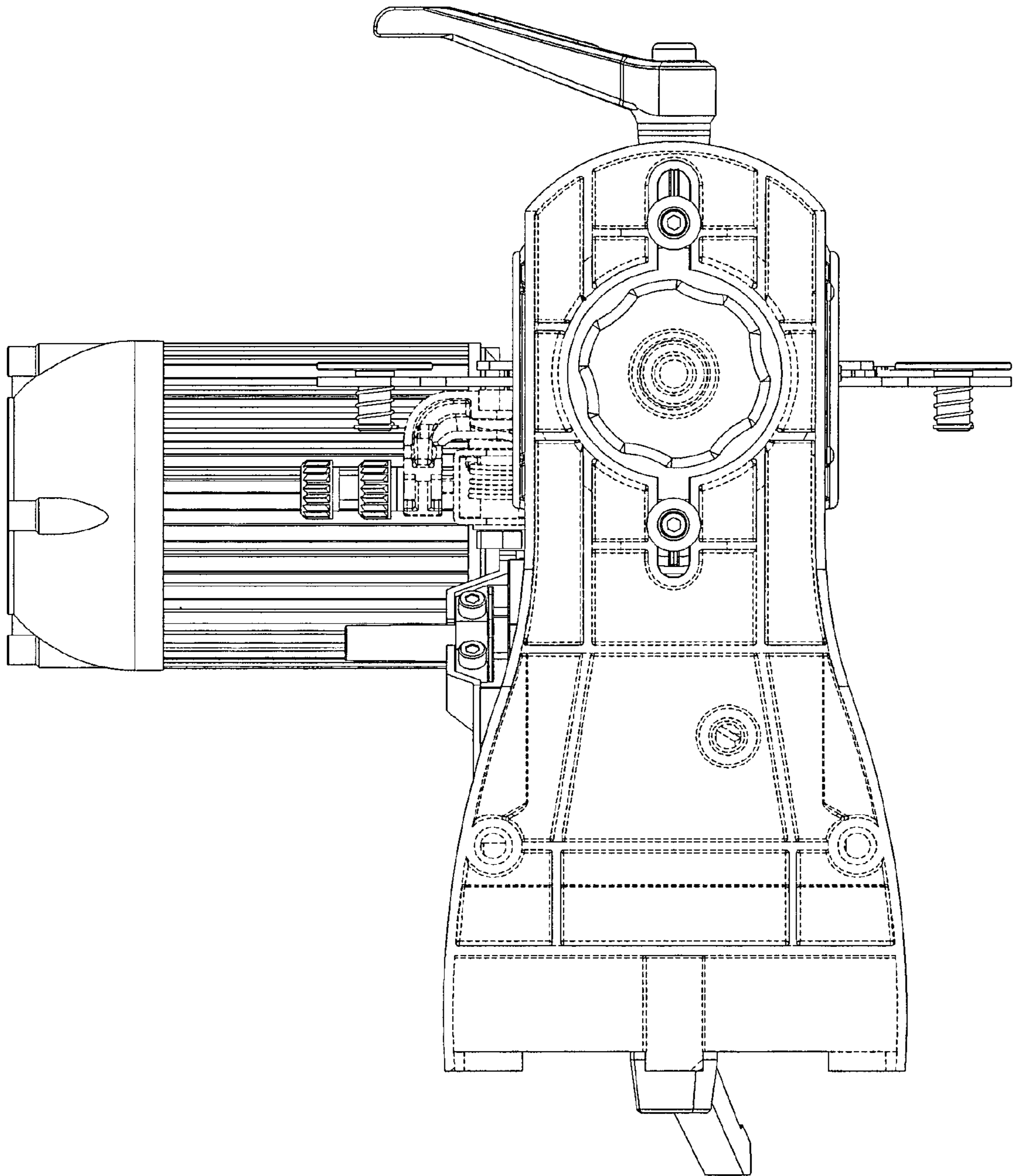


FIG. 7

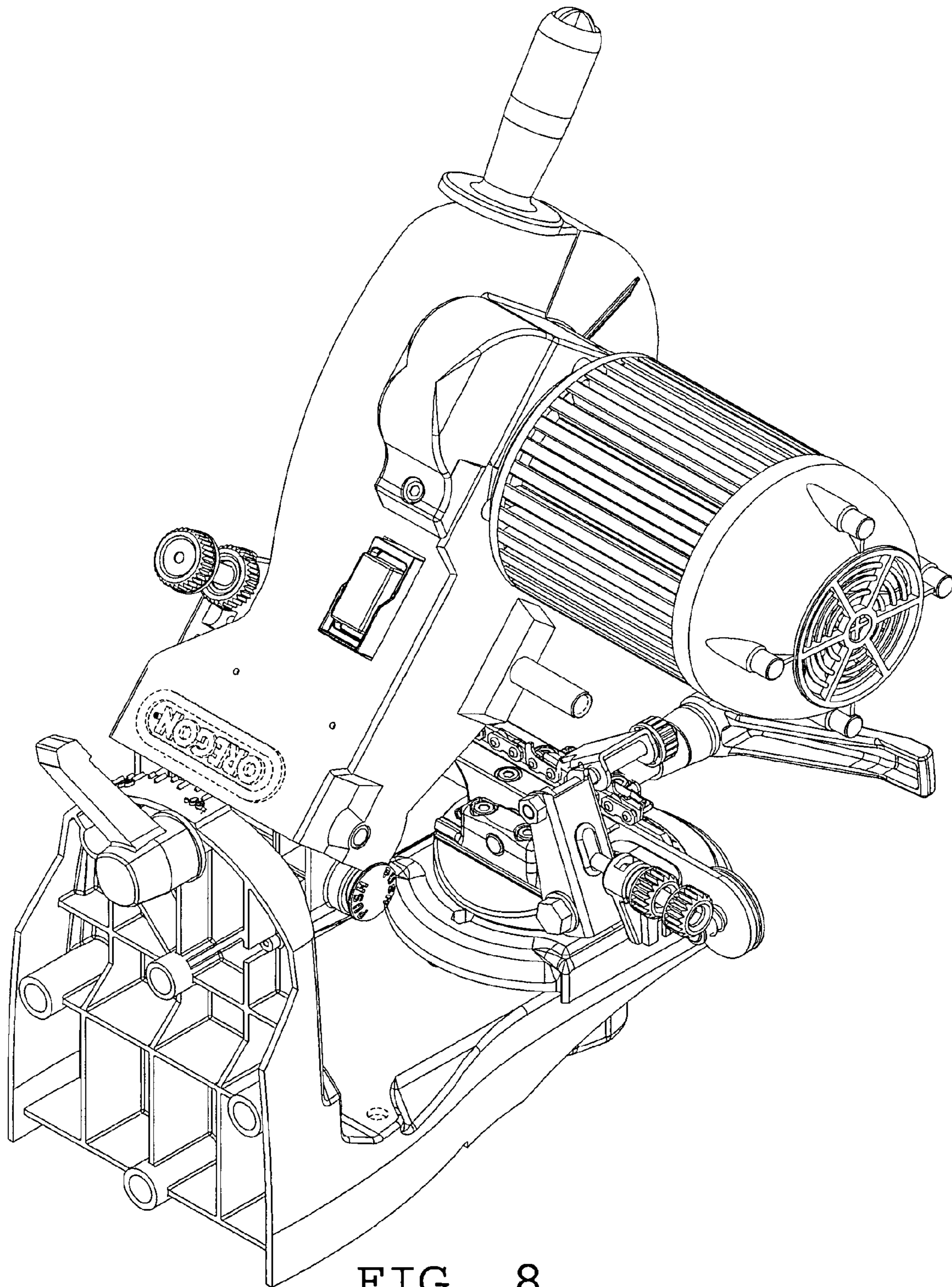


FIG. 8