



US00D595317S

(12) **United States Design Patent**
Dinsdale

(10) **Patent No.:** **US D595,317 S**

(45) **Date of Patent:** **** Jun. 30, 2009**

(54) **POLISHING MACHINE**

(75) Inventor: **Wayne Edmund Dinsdale**, Stoke on Trent (GB)

(73) Assignee: **THW Engineering B.V.**, Malden (NL)

(**) Term: **14 Years**

(21) Appl. No.: **29/317,119**

(22) Filed: **Apr. 23, 2008**

(30) **Foreign Application Priority Data**

Oct. 24, 2007 (EM) 000814264-0001

(51) **LOC (9) Cl.** **15-09**

(52) **U.S. Cl.** **D15/124**

(58) **Field of Classification Search** D15/123,
D15/124, 125, 126; 156/293; 385/85; 451/5,
451/6, 28, 36, 41, 42, 59, 271, 288, 364
See application file for complete search history.

(56) **References Cited**

U.S. PATENT DOCUMENTS

- D138,971 S * 10/1944 Bowen D15/124
- D210,893 S * 4/1968 Fischione D15/124
- D228,616 S * 10/1973 Tomo D15/124
- 4,512,107 A * 4/1985 Jones D15/124
- 4,760,672 A * 8/1988 Darcangelo et al. D15/124
- D390,577 S * 2/1998 Imahashi D15/124
- D395,054 S * 6/1998 Mochinzuki D15/124
- D474,212 S * 5/2003 Domaille et al. D15/124

D510,368 S * 10/2005 Narita D15/124

* cited by examiner

Primary Examiner—Sandra Snapp

Assistant Examiner—Patricia Palasik

(74) *Attorney, Agent, or Firm*—Michael Best & Friedrich LLP

(57) **CLAIM**

I claim the ornamental design for a polishing machine, as shown and described.

DESCRIPTION

FIG. 1 is a perspective view of a polishing machine.

FIG. 2 is bottom view of the polishing machine shown in FIG. 1.

FIG. 3 is a front view of the polishing machine shown in FIG. 1.

FIG. 4 is a rear view of the polishing machine shown in FIG. 1.

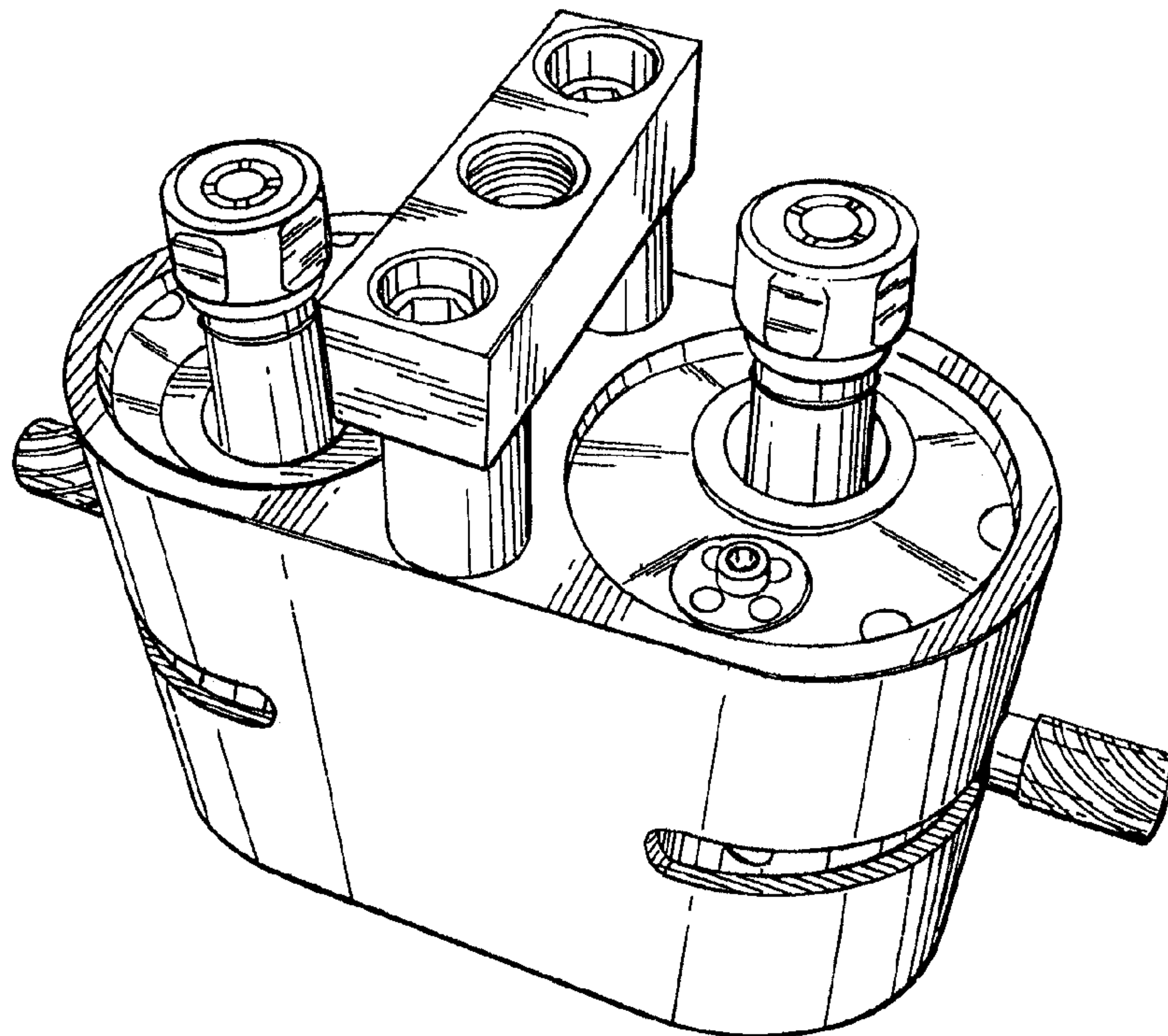
FIG. 5 is a right side view of the polishing machine shown in FIG. 1.

FIG. 6 is a left side view of the polishing machine shown in FIG. 1; and,

FIG. 7 is a top view of the polishing machine shown in FIG. 1.

The broken lines in the drawings depict unclaimed environmental subject matter.

1 Claim, 7 Drawing Sheets



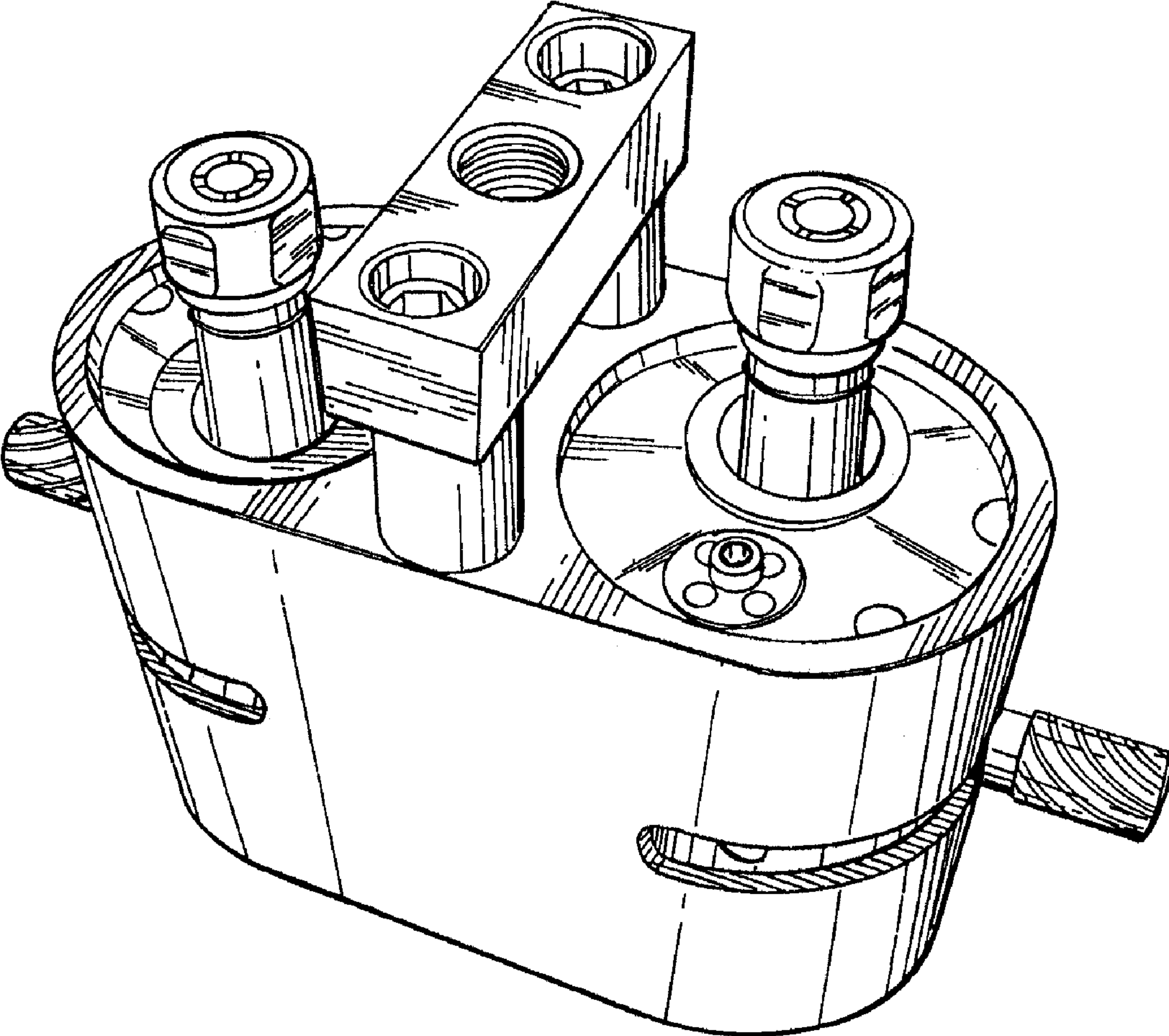


FIG. 1

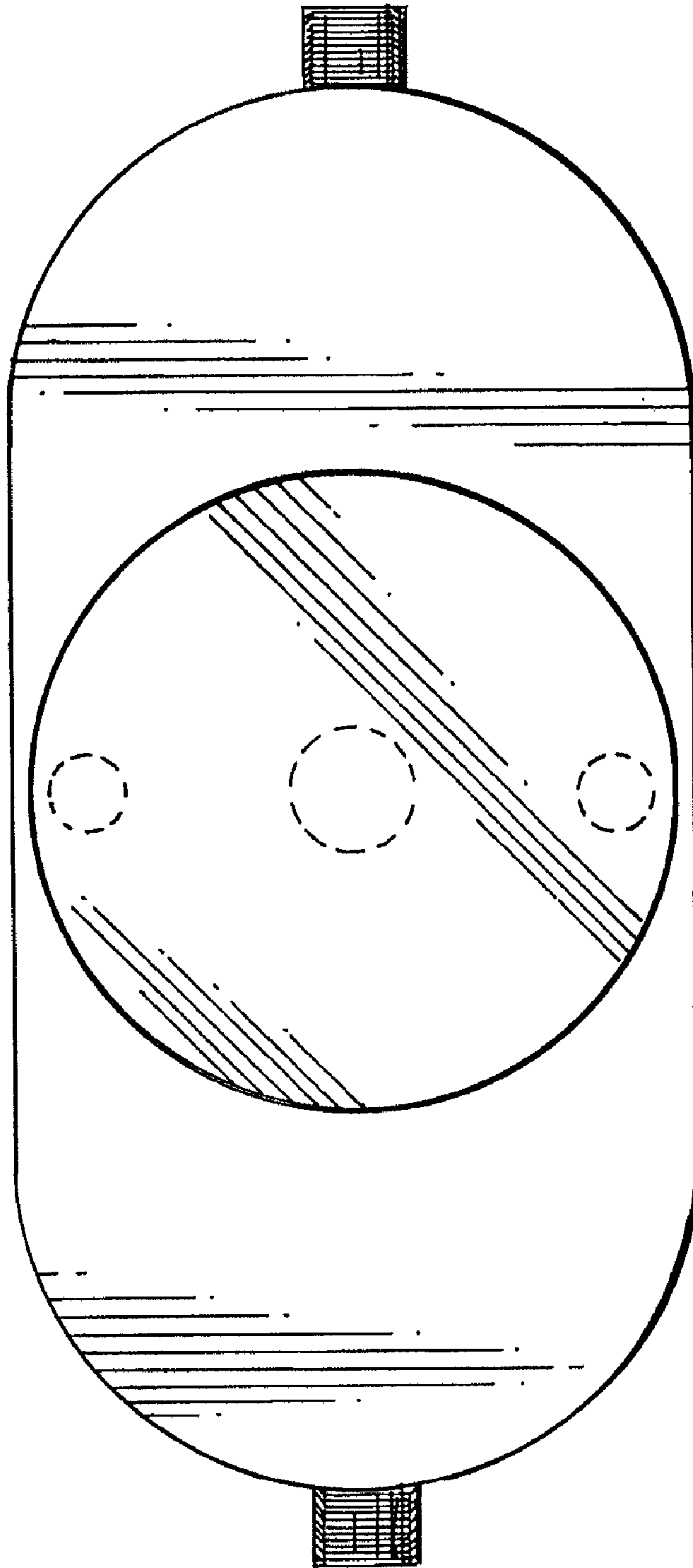


FIG. 2

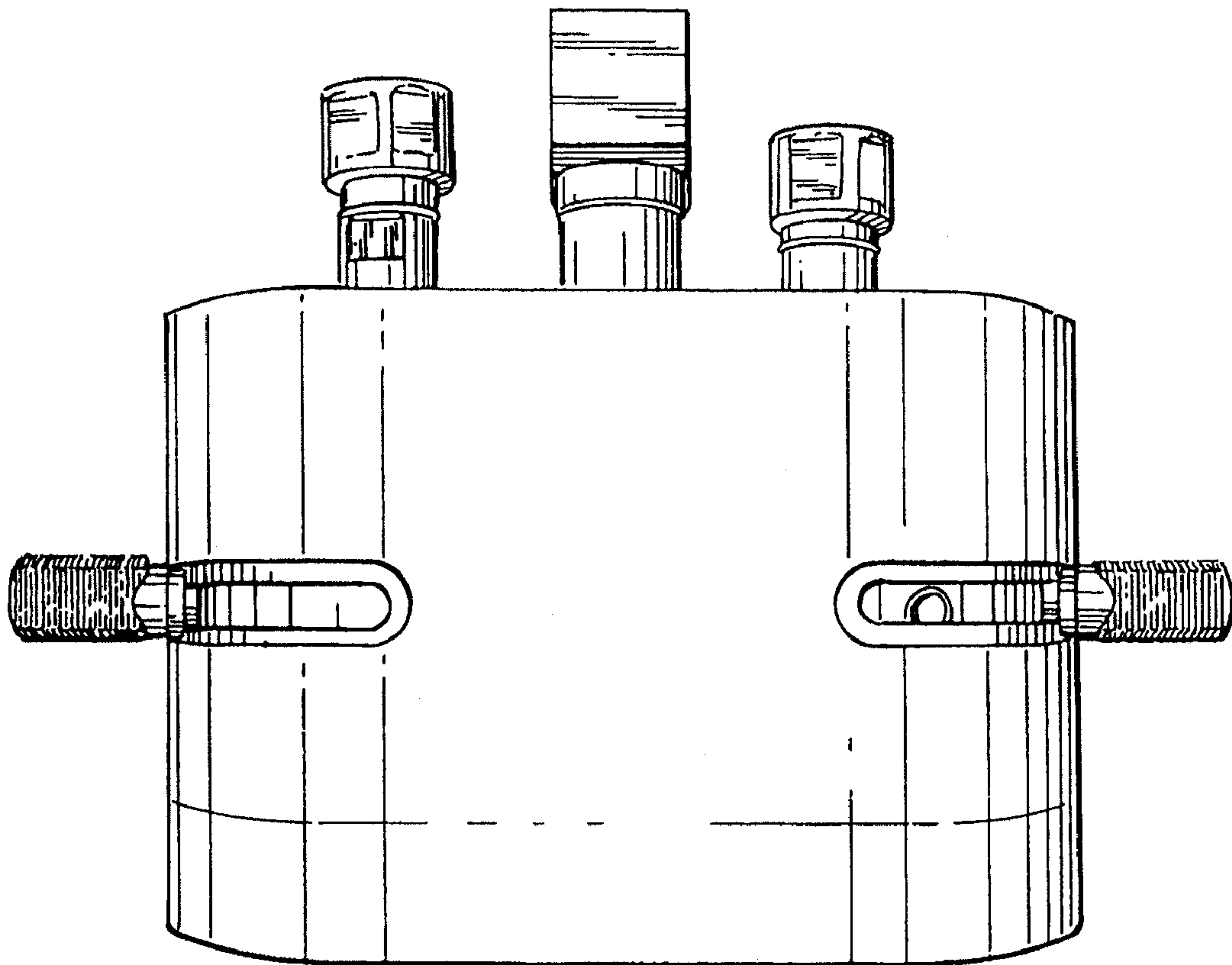


FIG. 3

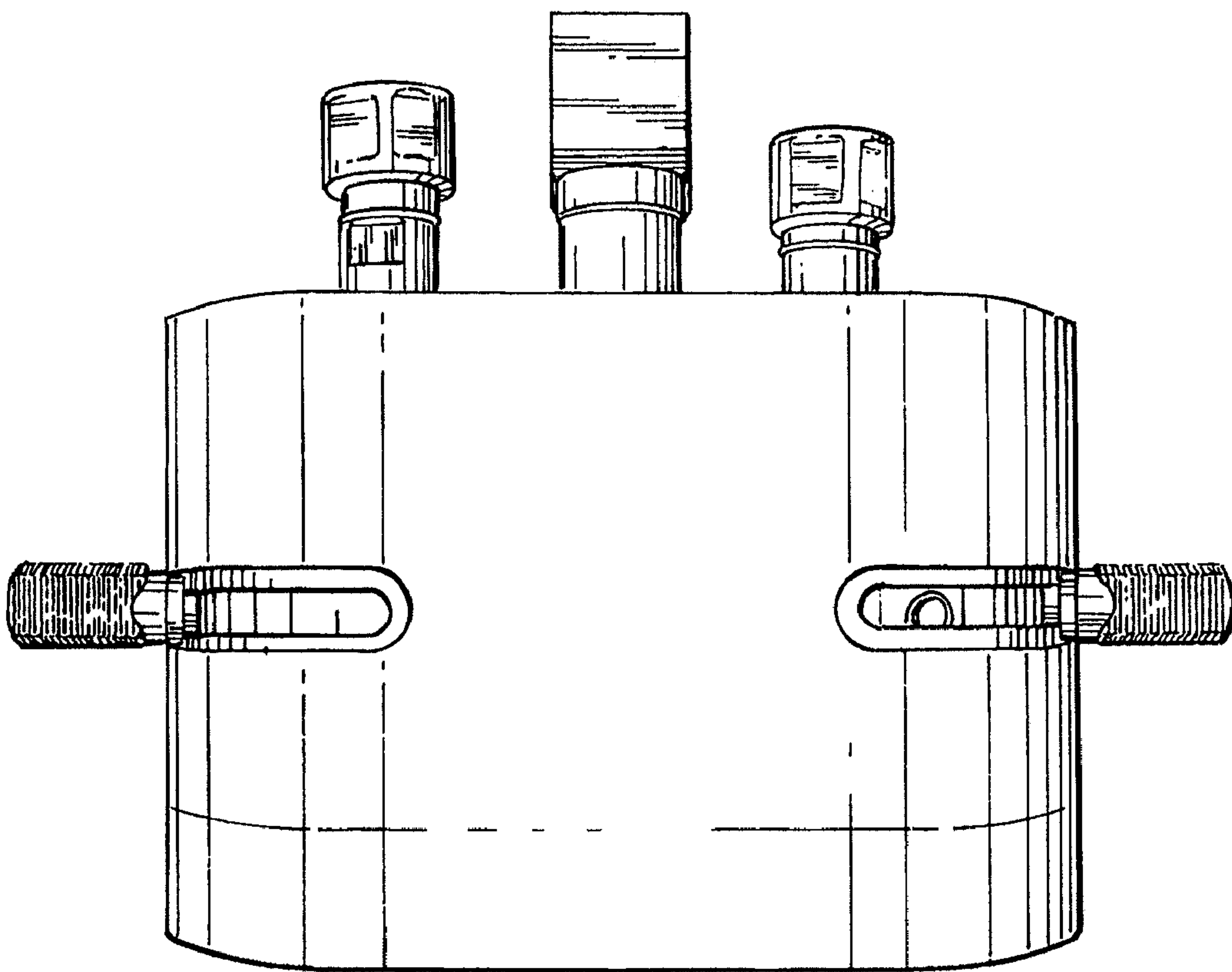


FIG. 4

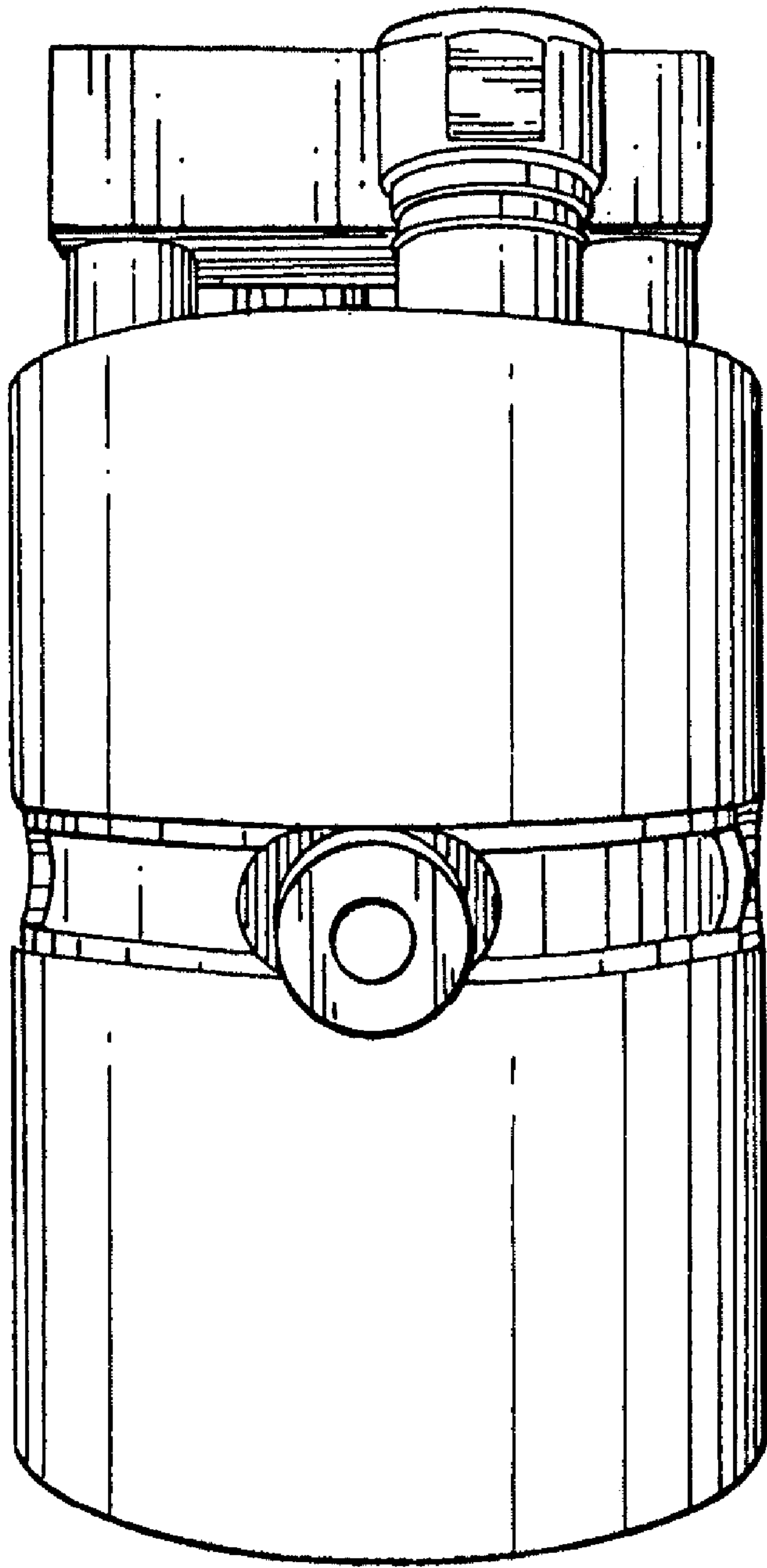


FIG. 5

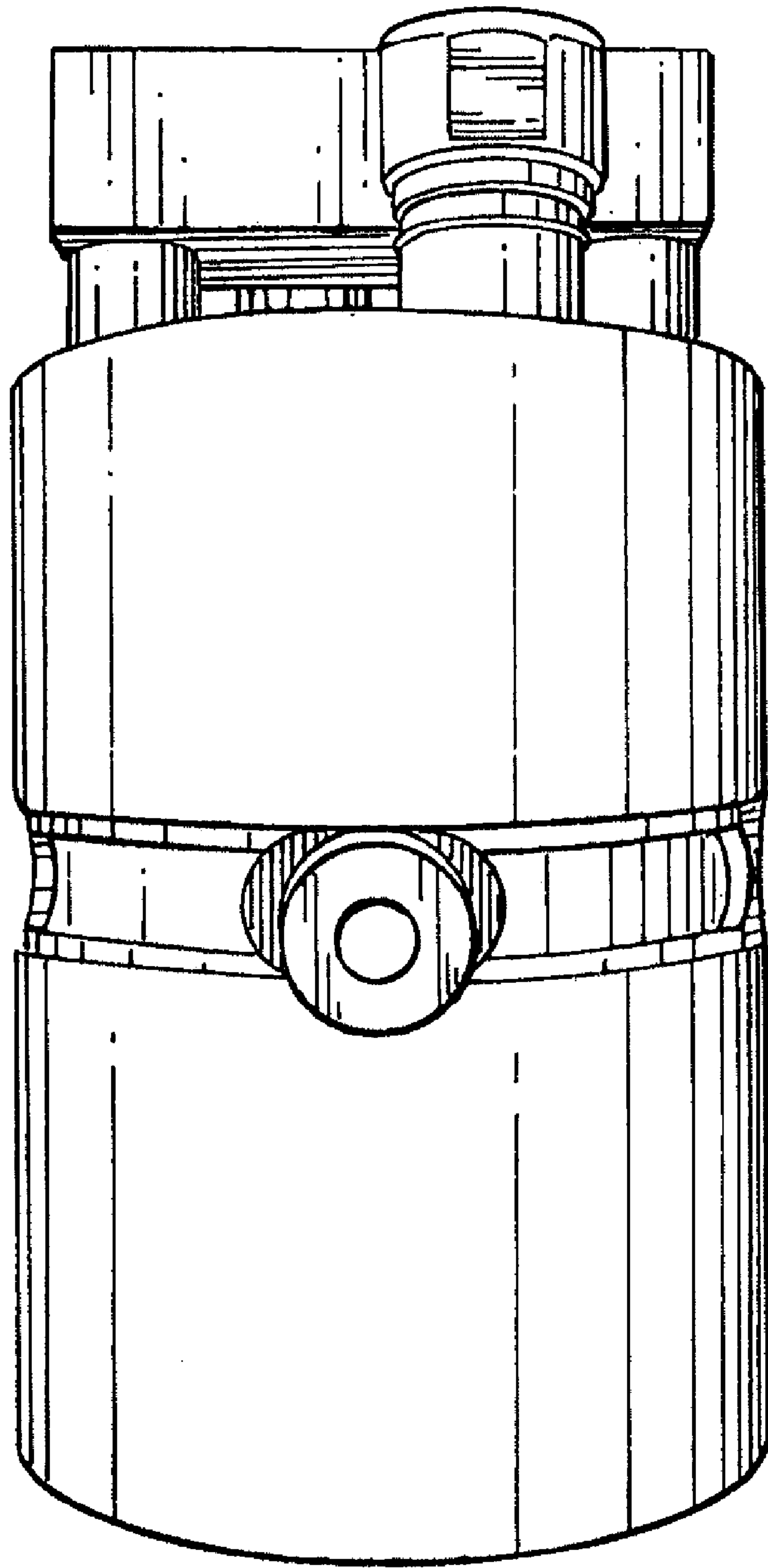


FIG. 6

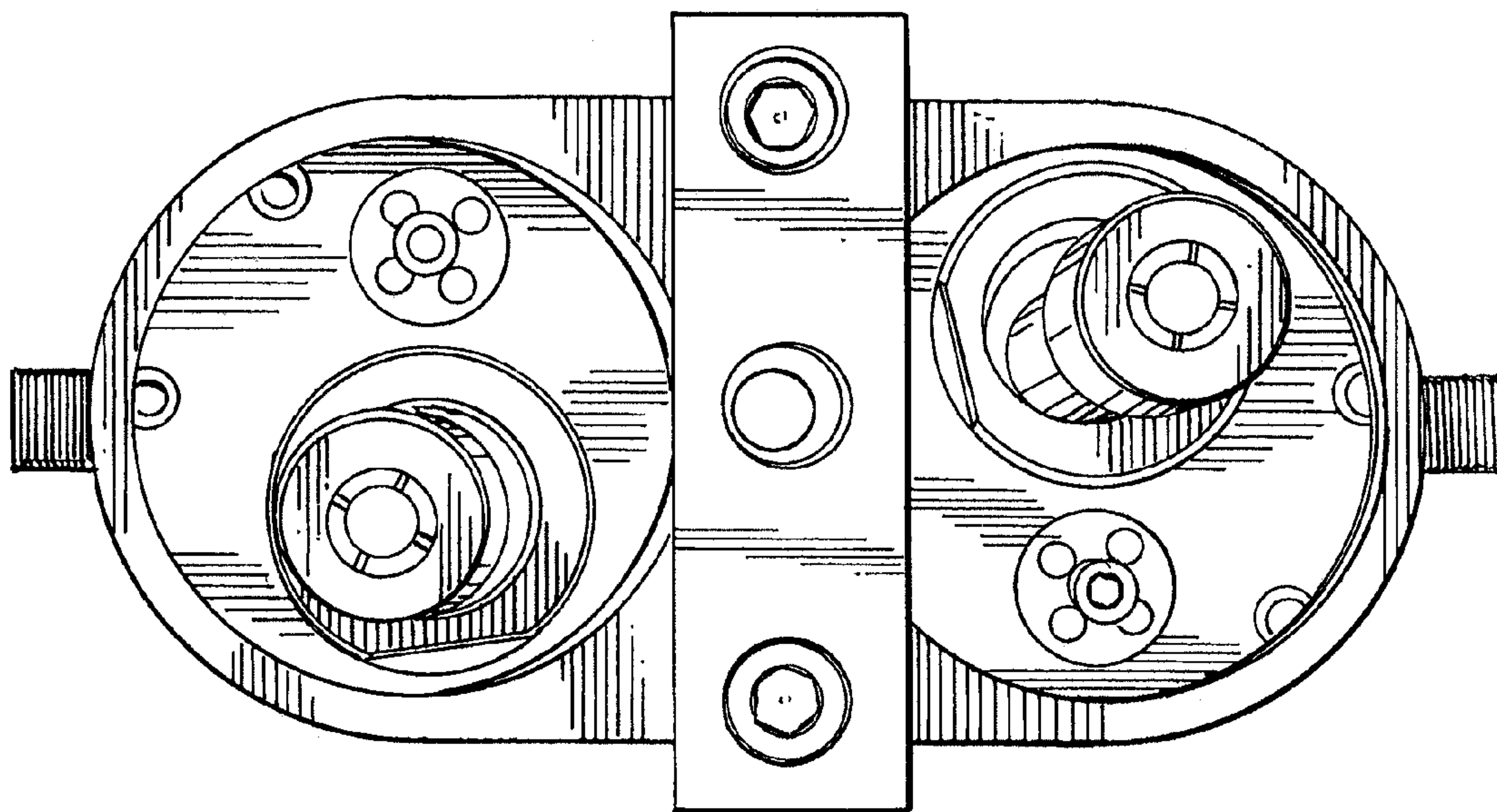


FIG. 7