



US00D595313S

(12) **United States Design Patent**
Pilon et al.

(10) **Patent No.:** **US D595,313 S**
(45) **Date of Patent:** **** Jun. 30, 2009**

(54) **ICON FOR A PORTION OF A DISPLAY SCREEN**

(76) Inventors: **Christian Pilon**, 5230, 10^e avenue, Montreal, Quebec (CA) H1Y 2G6;
Catherine Turgy, 5280, 2^e avenue, apt. 5, Montreal, Quebec (CA) H1Y 2Y1;
Patrick Mainville, 10161 Péloquin, Montreal, Quebec (CA) H2C 2J9

(**) **Term:** **14 Years**

(21) **Appl. No.:** **29/300,386**

(22) **Filed:** **Mar. 20, 2008**

(51) **LOC (9) Cl.** **32-00**

(52) **U.S. Cl.** **D14/492; D14/490**

(58) **Field of Classification Search** D14/485-95;
D18/26, 31-33; D20/11-12, 23-25, 29,
D20/32, 36, 38; 715/700-867, 973-977

See application file for complete search history.

(56) **References Cited**

U.S. PATENT DOCUMENTS

D231,563	S *	4/1974	Coy	D20/23
5,736,984	A *	4/1998	Jellinek et al.	715/710
D395,642	S *	6/1998	Kosek	D14/492
5,969,716	A *	10/1999	Davis et al.	715/726
D429,252	S *	8/2000	Haitani et al.	D14/492
D434,419	S *	11/2000	Bomze et al.	D14/488
D454,140	S *	3/2002	Hoxie et al.	D14/492
6,529,804	B1 *	3/2003	Draggon et al.	715/716
D480,401	S *	10/2003	Kahn et al.	D14/488
6,962,495	B2 *	11/2005	Bajer et al.	715/700

7,047,092	B2 *	5/2006	Wimsatt	715/717
D562,344	S *	2/2008	Anderson et al.	D14/488
D574,845	S *	8/2008	Armstrong et al.	D14/492
2006/0005133	A1 *	1/2006	Lyle et al.	715/708
2006/0023695	A1 *	2/2006	Yarlagadda et al.	370/352
2006/0080604	A1 *	4/2006	Anderson	715/701
2006/0271854	A1 *	11/2006	Racovolis	715/704

OTHER PUBLICATIONS

Trademarks & Symbols vol. 2: Symbolical Designs, by Yasaburo Kuwayama, Van Nostrand Reinhold Company, New York, NY, © 1973, p. 62 item 517 and p. 63 item 528.*

DryIcons | Free Icons | Blue Velvet Icons List—128×128 pixels, p. 1 [online]. [retrieved on Aug. 11, 2008]. Retrieved from the Internet <URL: <http://dryicons.com/free-icons/icons-list/blue-velvet/>>.*

* cited by examiner

Primary Examiner—Cathron C Brooks

Assistant Examiner—Karen E Kearney

(57) **CLAIM**

The ornamental design for an icon for a portion of a display screen, as shown and described.

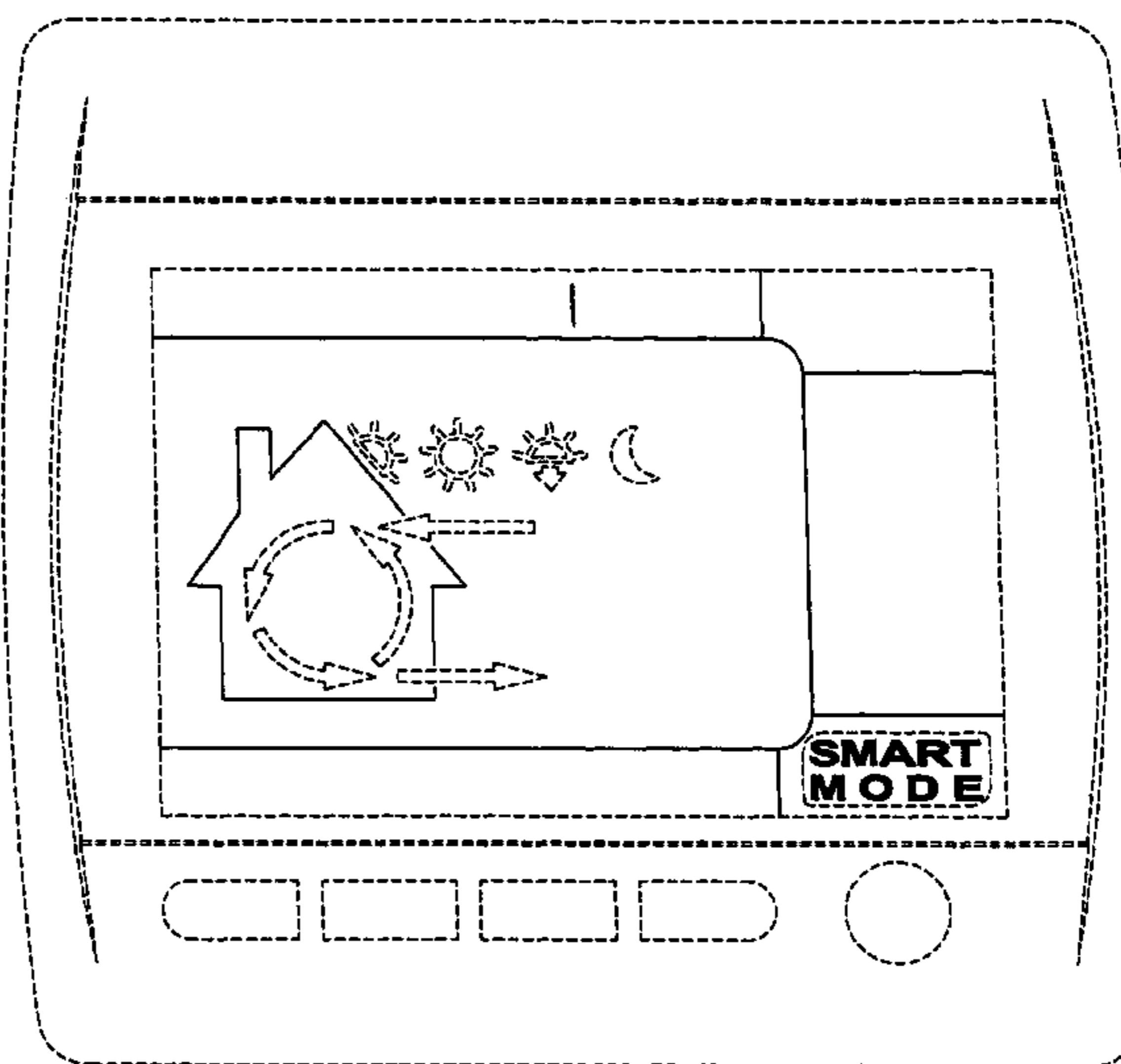
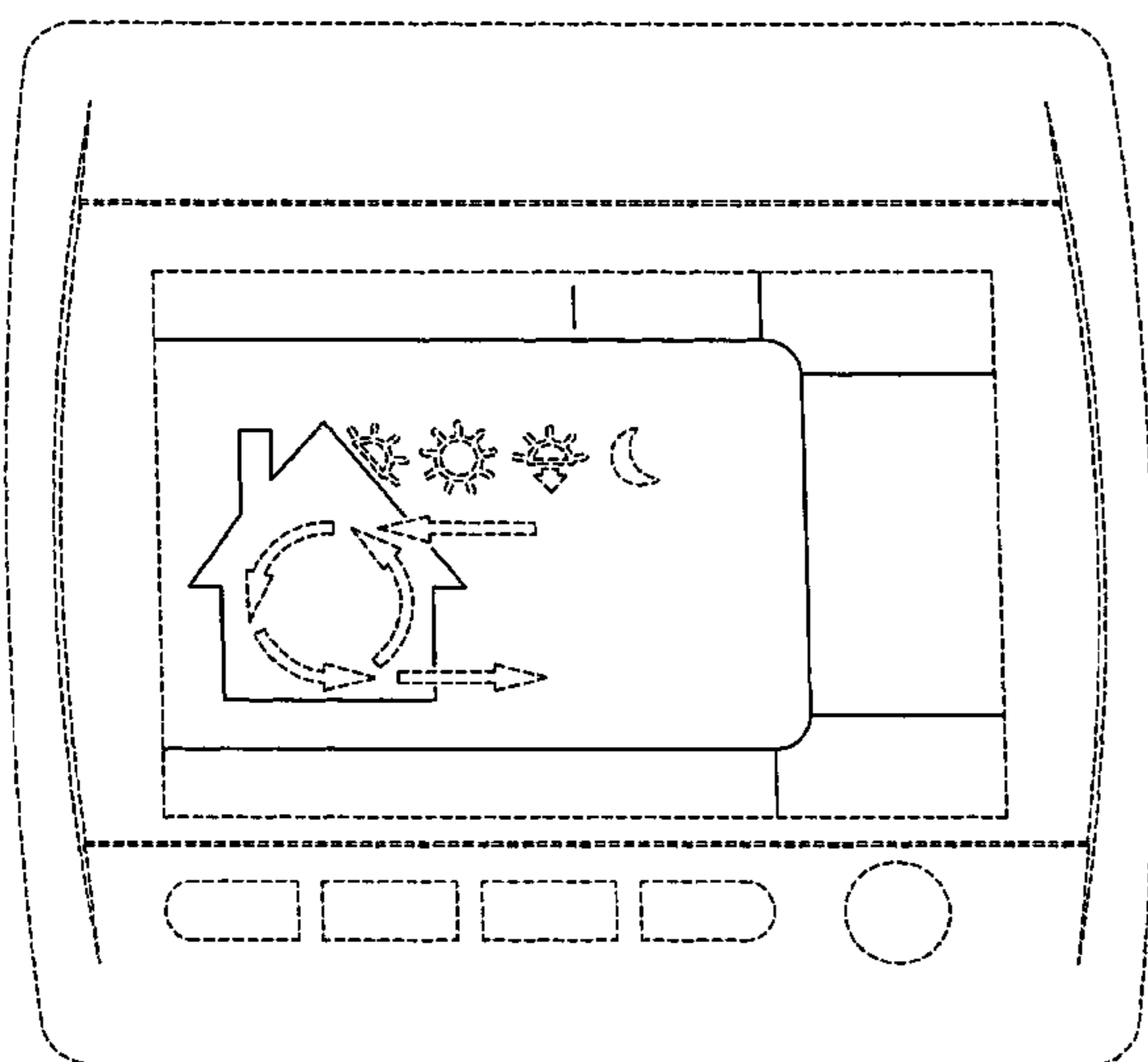
DESCRIPTION

FIG. 1 is a front view of the icon for a portion of a display screen; and,

FIG. 2 is a second embodiment of the icon of FIG. 1.

The broken lines showing of the display screen and various regions therein are for the purpose of illustrating environmental structure and unclaimed portions and form no part of the claimed design.

1 Claim, 2 Drawing Sheets



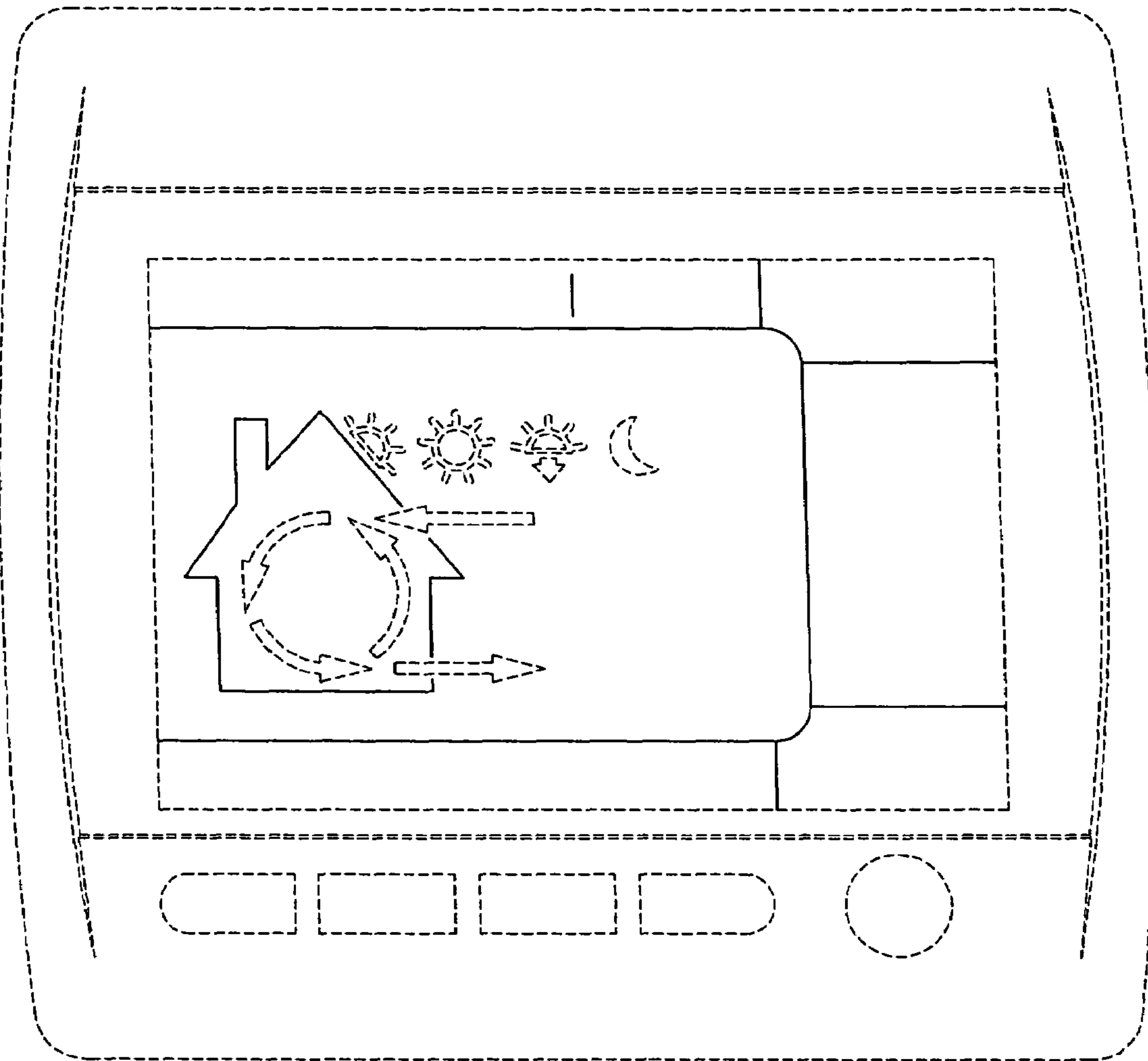


FIG. 1

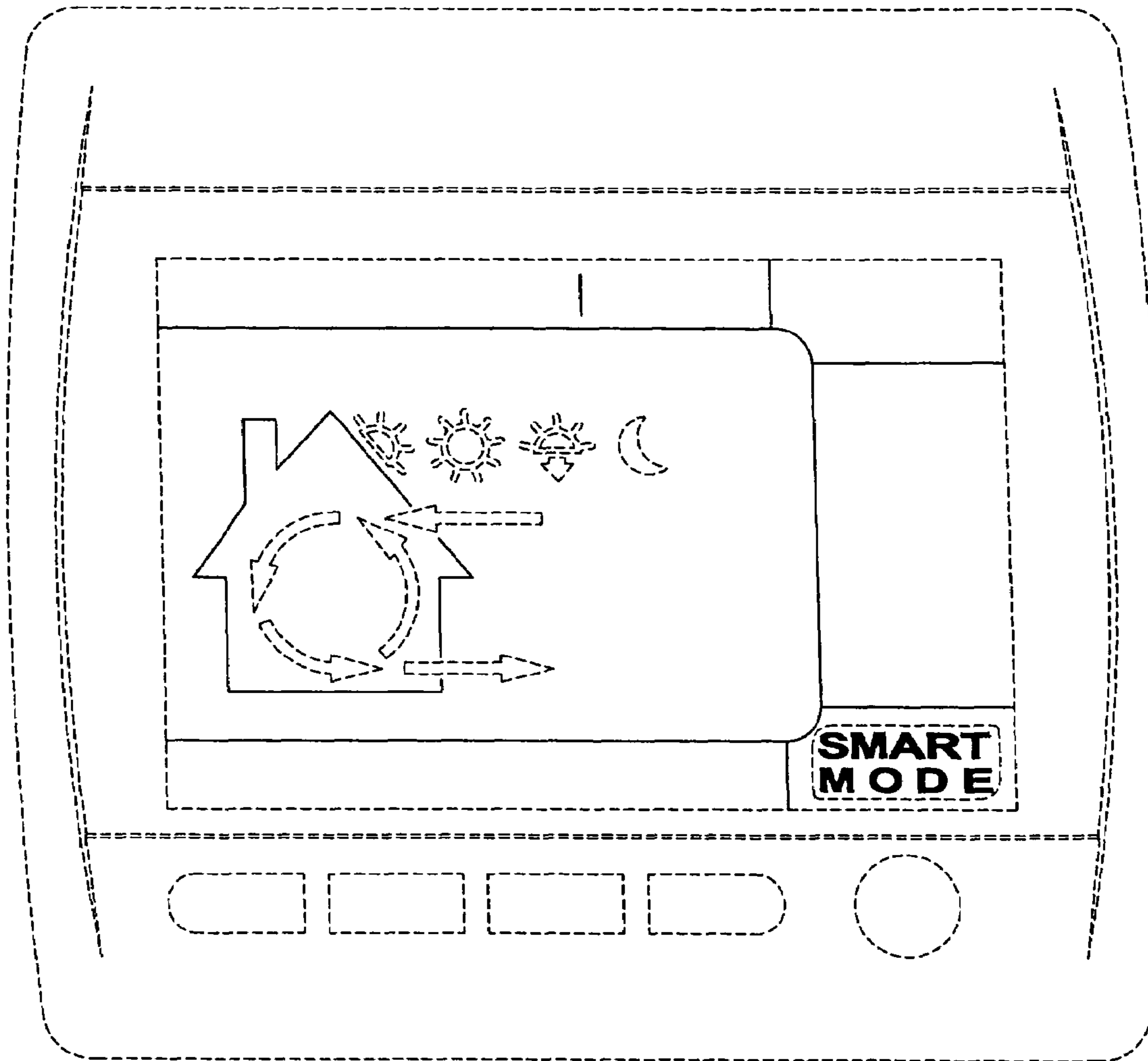


FIG. 2