

US00D595299S

(12) **United States Design Patent**
Bures

(10) **Patent No.:** **US D595,299 S**
(45) **Date of Patent:** **** Jun. 30, 2009**

(54) **TILTABLE MOUNTING HEAD FOR AN ELECTRONIC DISPLAY**

7,028,961 B1 4/2006 Dittmer et al.
(Continued)

(75) Inventor: **Joe Bures**, Columbia Heights, MN (US)

OTHER PUBLICATIONS

(73) Assignee: **Milestone AV Technologies LLC**,
Savage, MN (US)

U.S. Appl. No. 60/986,869, Bures.
U.S. Appl. No. 29/297,406, Bures.
Chief Manufacturing, Inc., Full Line Catalog, Mounting Solutions
Product Guide, Copyright Jun. 2006, 122 pgs.
Sanus Visionmount Catalog, Copyright Mar. 2007, 40 pgs.

(**) Term: **14 Years**

Primary Examiner—Jennifer Rivard
Assistant Examiner—Angela J Lee

(21) Appl. No.: **29/297,409**

(74) *Attorney, Agent, or Firm*—Patterson, Thuente, Skaar &
Christensen, PA

(22) Filed: **Nov. 9, 2007**

(51) **LOC (9) Cl.** **08-07**

(57) **CLAIM**

(52) **U.S. Cl.** **D14/452**

(58) **Field of Classification Search** D14/447,
D14/451, 452, 328, 336, 356, 371, 374, 375,
D14/376, 432, 434, 439, 448, 454, 239, 251,
D14/252, 341, 224, 253, 316, 129, 209, 217,
D14/237, 238, 458, 459, 460, 461; D10/65;
D6/444, 513, 396, 419, 420, 473, 474, 512;
D8/349, 355, 363, 373, 380, 354, 356; D19/92,
D19/95; D23/370, 387; 248/176.1, 220.21,
248/223.31, 274.1, 276.1, 281.11, 284.1,
248/286.1, 309.1, 316.1, 323, 324, 346.3,
248/349.1, 371, 398, 917, 918, 919, 920,
248/921, 922, 923, 205.5, 121, 124.1, 127,
248/177.1, 201, 205.1, 291.1, 313, 346.01,
248/346.03, 415; D12/415; 312/223.3; 348/825,
348/836; 379/446, 454; 361/681, 683, 687,
361/695

The ornamental design for a tiltable mounting head for an
electronic display, as shown and described.

See application file for complete search history.

DESCRIPTION

FIG. 1 is a front perspective view of a tiltable mounting head
for an electronic display according to the invention;

FIG. 2 is a top plan view of the tiltable mounting head for an
electronic display depicted in FIG. 1;

FIG. 3 is a bottom plan view of the tiltable mounting head for
an electronic display depicted in FIG. 1;

FIG. 4 is a side elevation view of the tiltable mounting head
for an electronic display depicted in FIG. 1;

FIG. 5 is an opposing side elevation view of the tiltable
mounting head for an electronic display depicted in FIG. 1;

FIG. 6 is a front elevation view of the tiltable mounting head
for an electronic display depicted in FIG. 1; and,

FIG. 7 is a rear elevation view of the tiltable mounting head
for an electronic display depicted in FIG. 1. Broken lines have
been omitted for clarity of illustration.

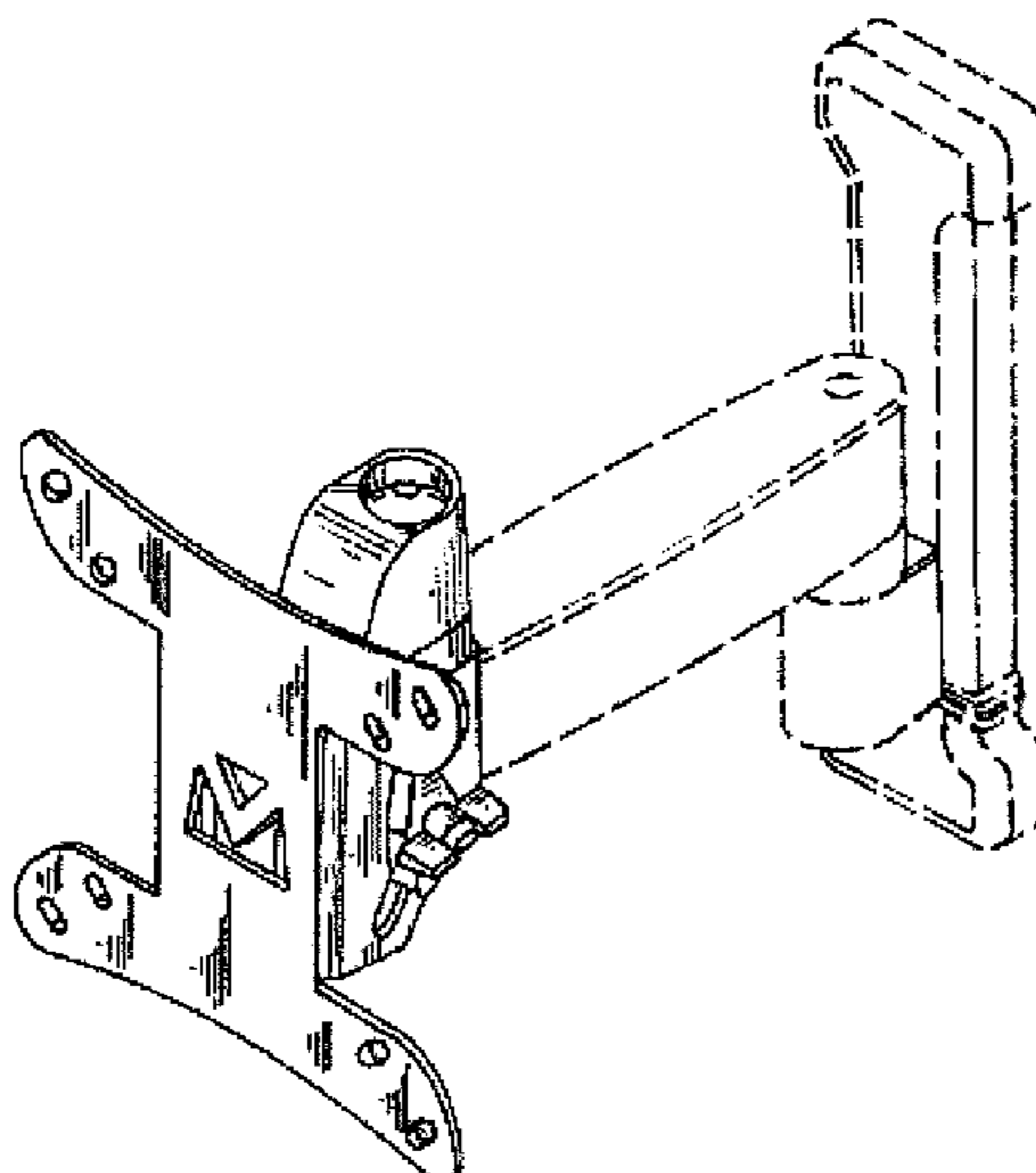
The broken line showing of a pivot mount assembly is
included for the purpose of illustrating environment and
forms no part of the claimed design.

(56) **References Cited**

U.S. PATENT DOCUMENTS

2,974,918 A	3/1961	Voigtlander	
4,943,022 A	7/1990	Rinderer	
D494,978 S	8/2004	Pfister	
D495,713 S	9/2004	Pfister et al.	
6,905,101 B1	6/2005	Dittmer	
6,915,996 B2 *	7/2005	Lin	248/288.51

1 Claim, 2 Drawing Sheets



US D595,299 S

Page 2

U.S. PATENT DOCUMENTS

7,152,836	B2	12/2006	Pfister et al.				
D534,789	S *	1/2007	Worrall et al.	D8/363			
D536,603	S *	2/2007	Worrall et al.	D8/363			
7,175,152	B2	2/2007	Dittmer				
D543,548	S *	5/2007	Muday et al.	D14/452			
7,261,265	B2 *	8/2007	Burns	248/276.1			
D556,205	S	11/2007	Wohlford et al.				
D557,126	S *	12/2007	Worrall et al.	D8/380			
D558,560	S *	1/2008	Ciungan	D8/363			
D558,562	S *	1/2008	Ciungan et al.	D8/363			
D560,676	S	1/2008	Wohlford et al.				
D561,188	S	2/2008	Wohlford et al.				
D562,113	S *	2/2008	Ciungan et al.	D8/363			
D565,938	S *	4/2008	Massoumi et al.	D8/363			
2004/0232298	A1	11/2004	Bremmon et al.				
2004/0262474	A1 *	12/2004	Boks et al.	248/276.1			
2007/0120030	A1	5/2007	Dittmer				
2007/0170336	A1	7/2007	Li				
2007/0176067	A1	8/2007	Monaco				
2008/0006751	A1 *	1/2008	Chen et al.	248/278.1			
2008/0185476	A1 *	7/2008	Berger	248/220.21			

* cited by examiner

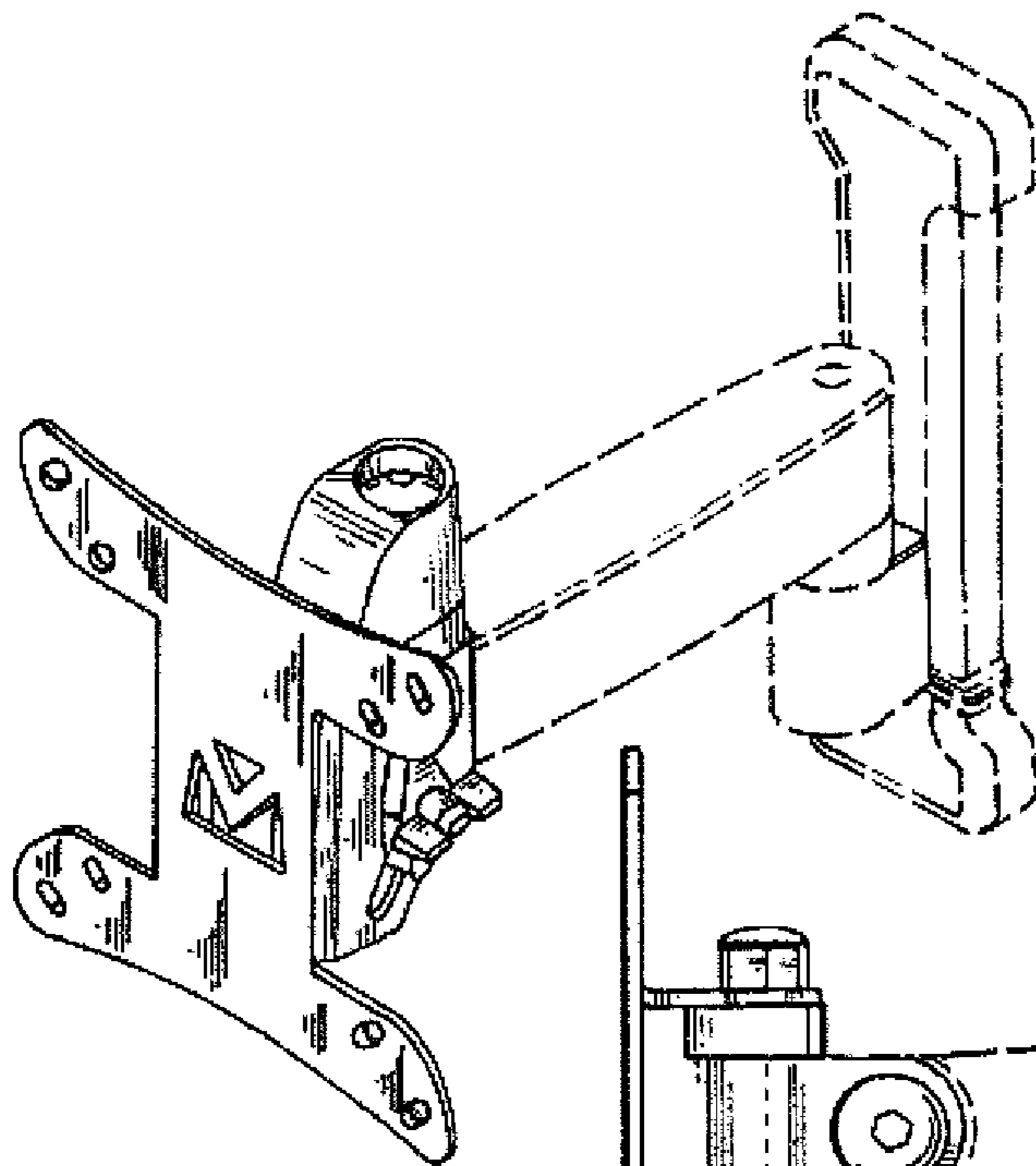


Fig. 1.

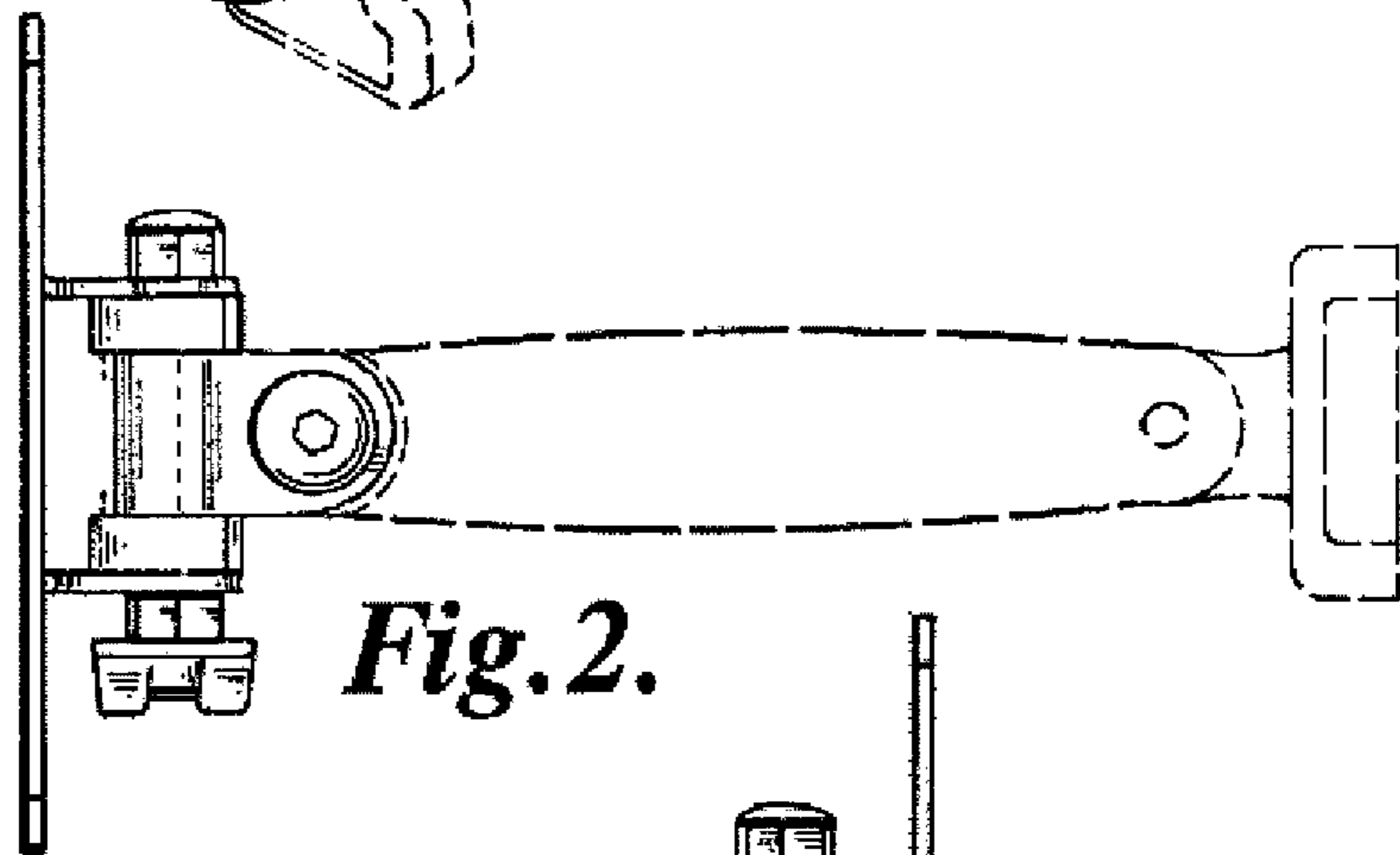


Fig. 2.

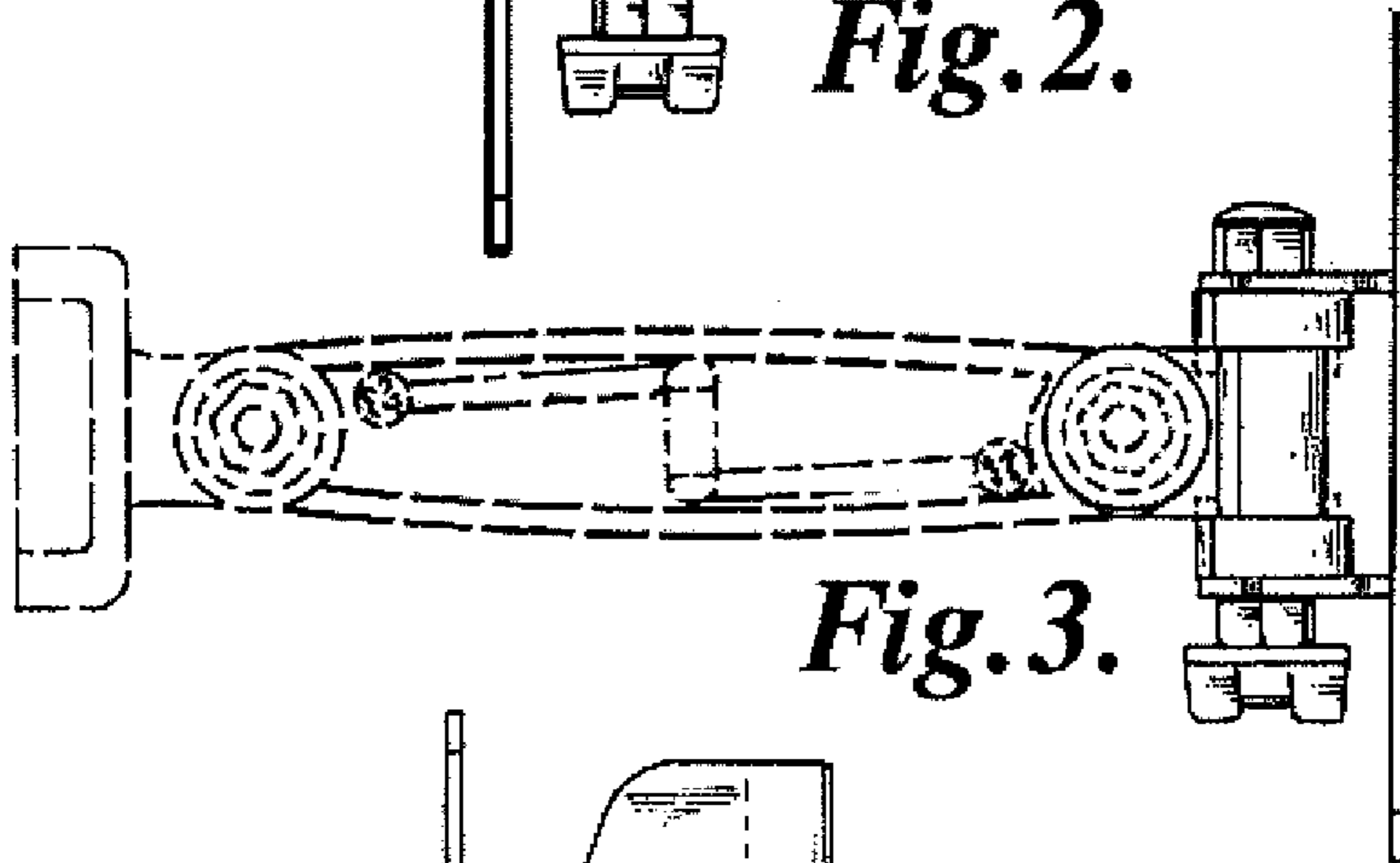


Fig. 3.

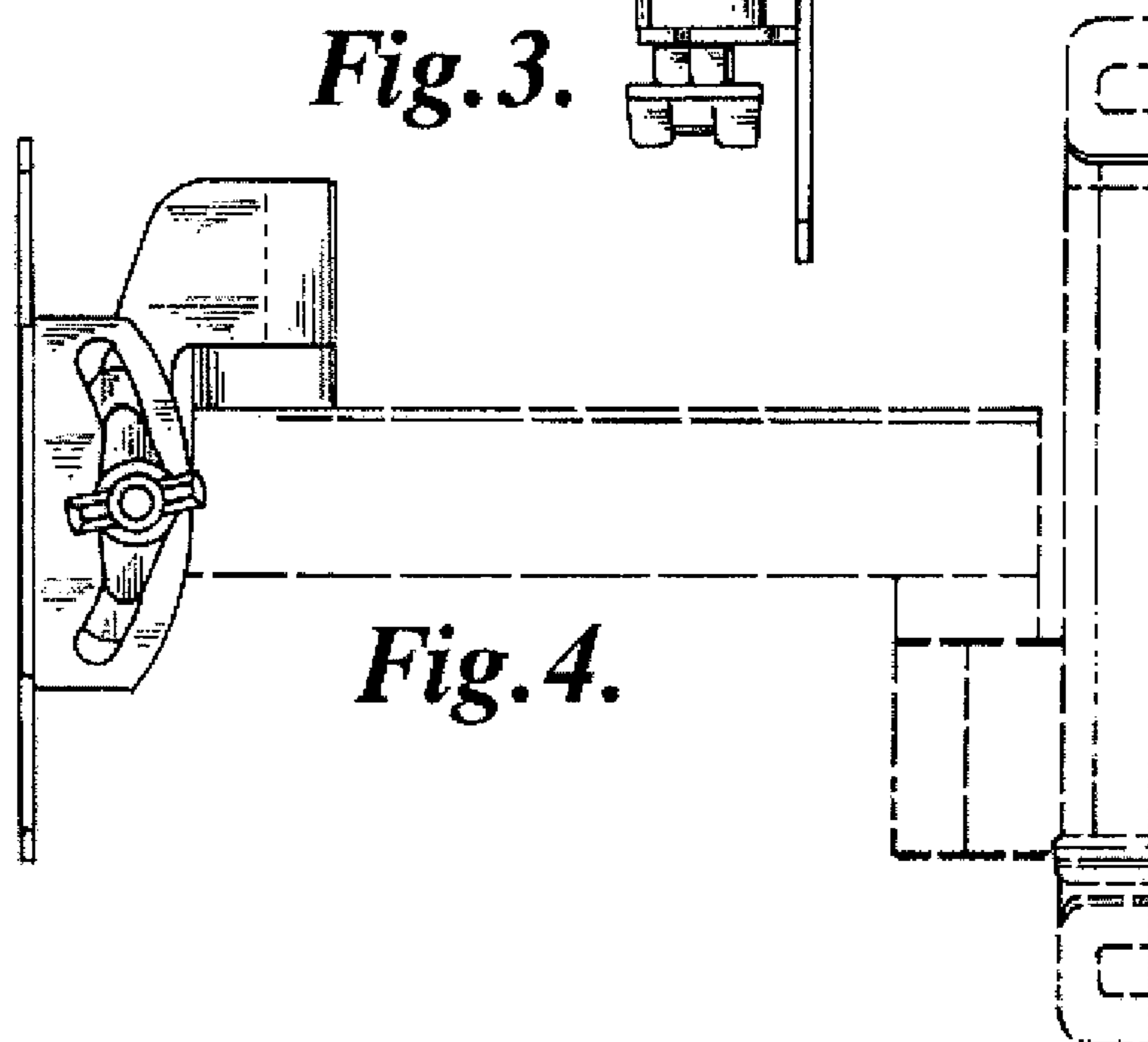


Fig. 4.

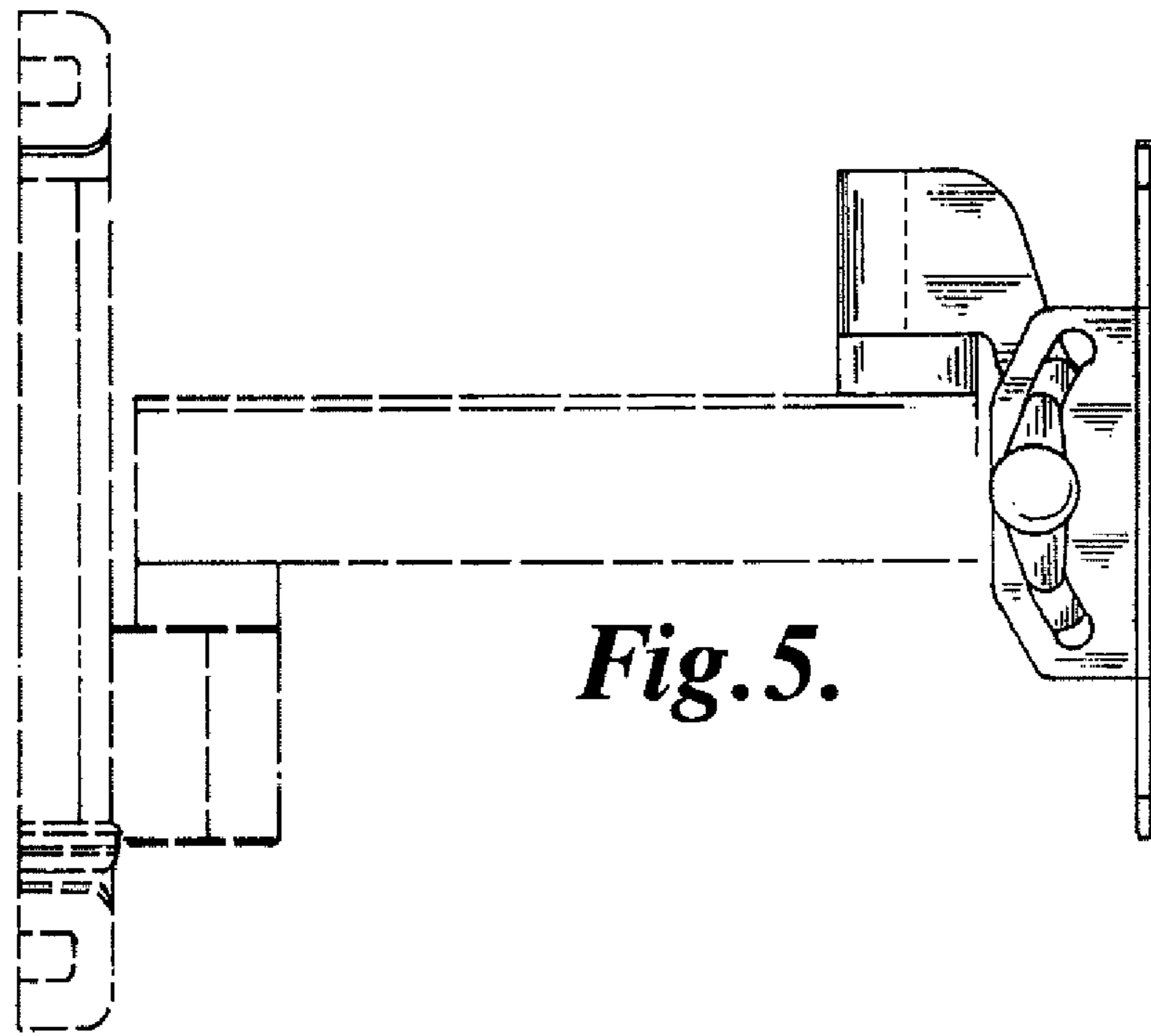


Fig. 5.

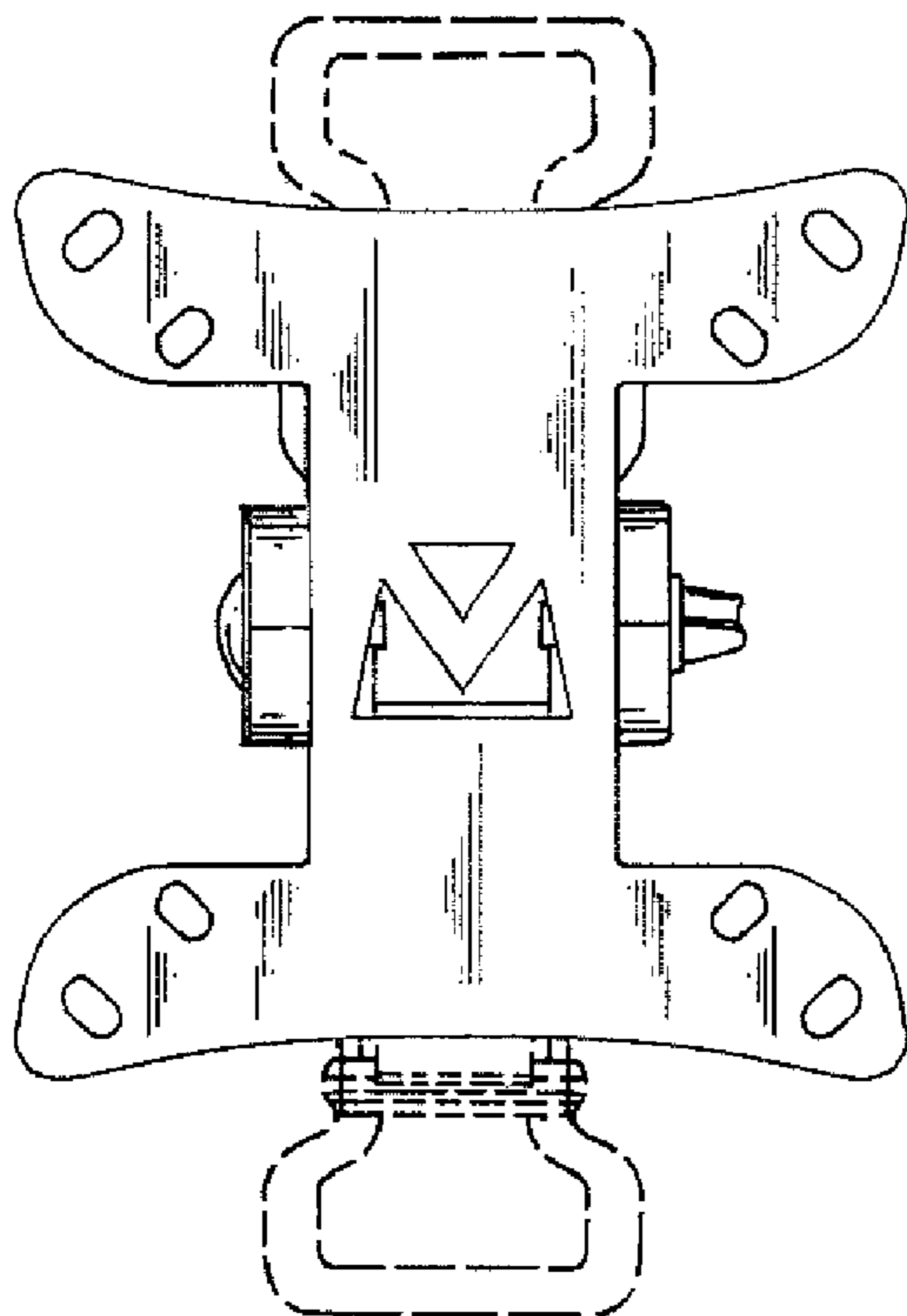


Fig. 6.

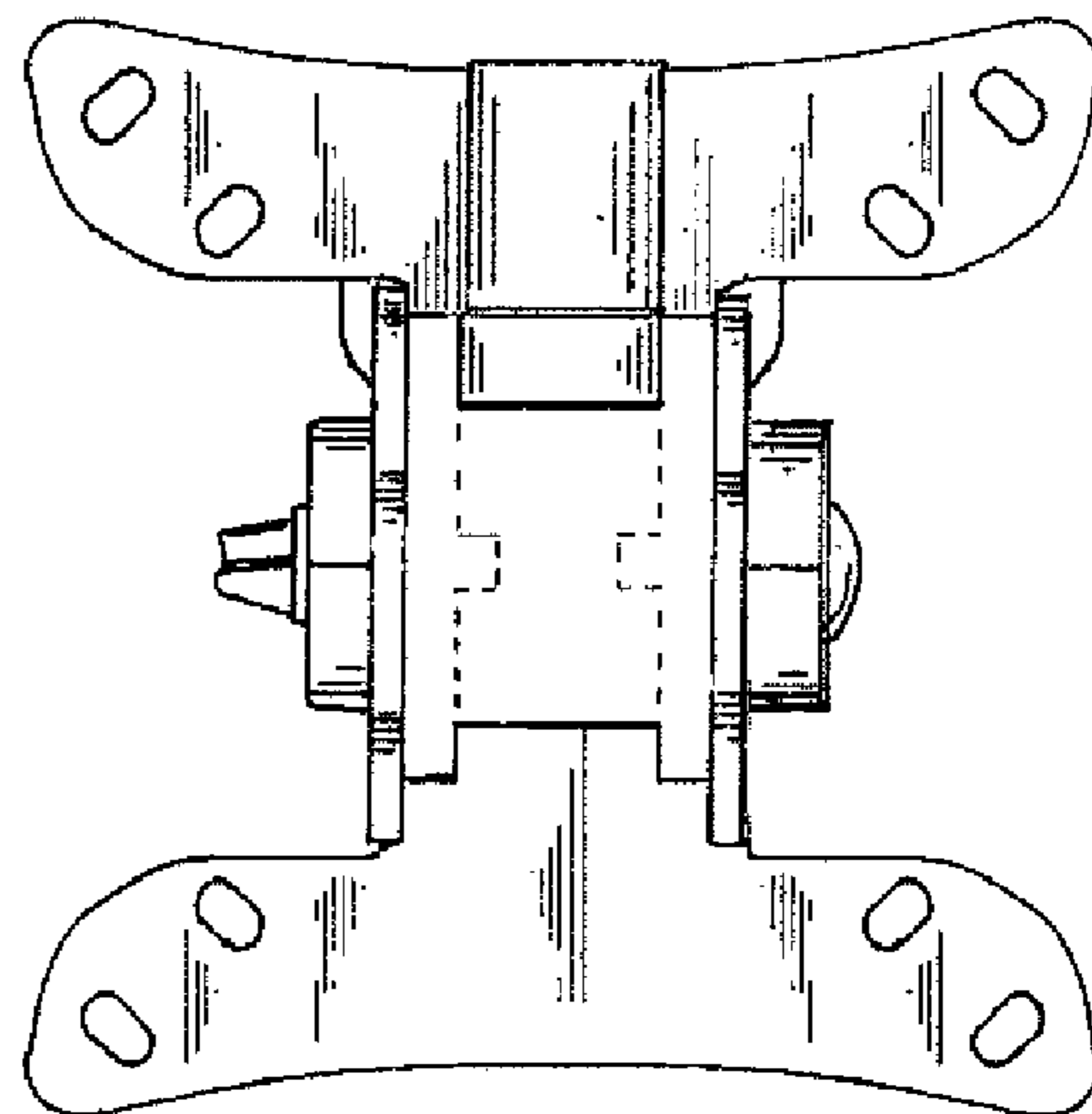


Fig. 7.