

US00D595298S

(12) **United States Design Patent**
Zonshine et al.

(10) **Patent No.:** **US D595,298 S**
(45) **Date of Patent:** **** Jun. 30, 2009**

(54) **CABLE MANAGING MONITOR STAND**

(75) Inventors: **Amir Zonshine**, Hartsdale, NY (US);
Christopher Malisse, Somers, NY (US)

(73) Assignee: **Ergotech**, Elmsford, NY (US)

(**) Term: **14 Years**

(21) Appl. No.: **29/327,127**

(22) Filed: **Oct. 31, 2008**

(51) **LOC (9) Cl.** **08-07**

(52) **U.S. Cl.** **D14/451**

(58) **Field of Classification Search** D14/447,
D14/448, 451, 452, 457, 459, 460, 461, 239,
D14/251, 253, 224.1, 125, 126, 432, 434,
D14/439, 371–382; D8/354, 363, 373, 380;
D19/90, 91; D18/4.4, 4.5, 4.6, 12; D6/300,
D6/310, 312, 313, 314, 449, 512; D13/139.5,
D13/139.4; D21/333; D10/74; D12/415;
248/917–924, 675, 676, 678, 447, 122.1,
248/176.1, 176.3, 205.5, 205.8, 324; 312/323.3;
379/446, 454, 455; 361/679.02, 679.06,
361/679.07, 679.21, 679.22, 679.24, 679.26,
361/679.3, 679.46, 679.49, 679.55, 679.56,
361/679.58, 679.6, 693, 697, 809, 810, 825,
361/827

See application file for complete search history.

(56) **References Cited**

U.S. PATENT DOCUMENTS

D244,465 S * 5/1977 Stoneman D13/139.4

D372,018 S * 7/1996 Byrne D13/139.4
D453,732 S * 2/2002 Stekelenburg D13/139.4
6,857,610 B1 * 2/2005 Conner et al. 248/284.1
D515,033 S * 2/2006 Petrick et al. D13/139.4
D522,009 S * 5/2006 Chen D14/452
7,264,212 B2 * 9/2007 Hung 248/282.1
D568,325 S * 5/2008 Muday et al. D14/452
D568,326 S * 5/2008 Muday et al. D14/452
7,395,995 B2 * 7/2008 Chen 248/284.1
D584,734 S * 1/2009 Chu D14/452
2007/0139870 A1 * 6/2007 Lin 361/681
2008/0116157 A1 * 5/2008 Fulbrook et al. 211/60.1

* cited by examiner

Primary Examiner—Jennifer Rivard

Assistant Examiner—Angela J Lee

(74) *Attorney, Agent, or Firm*—Haugen Law Firm PLLP

(57) **CLAIM**

The ornamental design for a cable managing monitor stand,
as shown and described.

DESCRIPTION

FIG. 1 is a front perspective view of the design;
FIG. 2 is a first side elevation view of the design;
FIG. 3 is a second side elevation view of the design;
FIG. 4 is a front elevation view of the design;
FIG. 5 is a rear elevation view of the design;
FIG. 6 is a top plan view of the design; and,
FIG. 7 is a bottom plan view of the design.

1 Claim, 4 Drawing Sheets

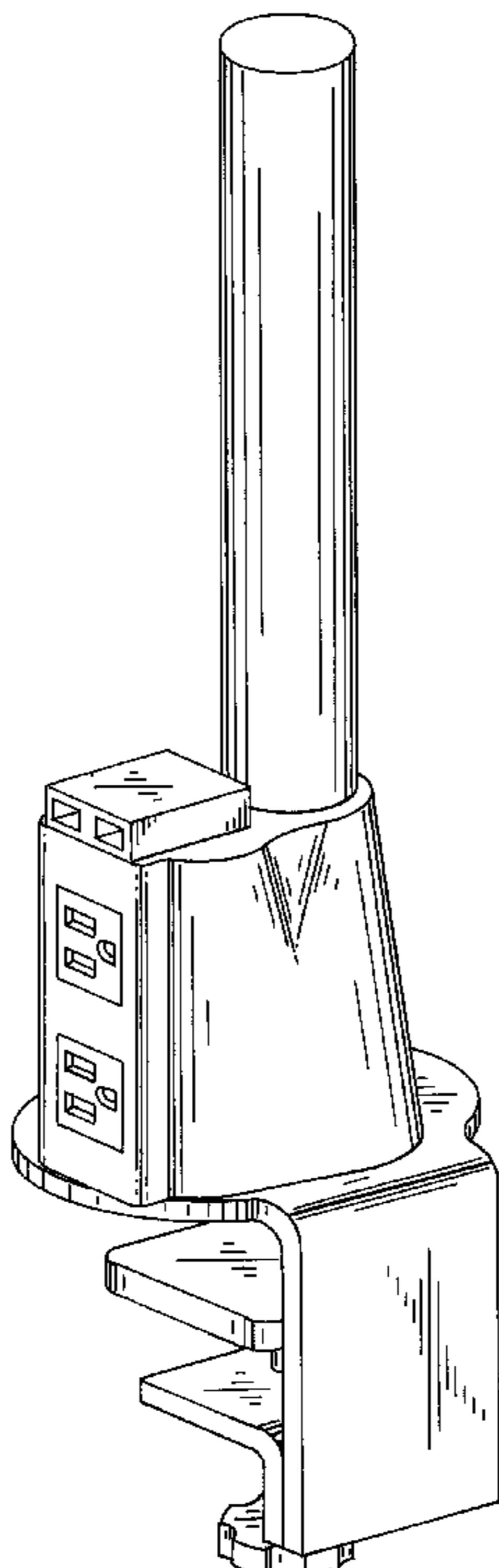


Fig. -1

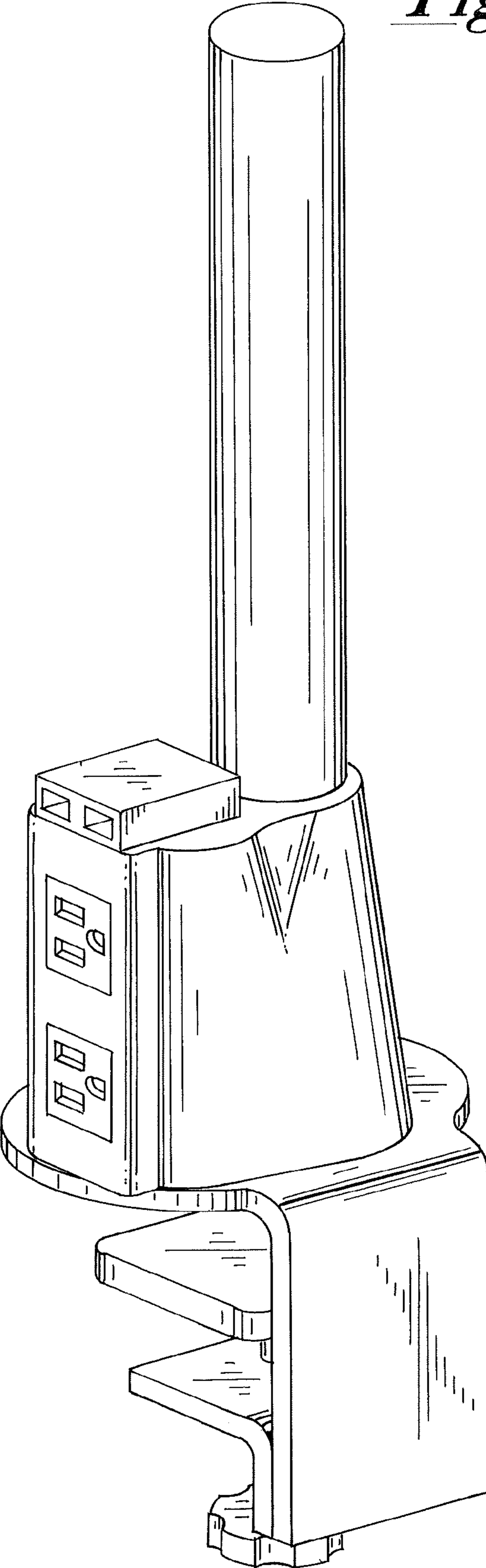


Fig.-2

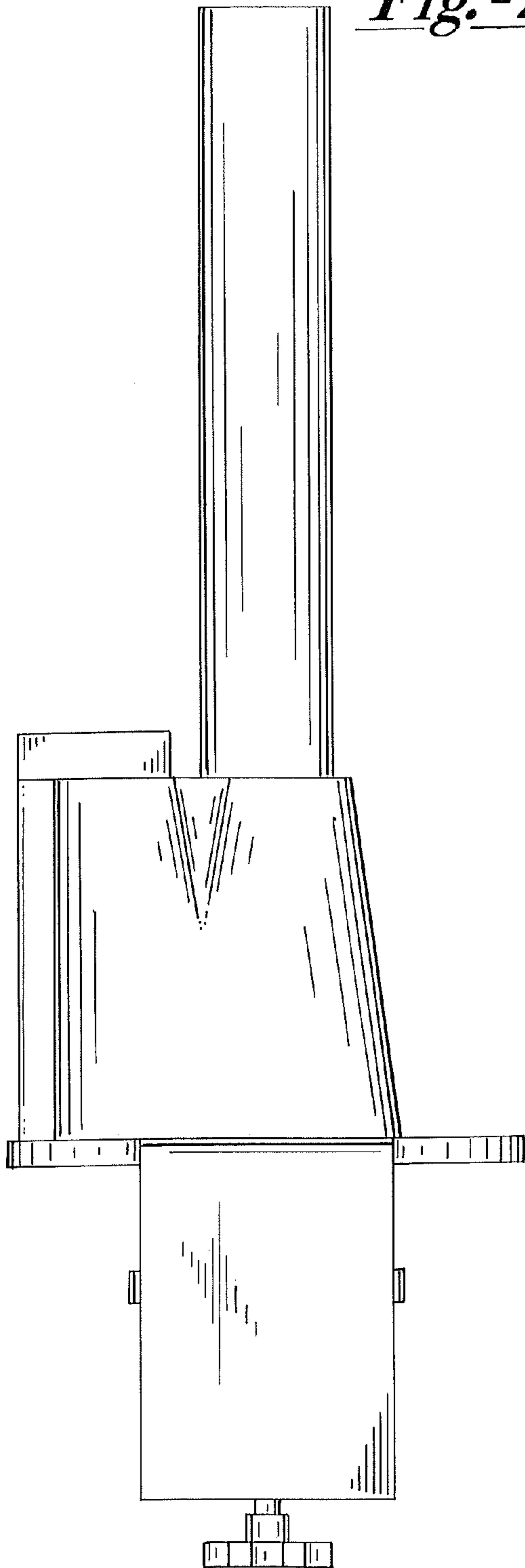


Fig.-3

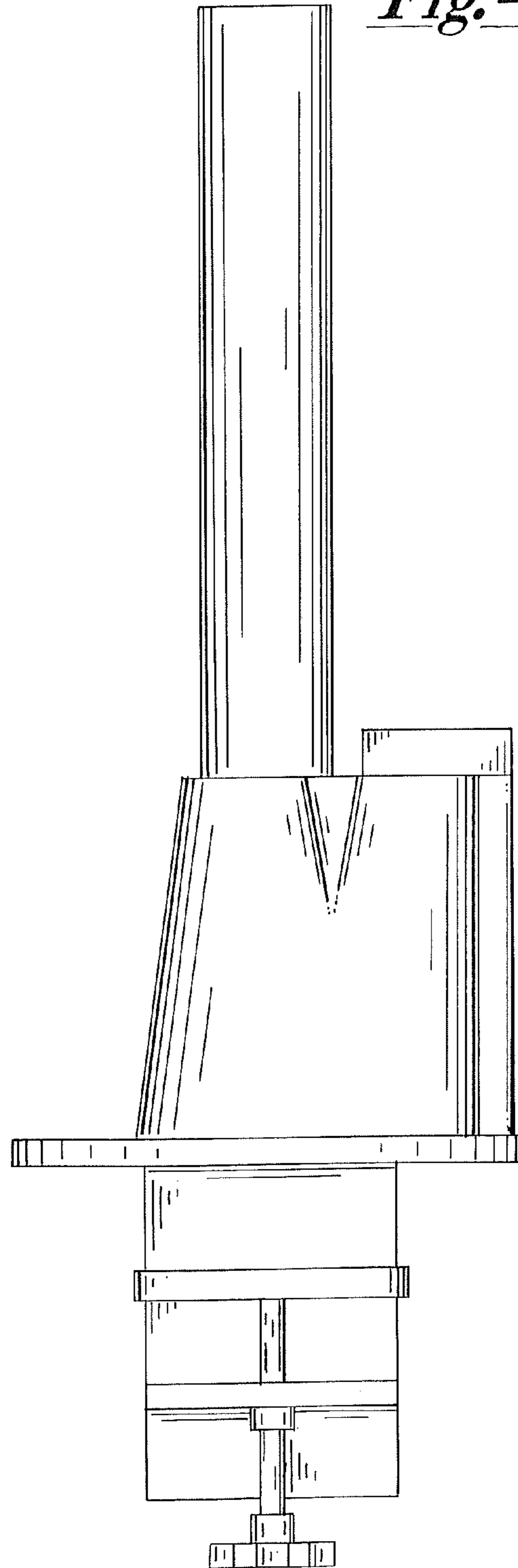


Fig.-4

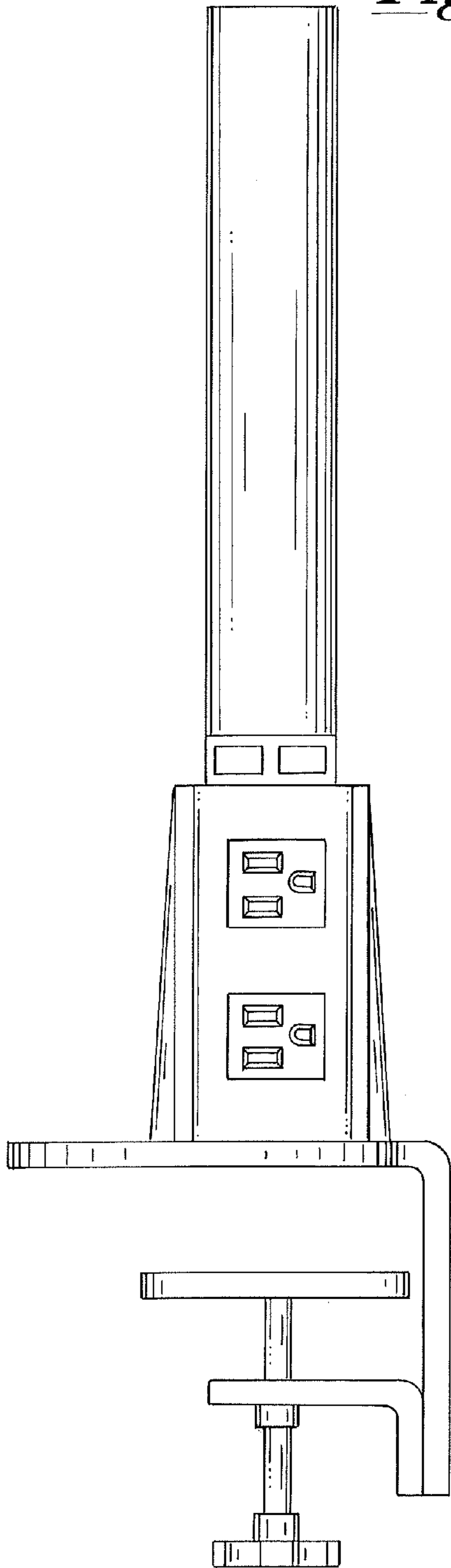


Fig.-5

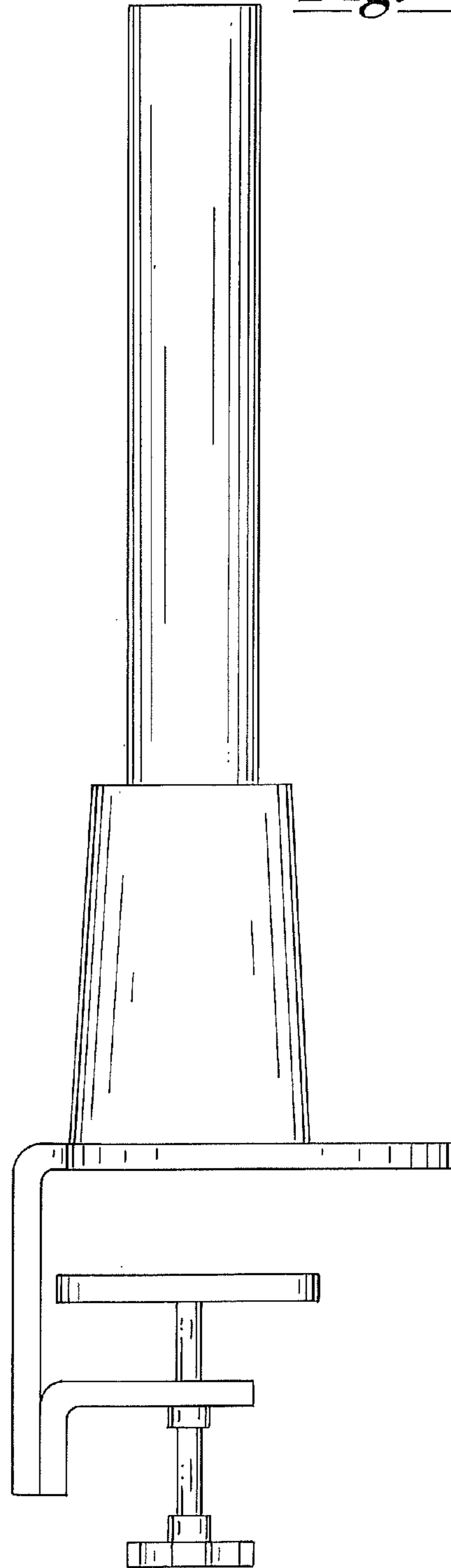


Fig-6

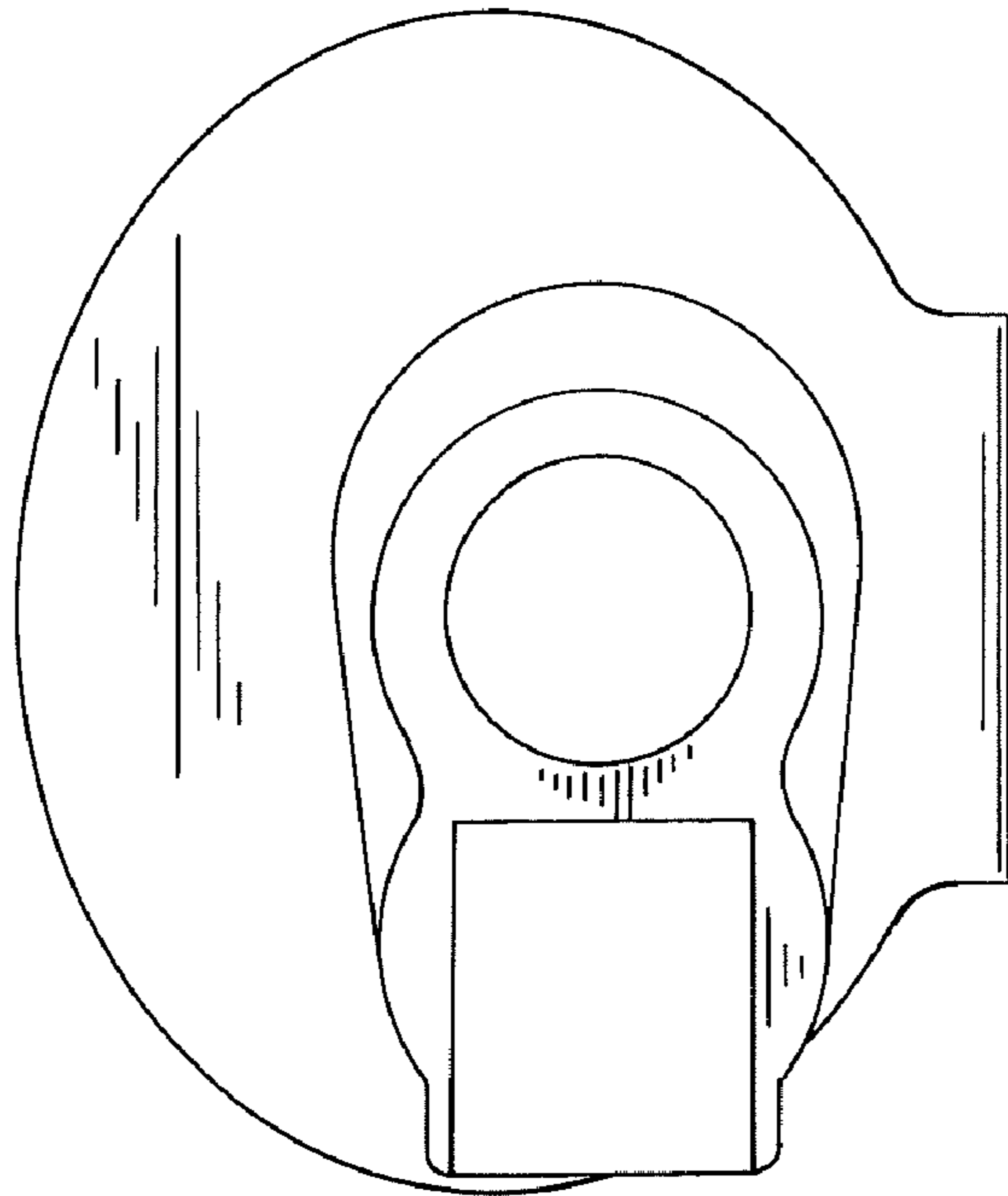


Fig.-7

