



US00D595297S

(12) **United States Design Patent**
Morishita et al.

(10) **Patent No.:** **US D595,297 S**
(45) **Date of Patent:** **** Jun. 30, 2009**

(54) **PORTABLE COMPUTER**

(75) Inventors: **Yoshihito Morishita**, Osaka (JP); **Akira Iwamoto**, Osaka (JP); **Jun Sato**, Osaka (JP)

(73) Assignee: **Panasonic Corporation**, Osaka (JP)

(**) Term: **14 Years**

(21) Appl. No.: **29/308,003**

(22) Filed: **May 22, 2008**

(30) **Foreign Application Priority Data**

Nov. 22, 2007 (JP) 2007-032171

(51) **LOC (9) Cl.** **14-02**

(52) **U.S. Cl.** **D14/439; D14/315**

(58) **Field of Classification Search** D14/315–327,
D14/348, 349, 351, 353–355, 385, 388–398,
D14/432–434, 439–447; 361/679.01, 679.02,
361/679.07, 679.08, 679.09, 679.1, 679.18,
361/679.19, 679.2, 679.26, 679.27, 679.28,
361/679.31, 679.55, 679.57, 679.58

See application file for complete search history.

(56) **References Cited**

U.S. PATENT DOCUMENTS

D361,553 S * 8/1995 De Iulius D14/318
D397,328 S 8/1998 Ide et al.
5,793,355 A * 8/1998 Youens 361/679.1
D410,916 S * 6/1999 Oba D14/432
D415,474 S * 10/1999 Goto D14/318

(Continued)

FOREIGN PATENT DOCUMENTS

JP D1167389 3/2003
JP D1209267 6/2004
JP D1259272 12/2005

OTHER PUBLICATIONS

U.S. Appl. No. 29/307,998, filed May 22, 2008.

Primary Examiner—Cathron C Brooks

Assistant Examiner—Deanna Fluegeman

(74) *Attorney, Agent, or Firm*—Brinks Hofer Gilson & Lione

(57) **CLAIM**

We claim the ornamental design for a portable computer, as shown and described.

DESCRIPTION

FIG. 1 is a top perspective view of the portable computer of the present invention;

FIG. 2 is a top view thereof;

FIG. 3 is a front view thereof;

FIG. 4 is a first side view thereof;

FIG. 5 is a second side view thereof;

FIG. 6 is a top perspective view of the portable computer of the present invention, shown at an enlarged scale, and with the unclaimed environment removed for clarity of illustration;

FIG. 7 is a top view thereof;

FIG. 8 is a front view thereof;

FIG. 9 is a rear view thereof;

FIG. 10 is a bottom view thereof;

FIG. 11 is a first side view thereof;

FIG. 12 is a second side view thereof;

FIG. 13 is a cross-section view taken along the line 13—13 of FIG. 8;

FIG. 14 is a cross-section view taken along the line 14—14 of FIG. 7;

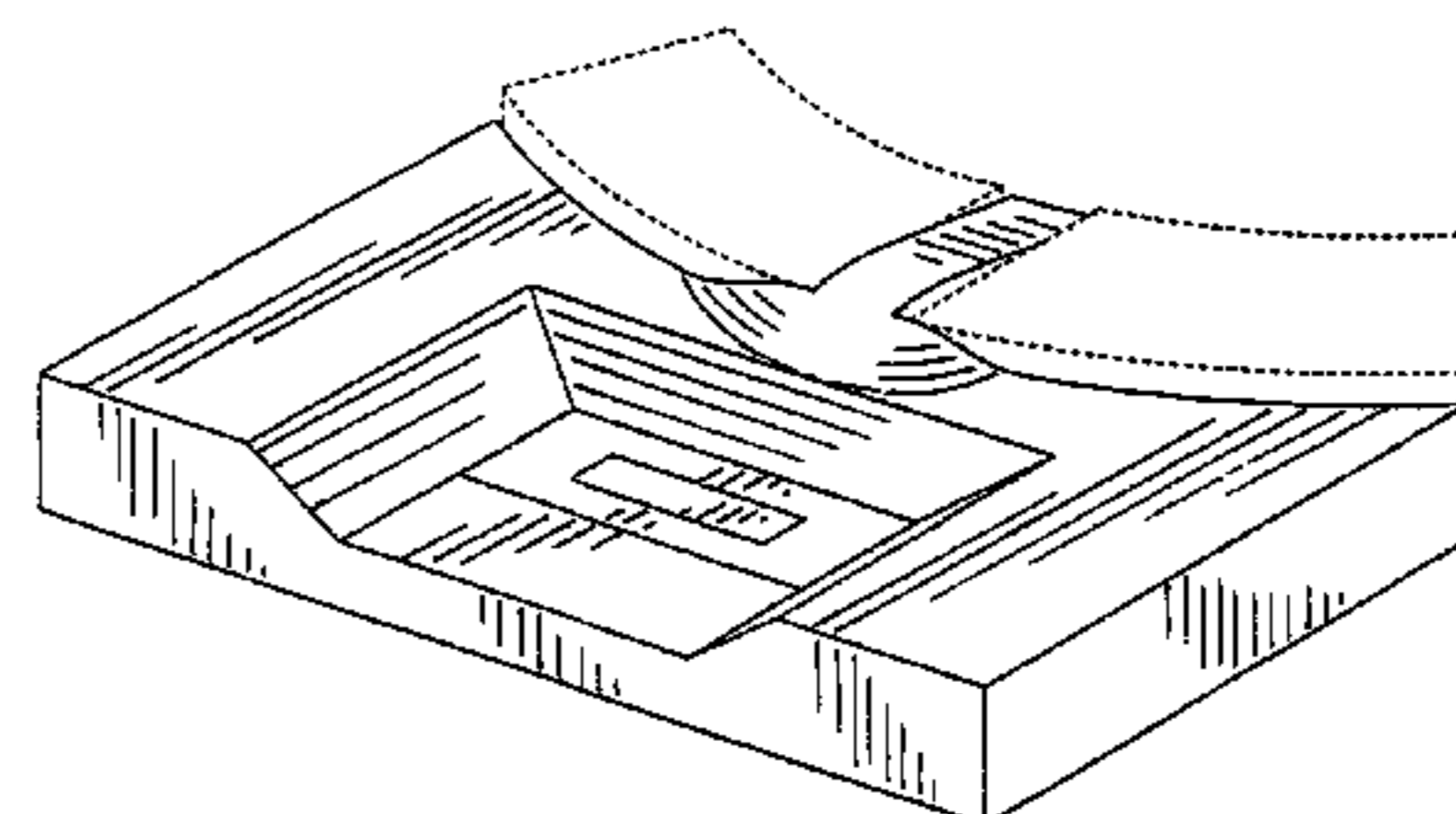
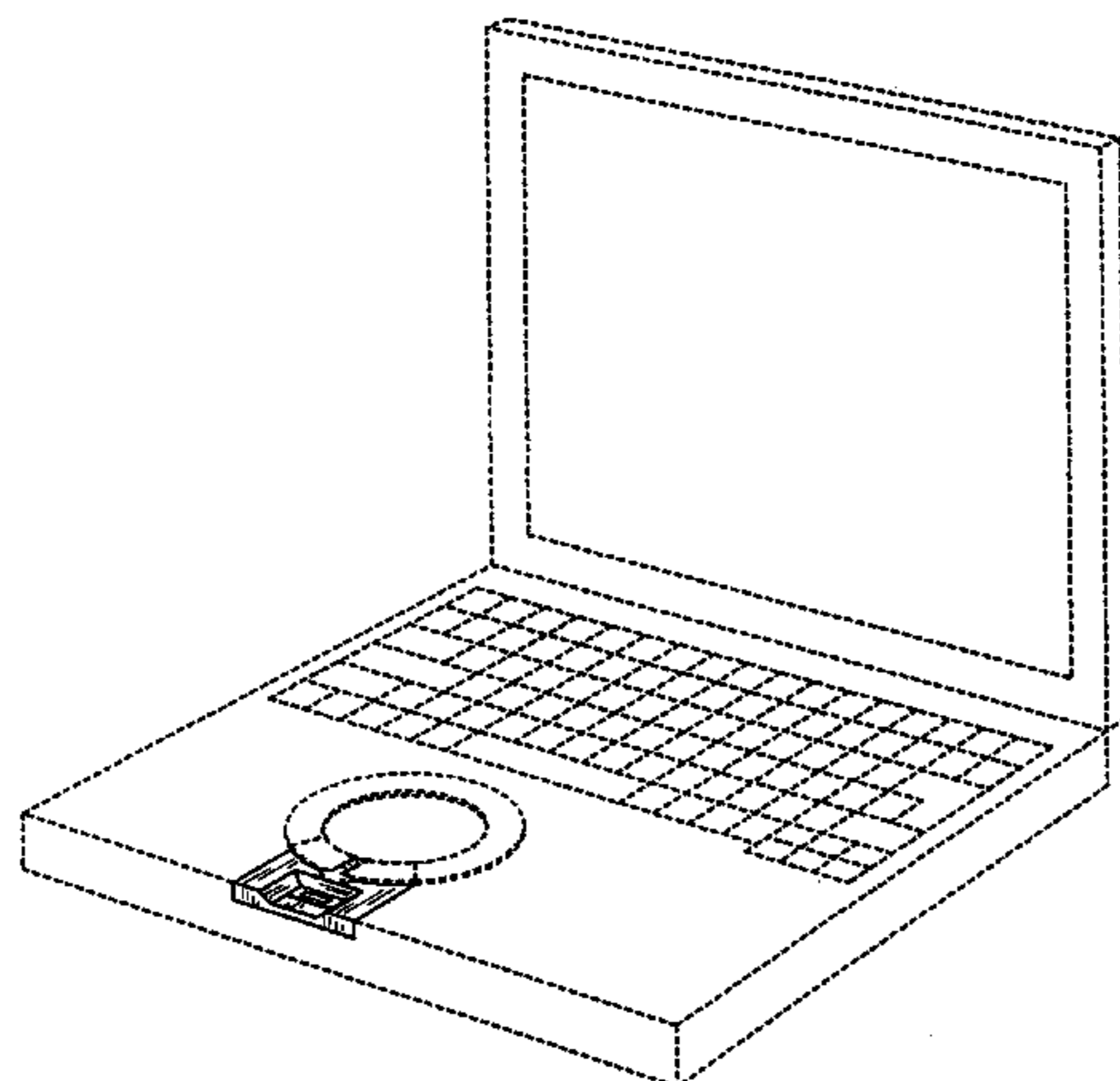
FIG. 15 is a cross-section view taken along the line 15—15 of FIG. 7;

FIG. 16 is a cross-section view taken along the line 16—16 of FIG. 7; and,

FIG. 17 is a top perspective view thereof shown in an environmental use.

The broken line showing of the portable computer is included for the purpose of illustrating environment and forms no part of the claimed design.

1 Claim, 6 Drawing Sheets



US D595,297 S

Page 2

U.S. PATENT DOCUMENTS

6,118,653	A *	9/2000	Kim	361/679.26				
6,166,722	A *	12/2000	Kawabe et al.	345/169				
6,205,021	B1 *	3/2001	Klein et al.	D14/318				
D444,464	S *	7/2001	Amano et al.	D14/322				
D449,307	S *	10/2001	Amano et al.	D14/455				
D452,861	S *	1/2002	Ogasawara	D14/322				
D462,967	S *	9/2002	Suzuki	D14/439				
D473,564	S *	4/2003	Yano	D14/455				
D478,089	S *	8/2003	Yokota	D14/455				
D482,029	S *	11/2003	Yoneda	D14/323				
D490,418	S *	5/2004	Liao	D14/318				
D492,301	S *	6/2004	Lu	D14/318				
6,847,350	B2 *	1/2005	Van Brocklin et al.	345/157				
6,933,921	B2 *	8/2005	Yasuda et al.	361/679.1				
D516,065	S *	2/2006	Lee et al.	D14/317				
D523,430	S *	6/2006	Lin	D14/318				
7,298,359	B2 *	11/2007	Kim et al.	345/158				
D568,308	S *	5/2008	Nakagawa	D14/315				
D580,438	S *	11/2008	Kuchler	D14/385				

* cited by examiner

FIG.1

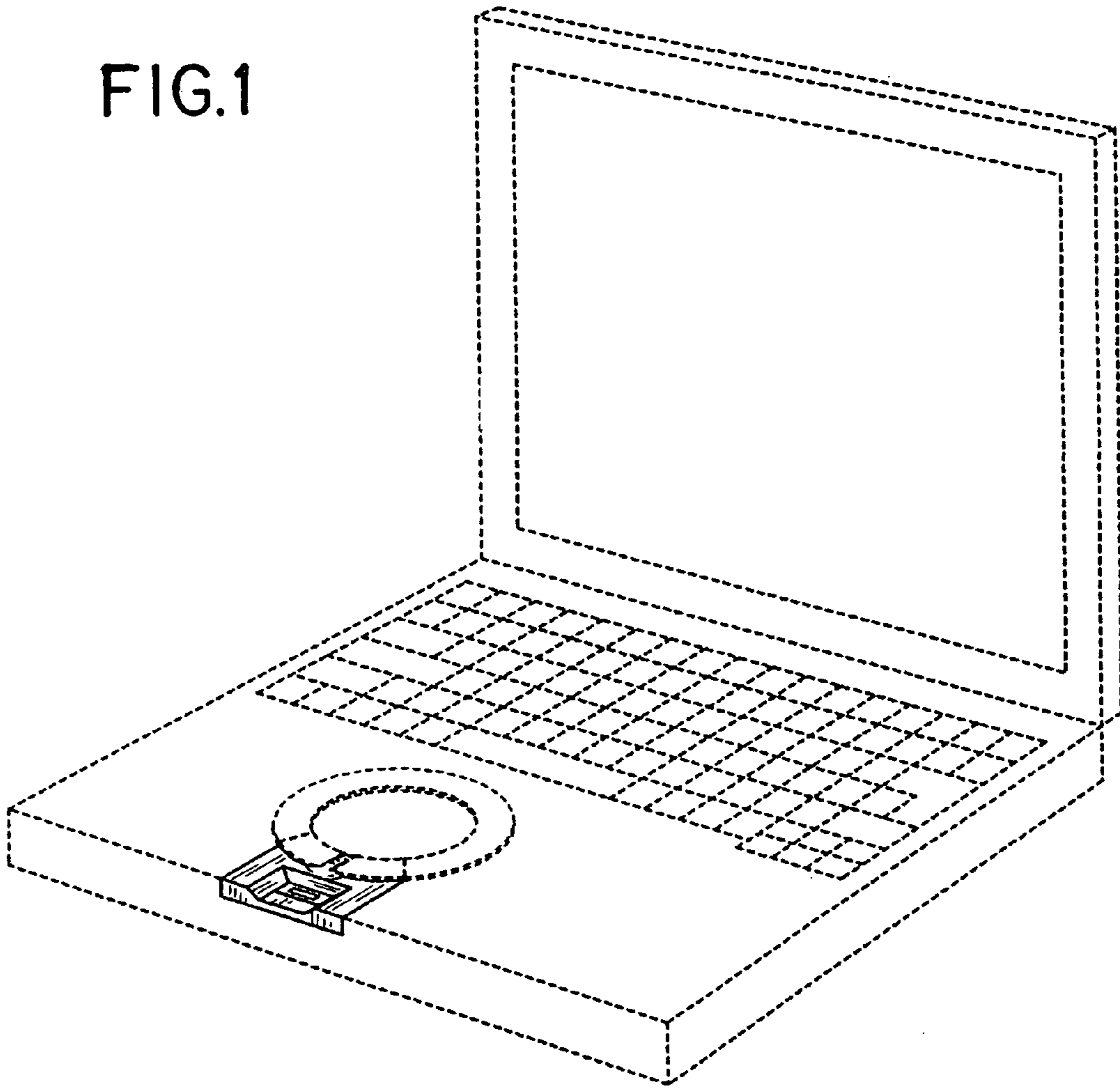


FIG. 2

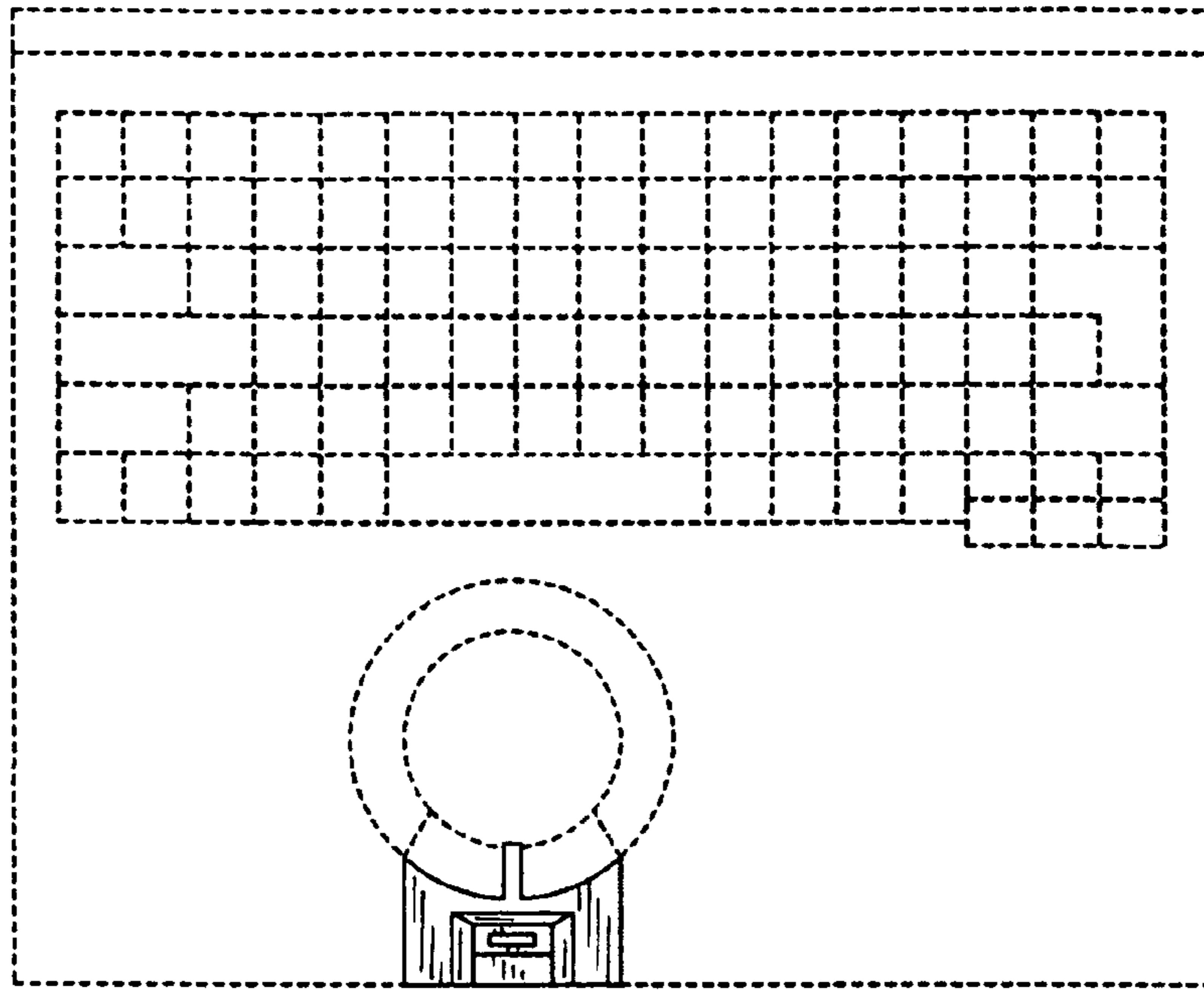


FIG. 3

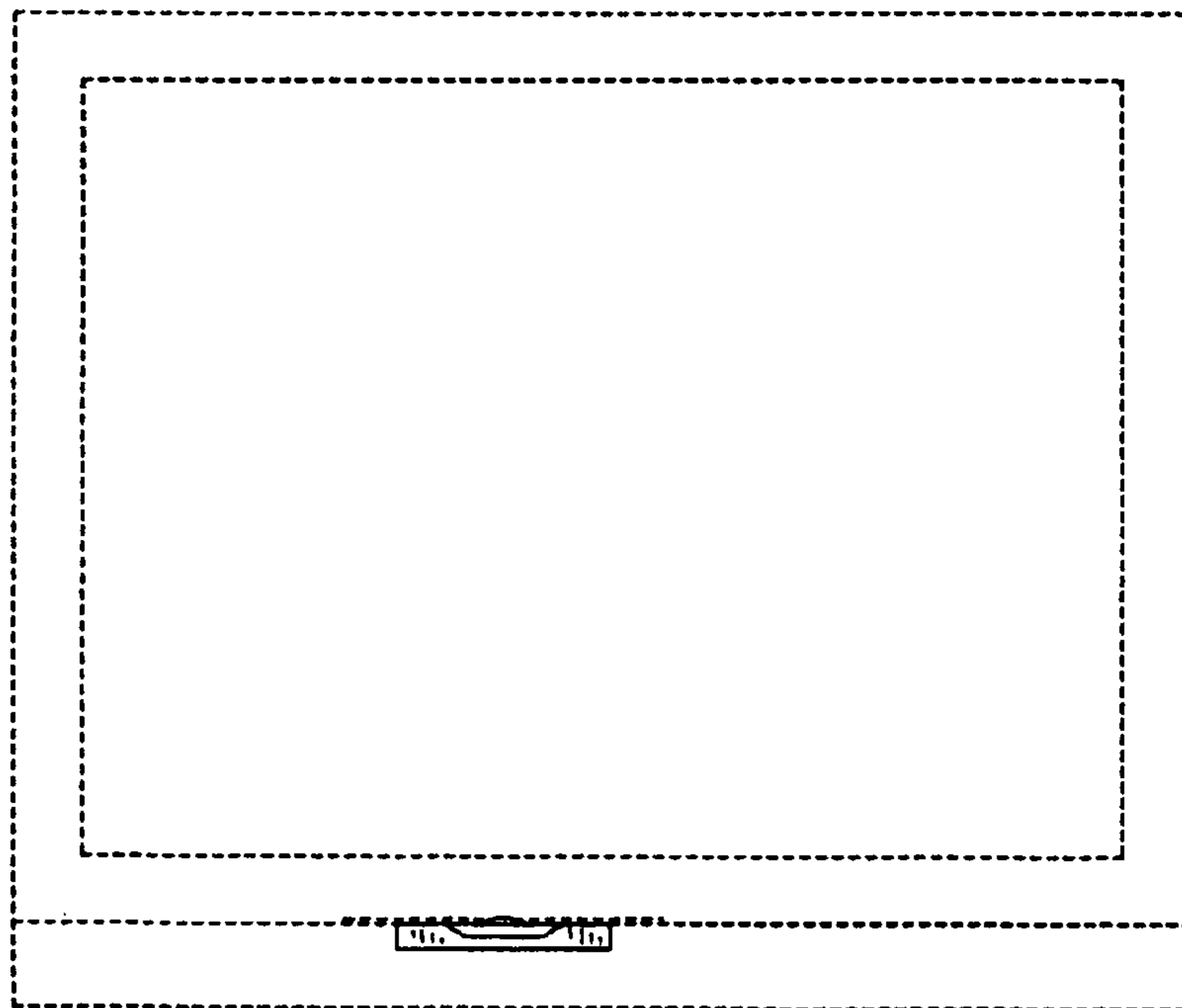


FIG. 4

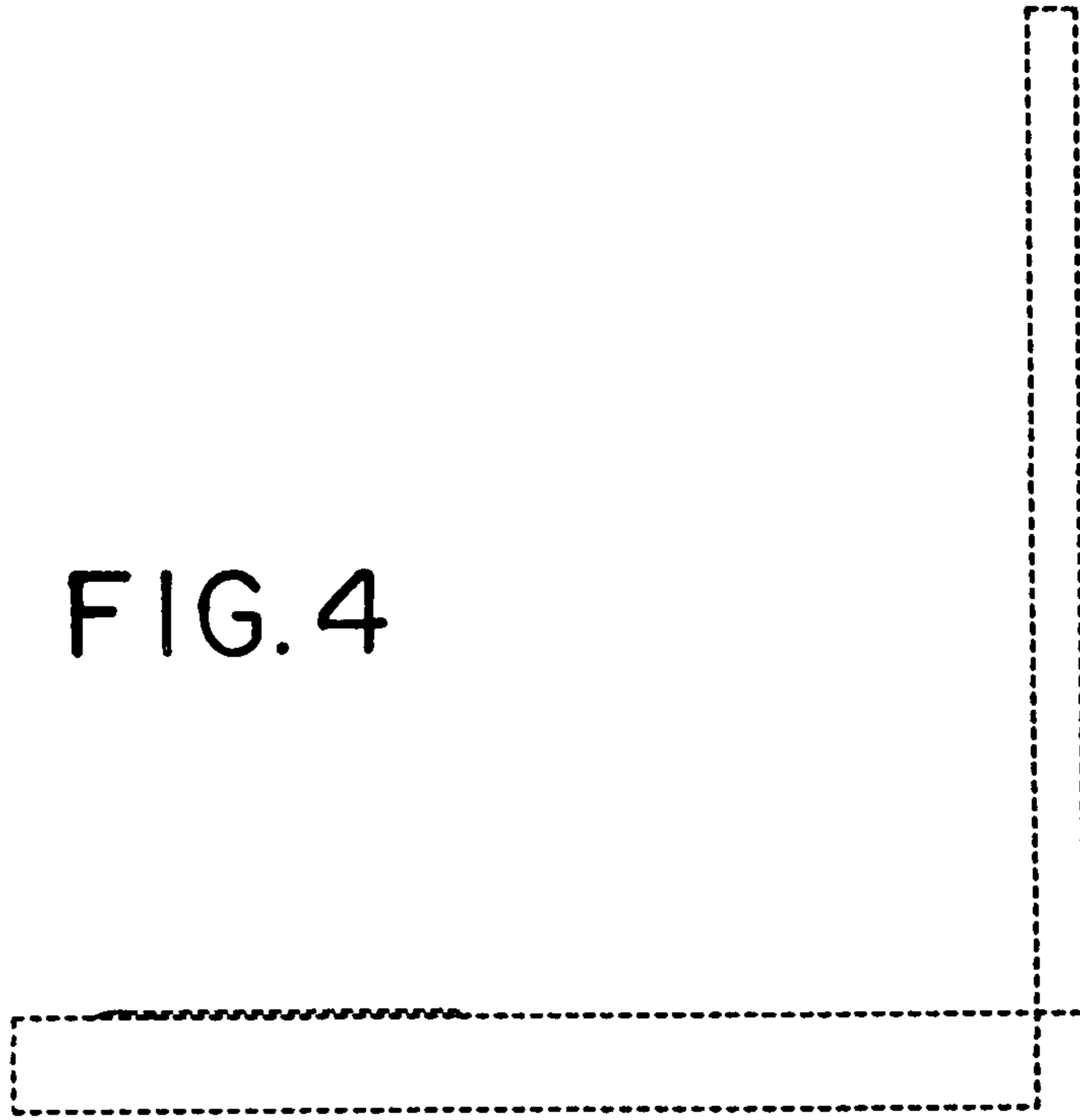


FIG. 5

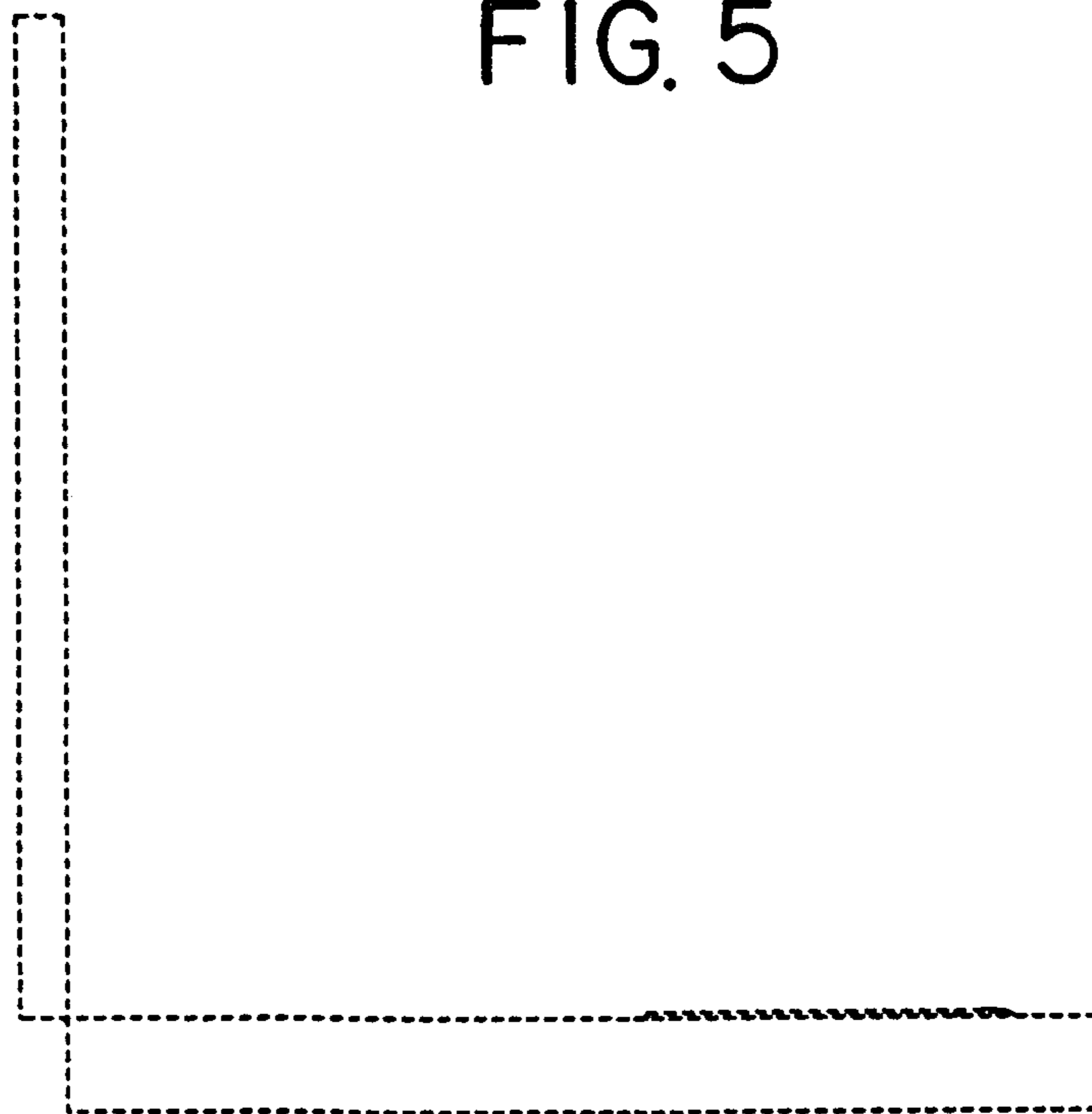


FIG. 6

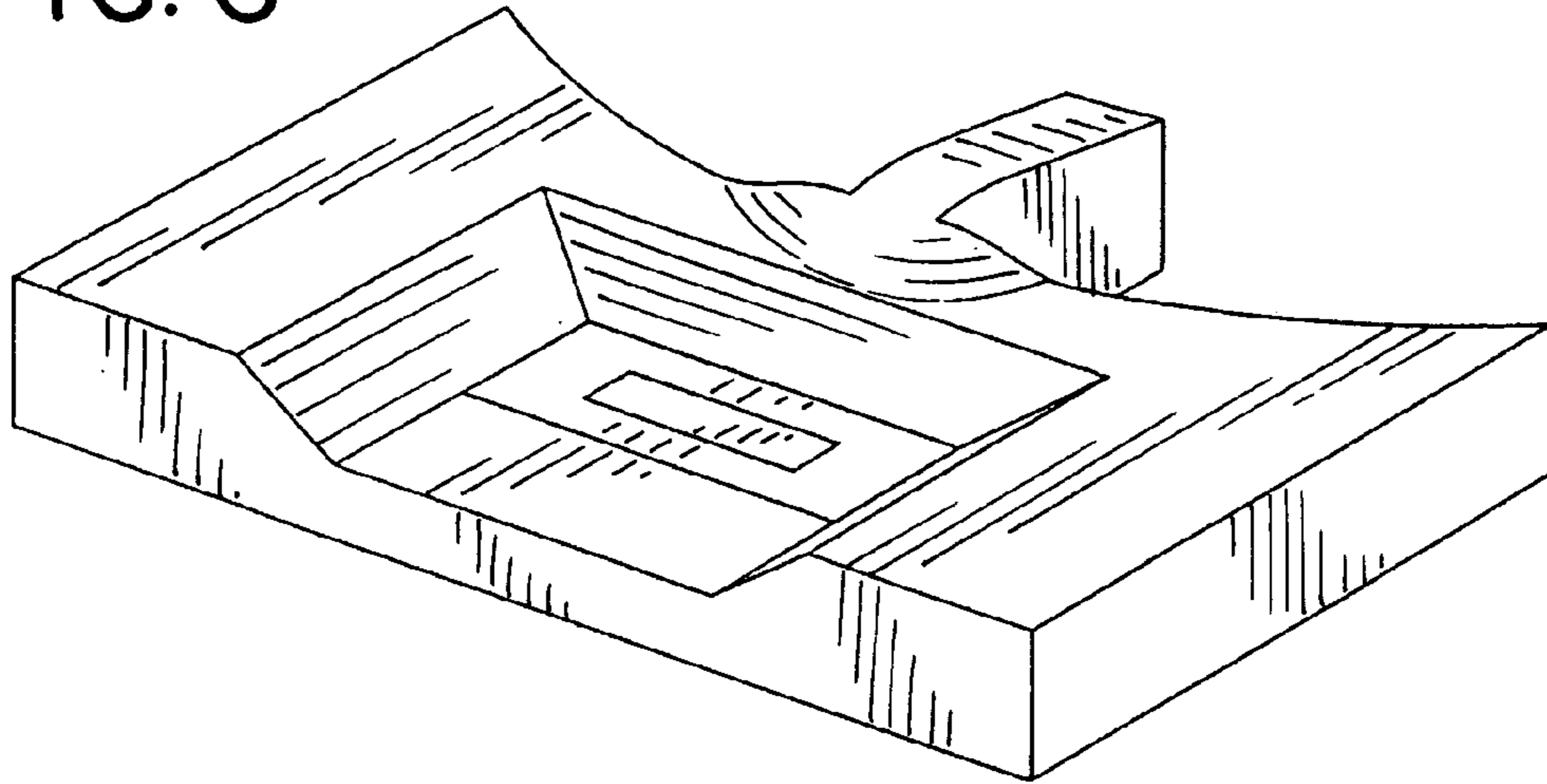


FIG. 7

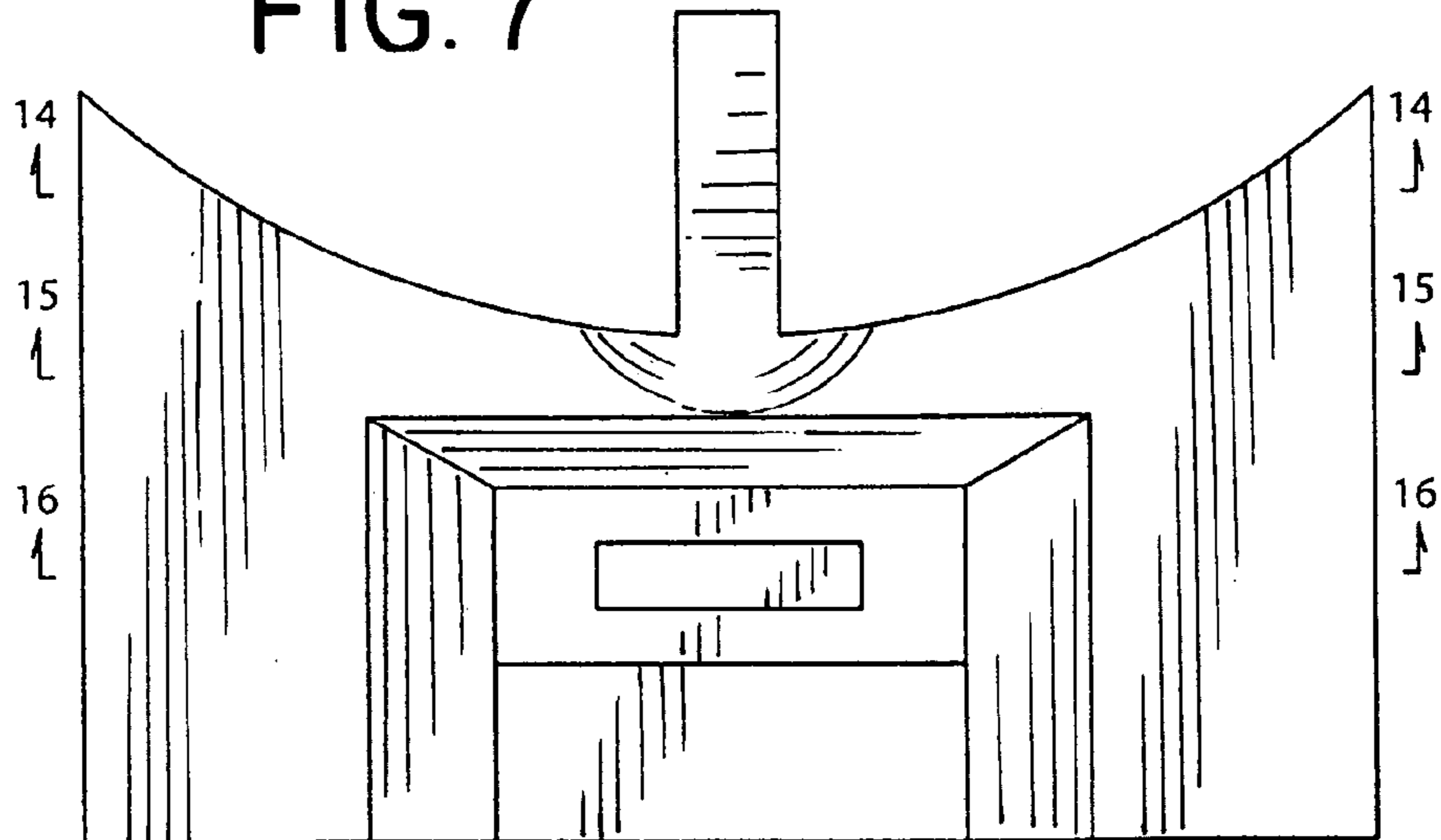


FIG. 8

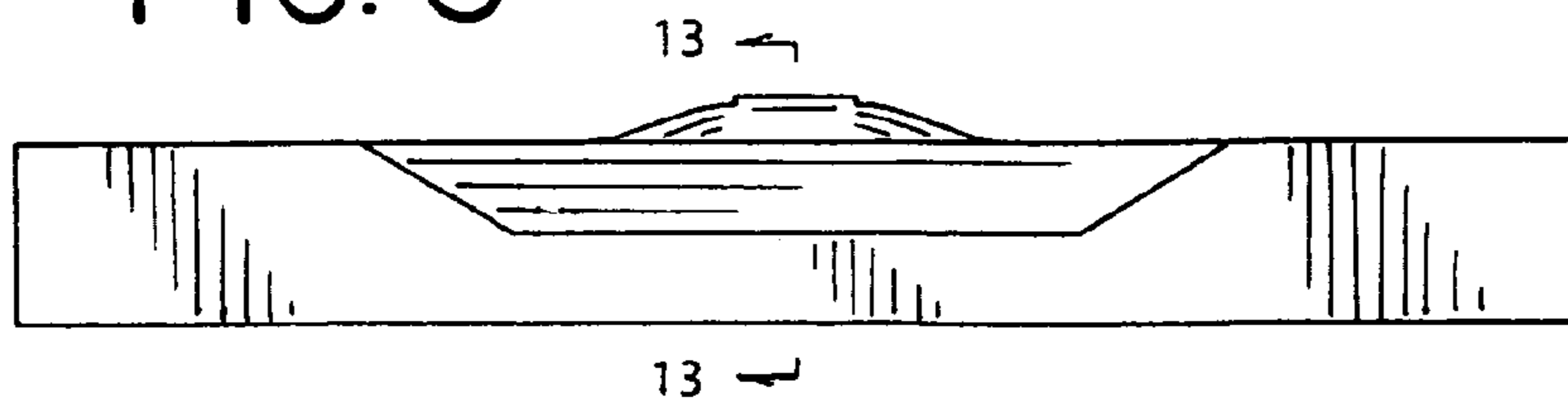


FIG. 9

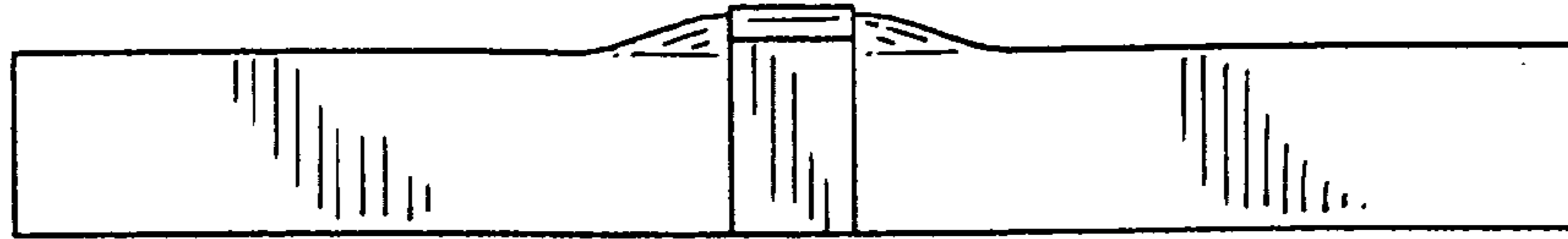


FIG. 10

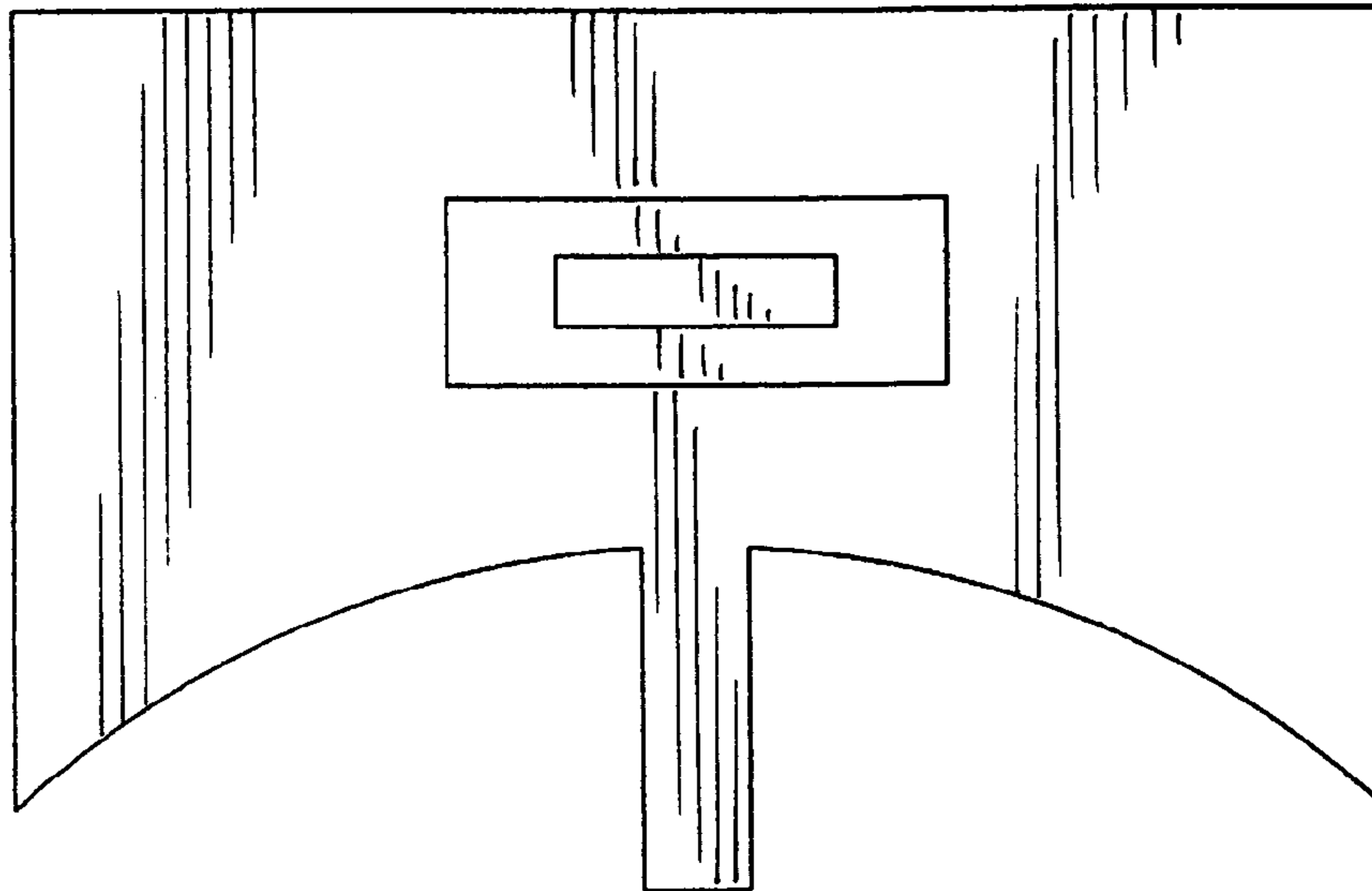


FIG. 11

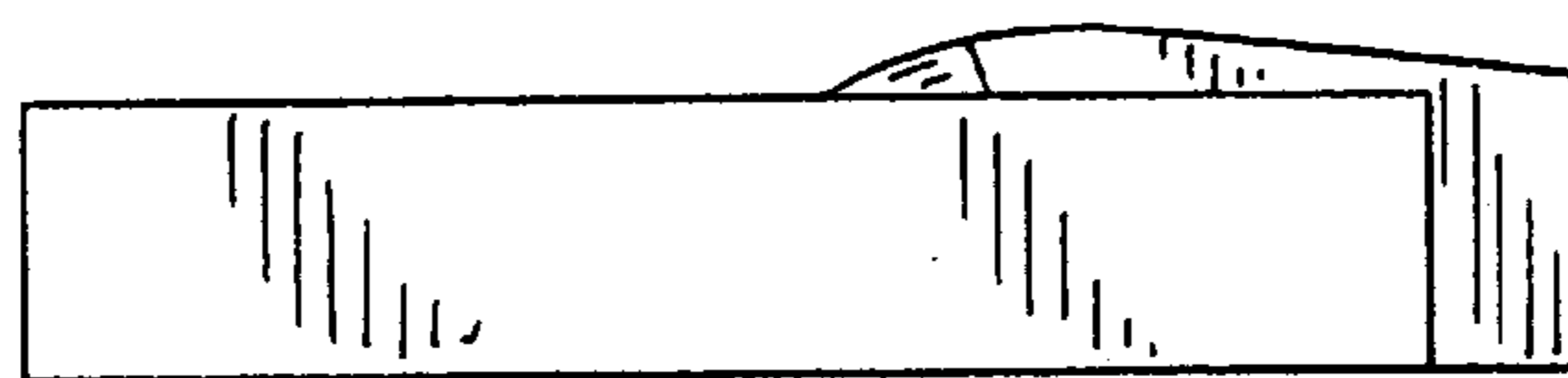


FIG. 12



FIG.13

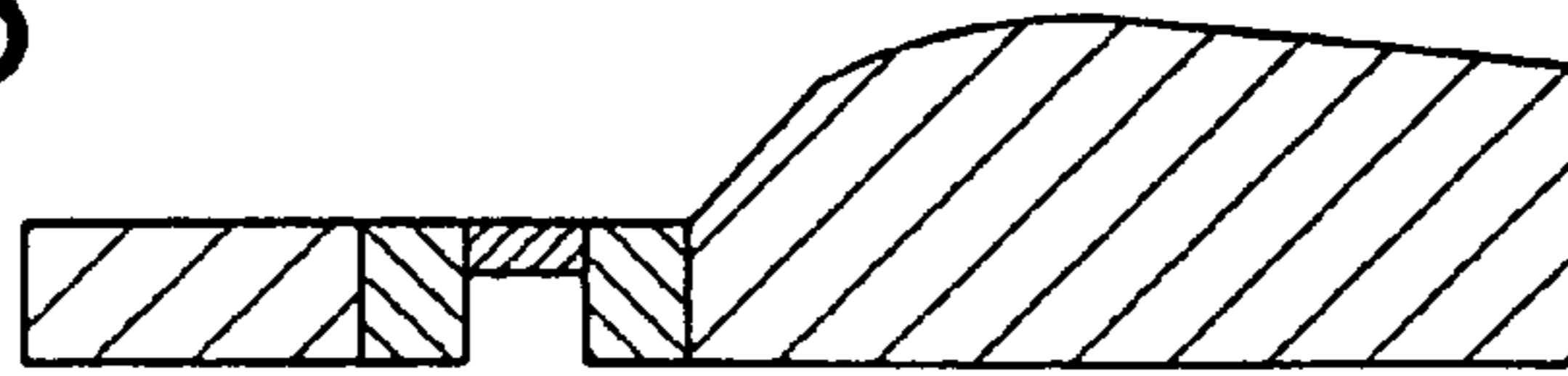


FIG.14

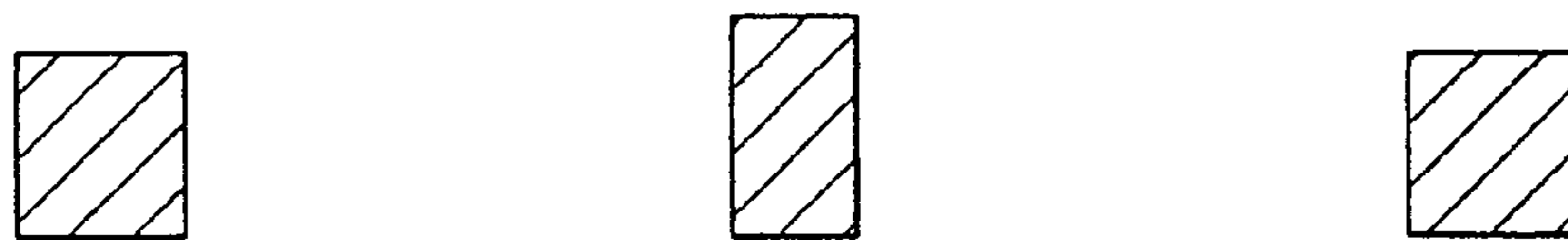


FIG.15

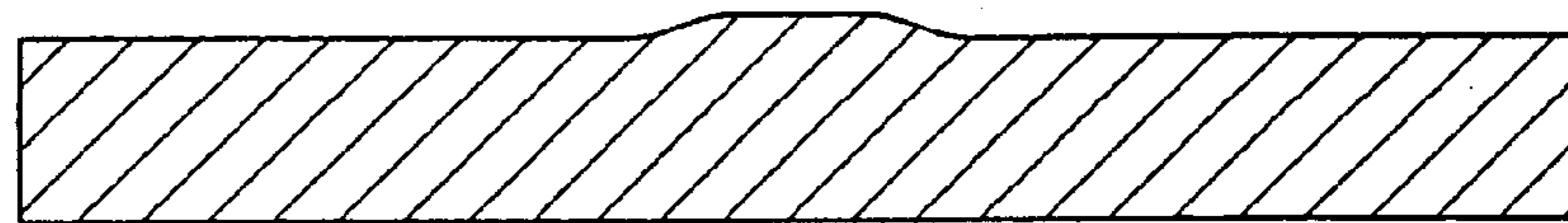


FIG.16



FIG.17

