



US00D595296S

(12) **United States Design Patent**
Chatterjee et al.

(10) **Patent No.:** **US D595,296 S**
(45) **Date of Patent:** **** Jun. 30, 2009**

(54) **ELECTRONIC MOUSE**
(75) Inventors: **Monique Chatterjee**, Seattle, WA (US);
Oliver Breit, Sheung Wan (HK);
Borislav Popov, Sheung Wan (HK)
(73) Assignee: **Microsoft Corporation**, Redmond, WA
(US)
(**) Term: **14 Years**
(21) Appl. No.: **29/305,939**
(22) Filed: **Mar. 31, 2008**

(51) **LOC (9) Cl.** **14-02**
(52) **U.S. Cl.** **D14/402**
(58) **Field of Classification Search** D14/402-410,
D14/356, 388, 389, 383-385, 417, 426; 345/156-167;
463/36-38; 358/471, 473
See application file for complete search history.

(56) **References Cited**
U.S. PATENT DOCUMENTS
D464,651 S * 10/2002 Kerestegian D14/402
D471,198 S * 3/2003 Guo et al. D14/402
D472,899 S * 4/2003 Hu et al. D14/402
D474,769 S * 5/2003 Fisher et al. D14/408
D491,949 S * 6/2004 Su et al. D14/408
D504,133 S * 4/2005 Canavan et al. D14/402
D506,198 S * 6/2005 Sheehan et al. D14/408
D513,004 S * 12/2005 Chen D14/408
D513,259 S * 12/2005 Chen D14/408
D518,055 S * 3/2006 Hu et al. D14/402
D521,998 S * 5/2006 Hirota D14/402
D540,799 S * 4/2007 Chatterjee et al. D14/402

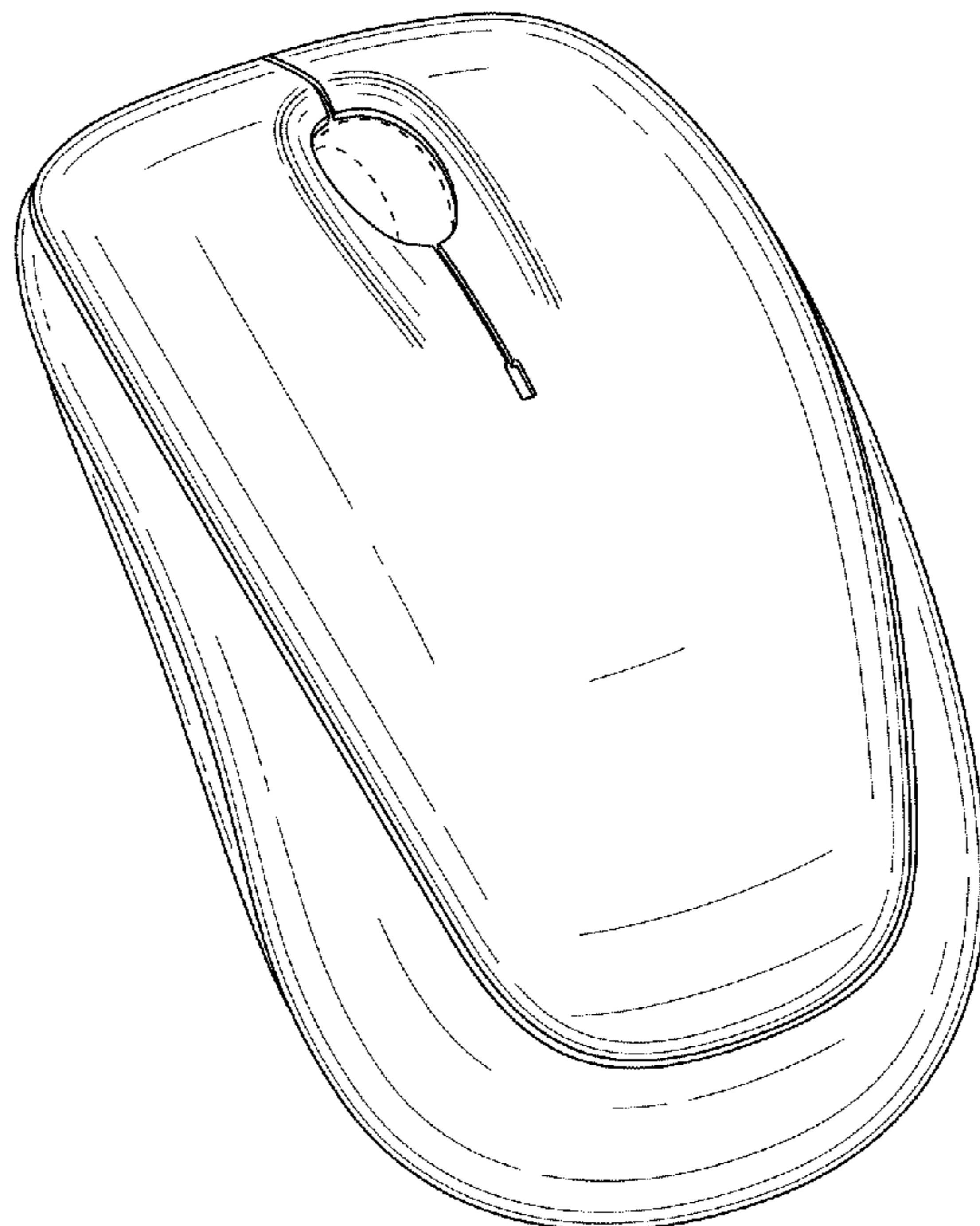
D541,803 S * 5/2007 Tseng et al. D14/402
D549,703 S * 8/2007 Nakata D14/402
7,312,789 B2 * 12/2007 Koike et al. 345/163
D563,411 S * 3/2008 Lin et al. D14/408
D570,842 S * 6/2008 Chatterjee et al. D14/402
D581,415 S * 11/2008 Hengel et al. D14/402
D581,417 S * 11/2008 Huang D14/402
2006/0017695 A1 * 1/2006 Wu 345/163
2008/0158157 A1 * 7/2008 Chang et al. 345/163

* cited by examiner
Primary Examiner—Cathron C Brooks
Assistant Examiner—Deanna Fluegeman
(74) *Attorney, Agent, or Firm*—Banner & Witcoff, Ltd.

(57) **CLAIM**
The ornamental design for an electronic mouse, as shown and described.

DESCRIPTION
FIG. 1 is a rear perspective view of an electronic mouse showing our new design;
FIG. 2 is a top view thereof;
FIG. 3 is a front view thereof;
FIG. 4 is a rear view thereof;
FIG. 5 is a left side view thereof;
FIG. 6 is a right side view thereof; and,
FIG. 7 is a bottom view thereof.
The broken line showing of various environmental structures is for illustrative purposes only and forms no part of the claimed design.

1 Claim, 5 Drawing Sheets



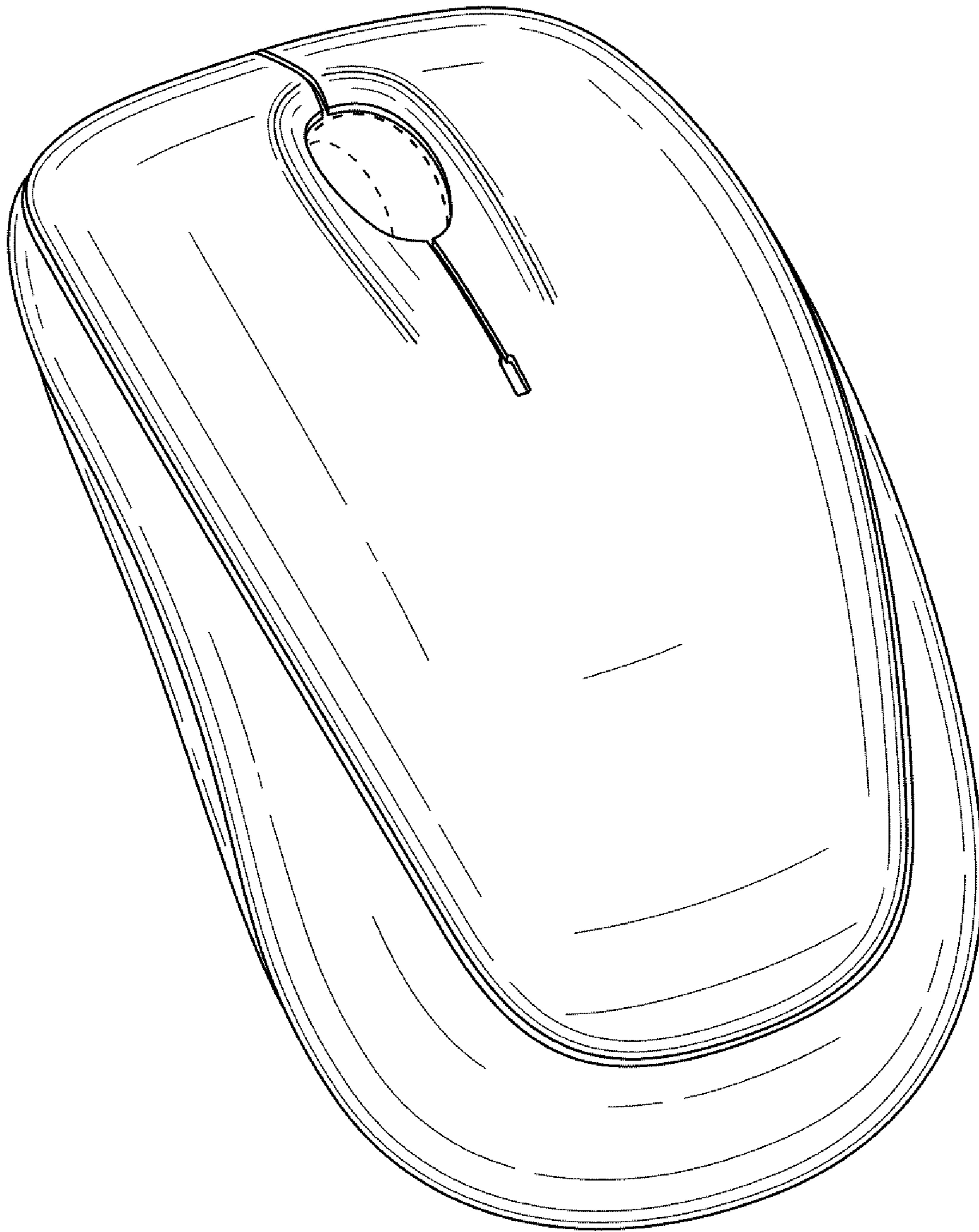


FIG. 1

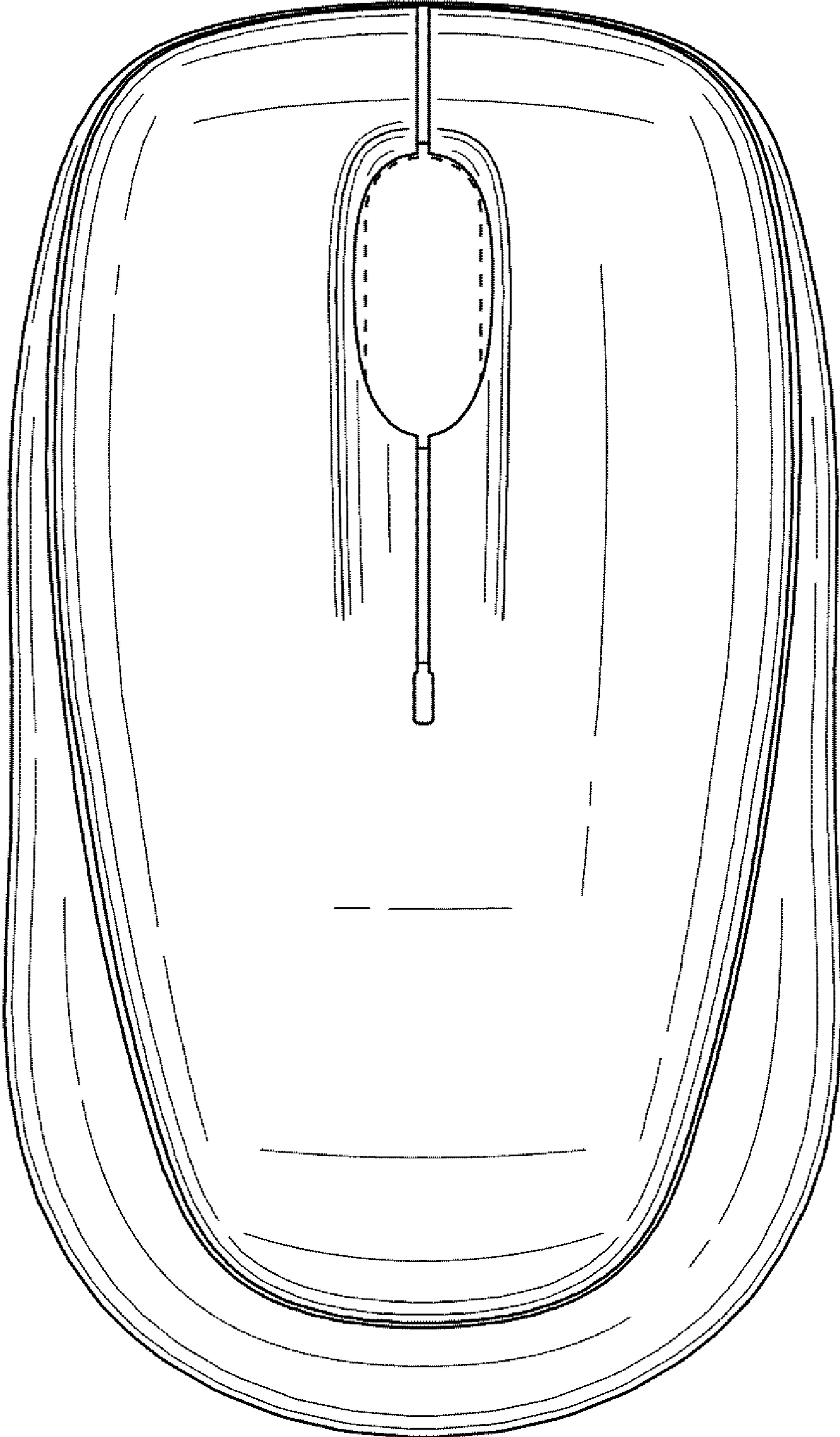


FIG. 2

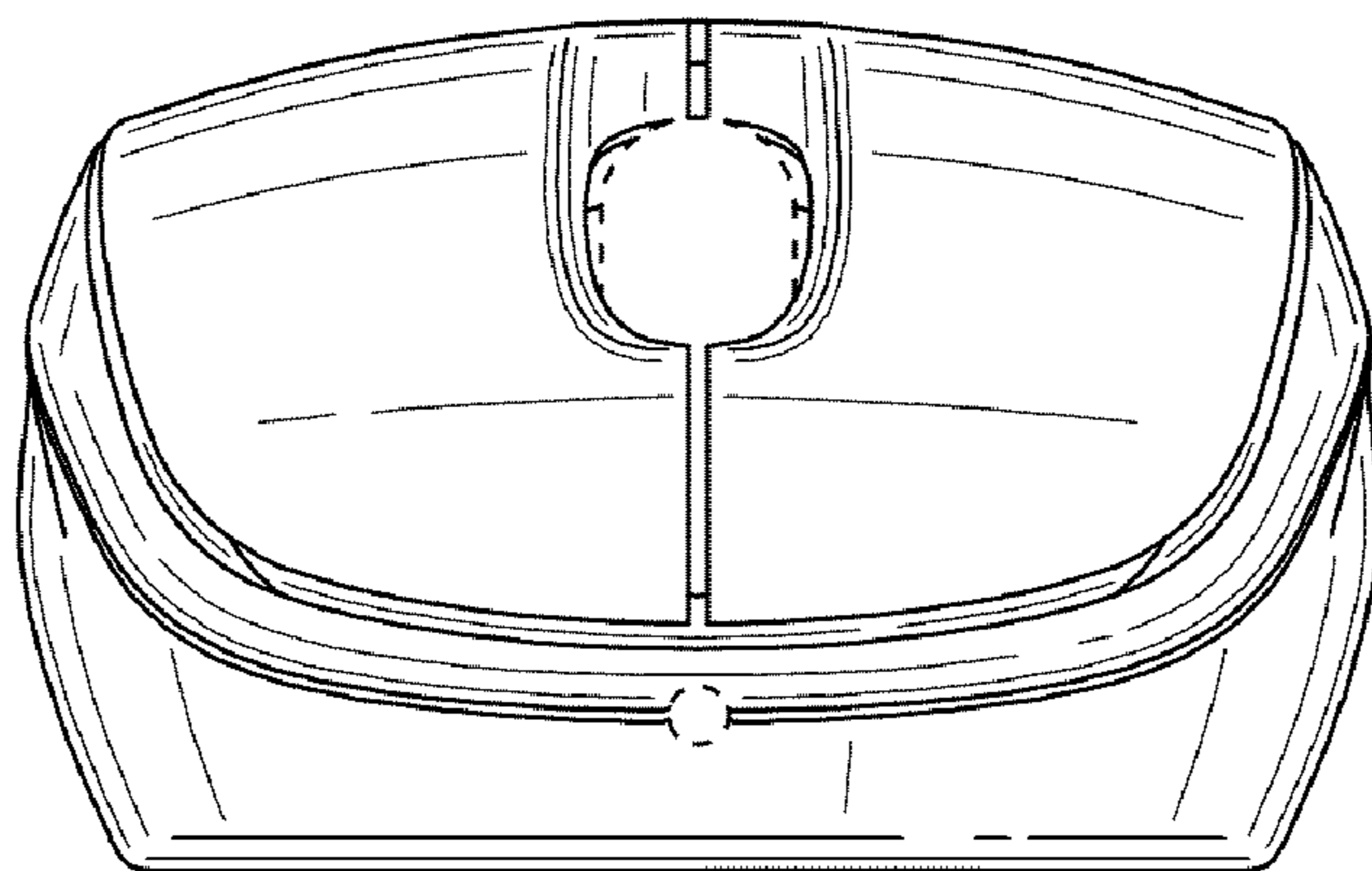


FIG. 3

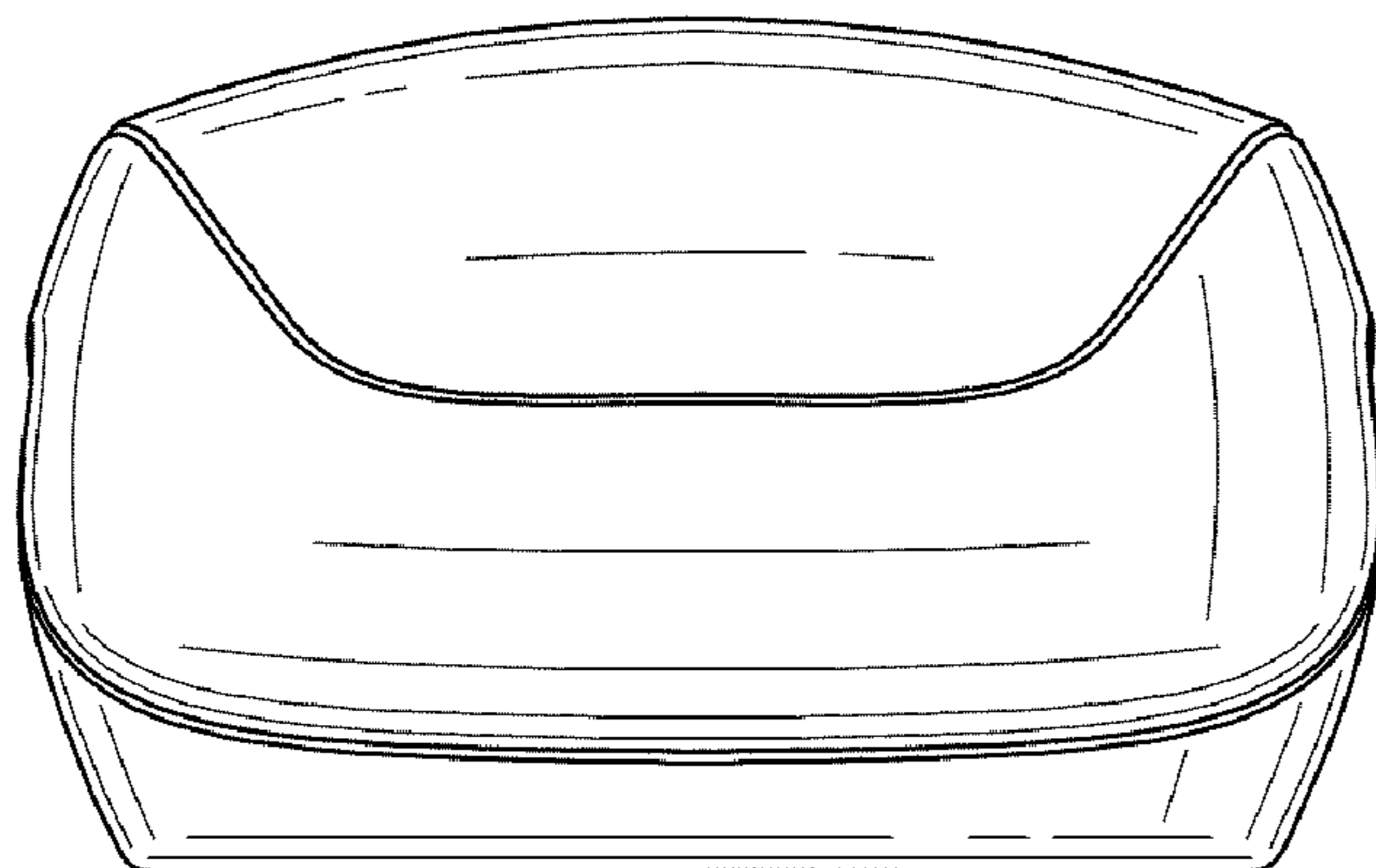


FIG. 4

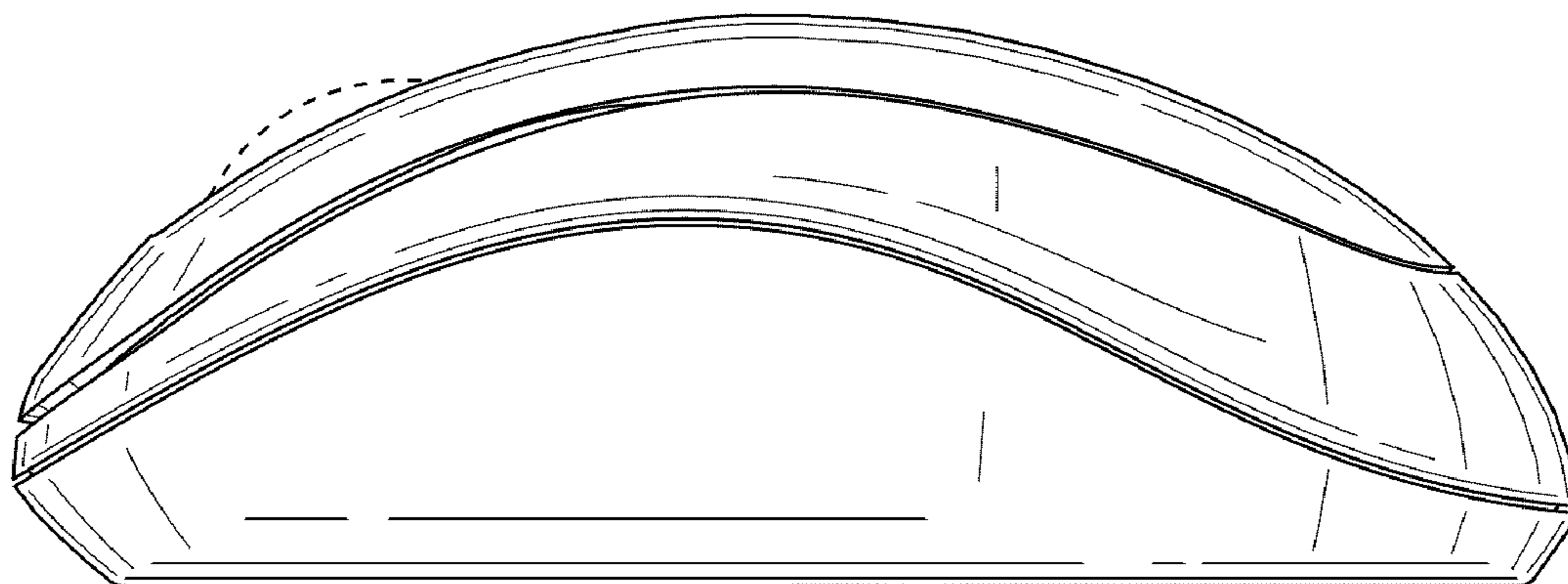


FIG. 5

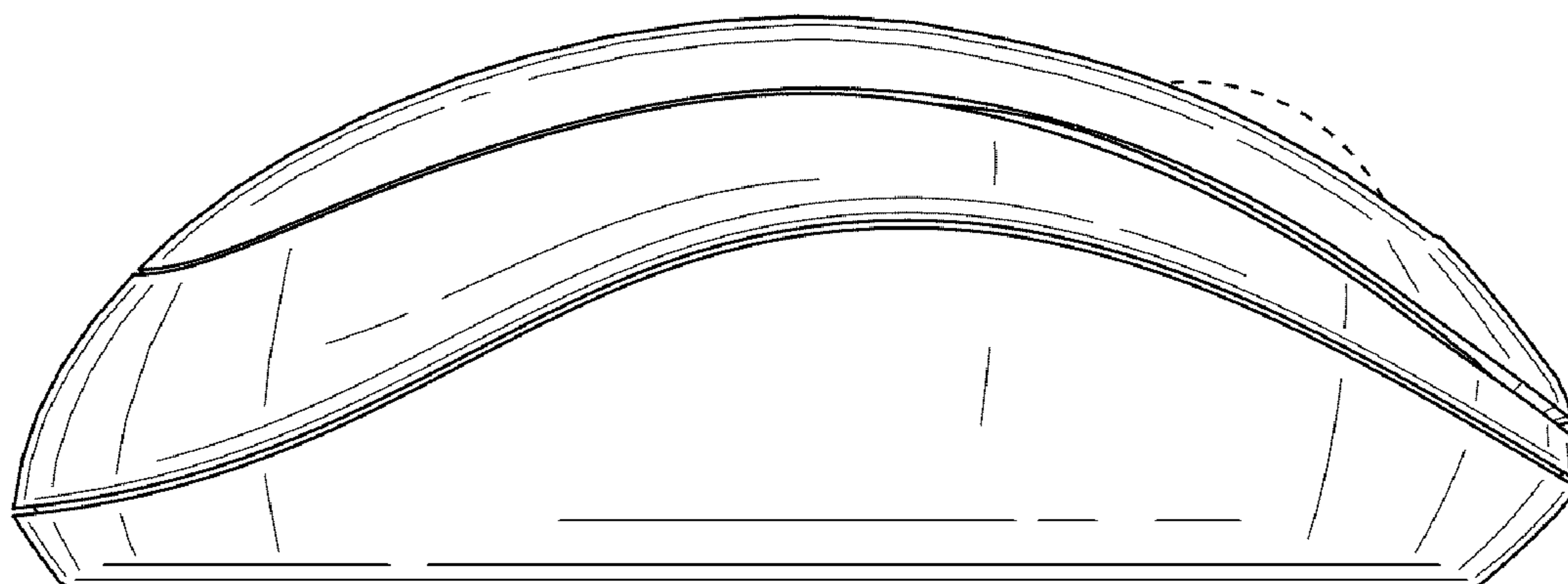


FIG. 6

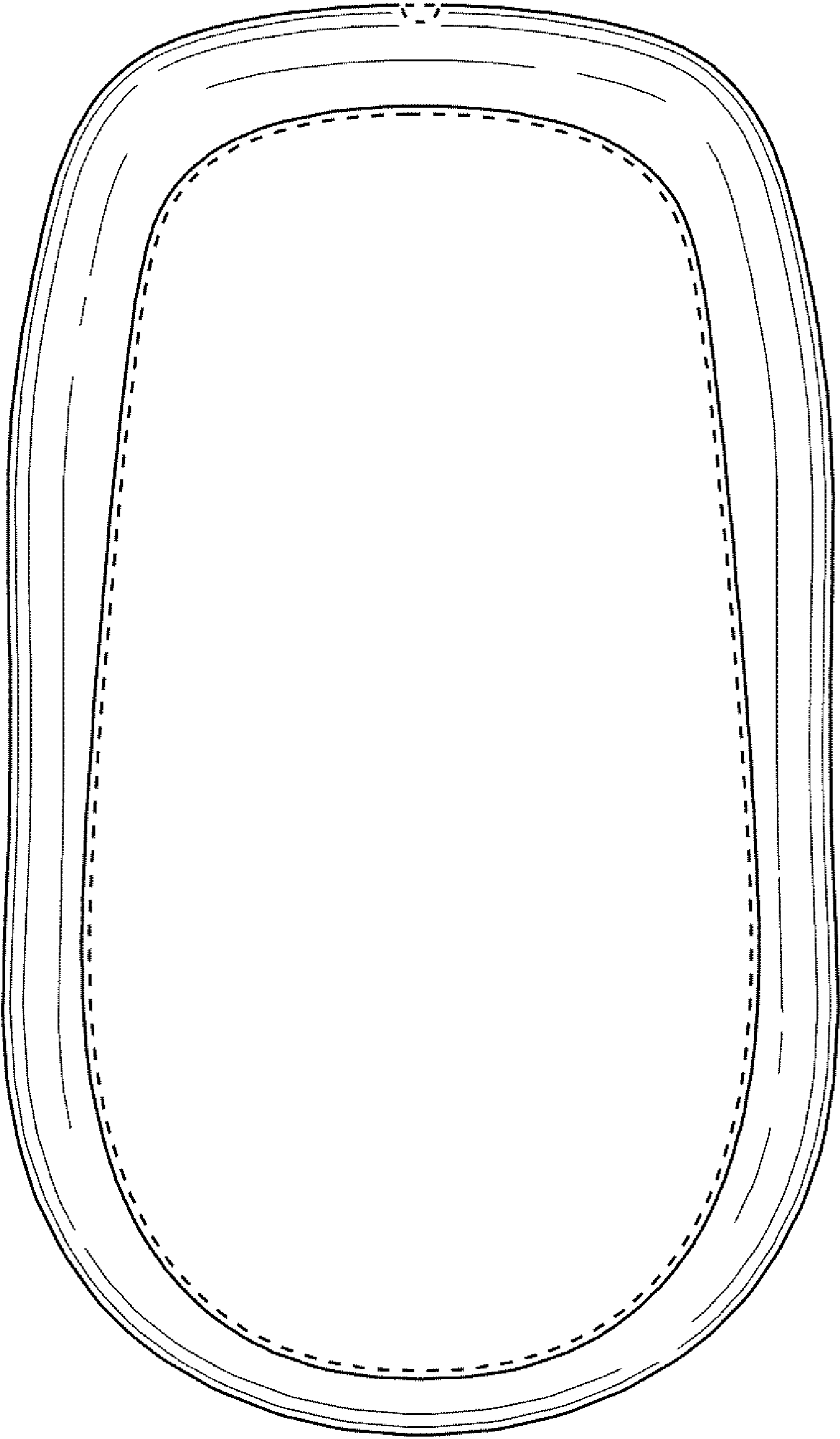


FIG. 7