



US00D595295S

(12) **United States Design Patent**
Shim

(10) **Patent No.:** **US D595,295 S**
(45) **Date of Patent:** **** Jun. 30, 2009**

(54) **DISPLAY FOR COMPUTER**
(75) Inventor: **Patricke I. K. Shim**, Gyeonggi-do (KR)
(73) Assignee: **LG Electronics Inc.**, Seoul (KR)
(**) Term: **14 Years**
(21) Appl. No.: **29/318,209**
(22) Filed: **May 15, 2008**

(30) **Foreign Application Priority Data**
Nov. 21, 2007 (KR) 30-2007-0048399

(51) **LOC (9) Cl.** **14-02**
(52) **U.S. Cl.** **D14/374**
(58) **Field of Classification Search** D14/371-376,
D14/125-129; 345/104, 156, 168, 173, 87,
345/1.1, 901-905; 341/12; 348/180, 184,
348/325, 739; 349/1, 2, 11, 58; 248/917-924;
361/679.23, 679.08
See application file for complete search history.

(56) **References Cited**
U.S. PATENT DOCUMENTS
6,381,125 B1 * 4/2002 Mizoguchi et al. 361/679.08
D494,941 S * 8/2004 Kim D14/126

6,807,051 B2 * 10/2004 Takahashi 361/679.23
D522,509 S * 6/2006 Park et al. D14/375
D544,861 S * 6/2007 Hwang D14/375
D551,186 S * 9/2007 Yang et al. D14/126
D556,160 S * 11/2007 Lee et al. D14/126

* cited by examiner

Primary Examiner—Freda S Nunn
(74) *Attorney, Agent, or Firm*—Morgan, Lewis & Bockius
LLP

(57) **CLAIM**

The ornamental design for a display for computer, as shown and described.

DESCRIPTION

FIG. 1 is a perspective view of a display for computer showing my new design;
FIG. 2 is a front view thereof;
FIG. 3 is a rear view thereof;
FIG. 4 is a left side view thereof;
FIG. 5 is a right side view thereof;
FIG. 6 is a top plan view thereof; and,
FIG. 7 is a bottom plan view thereof.

1 Claim, 6 Drawing Sheets

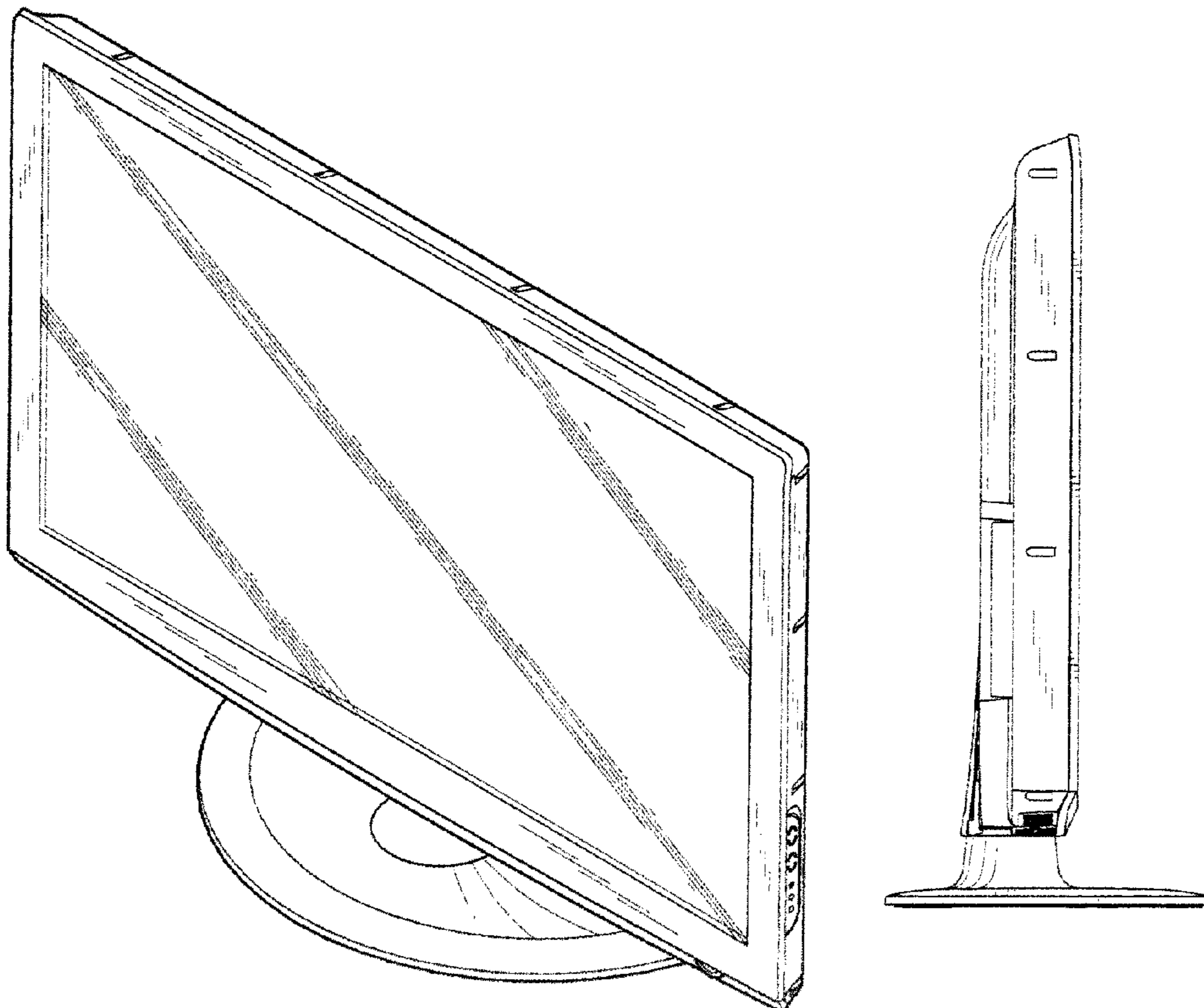


FIG. 1

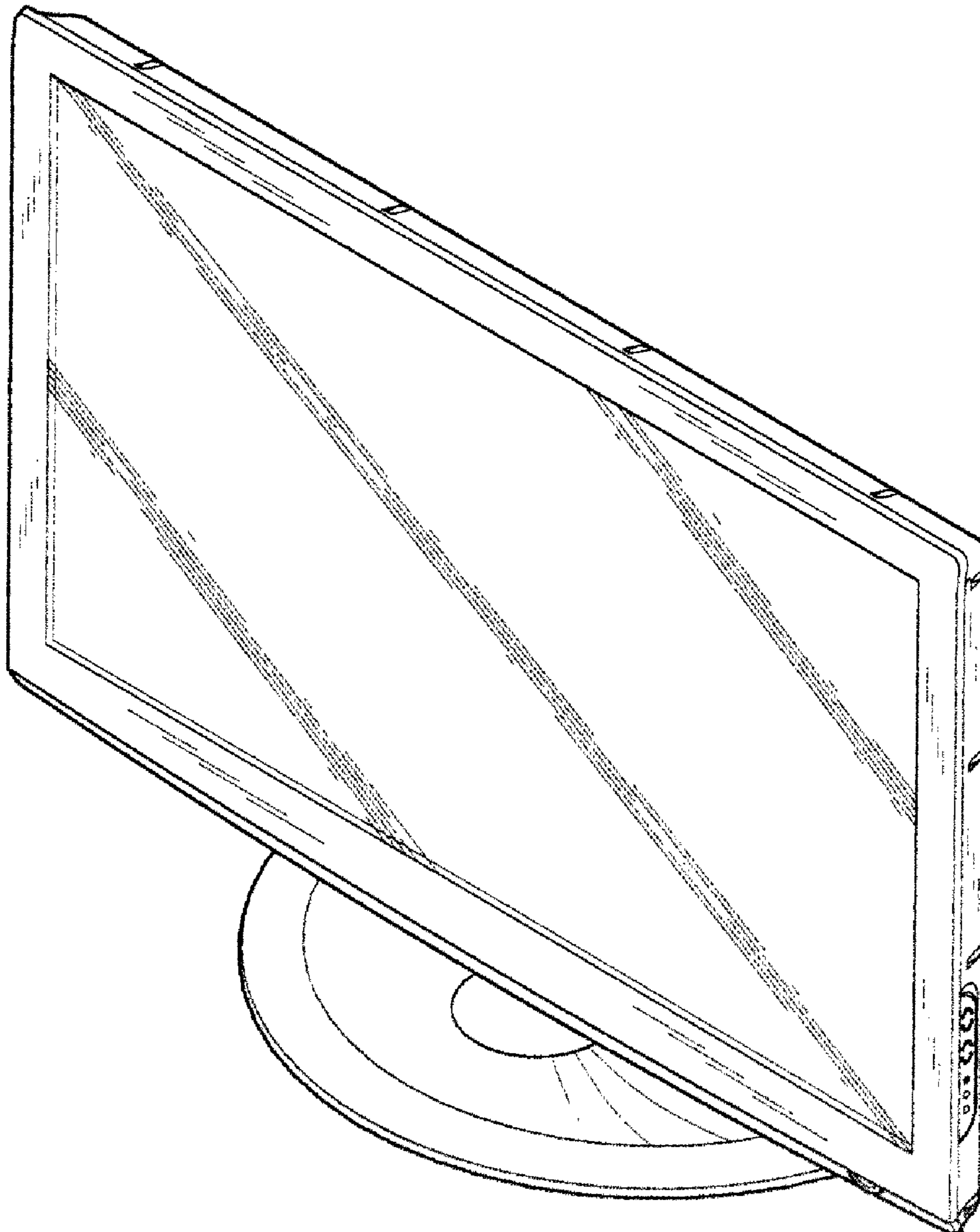


FIG. 2

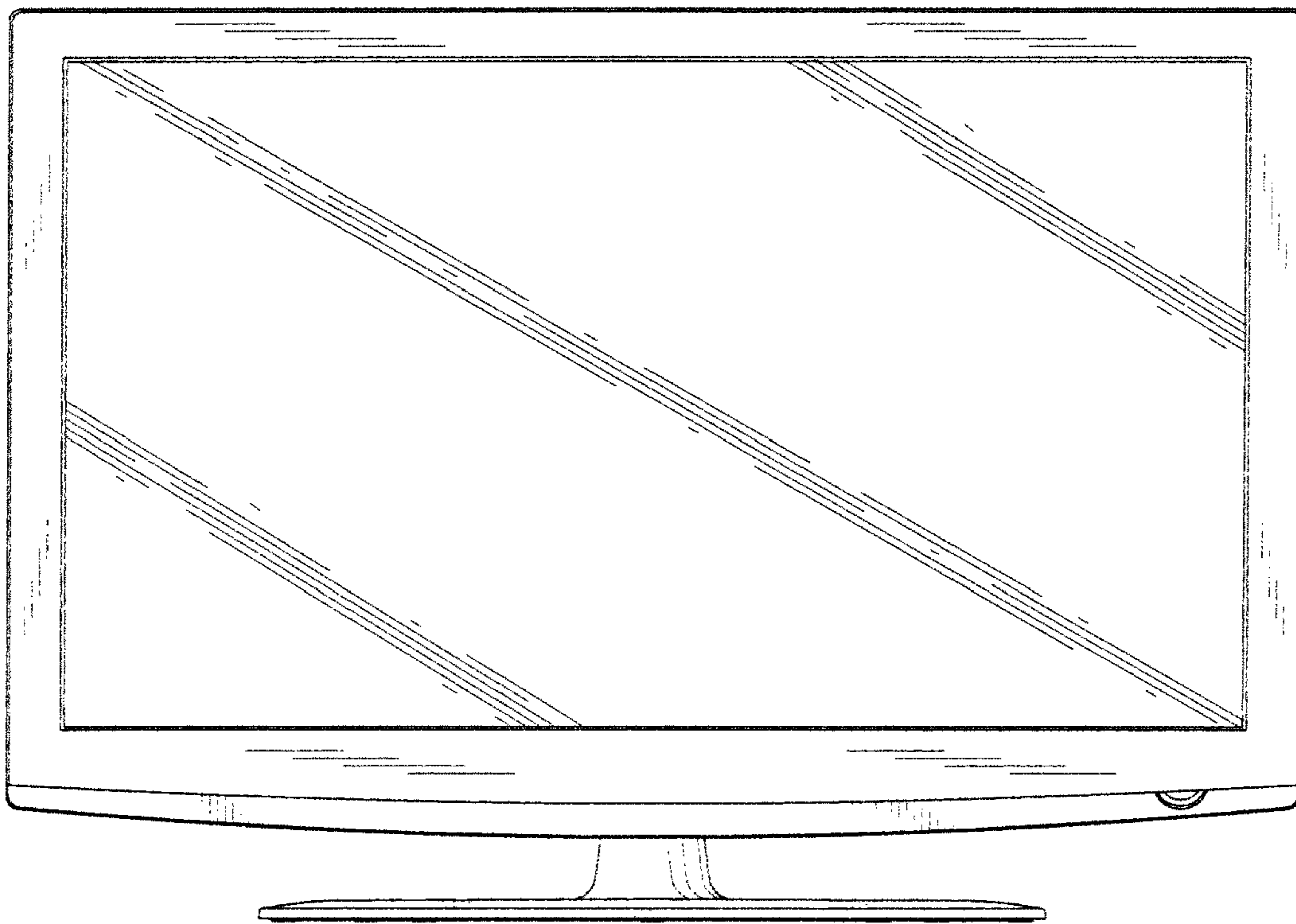


FIG. 3

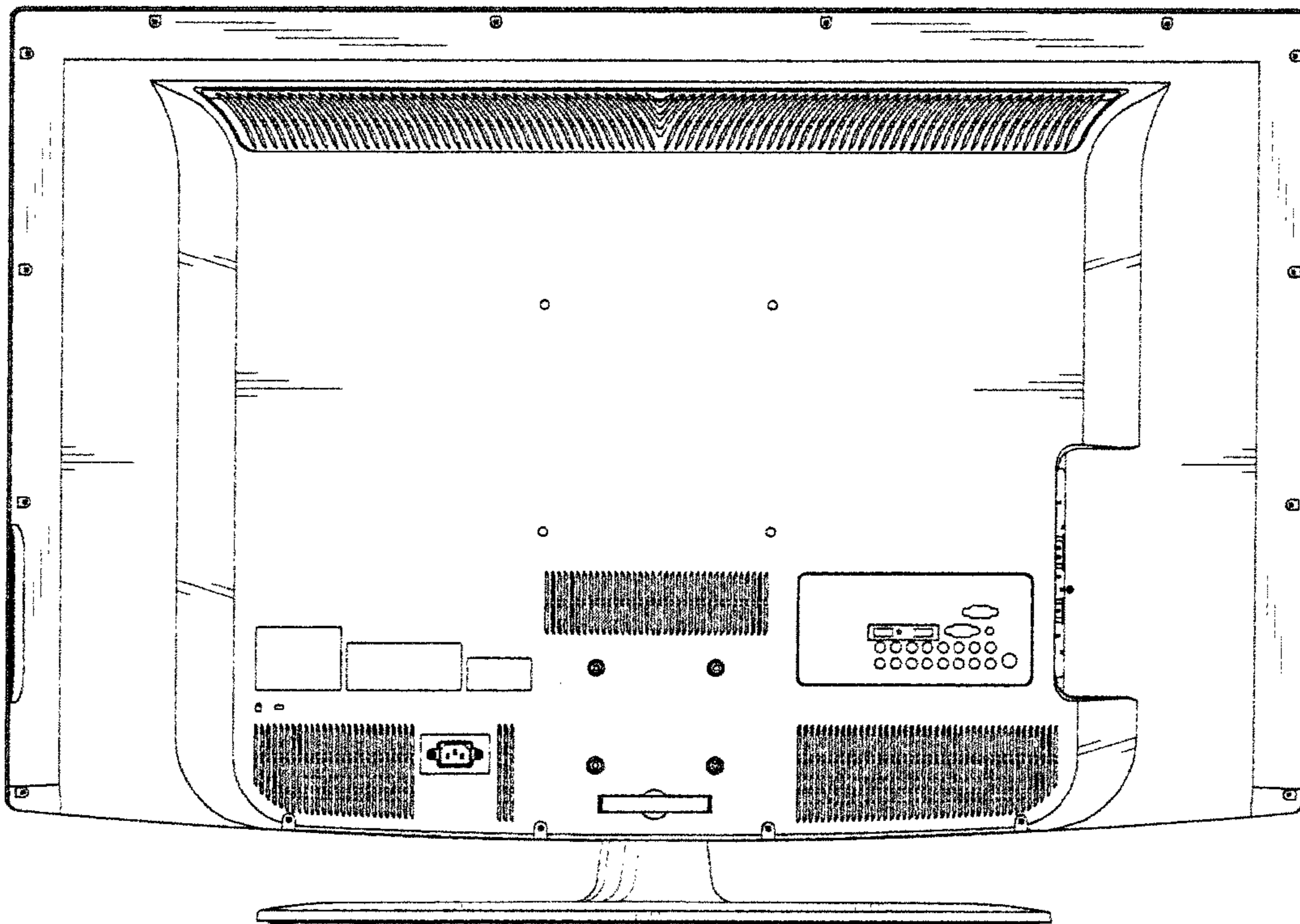


FIG. 4

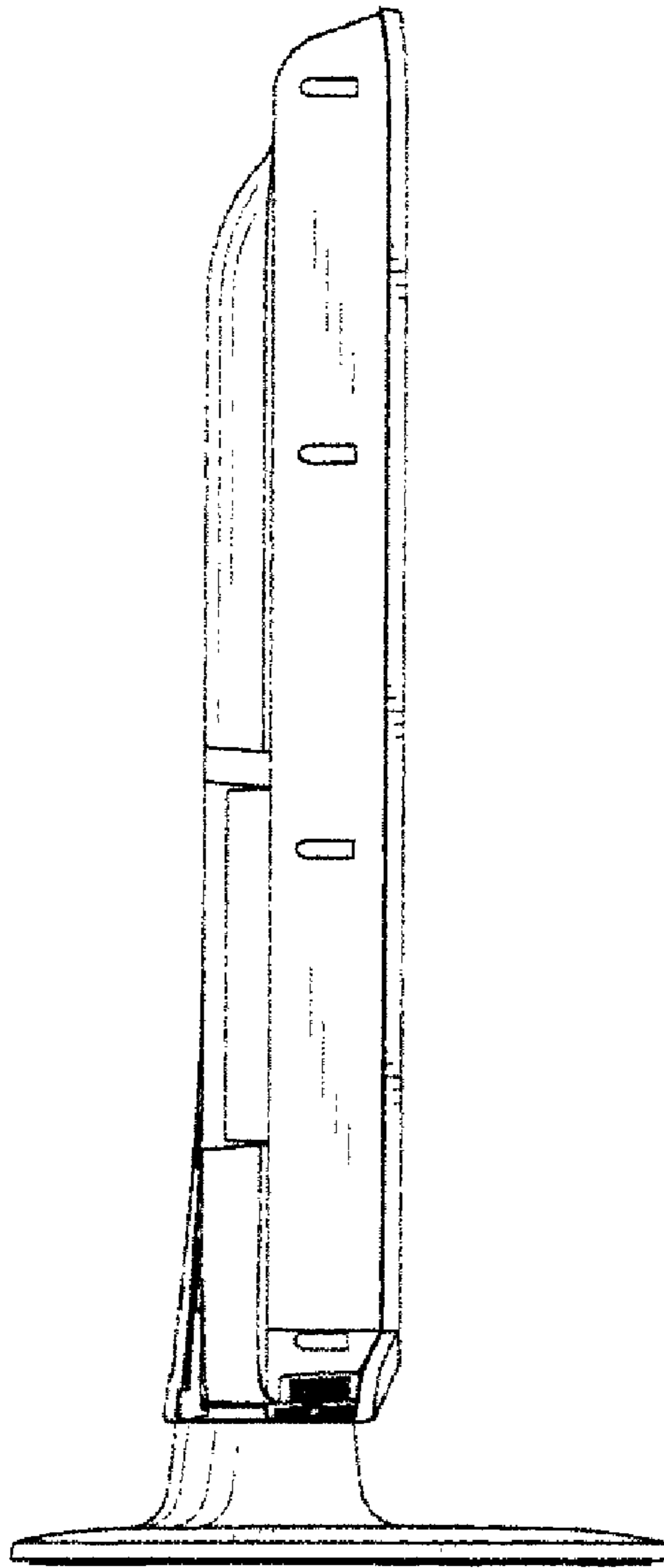


FIG. 5

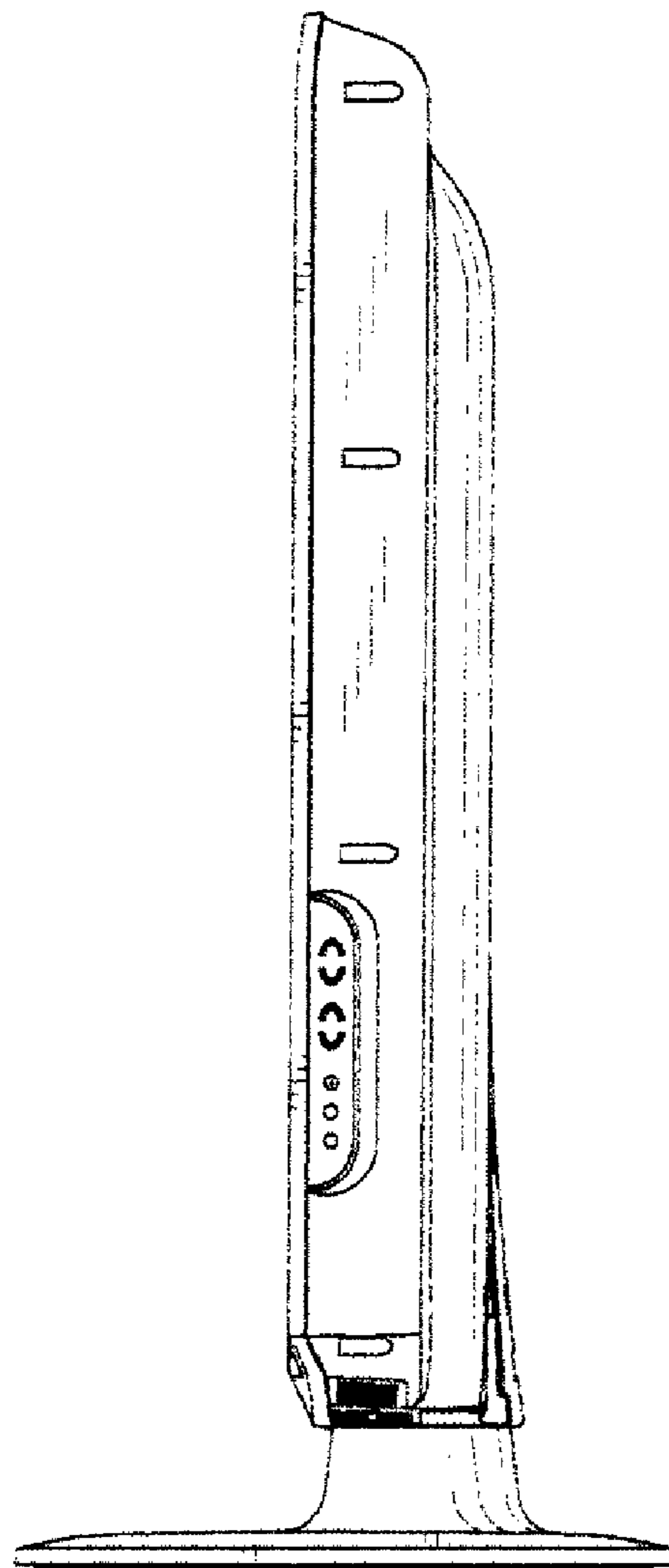


FIG. 6

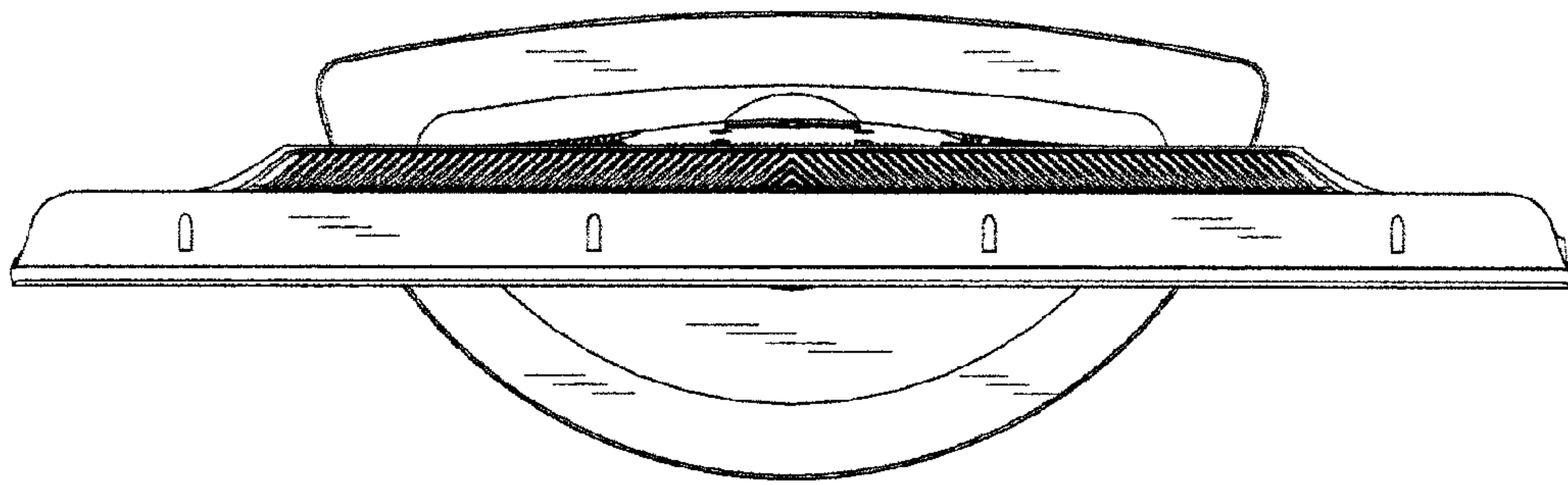


FIG. 7

