



US00D595294S

(12) **United States Design Patent**  
**Woodward et al.**

(10) **Patent No.:** **US D595,294 S**  
(45) **Date of Patent:** **\*\* Jun. 30, 2009**

(54) **SUSPENDED MONITOR SYSTEM**

(76) Inventors: **Robert Woodward**, 1149 E. 900 South,  
Salem, UT (US) 84653; **Creed Larsen**,  
159 S. Pleasant Grove Blvd., #19,  
Pleasant Grove, UT (US) 84062

(\*\*) Term: **14 Years**

(21) Appl. No.: **29/286,029**

(22) Filed: **Apr. 20, 2007**

(51) **LOC (9) Cl.** ..... **14-02**

(52) **U.S. Cl.** ..... **D14/373**

(58) **Field of Classification Search** ..... D14/448,  
D14/450, 451, 452, 439, 447, 432, 371, 373,  
D14/374, 375, 127, 217, 239, 251, 900, 901,  
D14/902, 125, 126; D8/363, 380, 373; 248/133,  
248/139, 398, 176.1, 274.1, 284.1, 313, 346.03,  
248/917, 918, 919, 920, 921, 922, 923, 924,  
248/201, 205.1, 220.21, 223.31, 276.1, 281.11,  
248/286.1, 309.1, 323, 324, 349.1, 371, 425;  
348/825; 345/1.1, 1.3; 361/681

See application file for complete search history.

(56) **References Cited**

**U.S. PATENT DOCUMENTS**

D213,592 S *	3/1969	Anders	.....	D14/127
D337,103 S *	7/1993	Harper	.....	D14/373
D395,298 S *	6/1998	Rosen	.....	D14/127
D396,862 S *	8/1998	Morgan	.....	D14/225
RE36,978 E *	12/2000	Moscovitch	.....	248/122.1
6,222,507 B1 *	4/2001	Gouko	.....	345/1.1
D497,167 S *	10/2004	Ozolins et al.	.....	D14/375
7,267,314 B1 *	9/2007	Erickson	.....	248/333
D563,700 S *	3/2008	Walters et al.	.....	D6/513
2002/0194792 A1 *	12/2002	Feldpausch et al.	.....	52/36.1
2006/0238967 A1 *	10/2006	Carson et al.	.....	361/681
2007/0138356 A1 *	6/2007	Johansson et al.	.....	248/125.1
2007/0139298 A1 *	6/2007	Sakaniwa	.....	345/1.3

\* cited by examiner

*Primary Examiner*—Jennifer Rivard  
*Assistant Examiner*—Angela J Lee

(74) *Attorney, Agent, or Firm*—Jones Waldo Holbrook &  
McDonough, PC

(57) **CLAIM**

The ornamental design for a suspended monitor system, as  
shown and described.

**DESCRIPTION**

FIG. 1 is a front view of the suspended monitor system  
according to one embodiment of the present invention;

FIG. 2 is a side view thereof;

FIG. 3 is another side view thereof;

FIG. 4 is a rear view thereof;

FIG. 5 is a bottom view thereof;

FIG. 6 is a top view thereof;

FIG. 7 is a perspective view thereof;

FIG. 8 is a front view of the suspended monitor system  
according to a second embodiment of the present invention;

FIG. 9 is a side view thereof;

FIG. 10 is another side view thereof;

FIG. 11 is a rear view thereof;

FIG. 12 is a bottom view thereof;

FIG. 13 is a top view thereof;

FIG. 14 is a perspective view thereof;

FIG. 15 is a front view of the suspended monitor system  
according to a third embodiment of the present invention;

FIG. 16 is a side view thereof;

FIG. 17 is another side view thereof;

FIG. 18 is a rear view thereof;

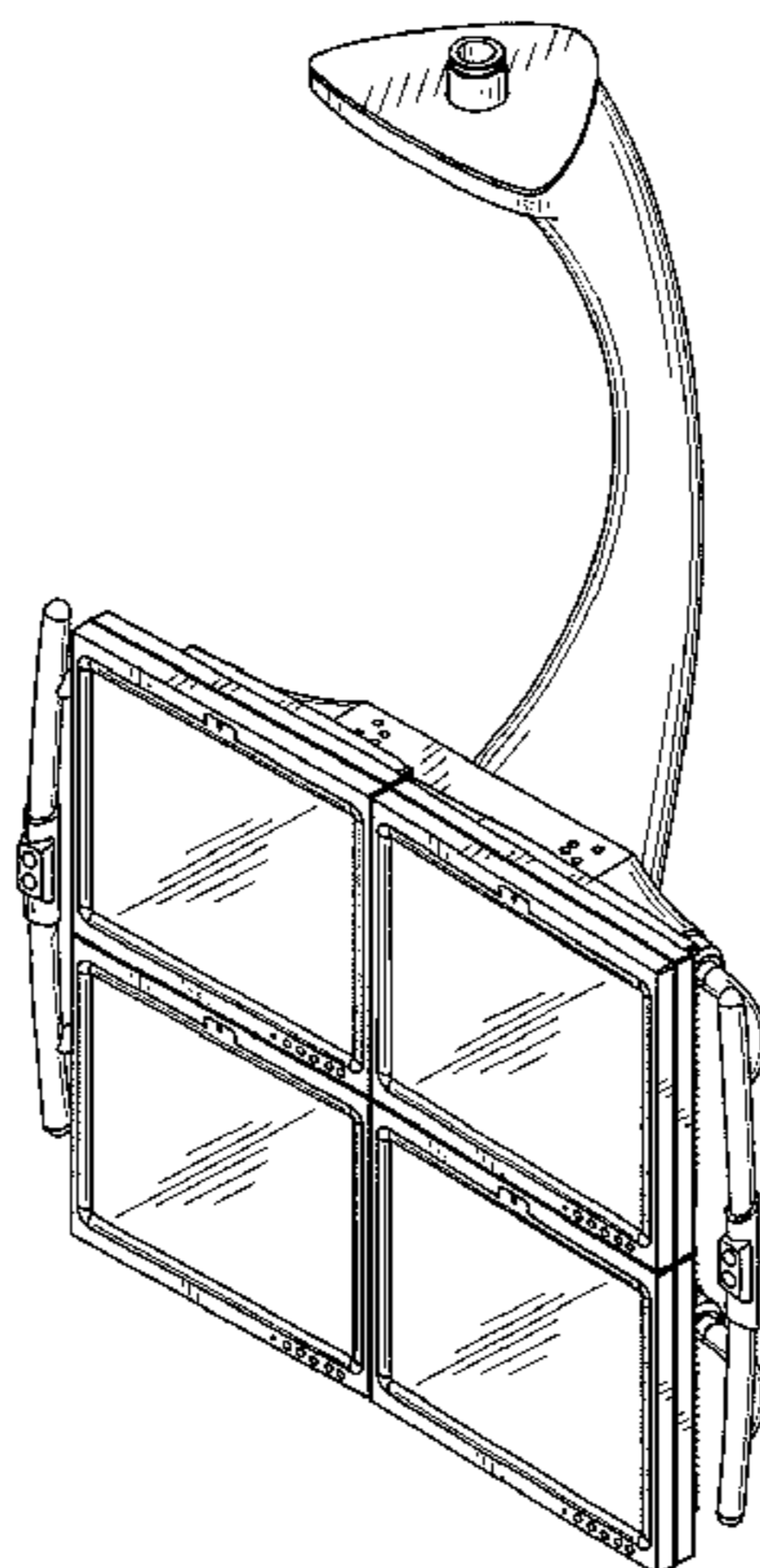
FIG. 19 is a bottom view thereof;

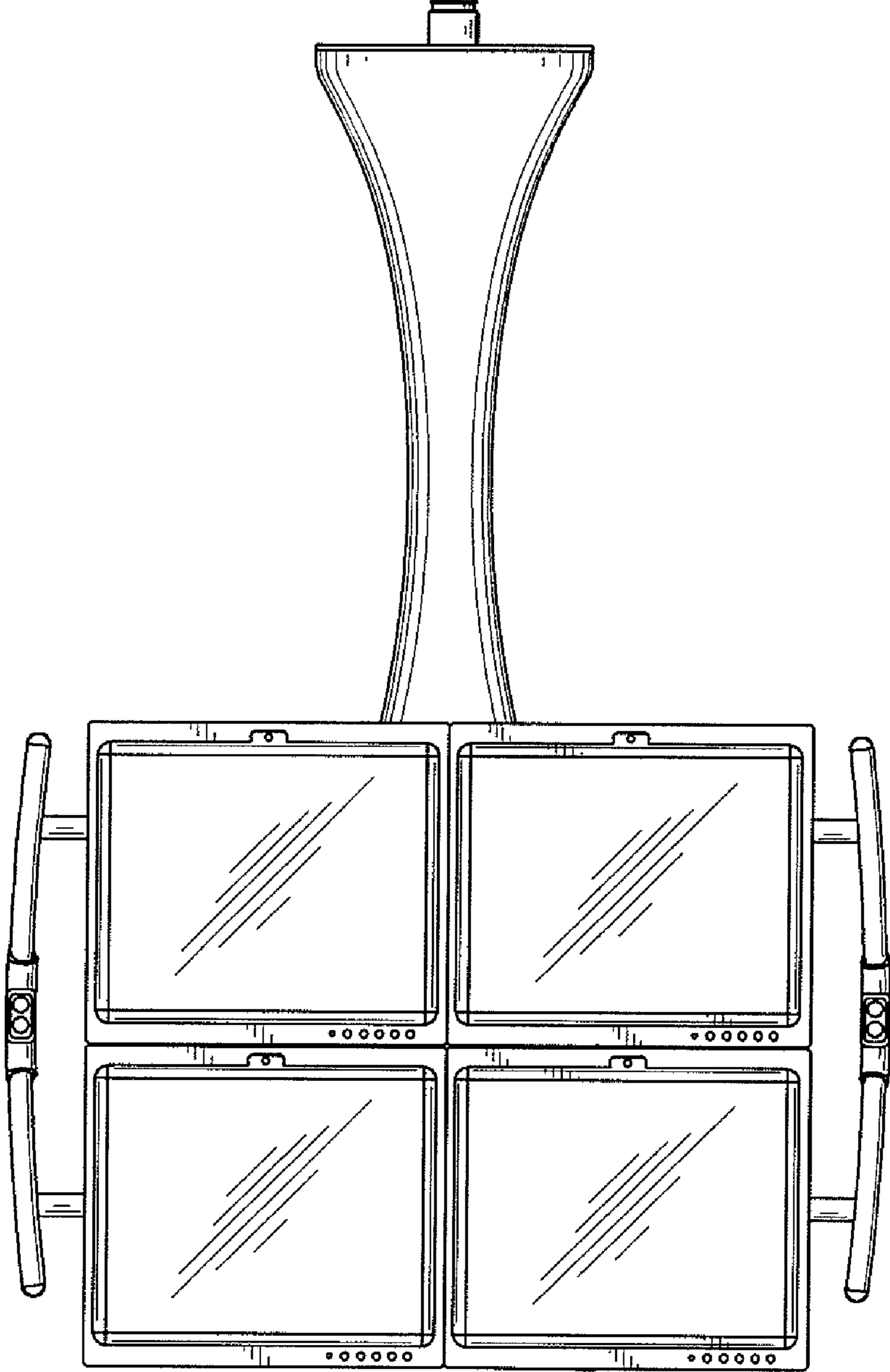
FIG. 20 is a top view thereof; and,

FIG. 21 is a perspective view thereof.

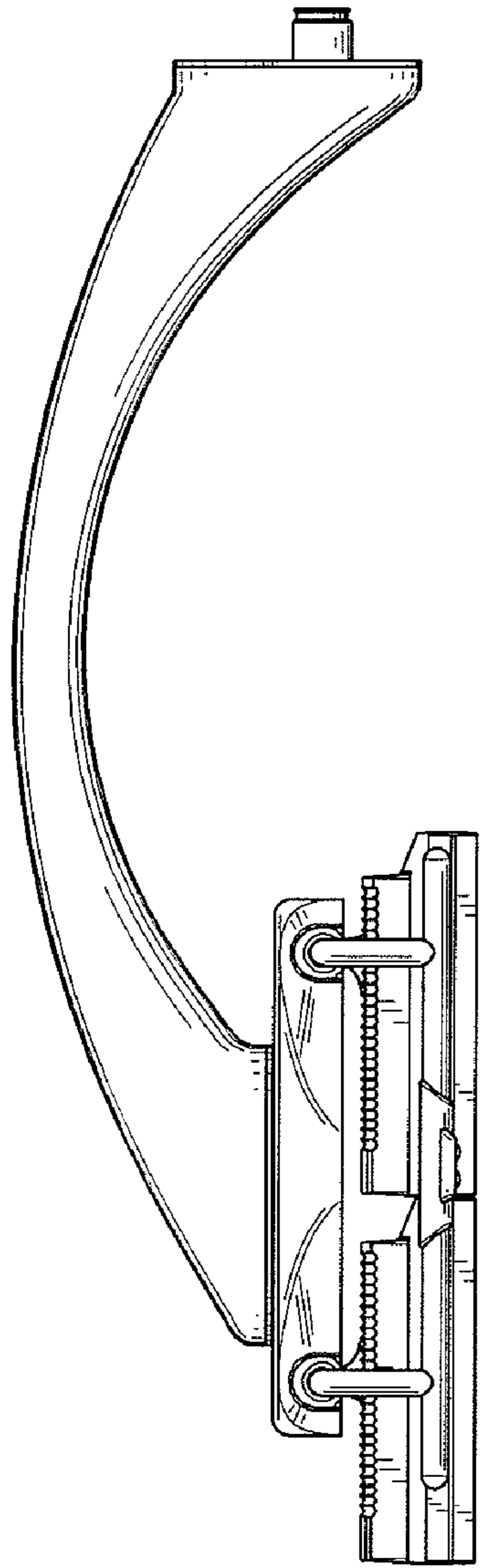
The broken line showing of portions of the suspended moni-  
tor system forms no part of the claimed design.

**1 Claim, 15 Drawing Sheets**

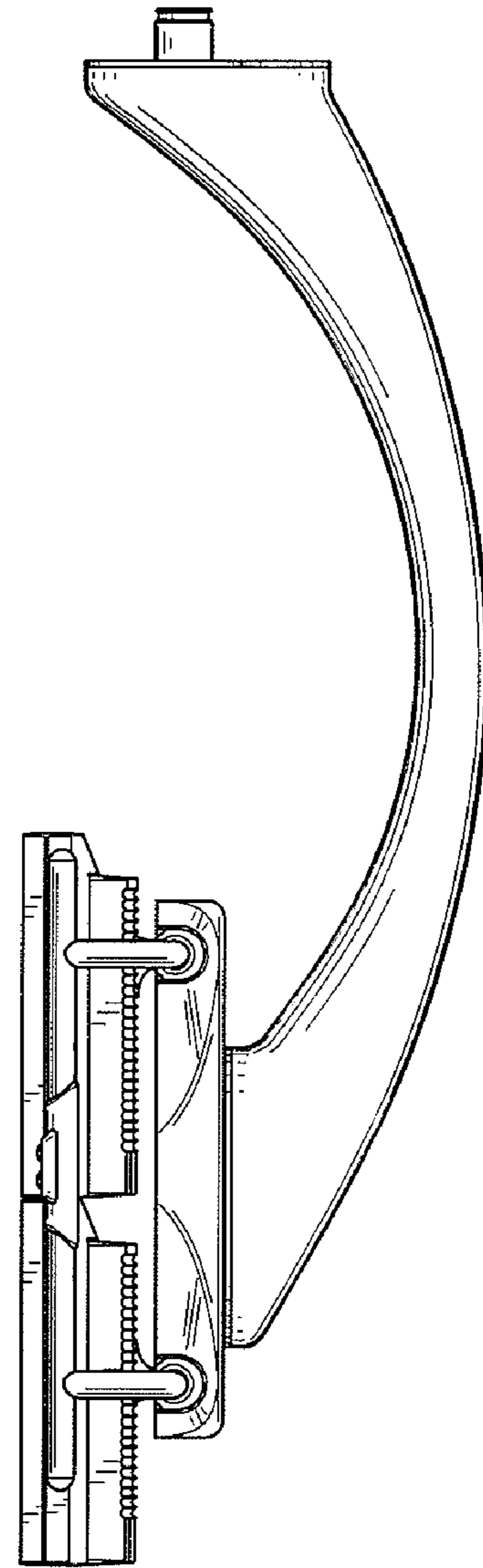




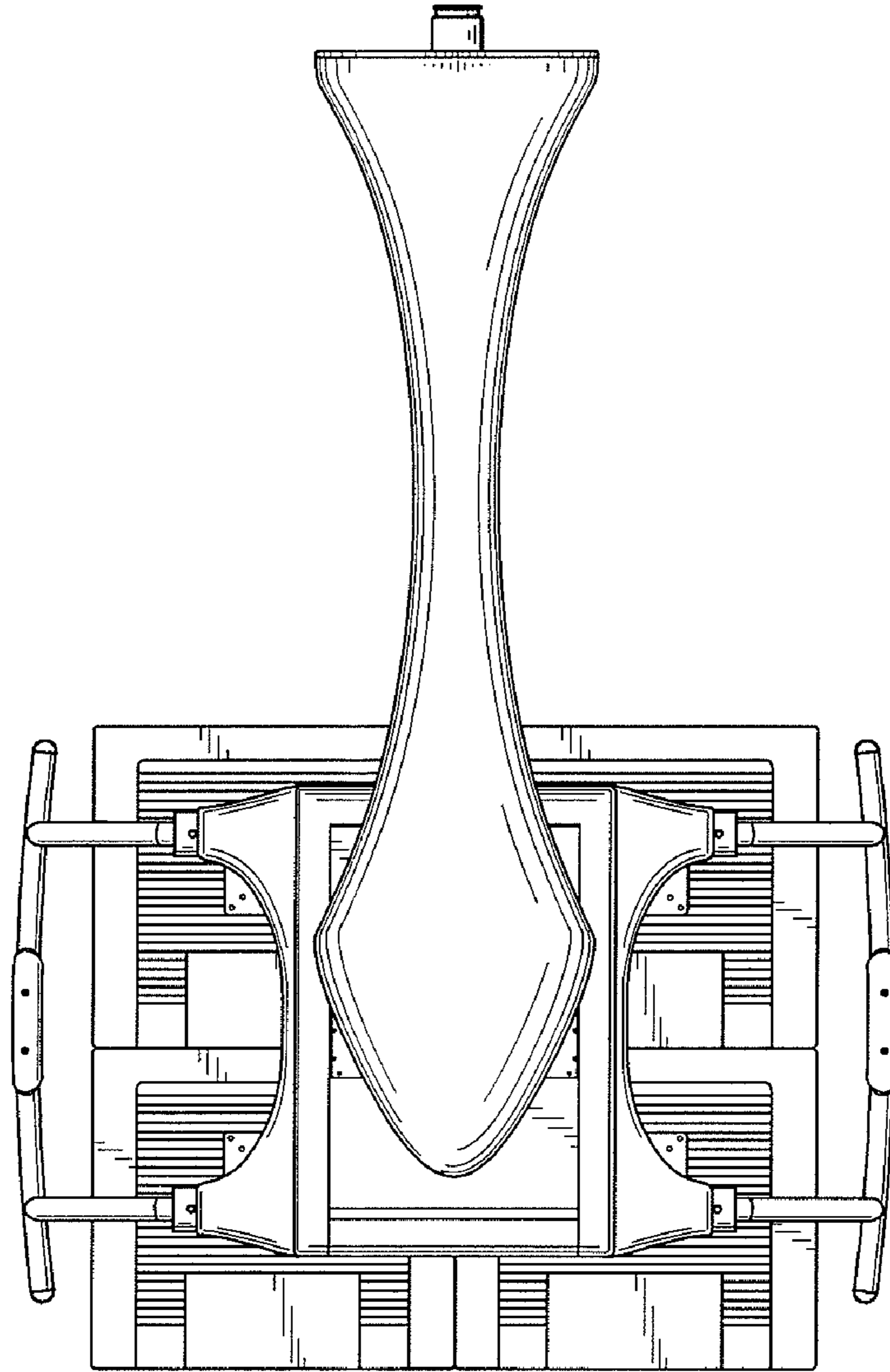
**FIG. 1**



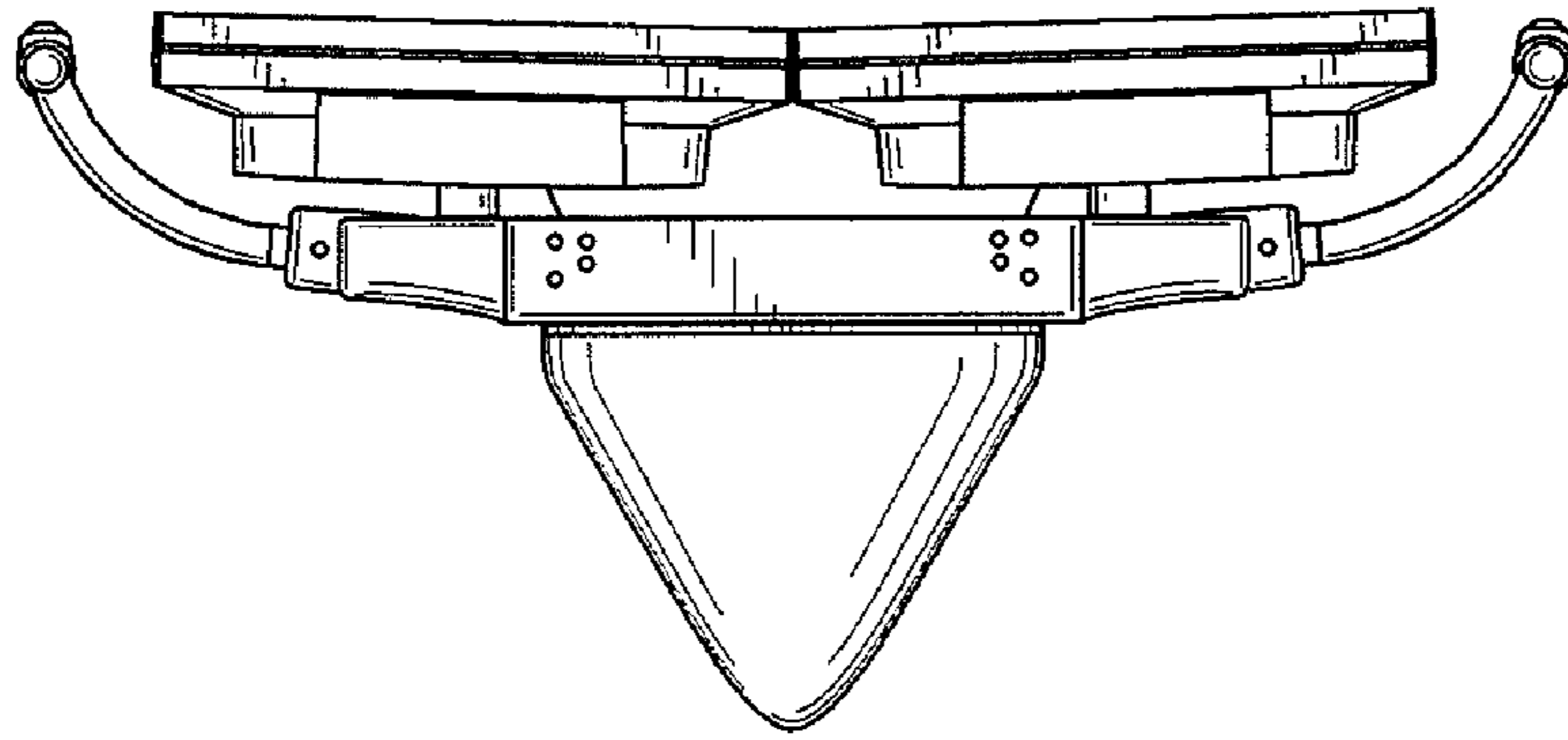
**FIG. 2**



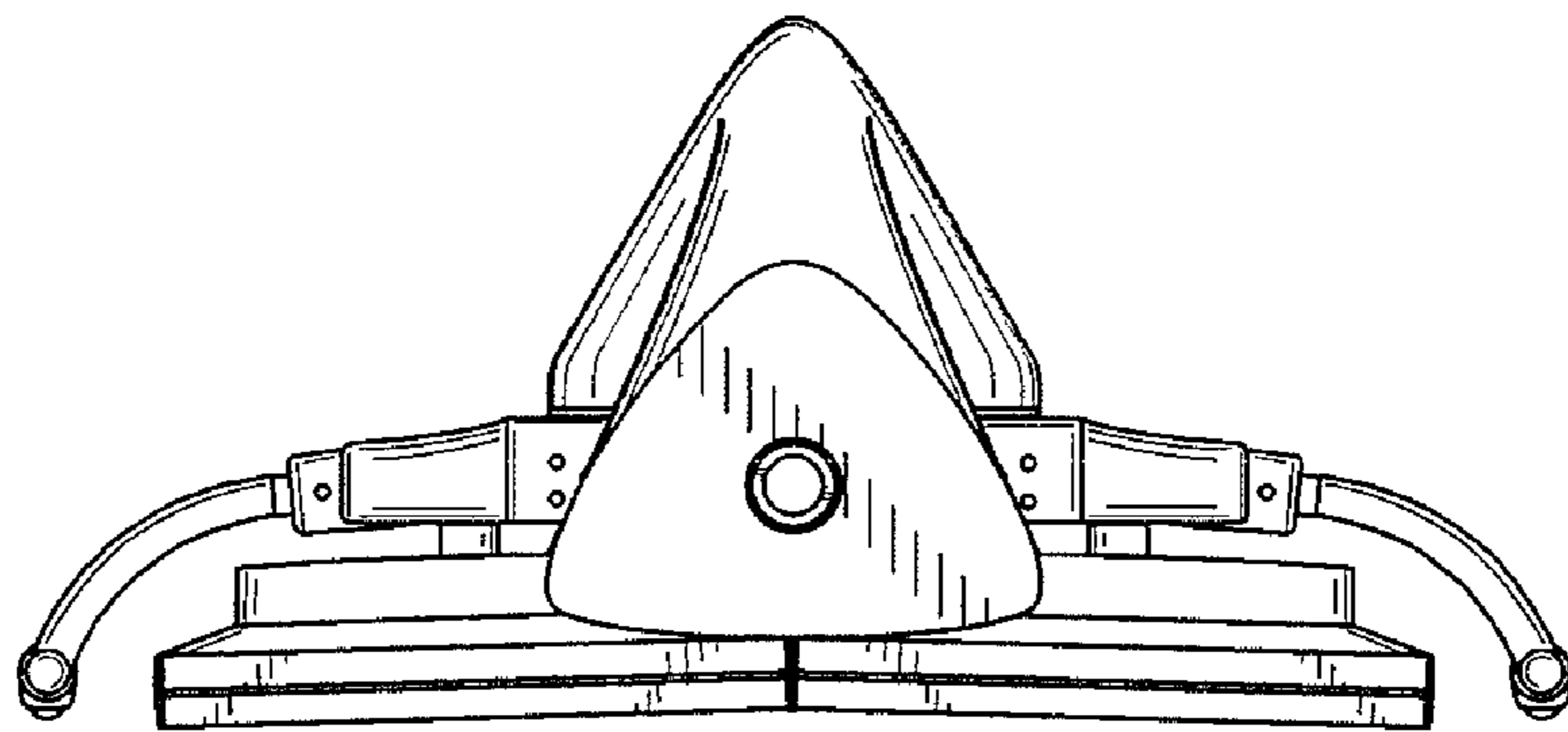
**FIG. 3**



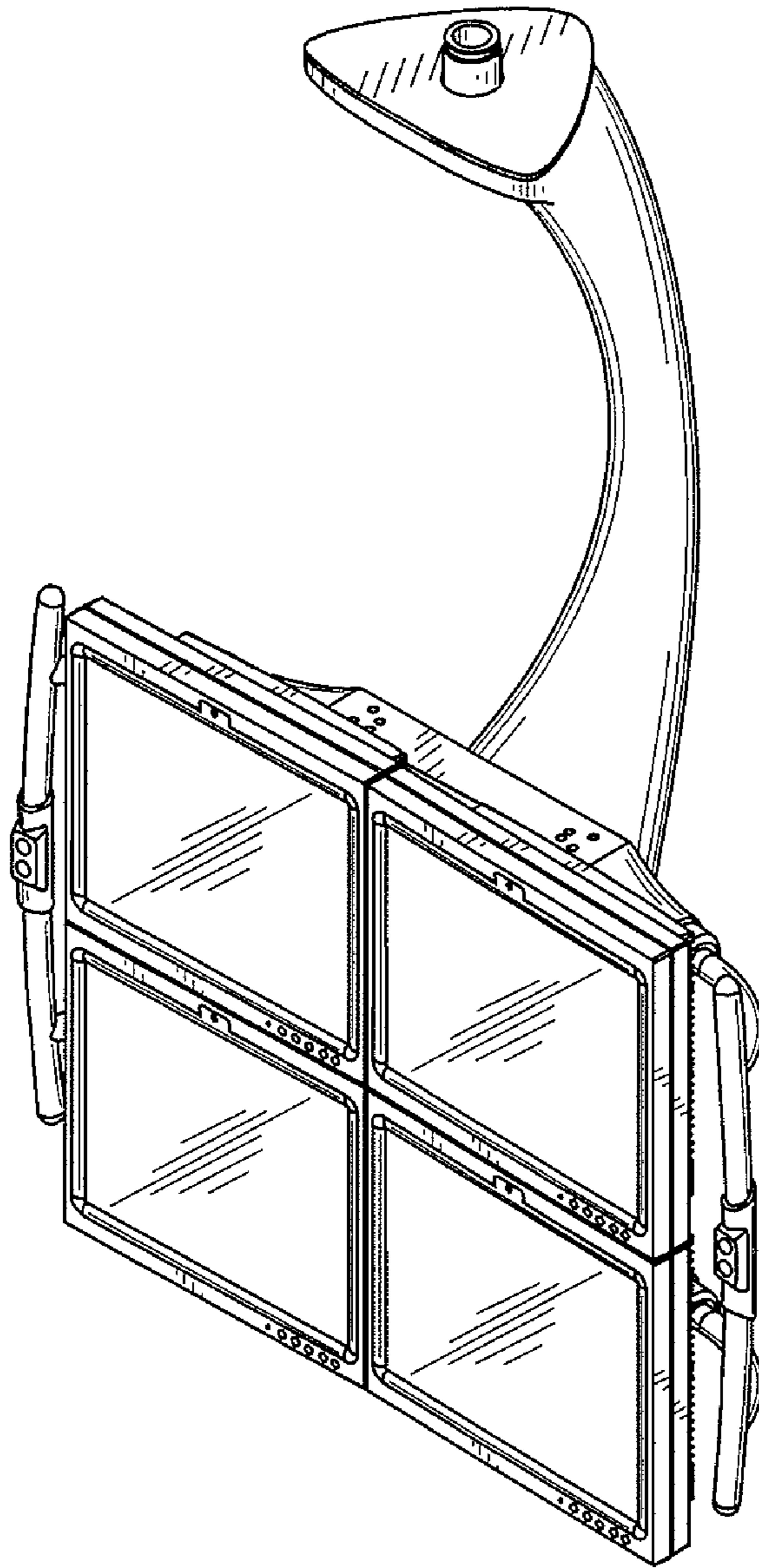
**FIG. 4**



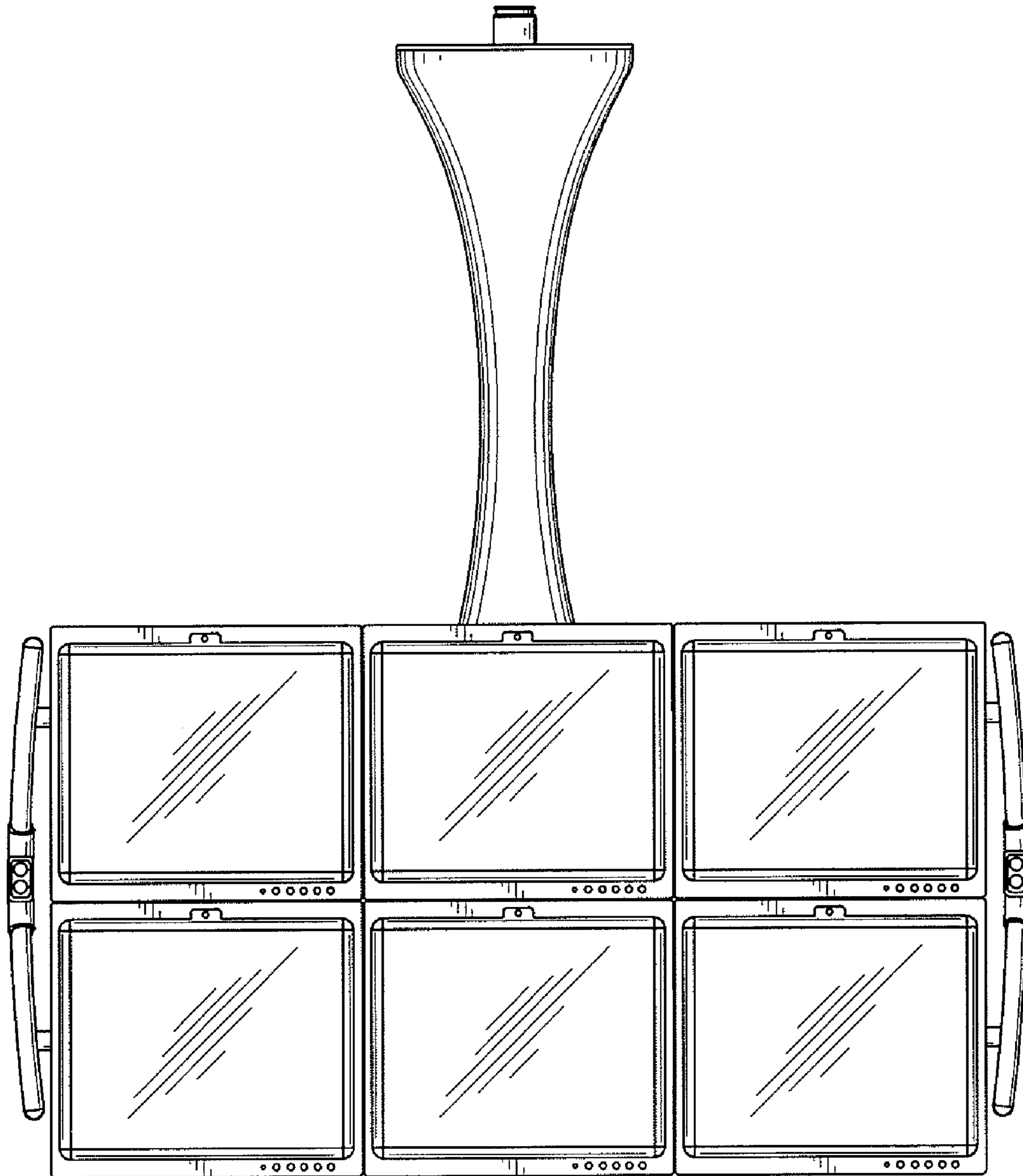
**FIG. 5**



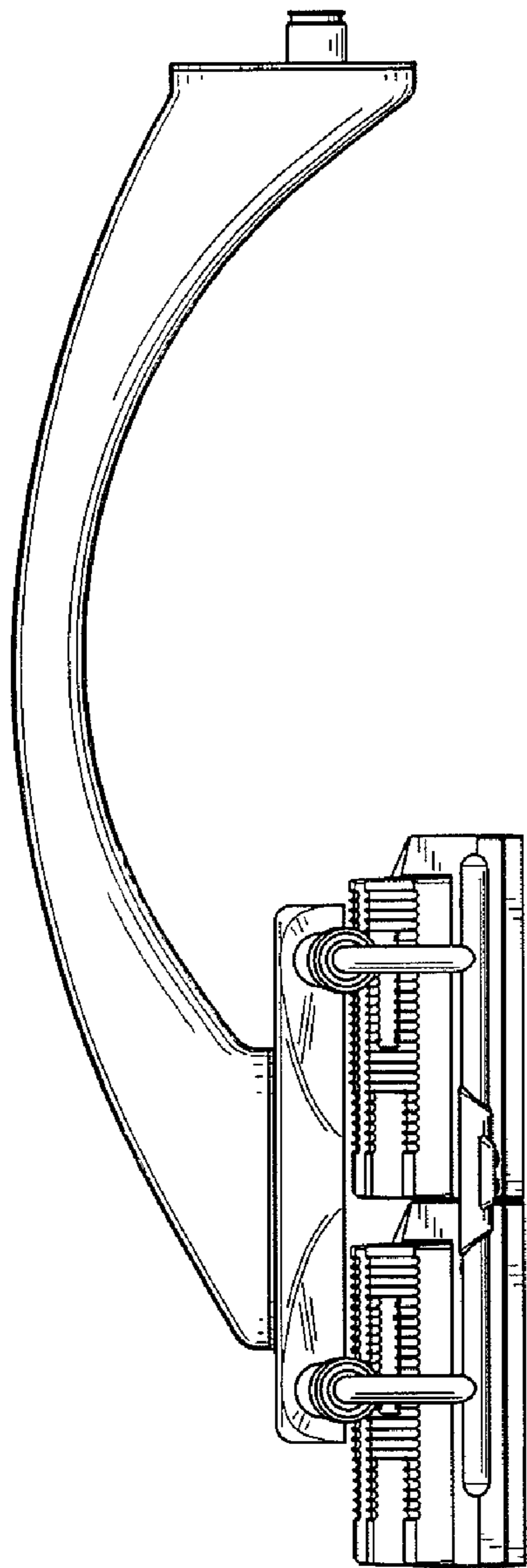
**FIG. 6**



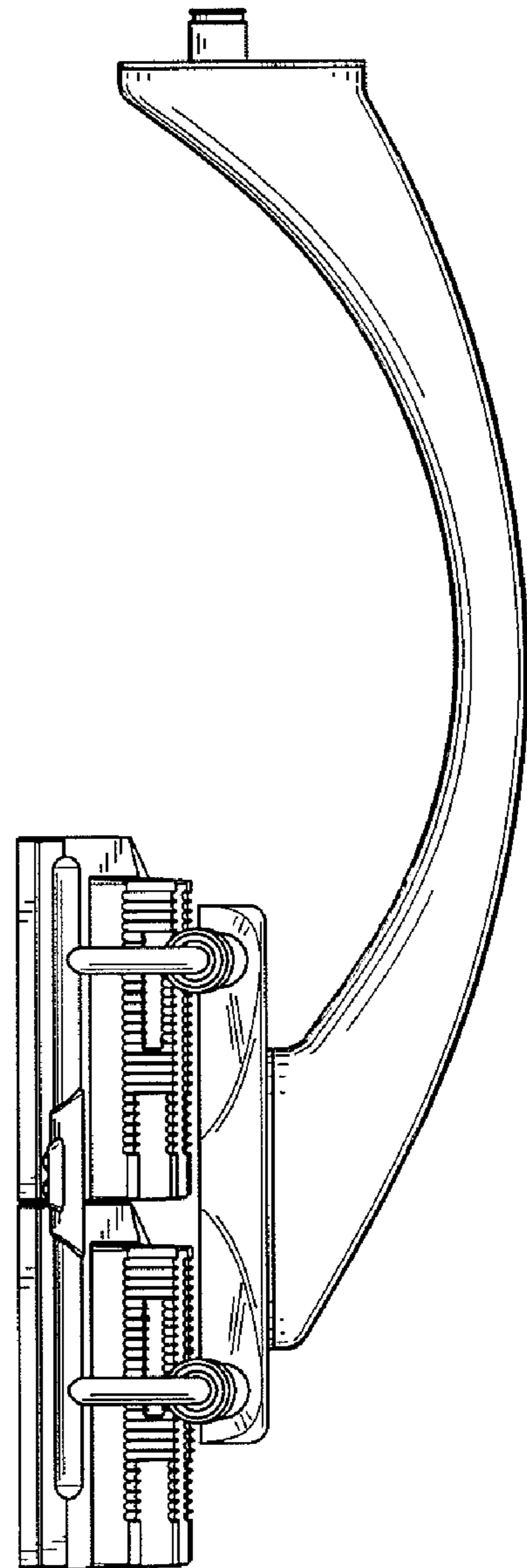
**FIG. 7**



**FIG. 8**

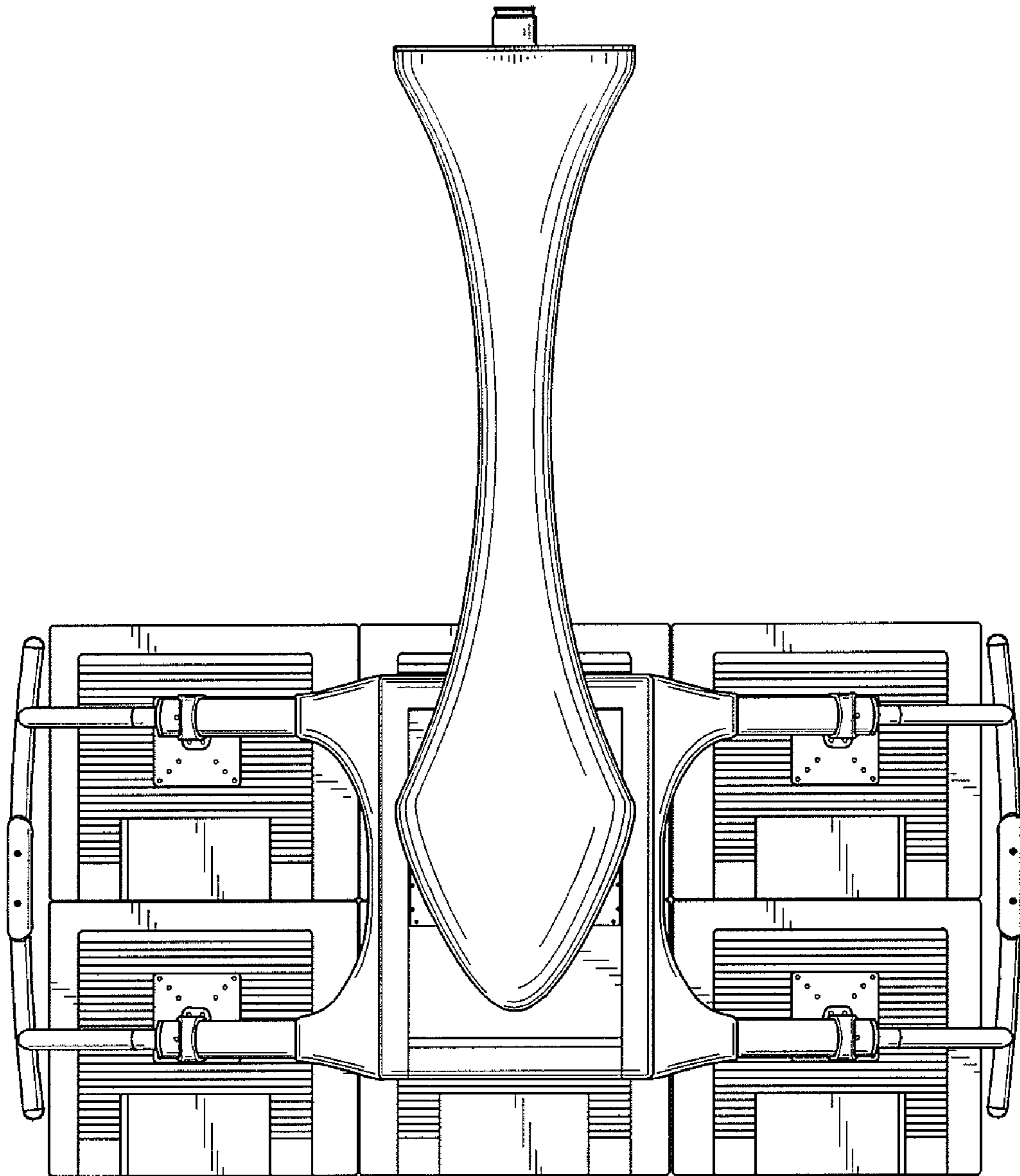


**FIG. 9**

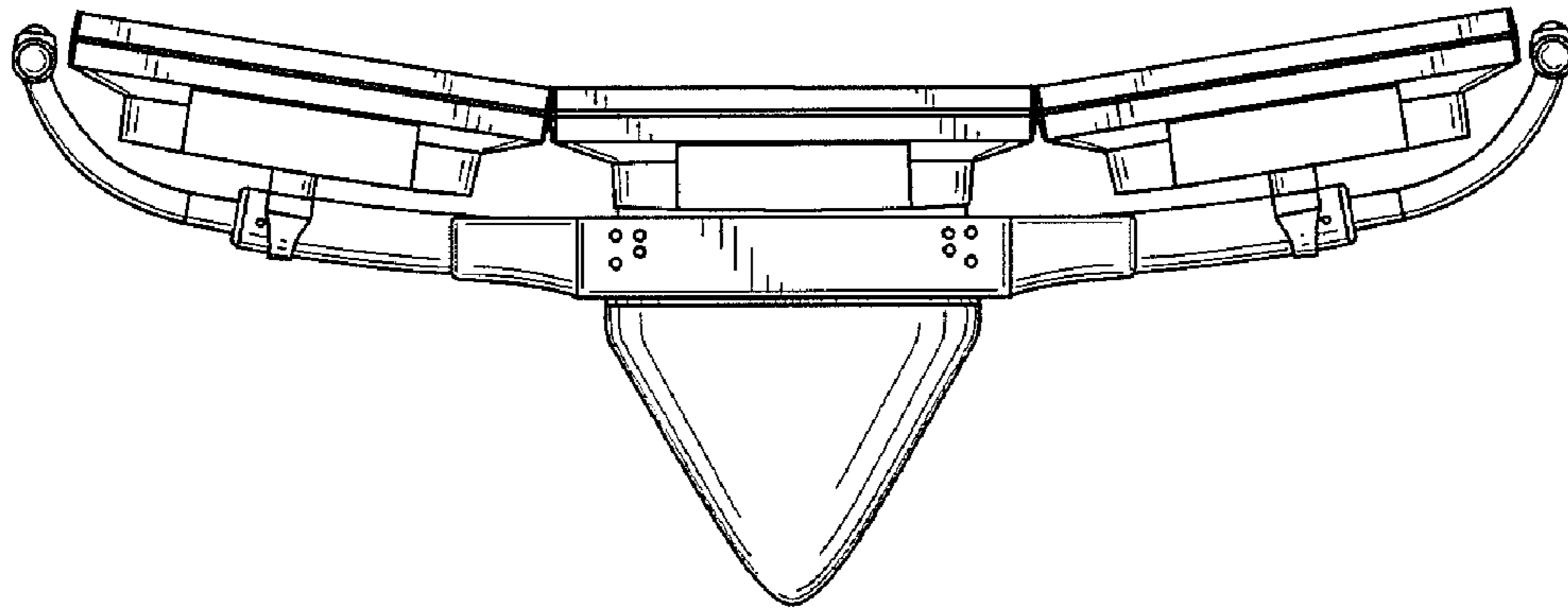


**FIG. 10**

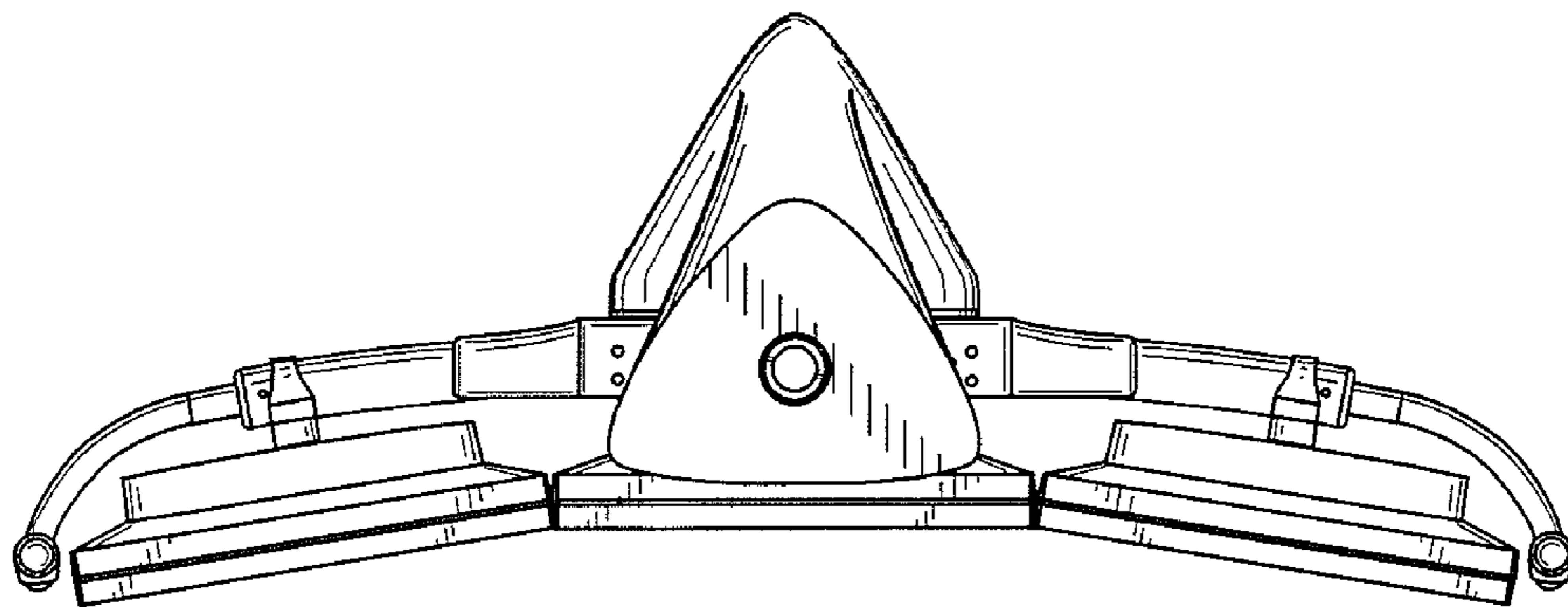




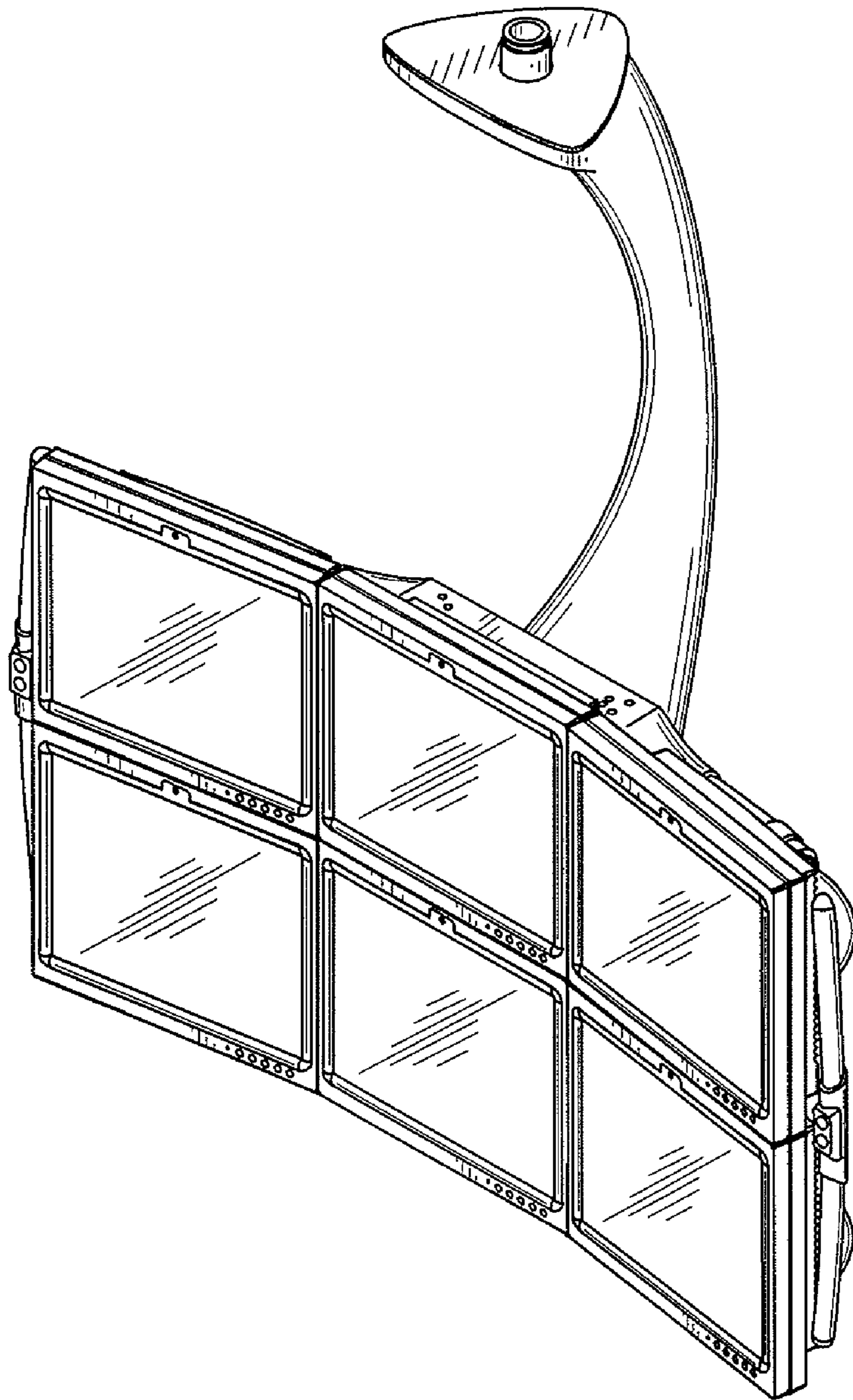
**FIG. 11**



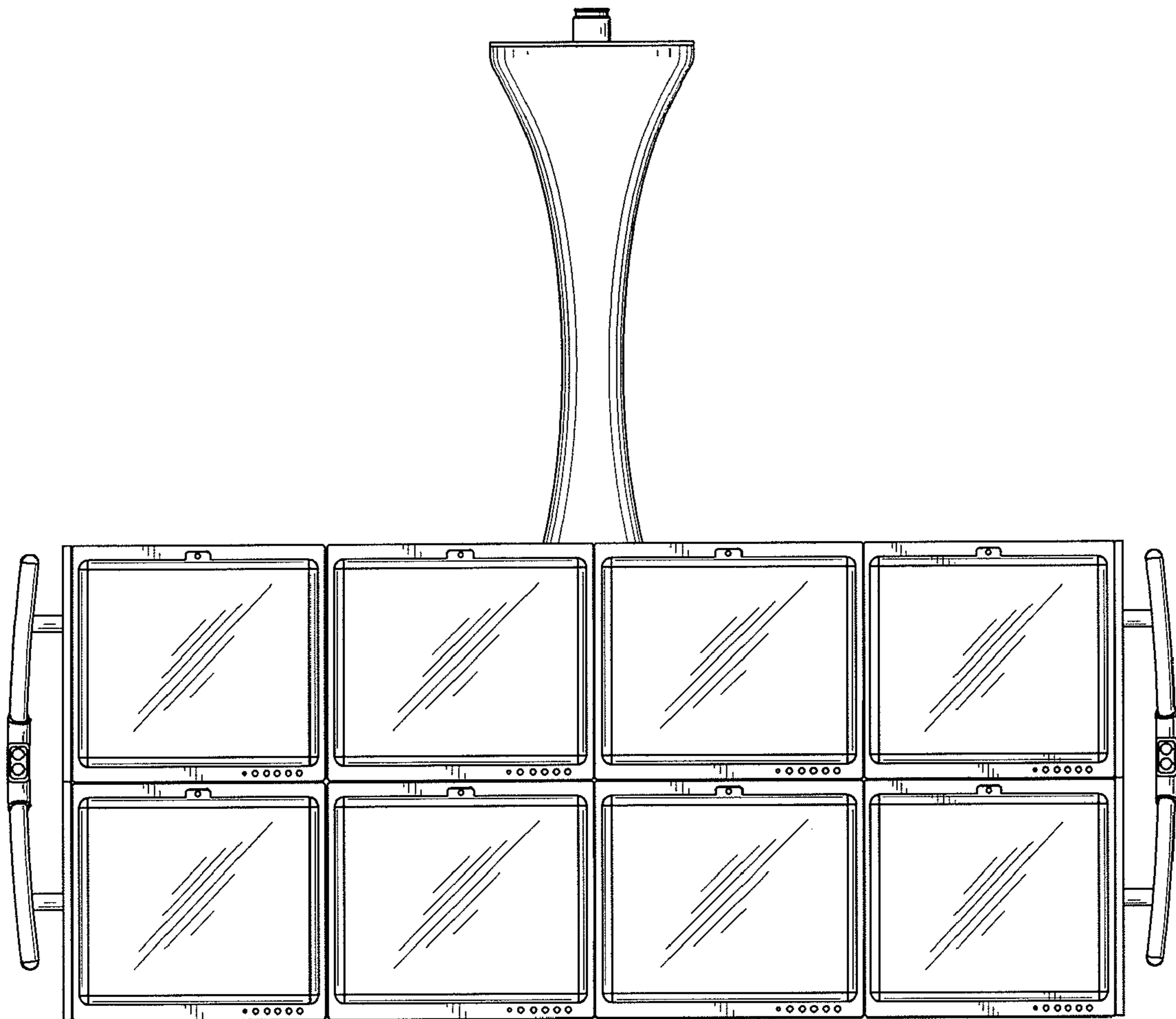
**FIG. 12**



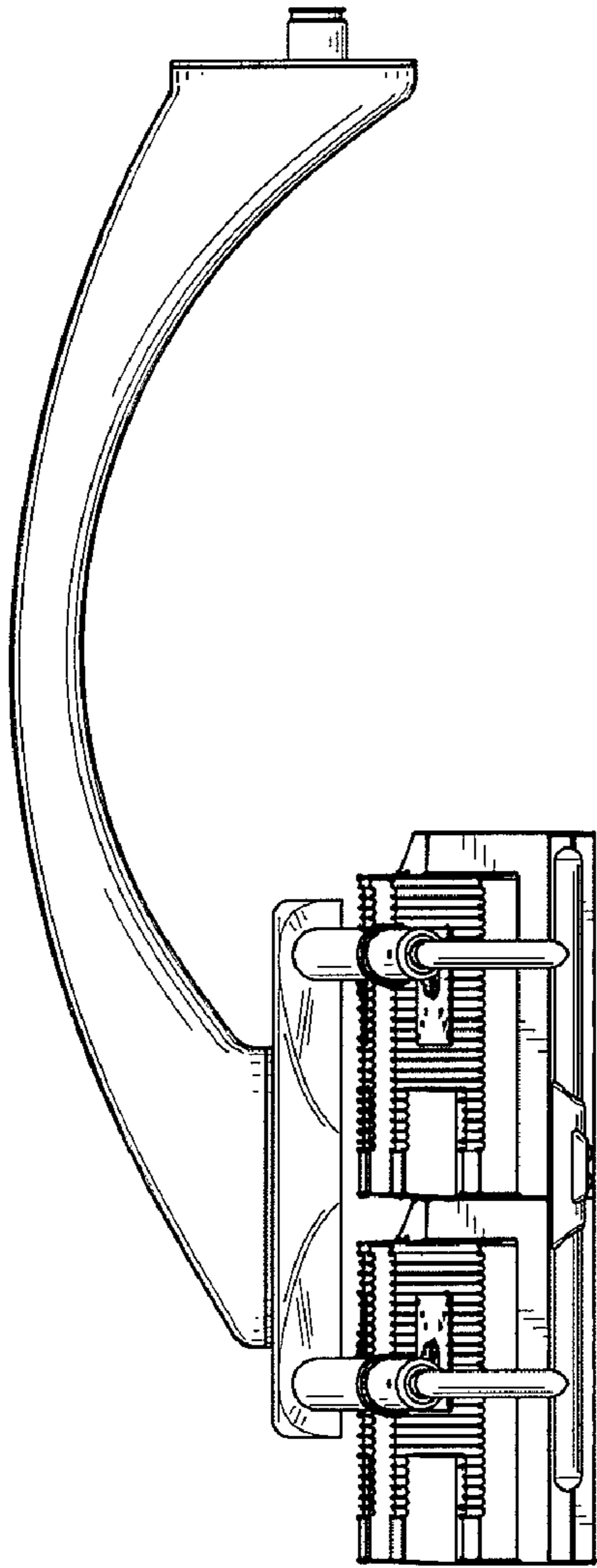
**FIG. 13**



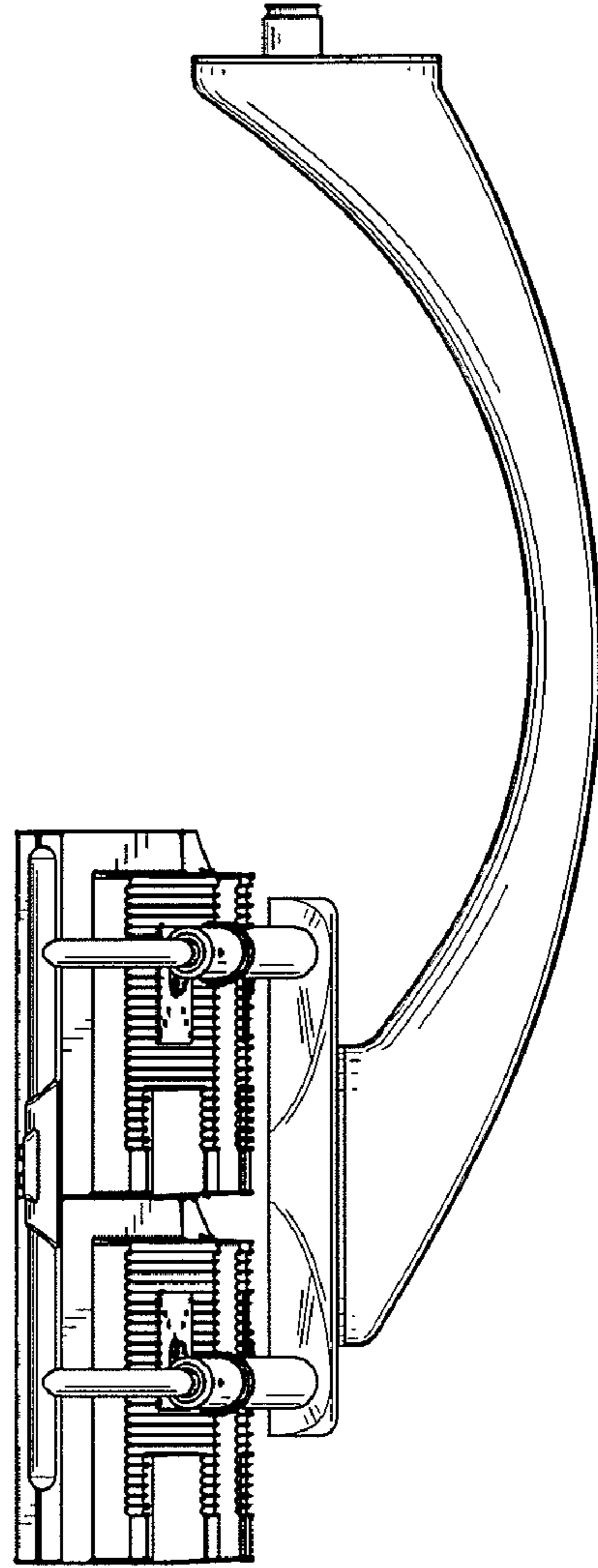
**FIG. 14**



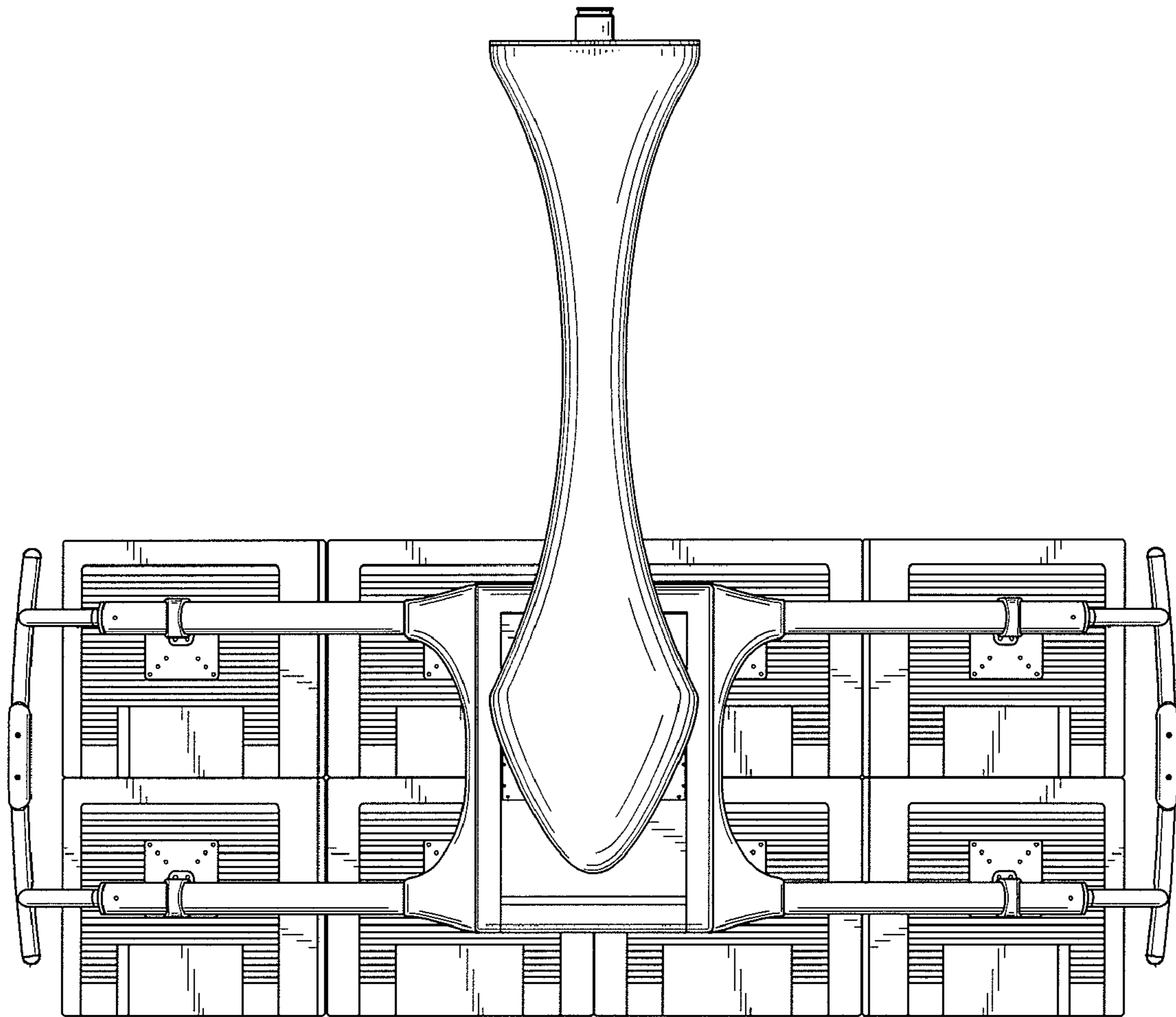
**FIG. 15**



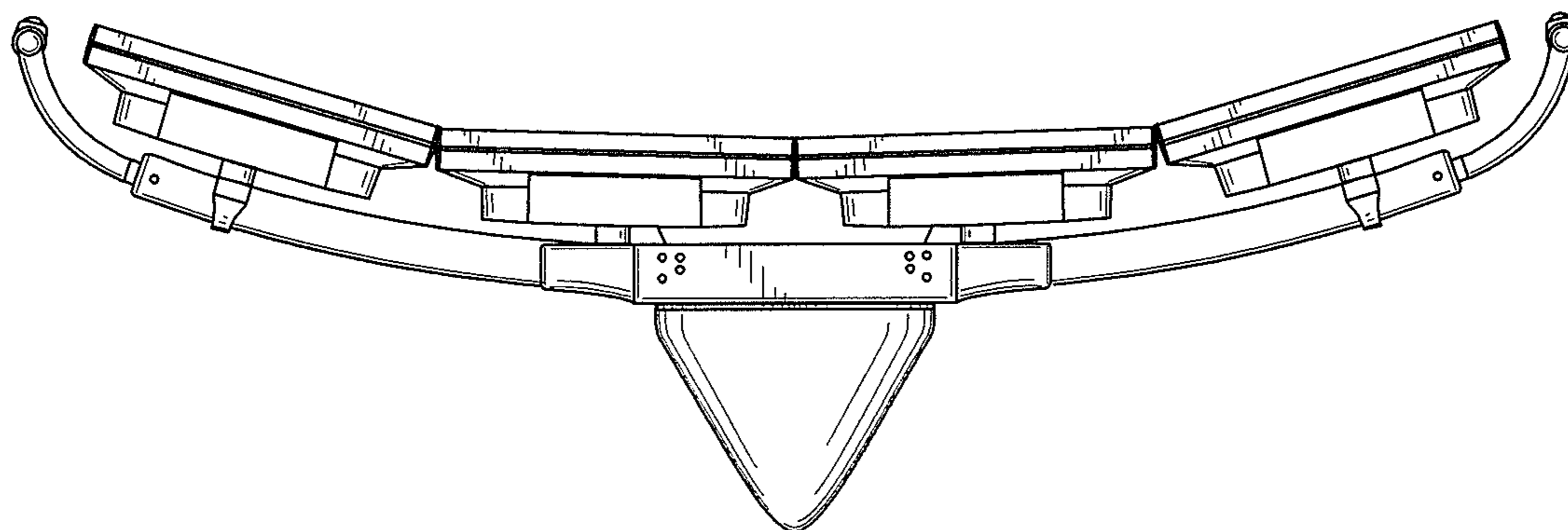
**FIG. 16**



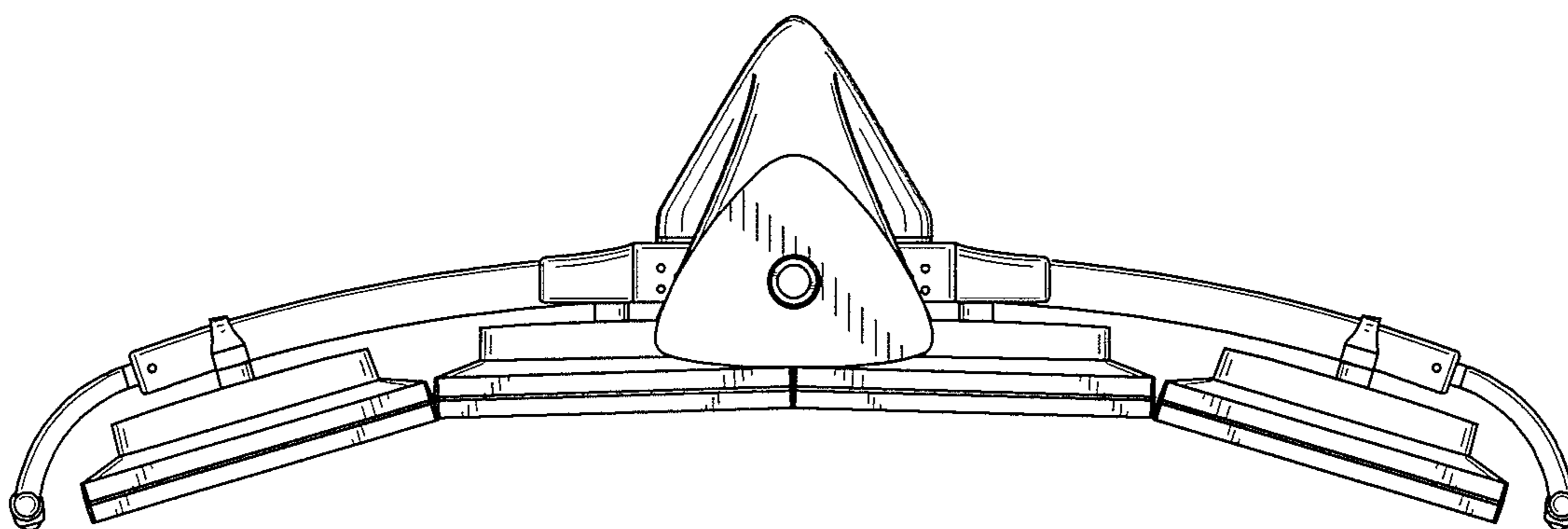
**FIG. 17**



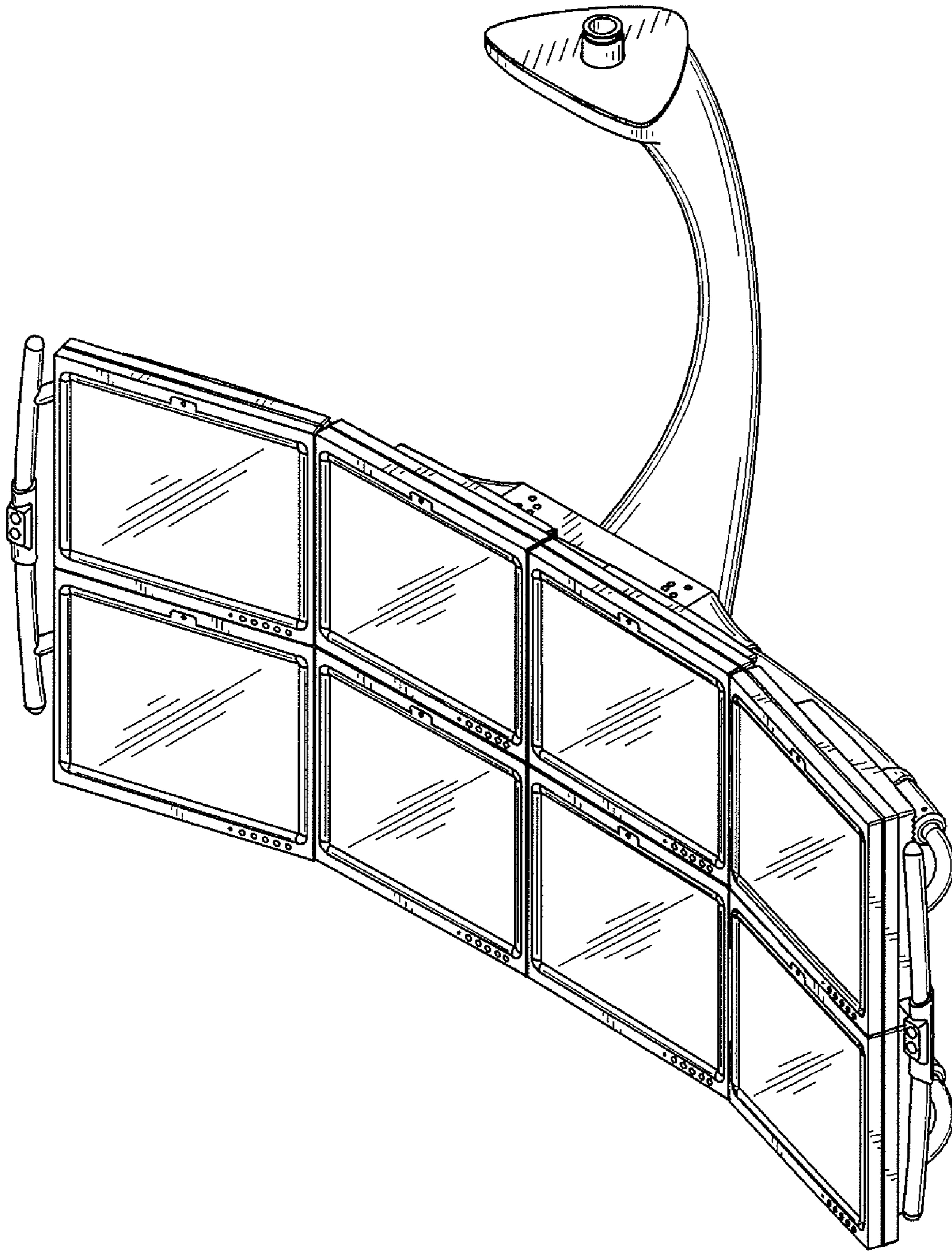
**FIG. 18**



**FIG. 19**



**FIG. 20**



**FIG. 21**