



US00D595288S

(12) **United States Design Patent**
Roach et al.

(10) **Patent No.:** **US D595,288 S**
(45) **Date of Patent:** **** Jun. 30, 2009**

(54) **CELLULAR TELEPHONE COMPANION WITH DISPLAY AND KEYBOARD**

(75) Inventors: **Leonard B. Roach**, South Jordan, UT (US); **David Kirt Bailey**, Farmington, UT (US); **Colin N. B. Cook**, Riverton, UT (US); **Brad Warnock**, Spanish Fork, UT (US)

(73) Assignee: **Celio Technology Corporation**, Salt Lake City, UT (US)

(**) Term: **14 Years**

(21) Appl. No.: **29/320,141**

(22) Filed: **Jun. 20, 2008**

(51) **LOC (9) Cl.** **14-02**
(52) **U.S. Cl.** **D14/315; D14/345; D14/346**
(58) **Field of Classification Search** D14/315-328, D14/130, 138, 144, 149, 191; D18/1, 2, D18/7, 11; 235/145 A, 145 R; 341/22, 23; 455/566, 90.3; 345/168, 169, 173, 87, 901-905; 361/680-686, 679.27, 679.56; 715/783
See application file for complete search history.

(56) **References Cited**

U.S. PATENT DOCUMENTS

D323,156 S * 1/1992 Nishida D14/322
D363,069 S * 10/1995 Bro D14/191
D379,181 S * 5/1997 Sawano et al. D14/191
D410,229 S * 5/1999 Chiocchi D14/331
D425,053 S * 5/2000 Clark et al. D14/130
6,067,224 A * 5/2000 Nobuchi 361/679.27
6,121,958 A * 9/2000 Clark et al. 345/168
6,166,737 A * 12/2000 Lee et al. 715/83
D440,959 S * 4/2001 Wolf et al. D14/191

D463,797 S * 10/2002 Andre et al. D14/327
D469,072 S * 1/2003 Dickinson D14/149
D512,055 S * 11/2005 Yeh et al. D14/318
D520,983 S * 5/2006 Siebke D14/144
7,050,767 B2 * 5/2006 Hickey et al. 455/90.3
7,068,499 B2 * 6/2006 Aisenberg 361/679.56
2002/0050981 A1 * 5/2002 Nuovo 345/169

* cited by examiner

Primary Examiner—Freda S Nunn

(74) *Attorney, Agent, or Firm*—Townsend and Townsend and Crew LLP; Kenneth R. Allen

(57) **CLAIM**

The ornamental design for cellular telephone companion with display and keyboard, as shown and described.

DESCRIPTION

The cellular telephone companion with display and keyboard is intended for use as an attachment to a cellular telephone that has a limited input/output capability.

FIG. 1 is a perspective view of a cellular telephone companion with display and keyboard showing our new design in an open position;

FIG. 2 is a top plan view thereof;

FIG. 3 is a front elevation view thereof;

FIG. 4 is a right side elevation view thereof;

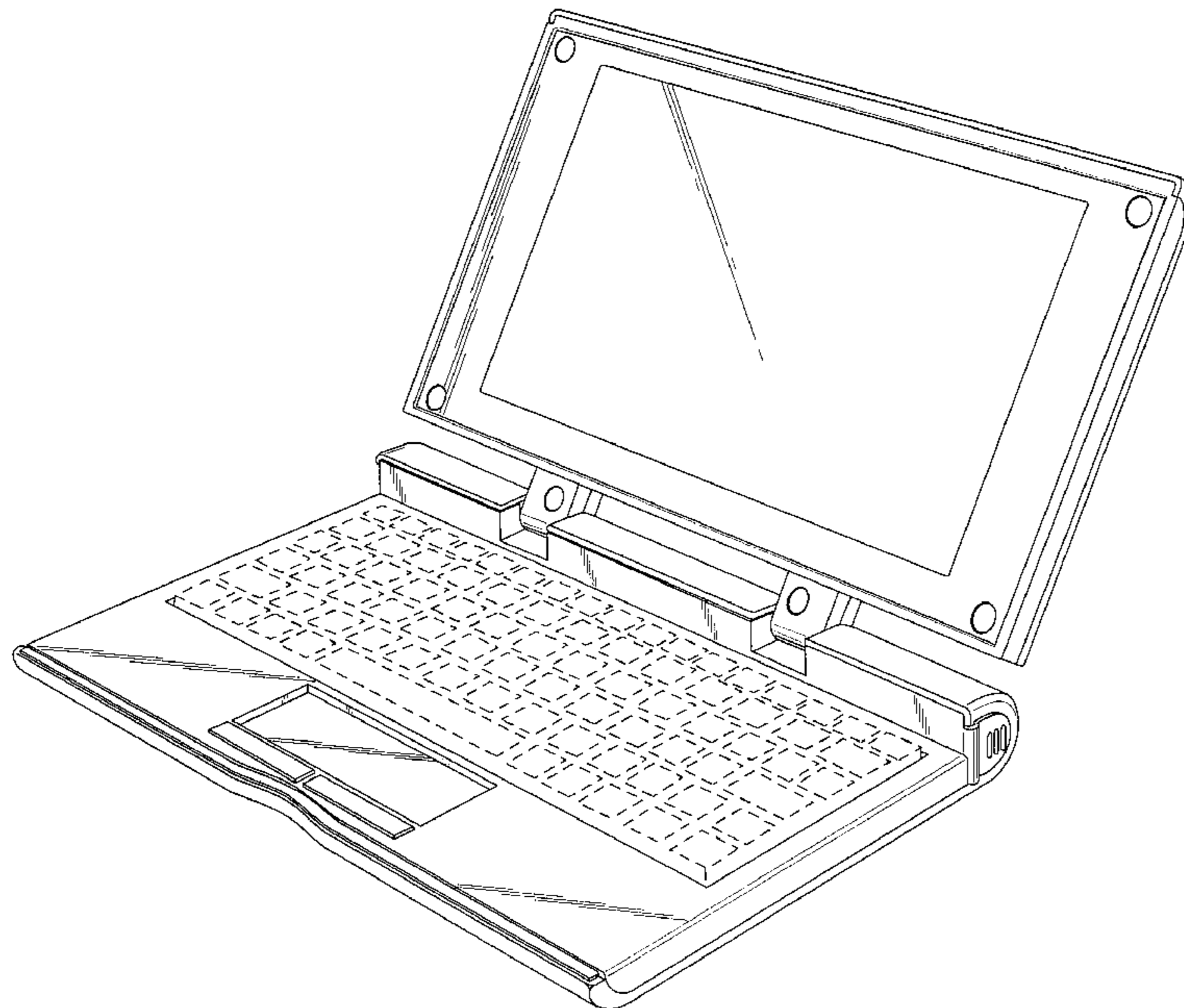
FIG. 5 is a rear elevation view thereof;

FIG. 6 is a left side elevation view thereof; and,

FIG. 7 is a bottom plan view thereof.

Broken lines shown in the drawings illustrate portions of the cellular telephone companion with display and keyboard and form no part of the claimed design.

1 Claim, 7 Drawing Sheets



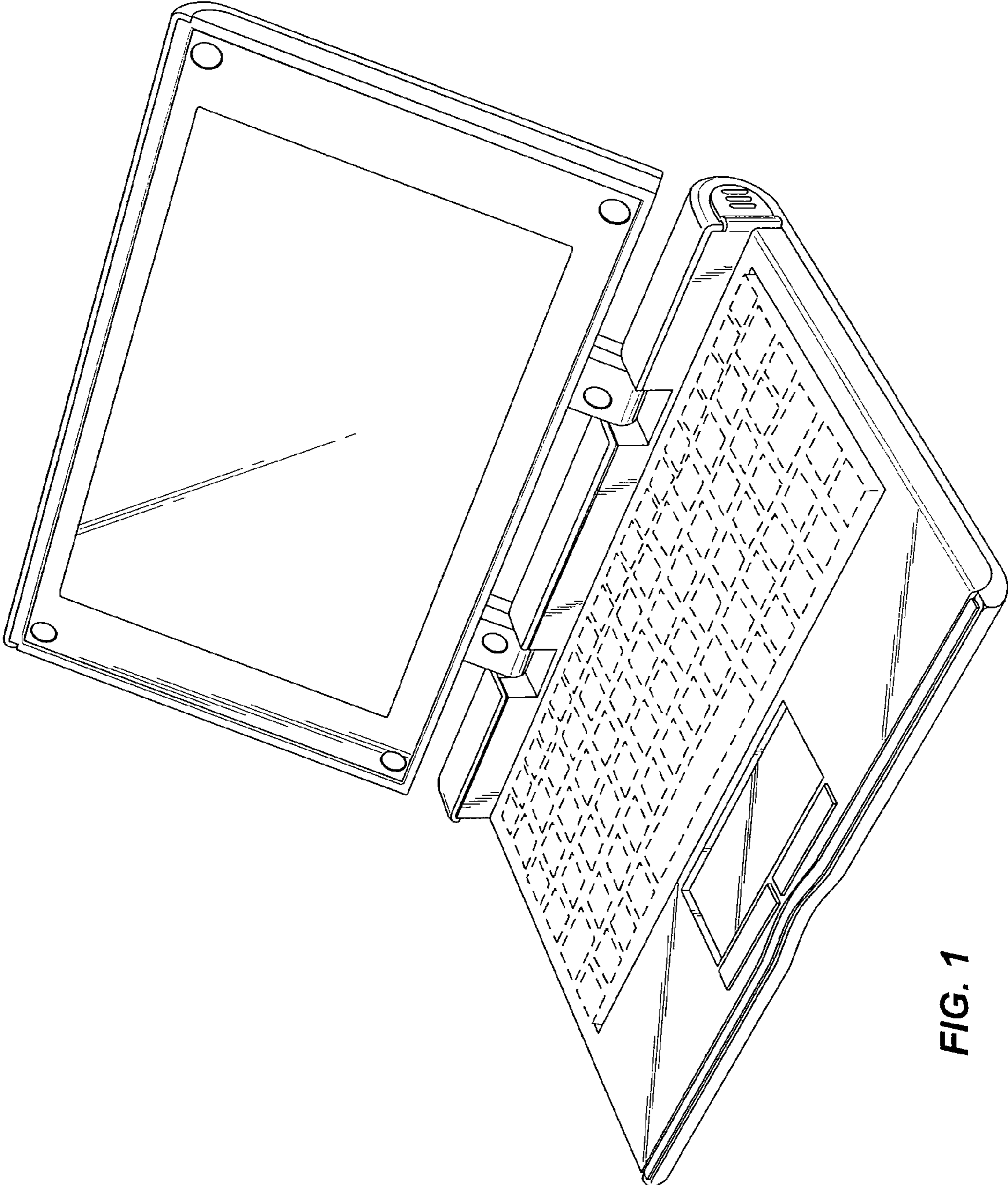


FIG. 1

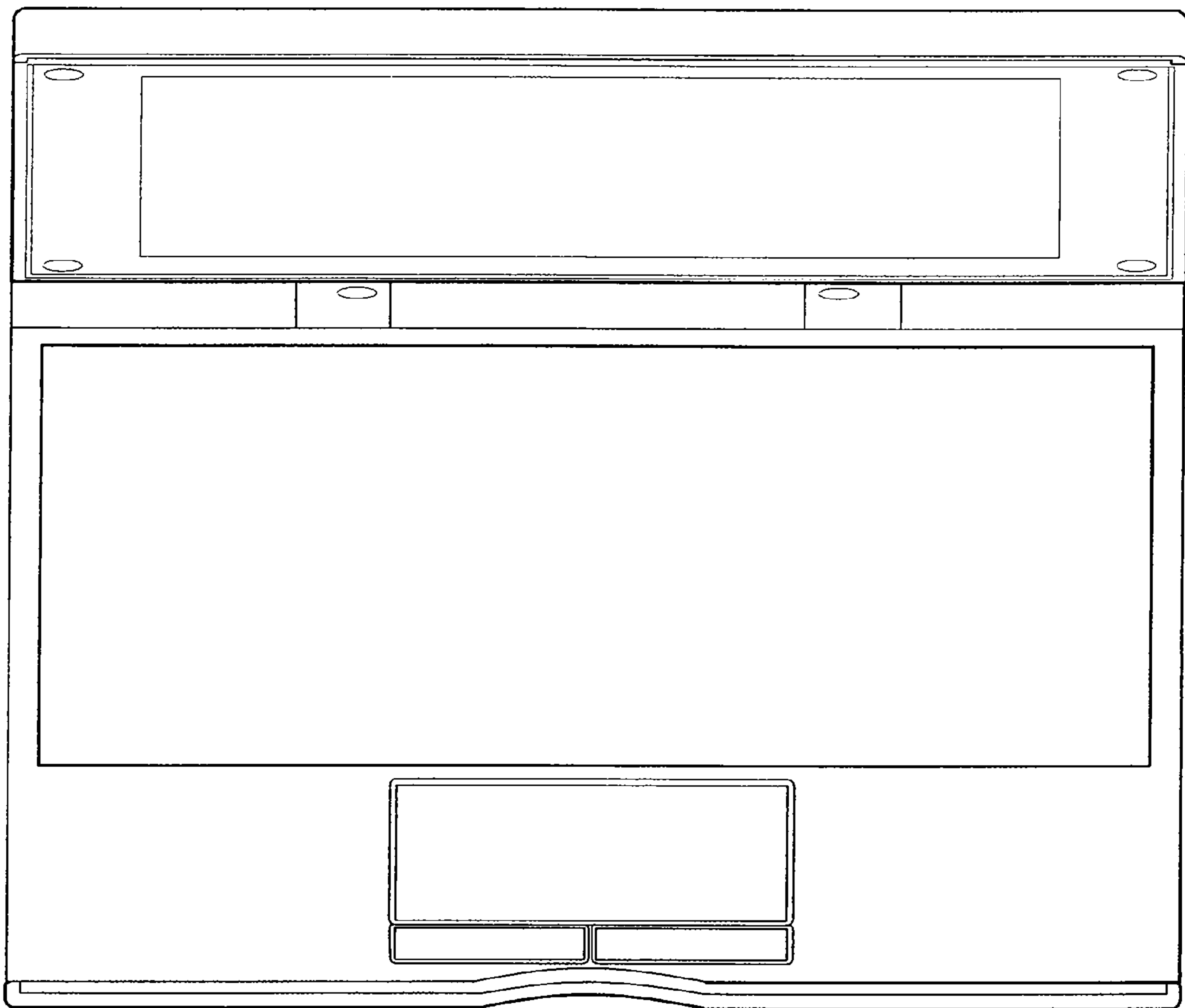


FIG. 2

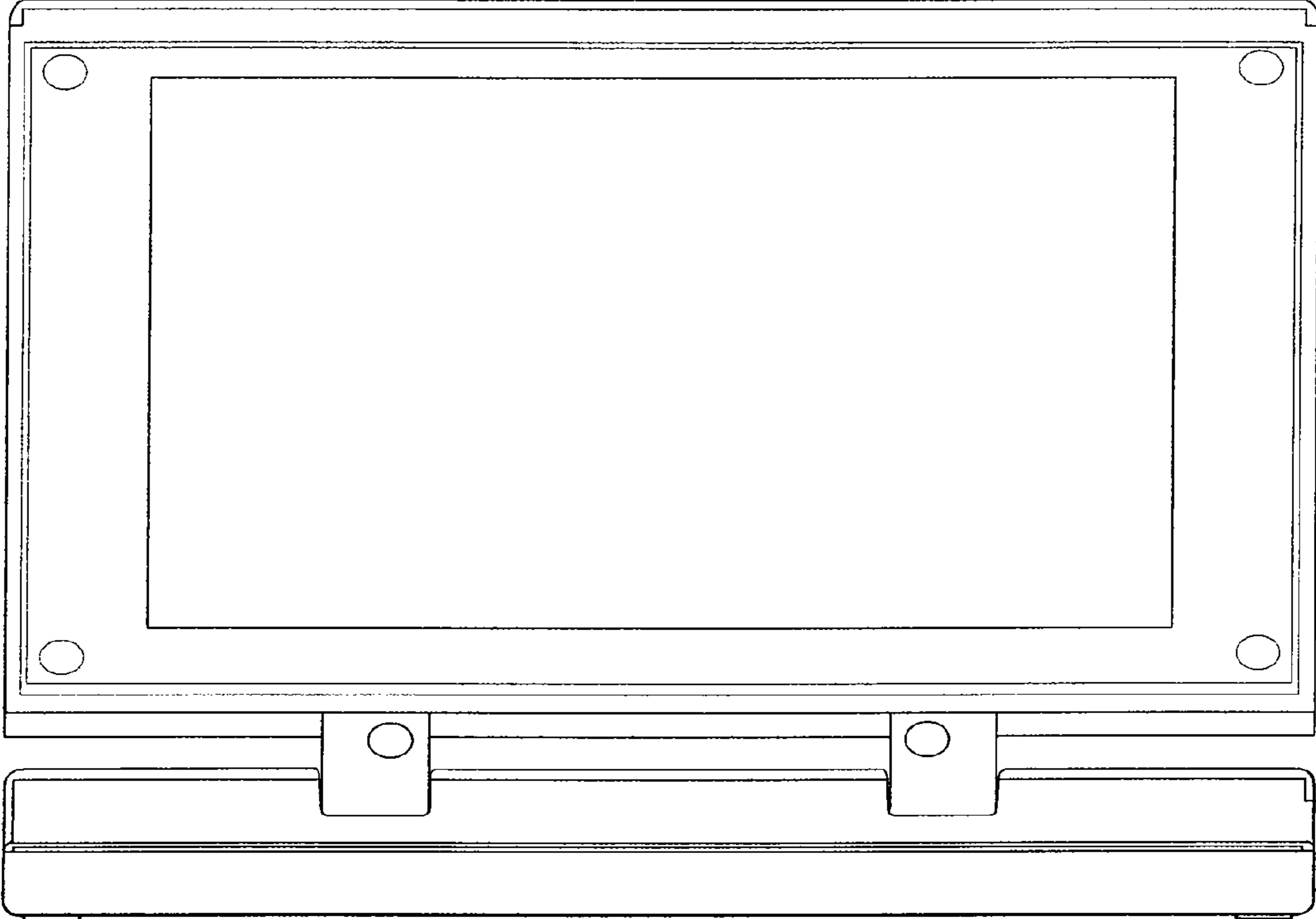


FIG. 3

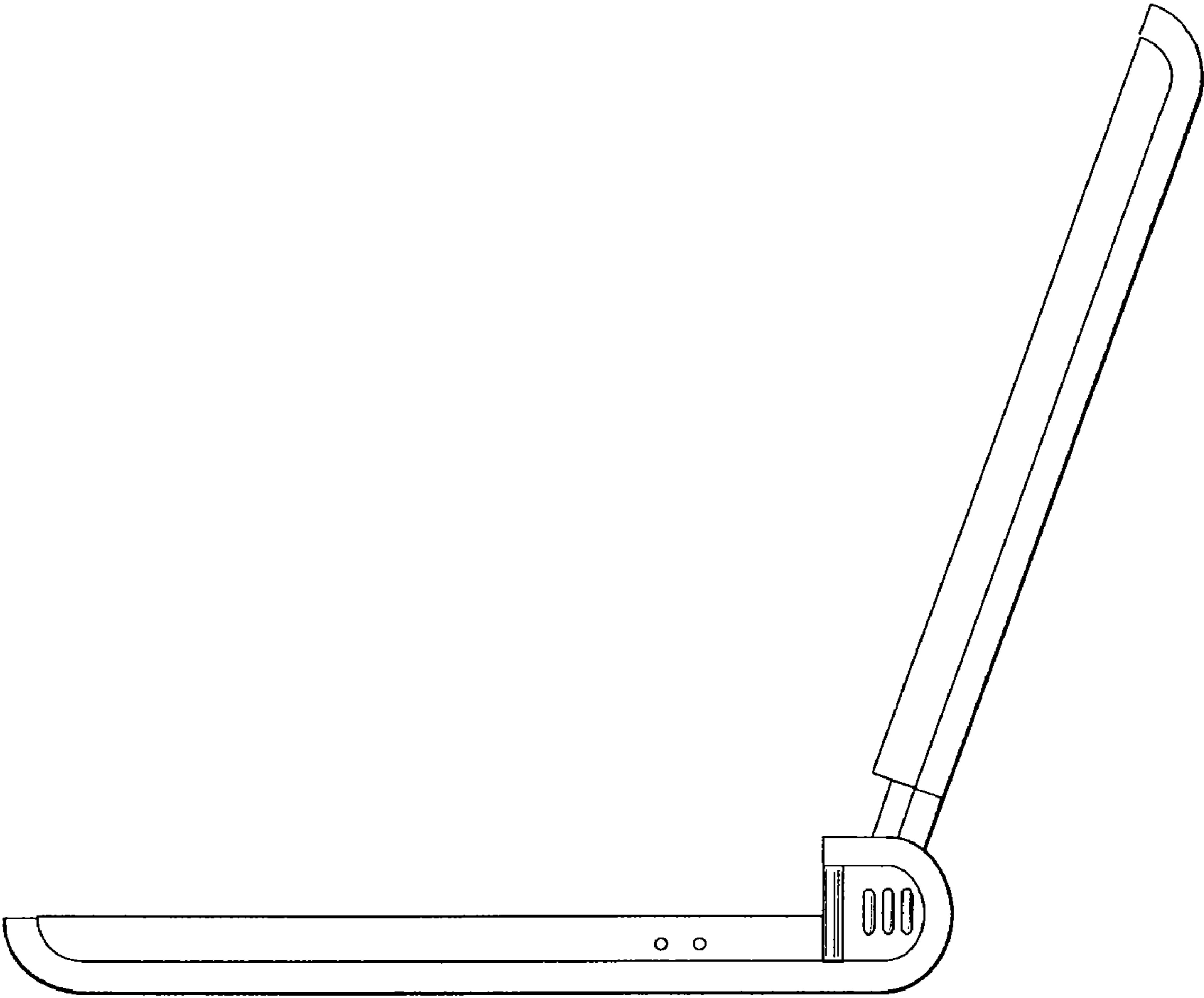


FIG. 4

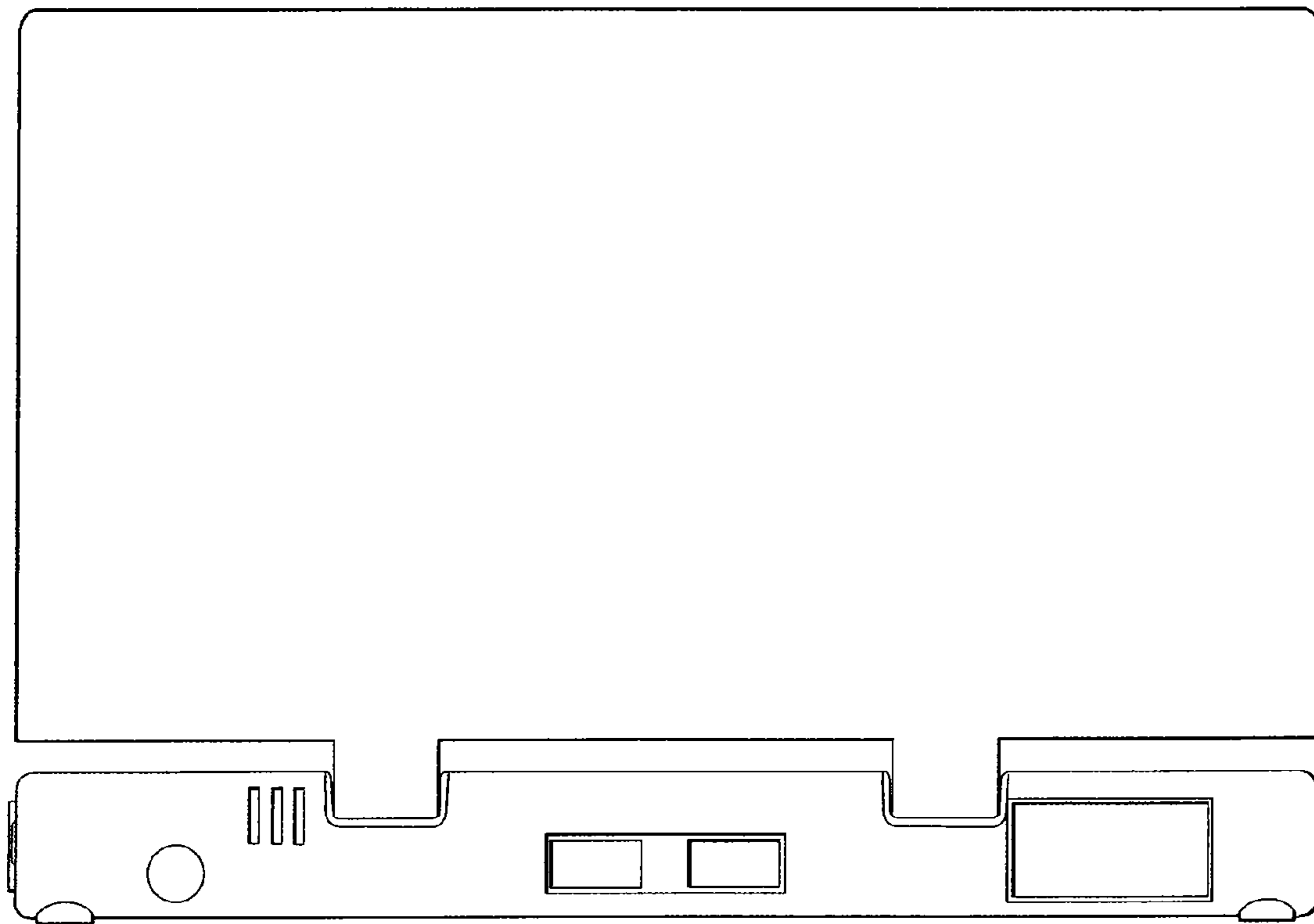


FIG. 5

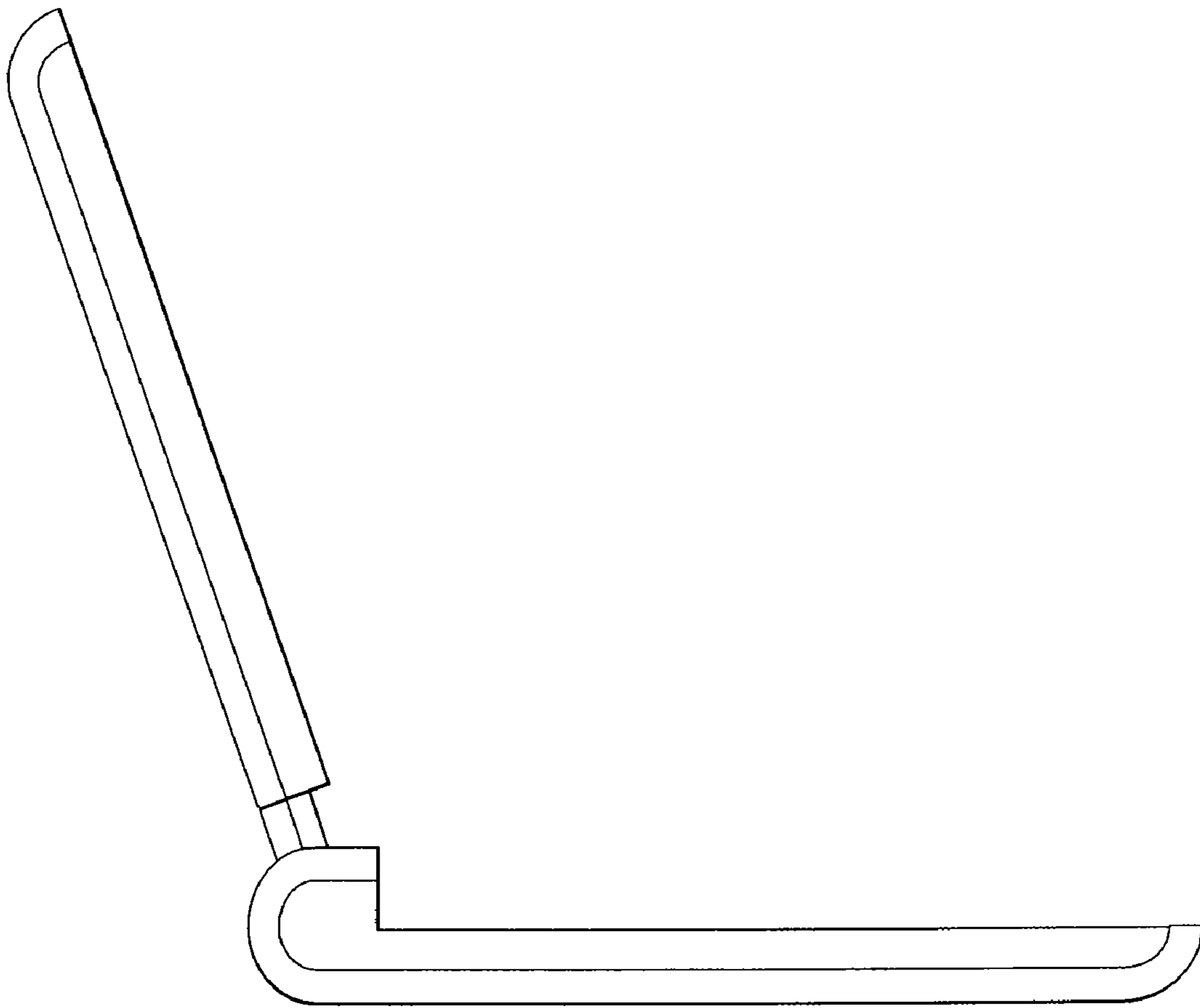


FIG. 6

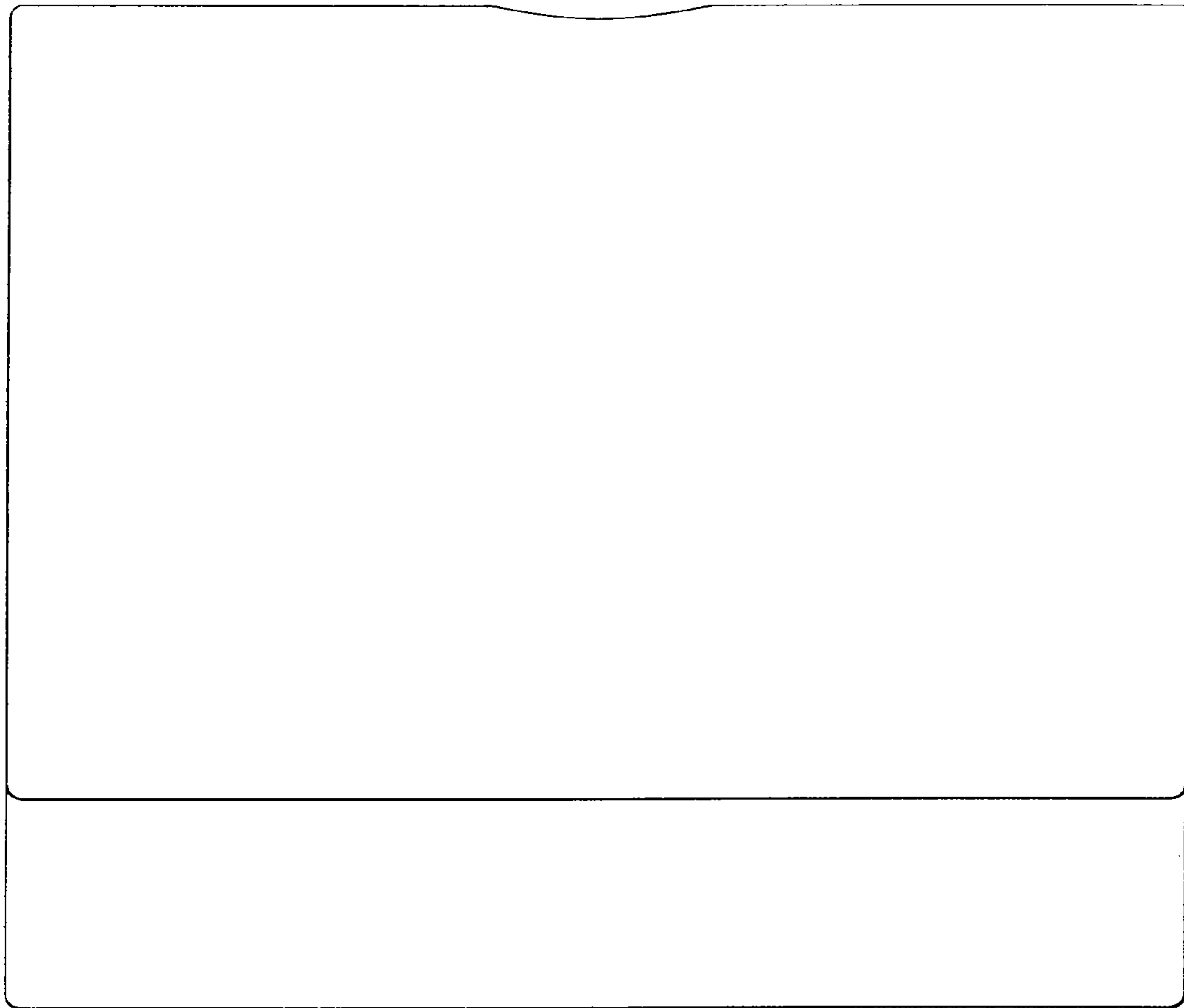


FIG. 7