

US00D595287S

(12) **United States Design Patent**
Nazar

(10) **Patent No.:** **US D595,287 S**
(45) **Date of Patent:** **** Jun. 30, 2009**

(54) **TWO-PIECE MOBILE TELEPHONE FOLIO HOLDER**

(75) Inventor: **David Nazar**, Los Angeles, CA (US)

(73) Assignee: **Hypercel Corporation**, Valencia, CA (US)

(**) Term: **14 Years**

(21) Appl. No.: **29/277,935**

(22) Filed: **Mar. 14, 2007**

(51) **LOC (9) Cl.** **14-03**

(52) **U.S. Cl.** **D14/251**

(58) **Field of Classification Search** D14/253,
D14/251-252, 137, 138 R, 138 AA, 142,
D14/447, 250, 434, 240, 451; D3/247-250;
455/575.1, 90.3; 248/221.11, 309.1, 311.2,
248/346.4, 346.06, 346.03; 379/446, 449,
379/454-455; D7/550.1, 551, 555, 551.1,
D7/567

See application file for complete search history.

(56) **References Cited**

U.S. PATENT DOCUMENTS

D311,112 S *	10/1990	Sweatt et al.	D7/542
D320,992 S *	10/1991	Jondelius	D14/253
D367,065 S *	2/1996	Wu	D14/253
D405,801 S *	2/1999	Nagele et al.	D14/253
D431,174 S *	9/2000	Merideth	D8/354
D470,849 S *	2/2003	Bertagnole et al.	D14/434
D471,548 S *	3/2003	Zheng	D14/253
D494,963 S *	8/2004	Schwimmer et al.	D14/253
D583,821 S *	12/2008	Richter	D14/447
2005/0072691 A1 *	4/2005	Schlansky	206/232

2008/0298026 A1* 12/2008 Wang et al. 361/728

OTHER PUBLICATIONS

Monogrammed Leather Travel Valet, [on line], [retrieved on Jan. 29, 2009]. Retrieved from Internet, <URL: <http://www.google.com>>.*

* cited by examiner

Primary Examiner—Ian Simmons

Assistant Examiner—Wan Laymon

(74) *Attorney, Agent, or Firm*—Chernow Katz LLC

(57) **CLAIM**

The ornamental design for a two-piece mobile telephone folio holder, as shown and described.

DESCRIPTION

FIG. 1 is a perspective view of a two-piece mobile telephone folio holder showing my new design;

FIG. 2 is an exploded perspective view thereof;

FIG. 3 is another perspective view, where the phone shown in broken line illustrates the portions of the design that form no part of the claim thereof;

FIG. 4 is a top view thereof, where the phone resting pad piece shown in a different position;

FIG. 5 is a bottom view thereof;

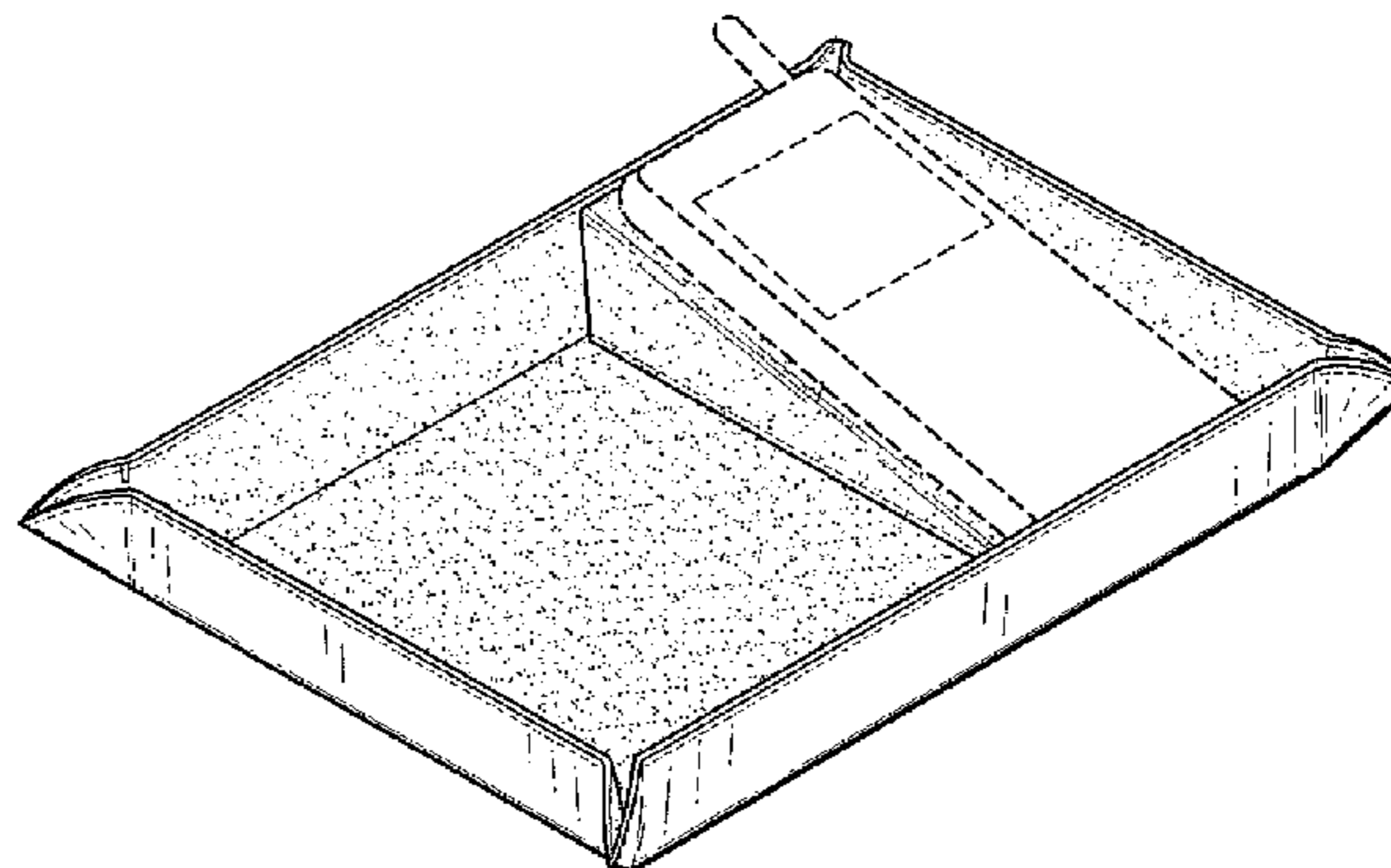
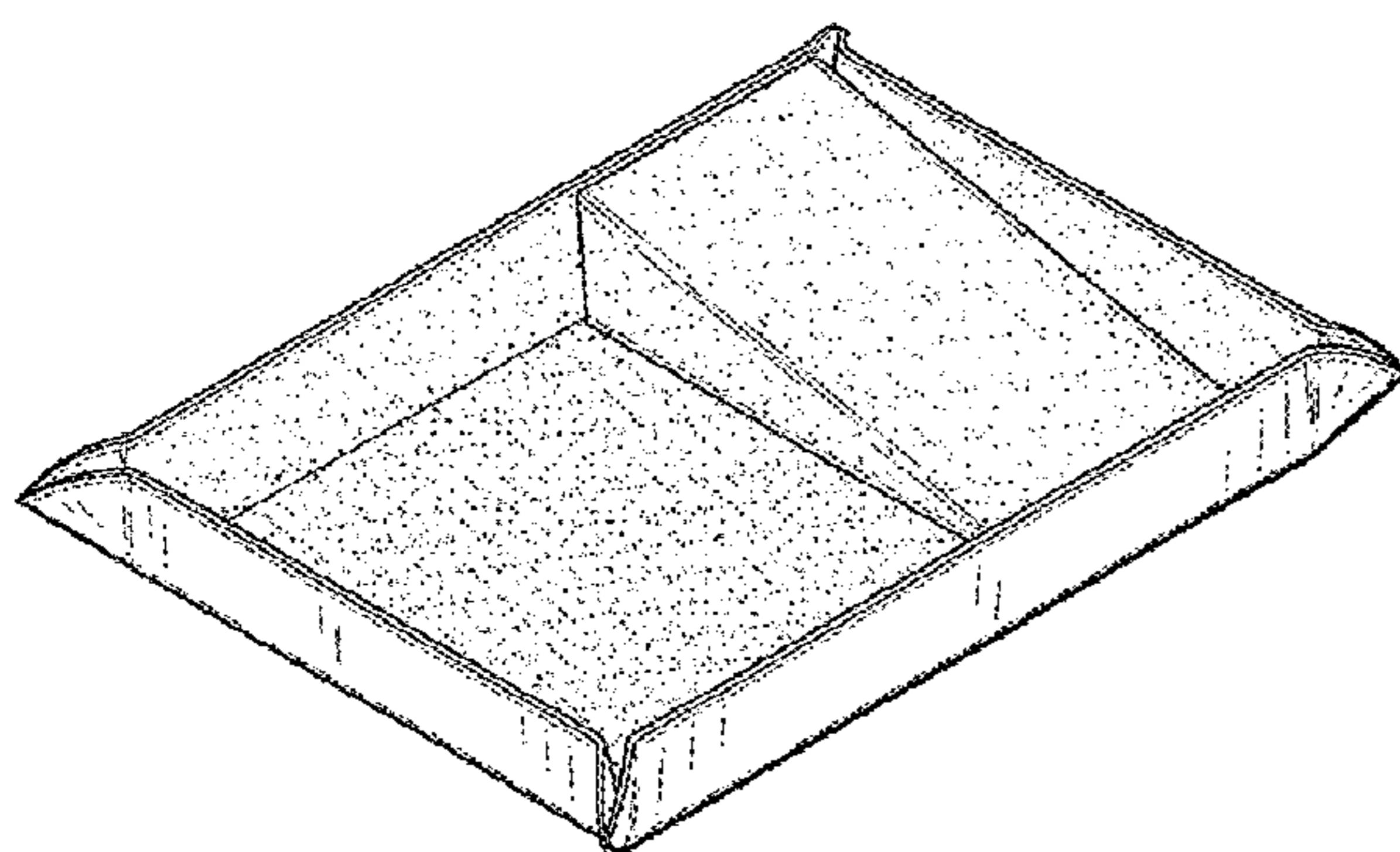
FIG. 6 is a front view thereof;

FIG. 7 is a back view thereof; and,

FIG. 8 is a side view thereof.

The broken lines shown on the surface of the two-piece mobile telephone folio holder throughout the views are understood to represent stitching.

1 Claim, 4 Drawing Sheets



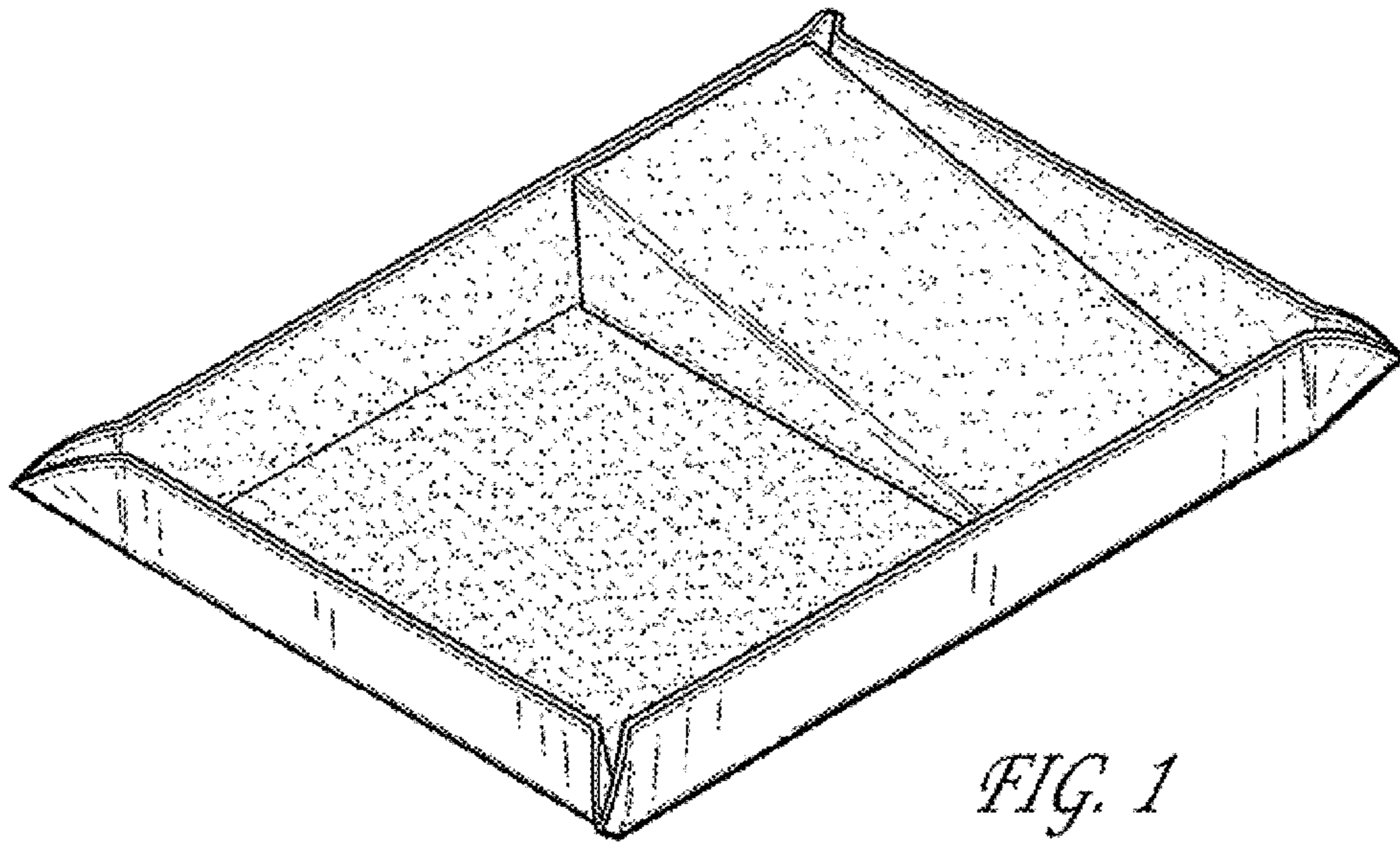


FIG. 1

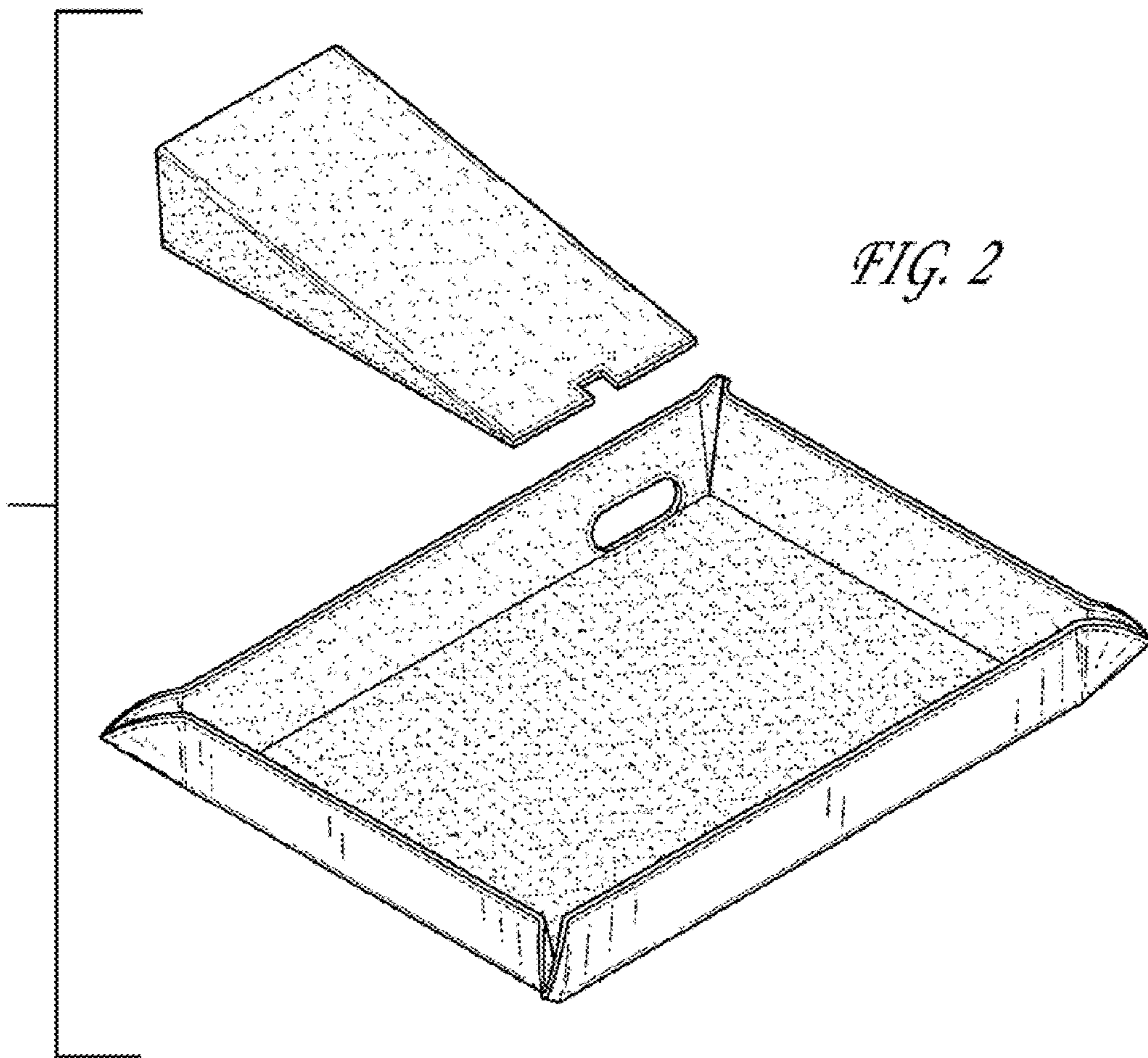


FIG. 2

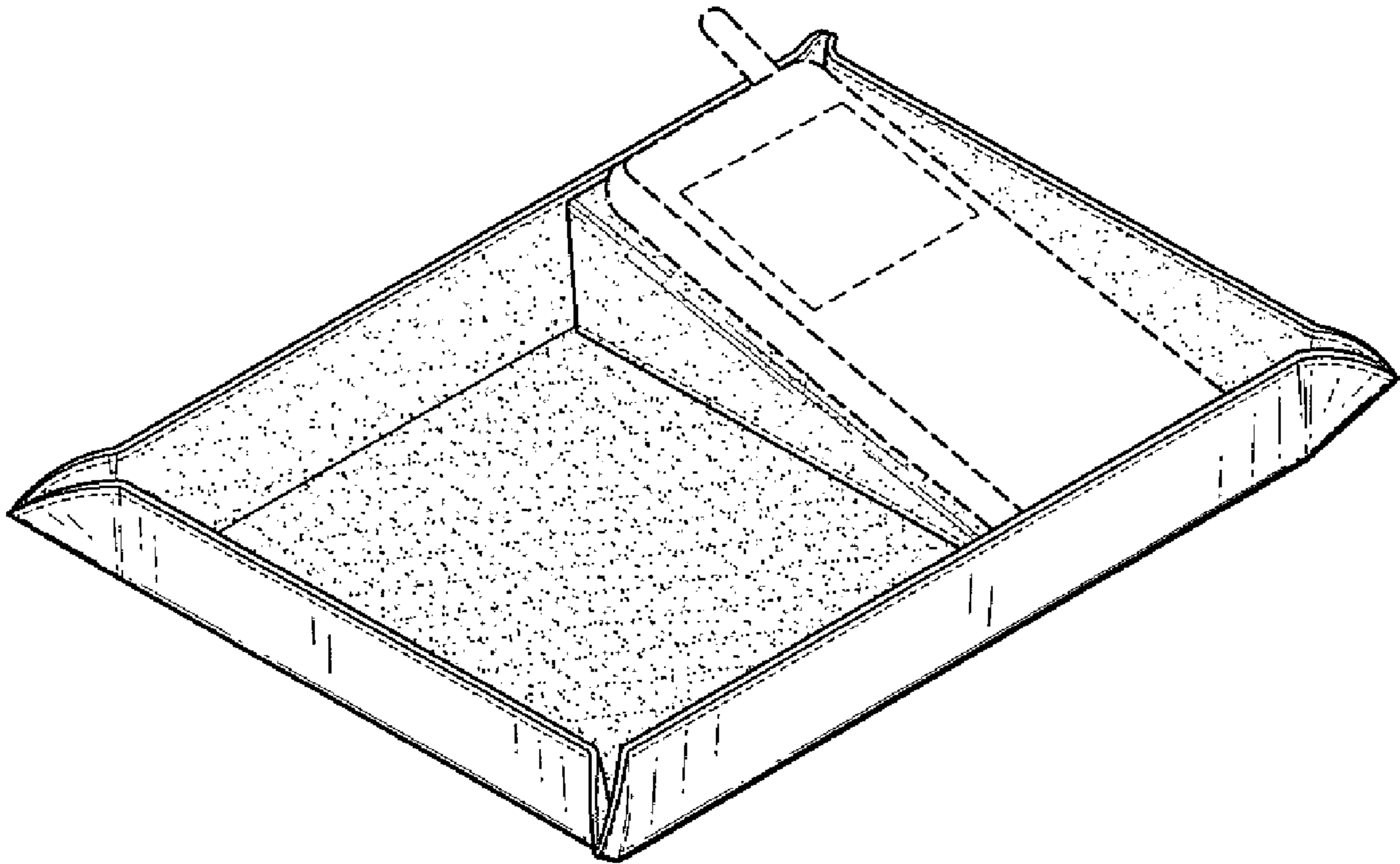


FIG. 3

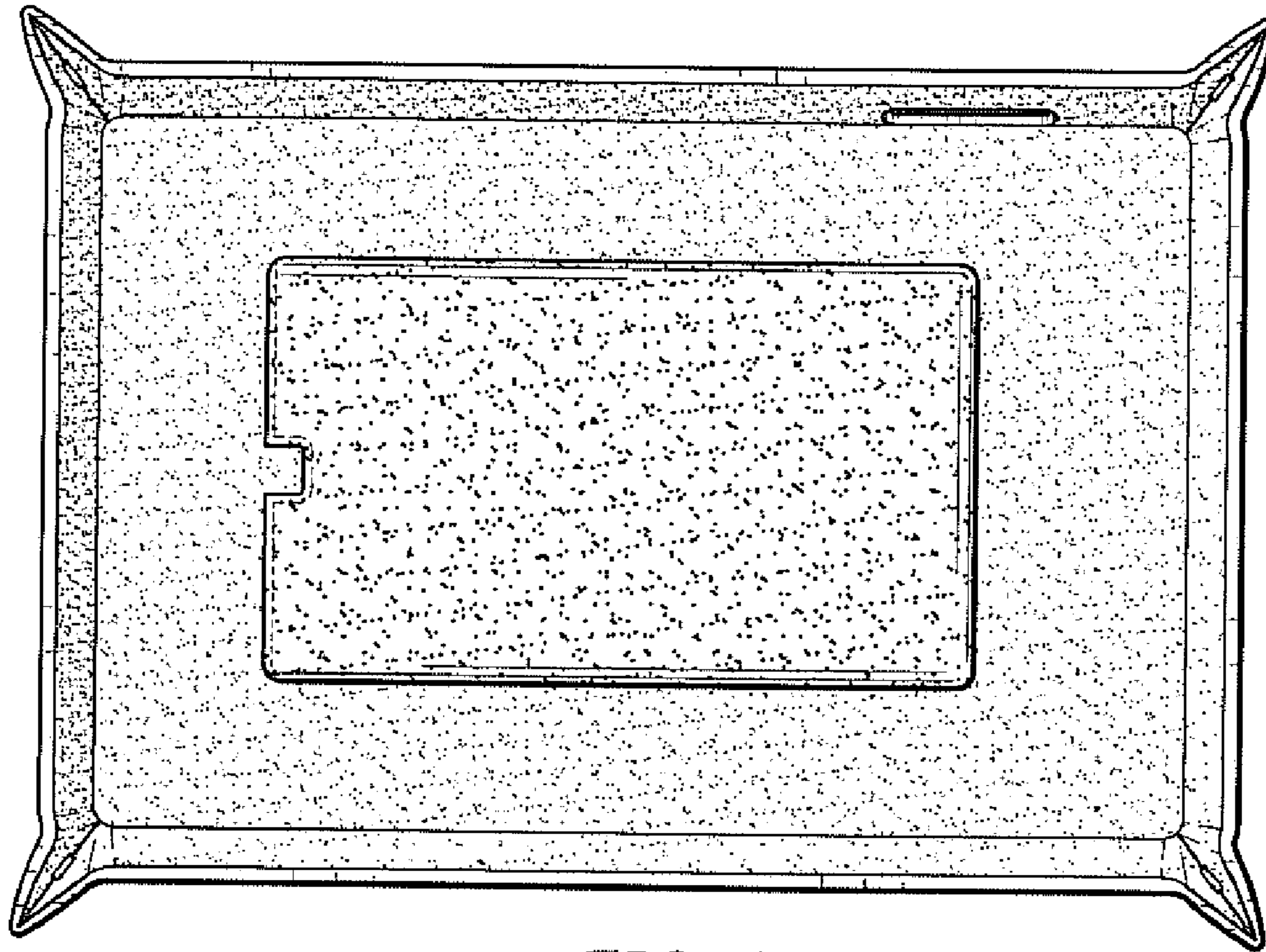


FIG. 4

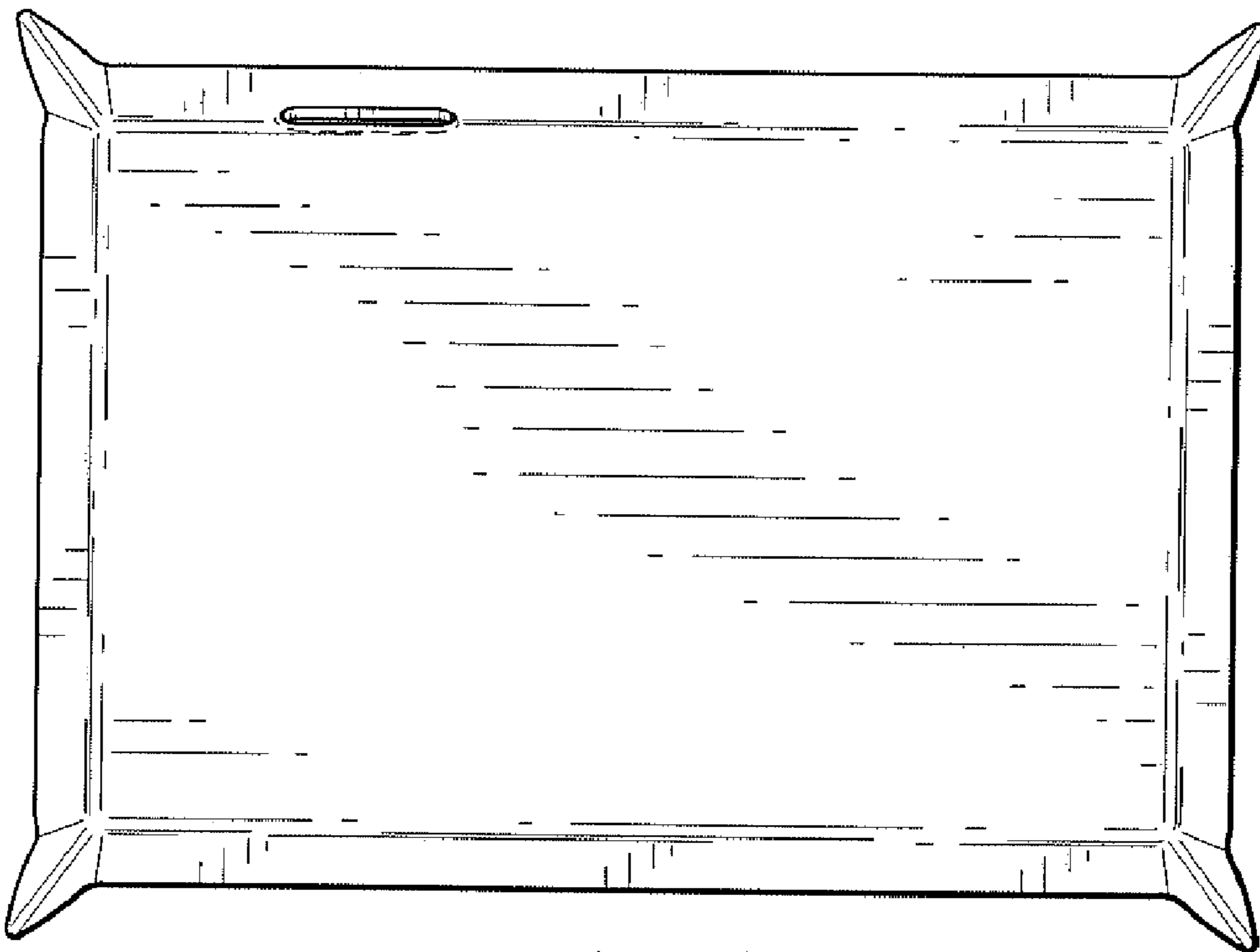


FIG. 5

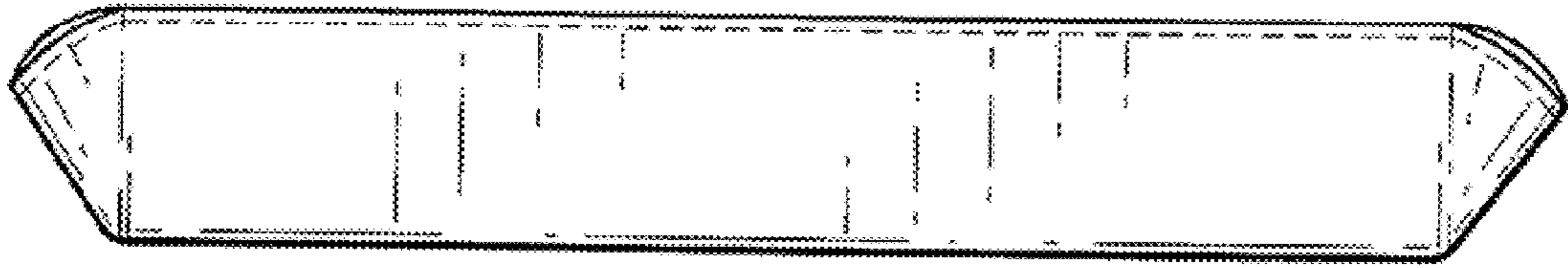


FIG. 6

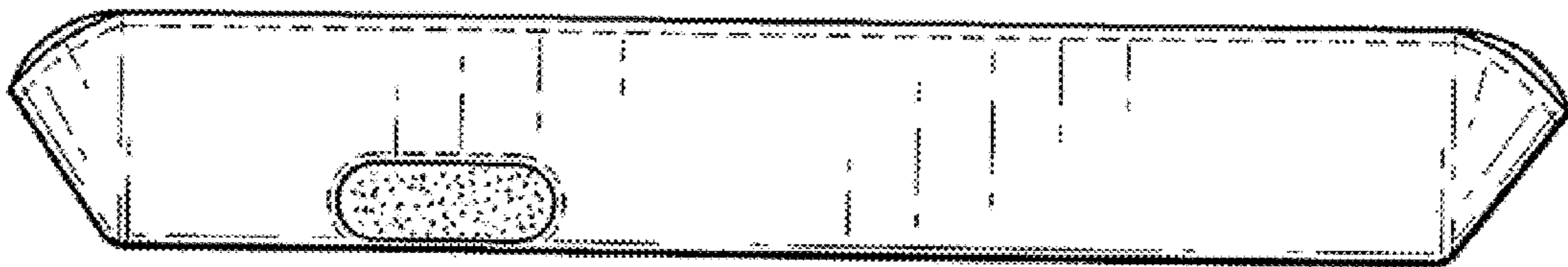


FIG. 7

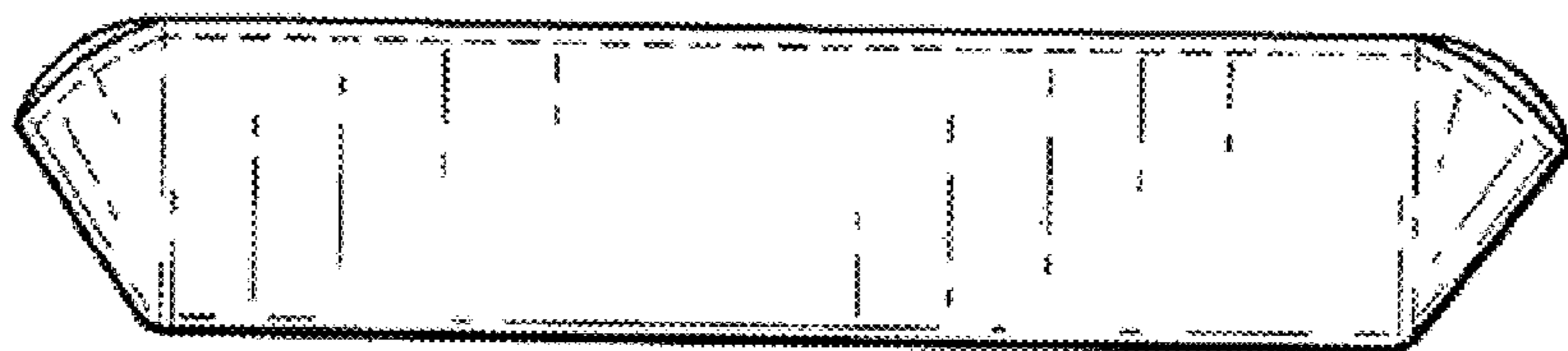


FIG. 8