



US00D595280S

(12) **United States Design Patent**
Chiba et al.

(10) **Patent No.:** **US D595,280 S**
(45) **Date of Patent:** **** Jun. 30, 2009**

(54) **WIRELESS COMMUNICATION TERMINAL**

(75) Inventors: **Kazuhiro Chiba**, Tokyo (JP); **Katsuya Hirano**, Tokyo (JP); **Kouichi Takita**, Tokyo (JP); **Takeshi Nakatani**, Tokyo (JP)

(73) Assignee: **NEC Corporation** (JP)

(**) Term: **14 Years**

(21) Appl. No.: **29/286,943**

(22) Filed: **May 23, 2007**

(30) **Foreign Application Priority Data**

Dec. 1, 2006 (JP) 2006-033292

(51) **LOC (9) Cl.** **14-02**

(52) **U.S. Cl.** **D14/240**

(58) **Field of Classification Search** D14/188, D14/242, 496, 230–237, 241, 167, 302, 314, D14/348–358, 363, 383, 433, 43, 439–441, D14/140–140.94; D13/149, 184; D3/201, D3/273; 711/100, 115; 361/685, 725, 752; 369/272.1, 273, 75.11; 360/133, 79.01, 97.03; 379/220.01, 221.09, 220.14, 25, 93.09, 93.19, 379/156, 900, 338–339, 441

See application file for complete search history.

(56) **References Cited**

U.S. PATENT DOCUMENTS

D311,728 S * 10/1990 Yoshitake D14/351
D351,147 S * 10/1994 Hill D14/351
D389,088 S * 1/1998 Murphy D14/351
D447,479 S * 9/2001 Tierney D14/351
D517,064 S * 3/2006 Noda et al. D14/349

D540,320 S * 4/2007 Noda et al. D14/349
D545,309 S * 6/2007 Noda et al. D14/349
D563,953 S * 3/2008 Tosh et al. D14/349
D568,315 S * 5/2008 Yano D14/358

OTHER PUBLICATIONS

Aperto Networks brochure entitled PacketMAX Fixed and Mobile WiMAX, Copyright 2006, on p. 5 note PM500 and PM20.

* cited by examiner

Primary Examiner—Charles A Rademaker

Assistant Examiner—Charles D Hanson

(74) *Attorney, Agent, or Firm*—Seyfarth Shaw LLP

(57) **CLAIM**

The ornamental design for the wireless communication terminal, as shown and described.

DESCRIPTION

FIG. 1 is a front elevational view of the wireless communication terminal showing our new design;

FIG. 2 is a rear elevational view thereof;

FIG. 3 is a left-side elevational view of one side thereof;

FIG. 4 is a top plan view thereof;

FIG. 5 is a bottom plan view thereof;

FIG. 6 is a right-side elevational view of the other side thereof;

FIG. 7 is a cross sectional view taken along line 7—7 of FIG. 1 and omitting the inner mechanisms and electronic parts;

FIG. 8 is a rear perspective view thereof; and,

FIG. 9 is a front perspective view thereof, showing the terminal separated from the stand.

1 Claim, 3 Drawing Sheets

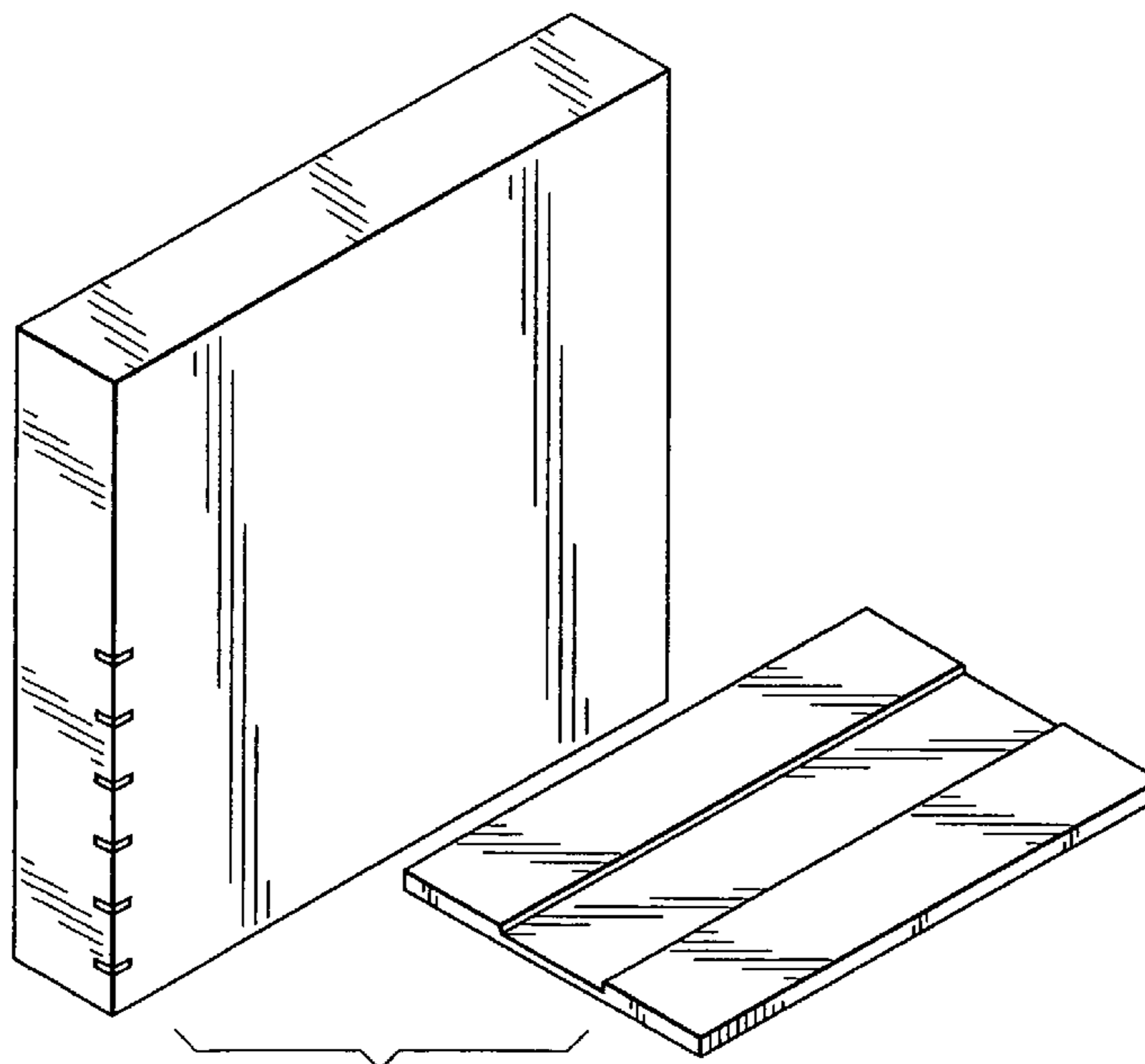


Fig. 1

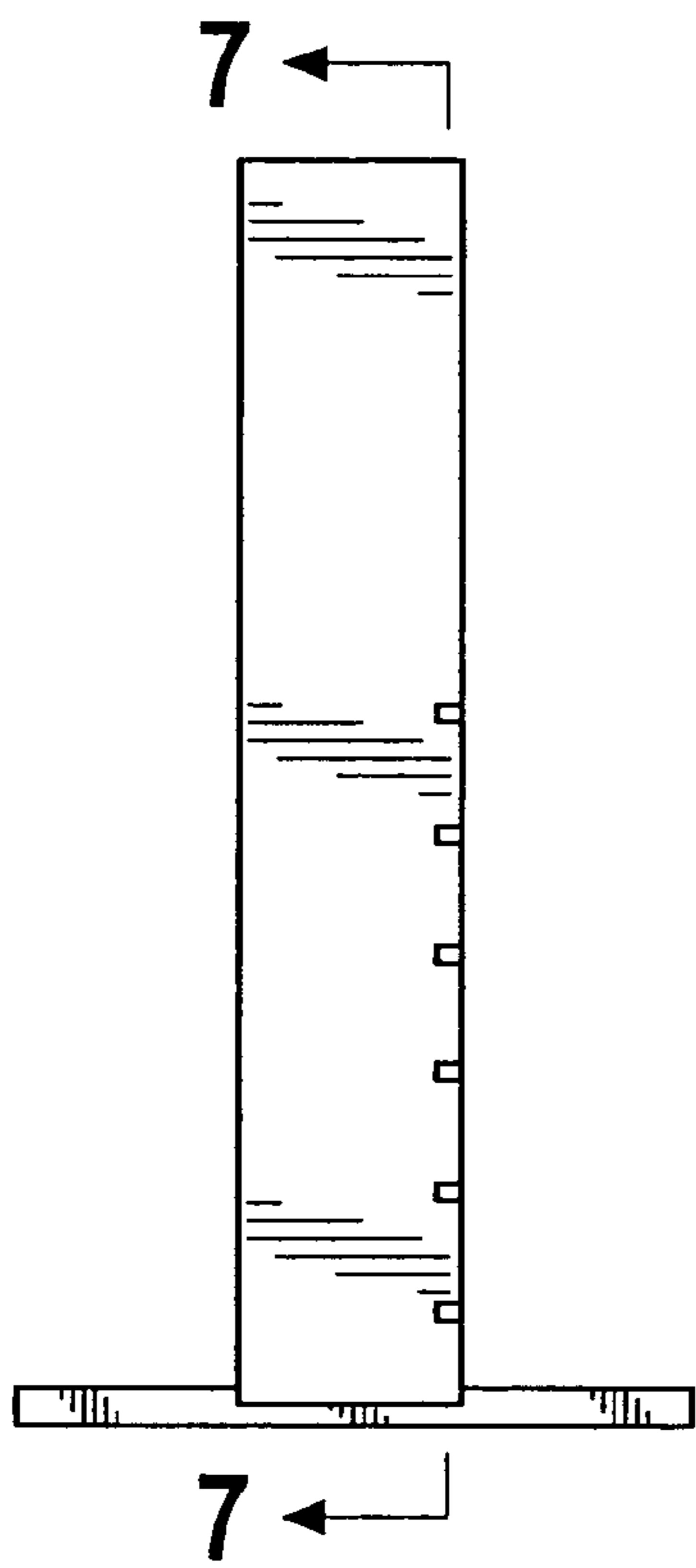


Fig. 2

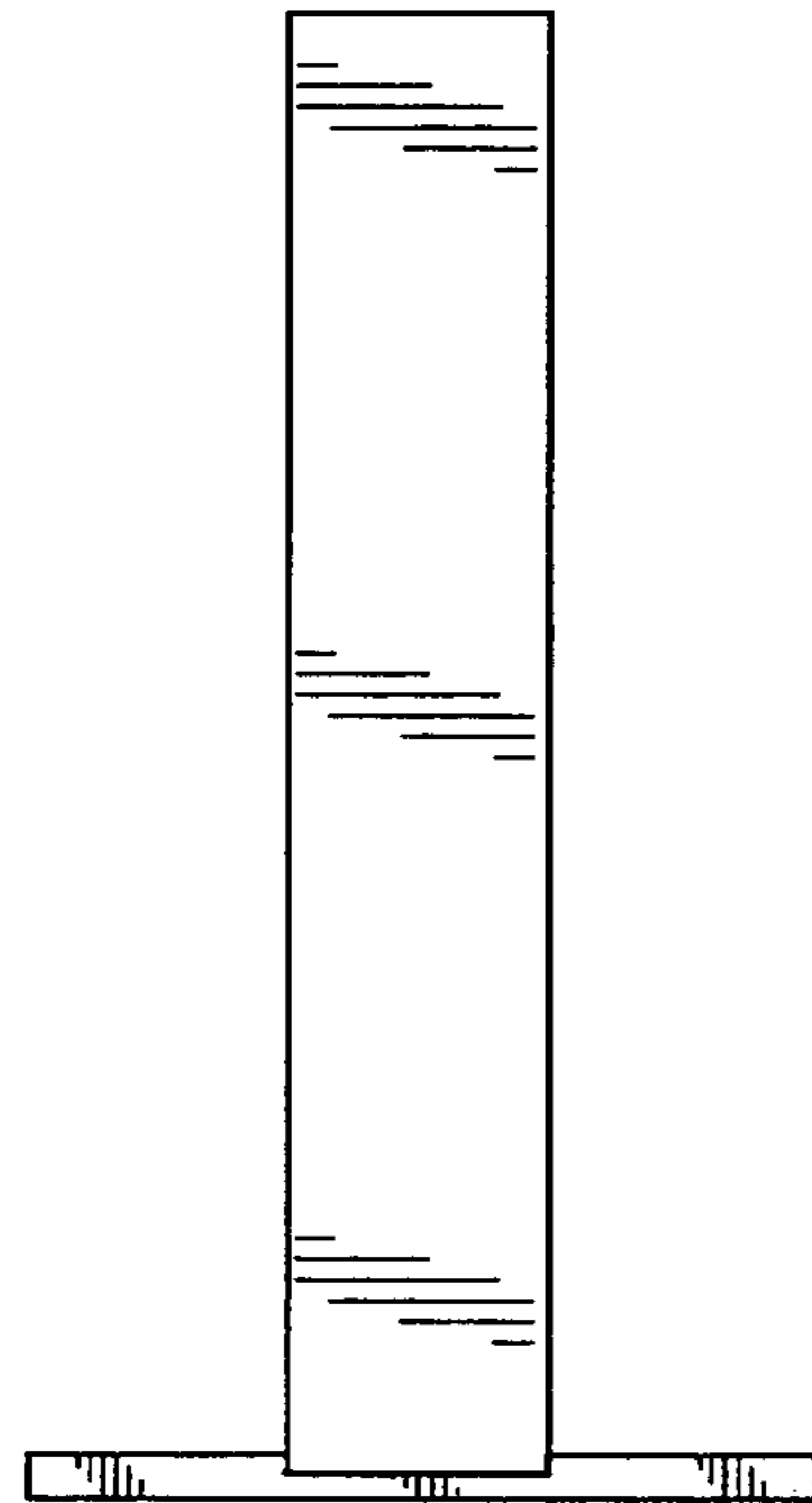


Fig. 3

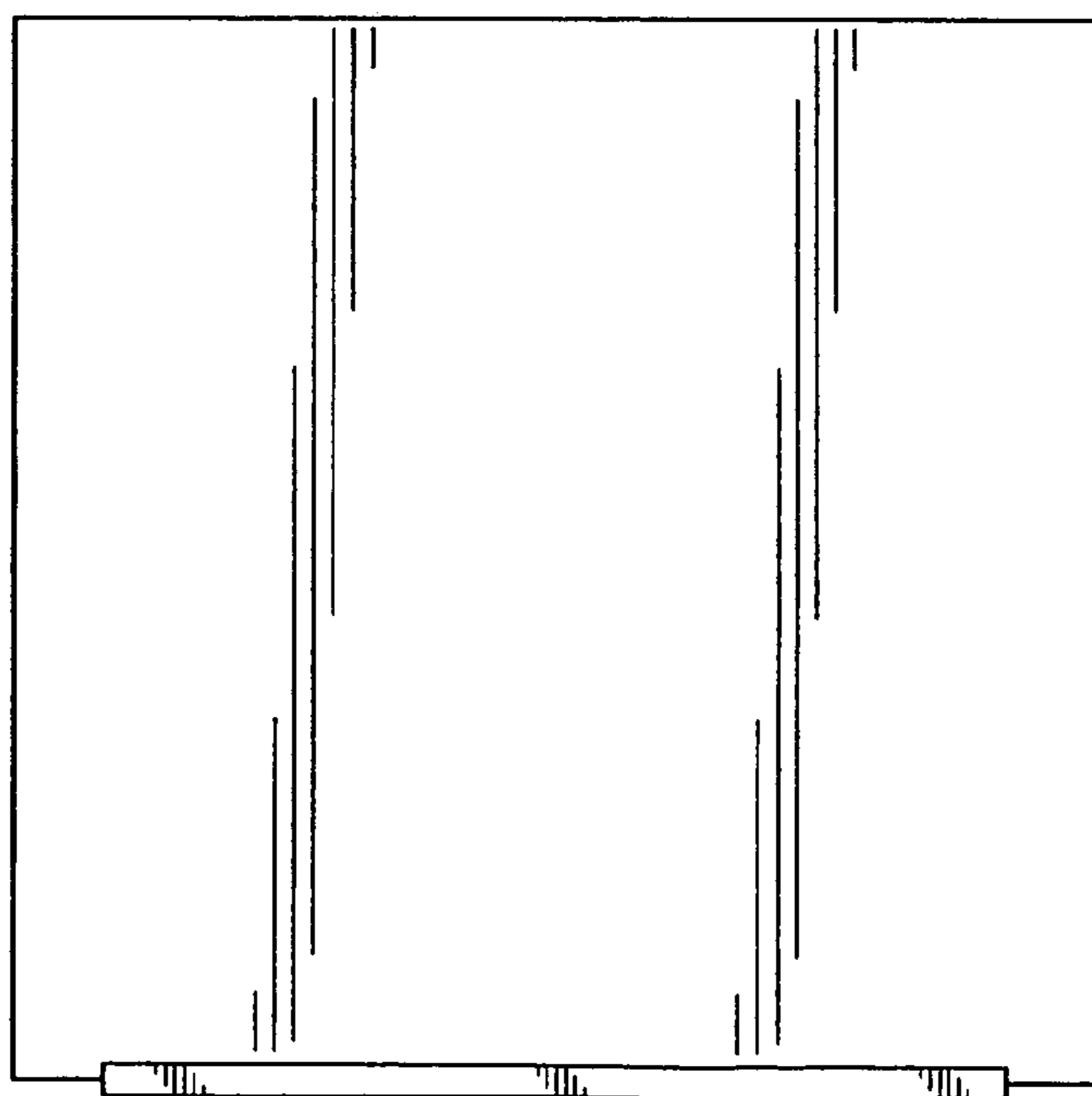


Fig. 4

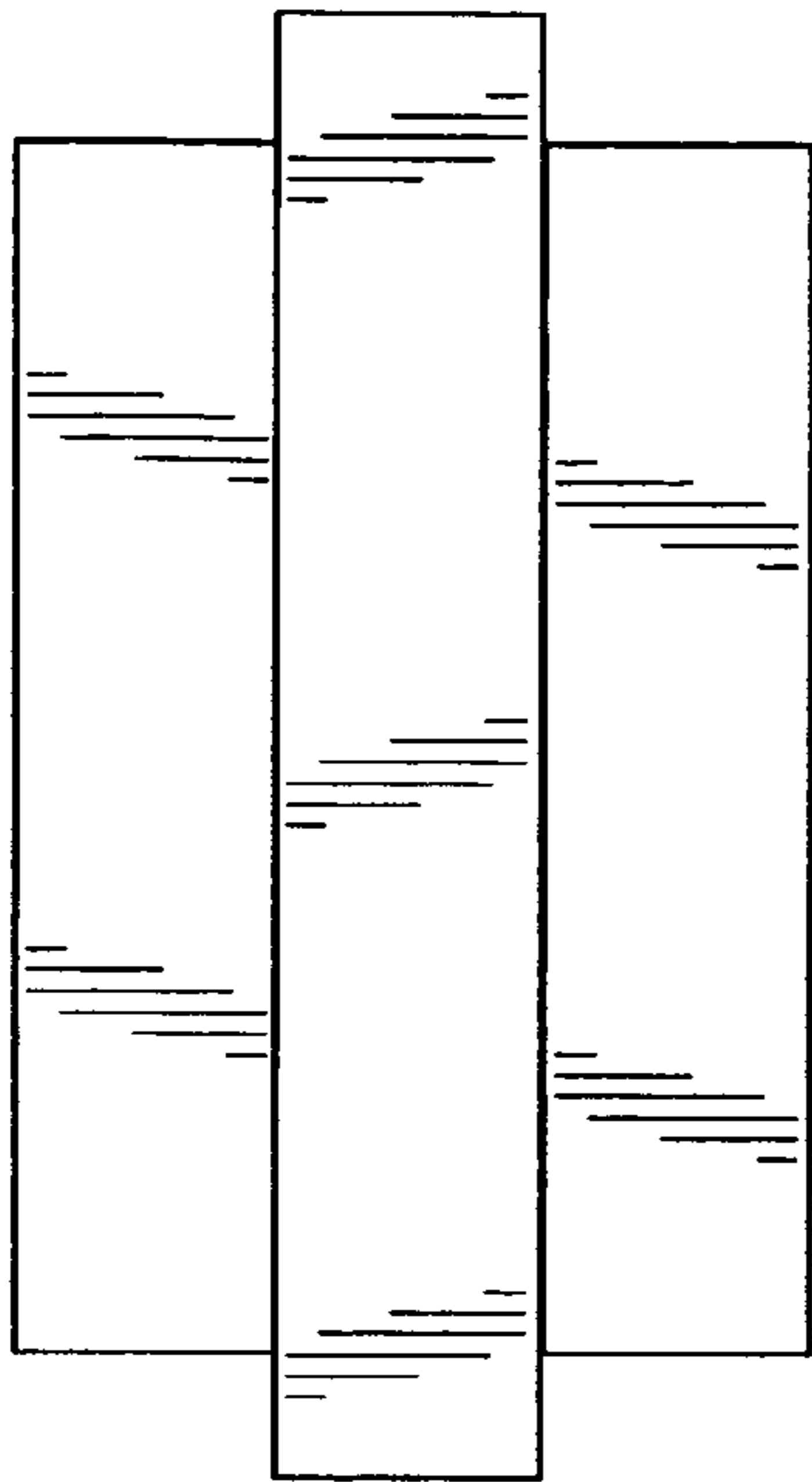


Fig. 5

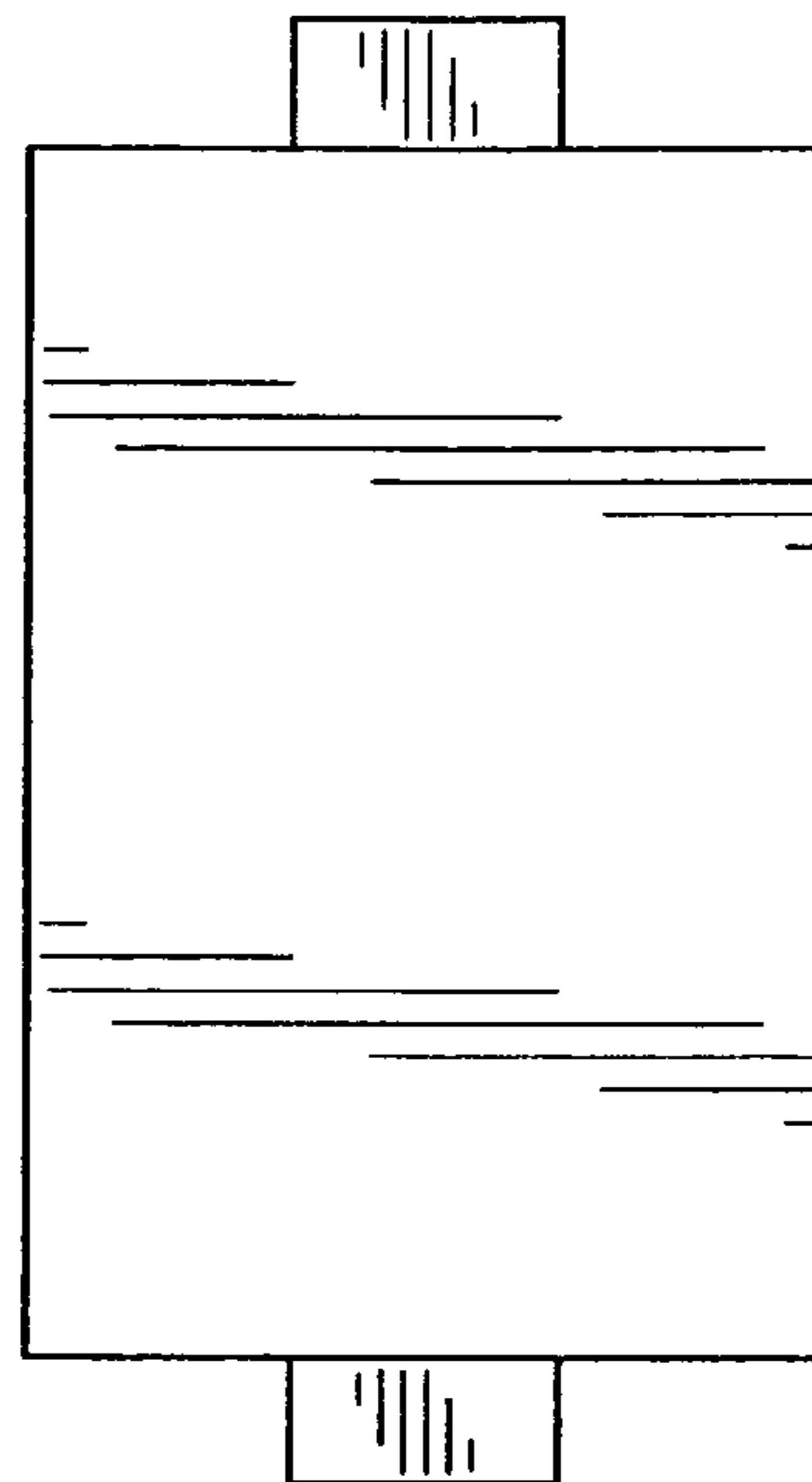


Fig. 6

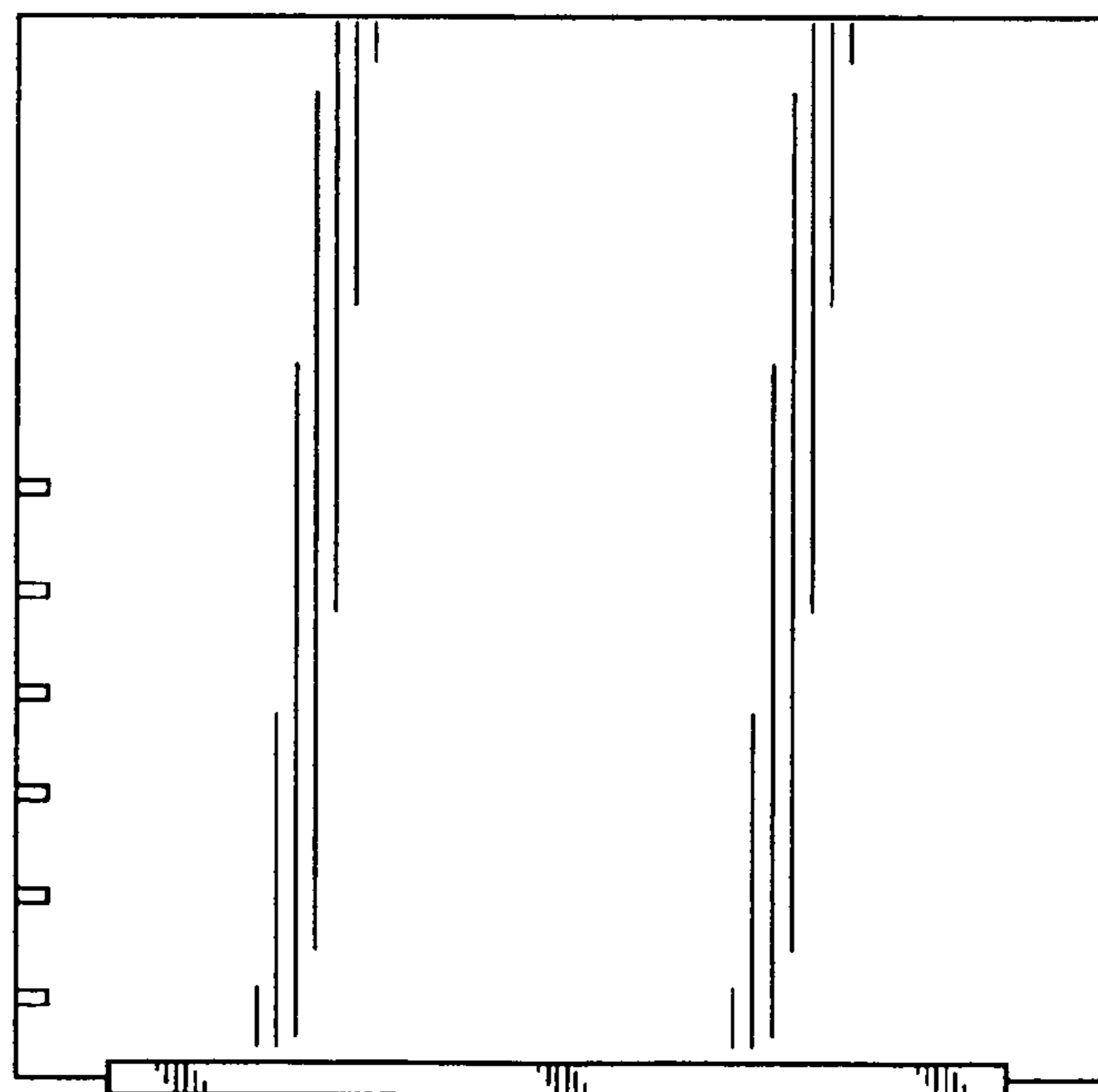


Fig. 7

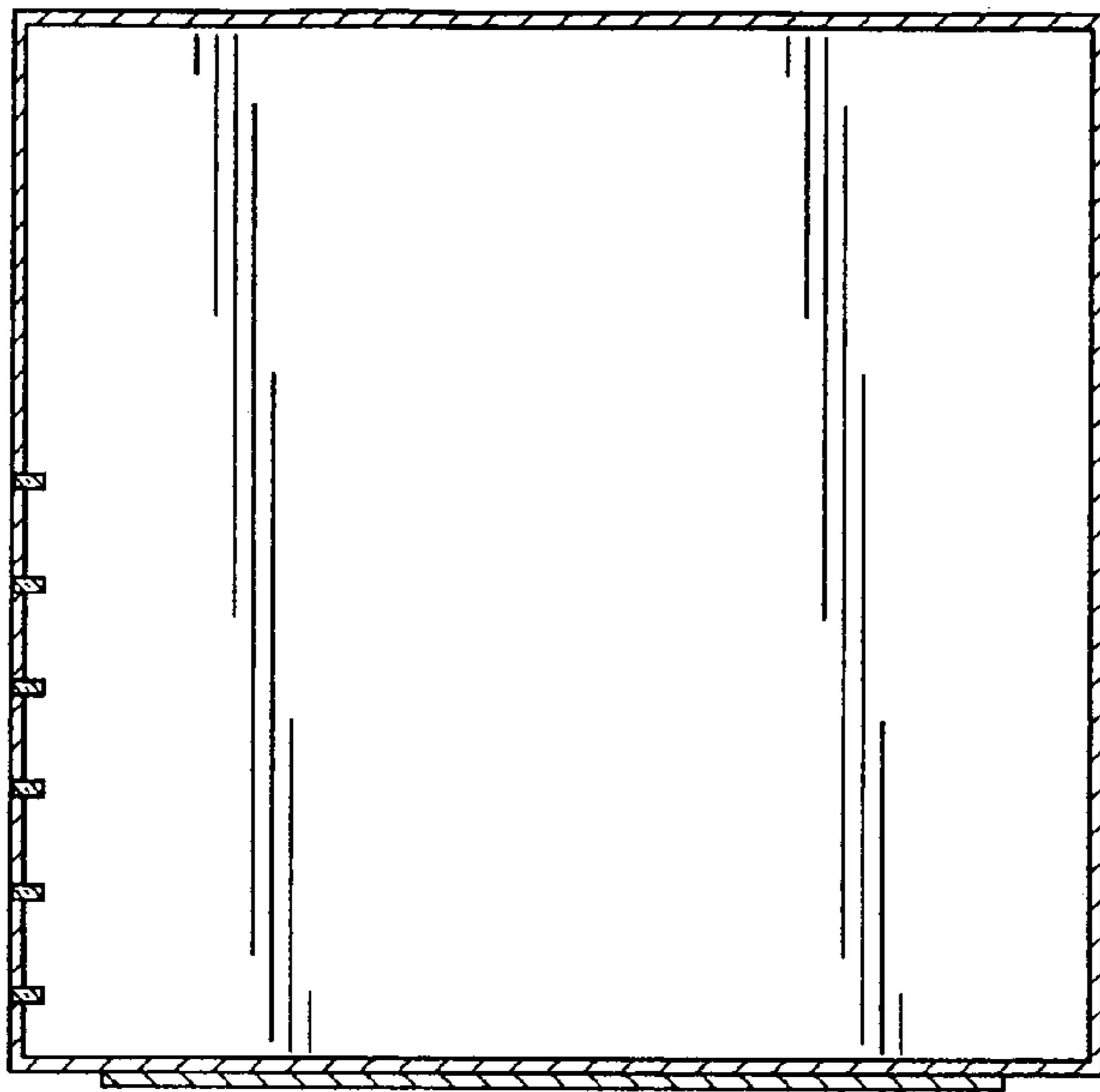


Fig. 8

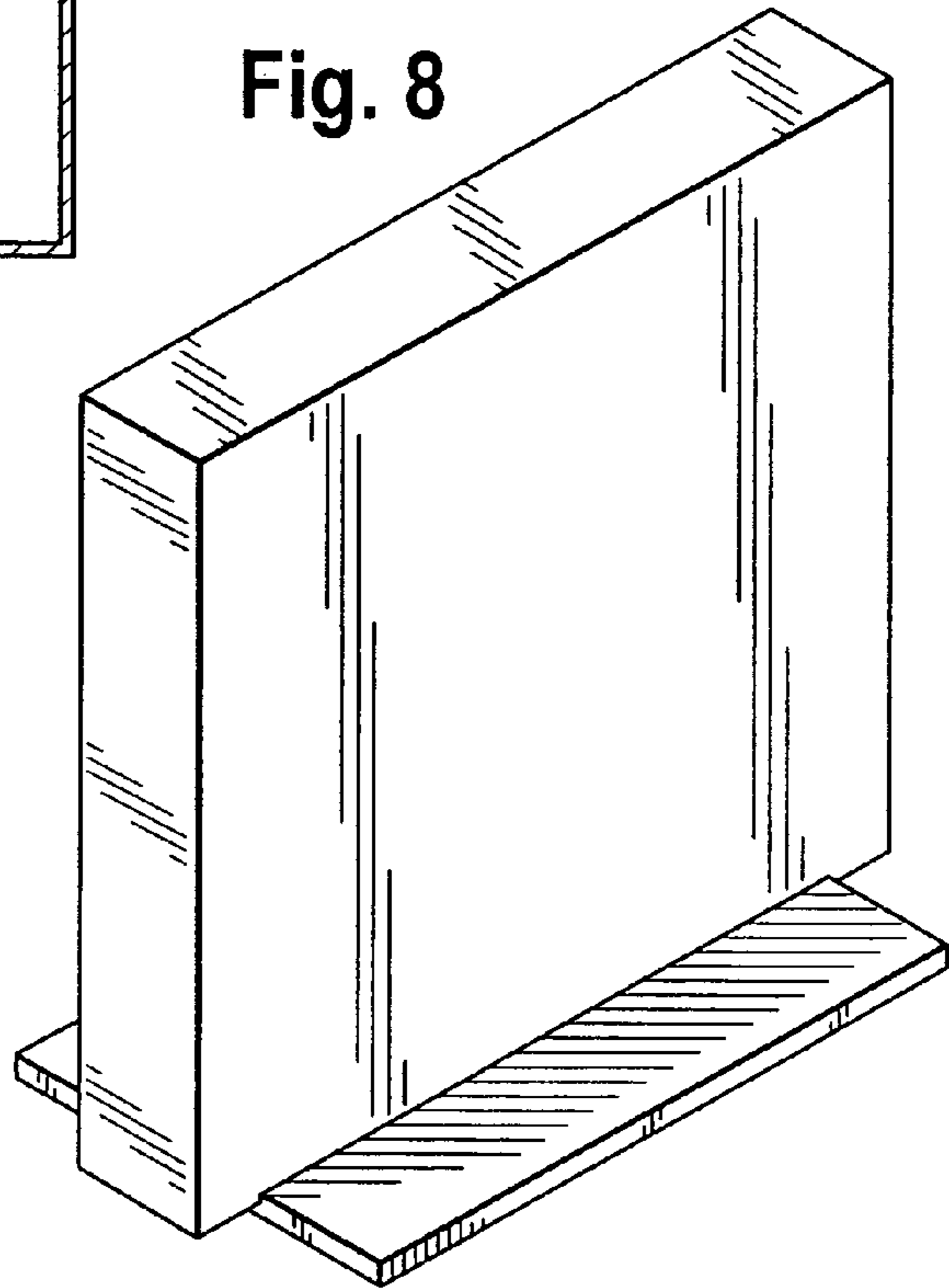


Fig. 9

