

US00D595277S

(12) **United States Design Patent**
Bremmon et al.

(10) **Patent No.:** **US D595,277 S**
(45) **Date of Patent:** **** Jun. 30, 2009**

(54) **TWO-RAIL MOUNT FOR ELECTRONIC DISPLAY**

(75) Inventors: **Jeff Bremmon**, Shakopee, MN (US);
Jamie Brandt, Shakopee, MN (US)

(73) Assignee: **Milestone AV Technologies LLC**,
Savage, MN (US)

(**) Term: **14 Years**

(21) Appl. No.: **29/319,787**

(22) Filed: **Jun. 15, 2008**

Related U.S. Application Data

(63) Continuation-in-part of application No. 29/299,834,
filed on Jan. 4, 2008, now abandoned.

(51) **LOC (9) Cl.** **14-03**

(52) **U.S. Cl.** **D14/239**

(58) **Field of Classification Search** D14/125-134,
D14/239, 371, 136, 374-377; D8/363, 373,
D8/349, 394; 248/465, 917-924, 123.11;
348/825, 827, 836, 837, 838, 180, 184, 325,
348/739; 600/443; D6/477-479, 407, 474,
D6/460, 461, 468; 312/7.2; 341/12; 345/87,
345/104, 133, 156, 168, 169, 173; 720/605,
720/669, 600, 655; 369/99, 197; 455/344-347;
349/1, 2, 11, 62; 108/59, 91, 92, 96; 211/40,
211/41.12, 42, 49.1, 50, 85.2, 90.04, 187,
211/190, 119.003, 87.01, 71.01

See application file for complete search history.

(56) **References Cited**

U.S. PATENT DOCUMENTS

3,146,738 A 9/1964 Telarico
3,698,329 A 10/1972 Diamond et al.
D260,336 S 8/1981 Springer
D279,249 S 6/1985 Fausel

D282,328 S 1/1986 Brescia et al.
D293,404 S 12/1987 Murphy
5,348,385 A 9/1994 Berg
D359,643 S 6/1995 Langmade
D406,476 S 3/1999 Boije

(Continued)

OTHER PUBLICATIONS

U.S. Appl. No. 29/282,348, filed Jul. 17, 2007, Russell.

(Continued)

Primary Examiner—Philip S Hyder

Assistant Examiner—Randall H Gholson

(74) *Attorney, Agent, or Firm*—Patterson, Thuente, Skaar &
Christensen PA

(57) **CLAIM**

The ornamental design for a two-rail mount for electronic display, as shown and described.

DESCRIPTION

FIG. 1 is a front perspective view of a two-rail mount for electronic display according to the invention;

FIG. 2 is a front elevation view of the two-rail mount for electronic display depicted in FIG. 1;

FIG. 3 is a rear elevation view of the two-rail mount for electronic display depicted in FIG. 1;

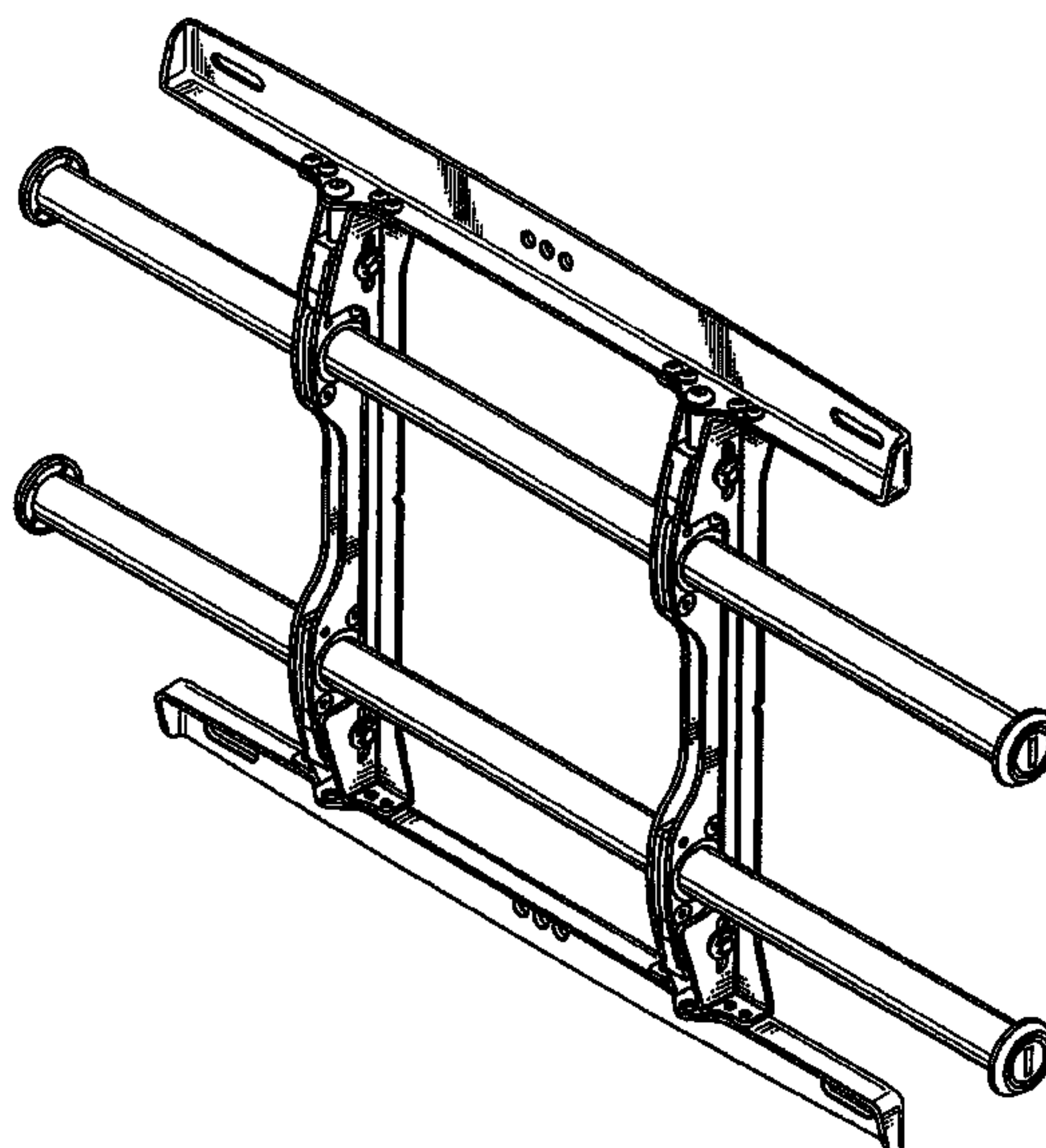
FIG. 4 is a side elevation view of the two-rail mount for electronic display depicted in FIG. 1;

FIG. 5 is an opposing side elevation view of the two-rail mount for electronic display depicted in FIG. 1;

FIG. 6 is a top plan view of the two-rail mount for electronic display depicted in FIG. 1; and,

FIG. 7 is a bottom plan view of the two-rail mount for electronic display depicted in FIG. 1.

1 Claim, 5 Drawing Sheets



US D595,277 S

Page 2

U.S. PATENT DOCUMENTS

6,061,104	A	5/2000	Evanicky et al.	
6,644,609	B1	11/2003	Scott	
D497,537	S	10/2004	O'Keene et al.	
D520,794	S	5/2006	Grover	
D530,595	S *	10/2006	Lam et al.	D8/373
7,152,836	B2	12/2006	Pfister	
7,178,775	B2	2/2007	Pfister	
D538,632	S *	3/2007	Ly Hau et al.	D8/363
D539,128	S *	3/2007	Ly Hau et al.	D8/373
D539,636	S	4/2007	Bremmon	
D539,637	S *	4/2007	Ly Hau et al.	D8/373
D540,154	S	4/2007	Bremmon	
D545,604	S	7/2007	Eyman et al.	
D546,103	S	7/2007	Eyman et al.	
D549,232	S	8/2007	Li et al.	
D553,125	S *	10/2007	Ly Hau et al.	D14/239
D553,483	S *	10/2007	Grey	D8/380
7,300,029	B2	11/2007	Petrick	
D560,411	S	1/2008	Chung	
D560,670	S *	1/2008	Anderson et al.	D14/451
D560,671	S *	1/2008	Muday et al.	D14/451
D560,672	S	1/2008	Muday et al.	
D561,562	S	2/2008	Wohlford	
D561,775	S	2/2008	Wohlford	
D563,416	S	3/2008	Bremmon	
D563,962	S	3/2008	Grey	
D565,054	S	3/2008	Anderson et al.	
D565,399	S	4/2008	Grey	
2006/0291152	A1 *	12/2006	Bremmon	361/681
2007/0023593	A1	2/2007	Fedewa	
2007/0193481	A1	8/2007	Wiebe et al.	
2008/0054147	A1	3/2008	Muday et al.	

OTHER PUBLICATIONS

U.S. Appl. No. 29/282,349, filed Jul. 17, 2007, Russell.
U.S. Appl. No. 29/299,833, filed Jan. 4, 2008, Bremmon et al.
Instruction Manual for Superior Mount, dated Feb. 1, 2007, pp. 12.

* cited by examiner

Fig. 1

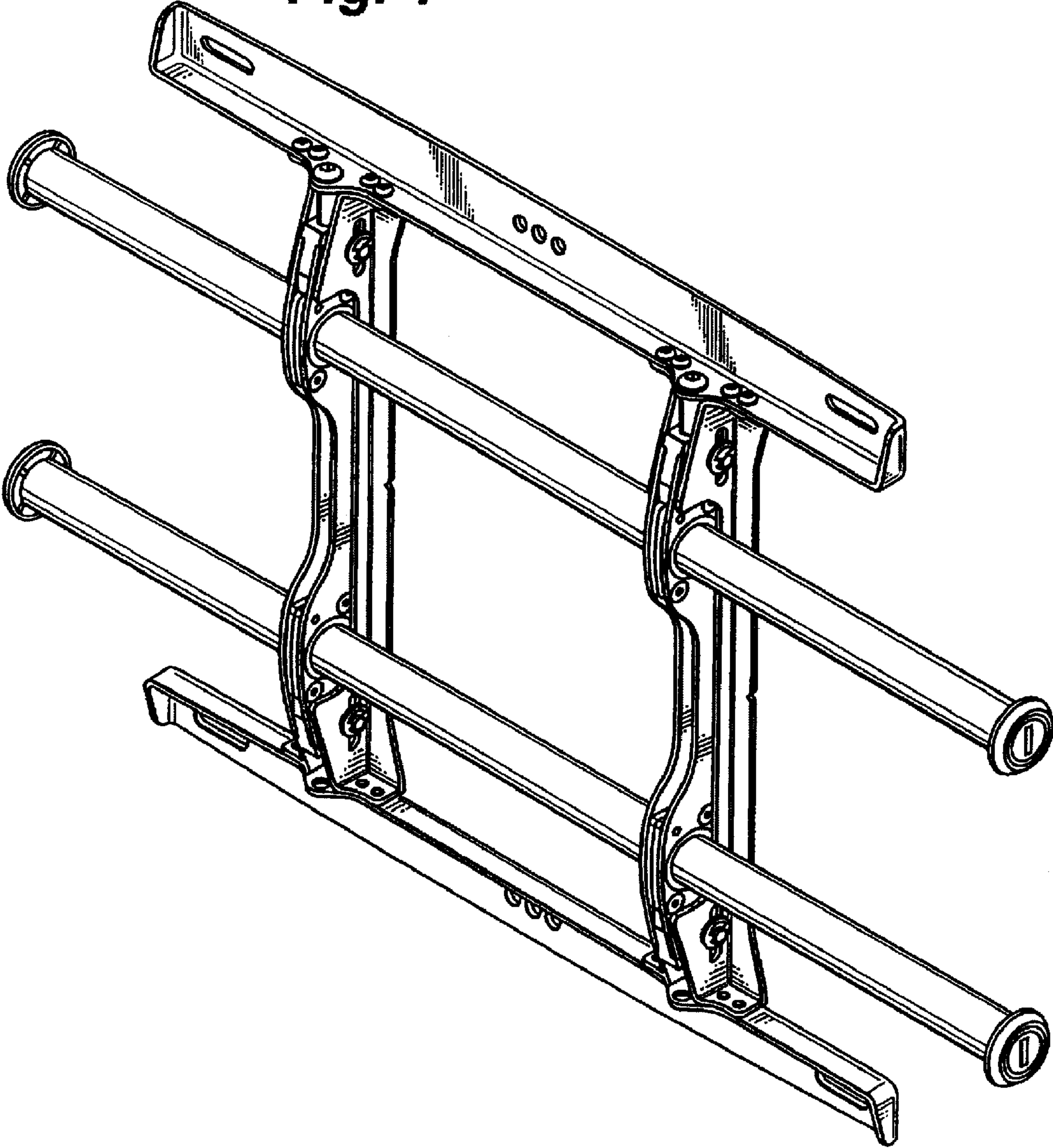


Fig. 2

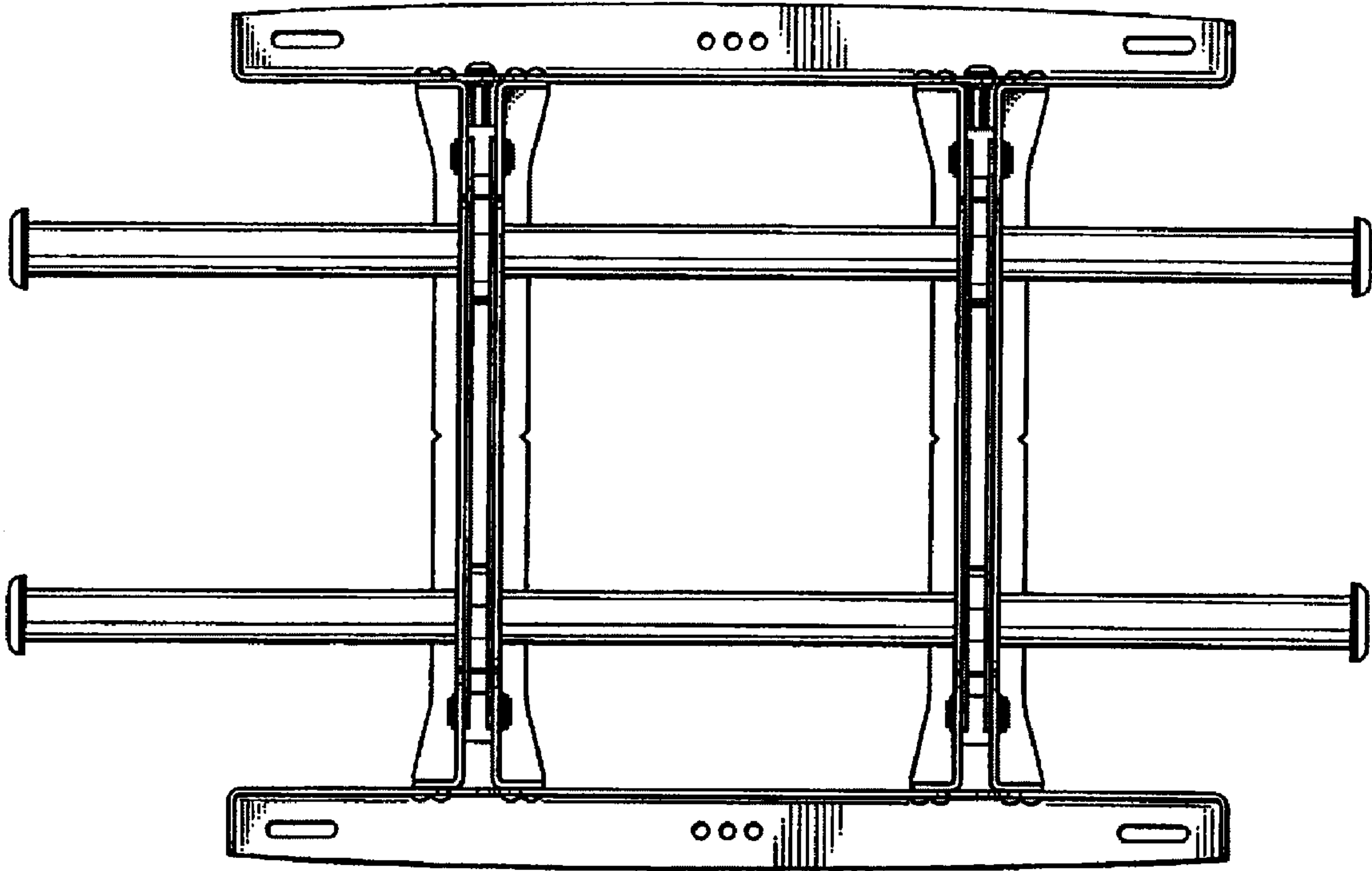


Fig. 3

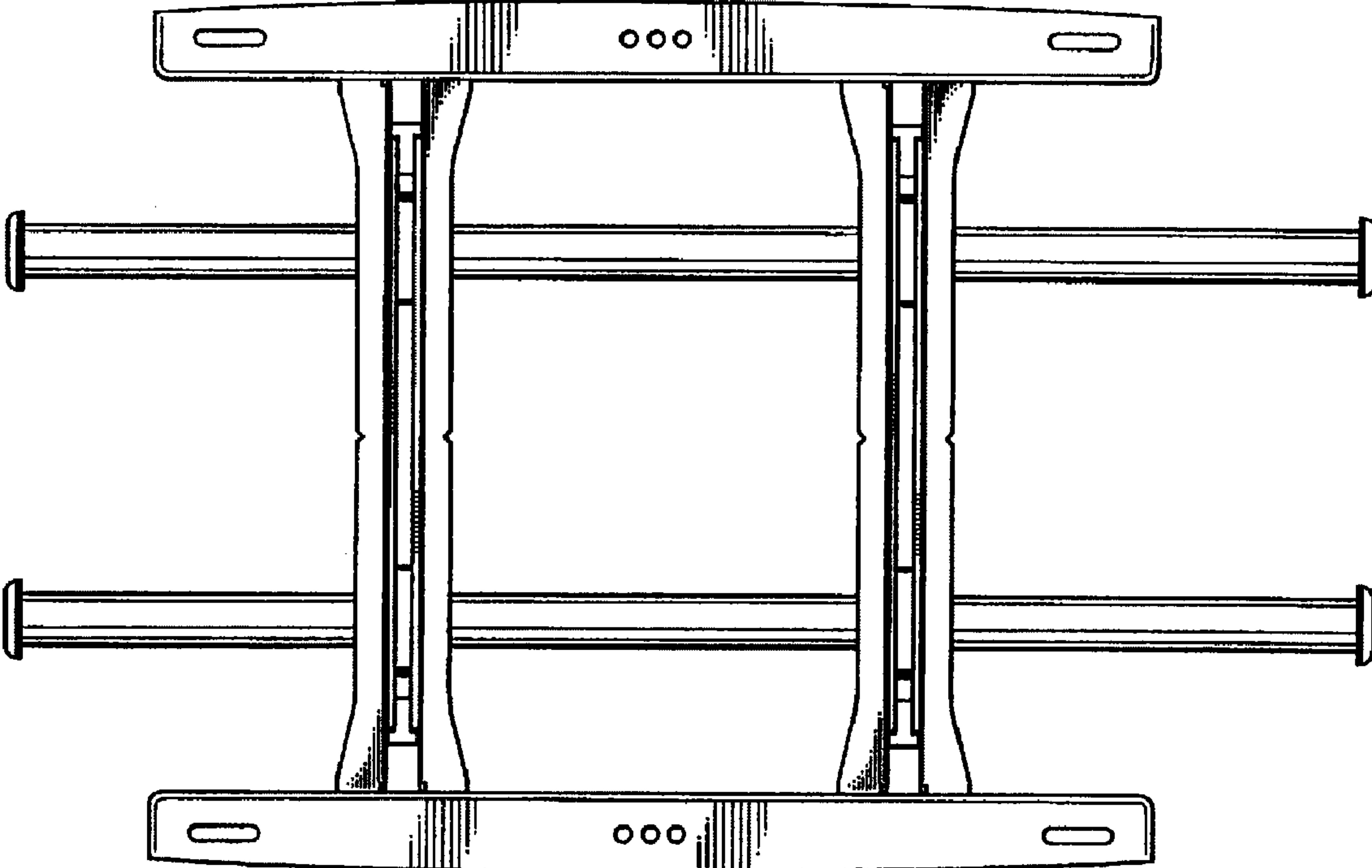


Fig. 4



Fig. 5



Fig. 6

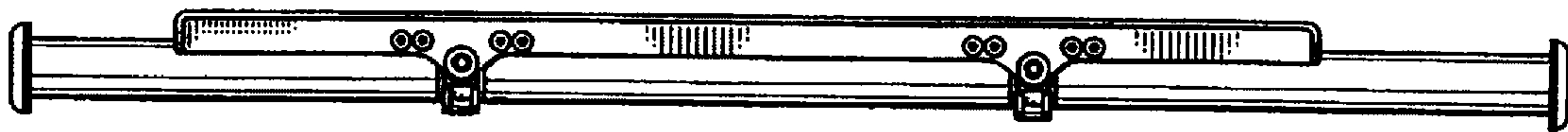


Fig. 7

