



US00D595275S

(12) **United States Design Patent**  
**Skottke**

(10) **Patent No.:** **US D595,275 S**

(45) **Date of Patent:** **\*\* Jun. 30, 2009**

(54) **ANTENNA**

2004/0183734 A1\* 9/2004 Noro ..... 343/713

(75) Inventor: **Patrik Skottke**, Upplands Vasby (SE)

\* cited by examiner

(73) Assignee: **Smarteq Wireless AB**, Enebyberg (SE)

*Primary Examiner*—T. Chase Nelson

*Assistant Examiner*—John Windmuller

(\*\*) Term: **14 Years**

(74) *Attorney, Agent, or Firm*—Jacobson Holman PLLC

(21) Appl. No.: **29/309,014**

(57) **CLAIM**

(22) Filed: **Jun. 11, 2008**

The ornamental design for the antenna, as shown and described.

(30) **Foreign Application Priority Data**

Dec. 11, 2007 (EM) ..... 000840301-0001-0006

**DESCRIPTION**

(51) **LOC (9) Cl.** ..... **14-03**

FIG. 1 is a top, front perspective view of the antenna showing my new design;

(52) **U.S. Cl.** ..... **D14/230**

FIG. 2 is a side elevational view of the antenna shown in FIG. 1;

(58) **Field of Classification Search** ..... D14/230–238,  
D14/299, 358, 240; 343/700 R, 840, 841,  
343/908; 455/3.02, FOR. 215, 575.2; D22/115;  
473/578; D13/184

FIG. 3 is a opposite side elevational view of the antenna shown in FIG. 2;

See application file for complete search history.

FIG. 4 is an end elevational view of the antenna shown in FIG. 1;

(56) **References Cited**

FIG. 5 is an opposite end elevational view of the antenna shown in FIG. 4;

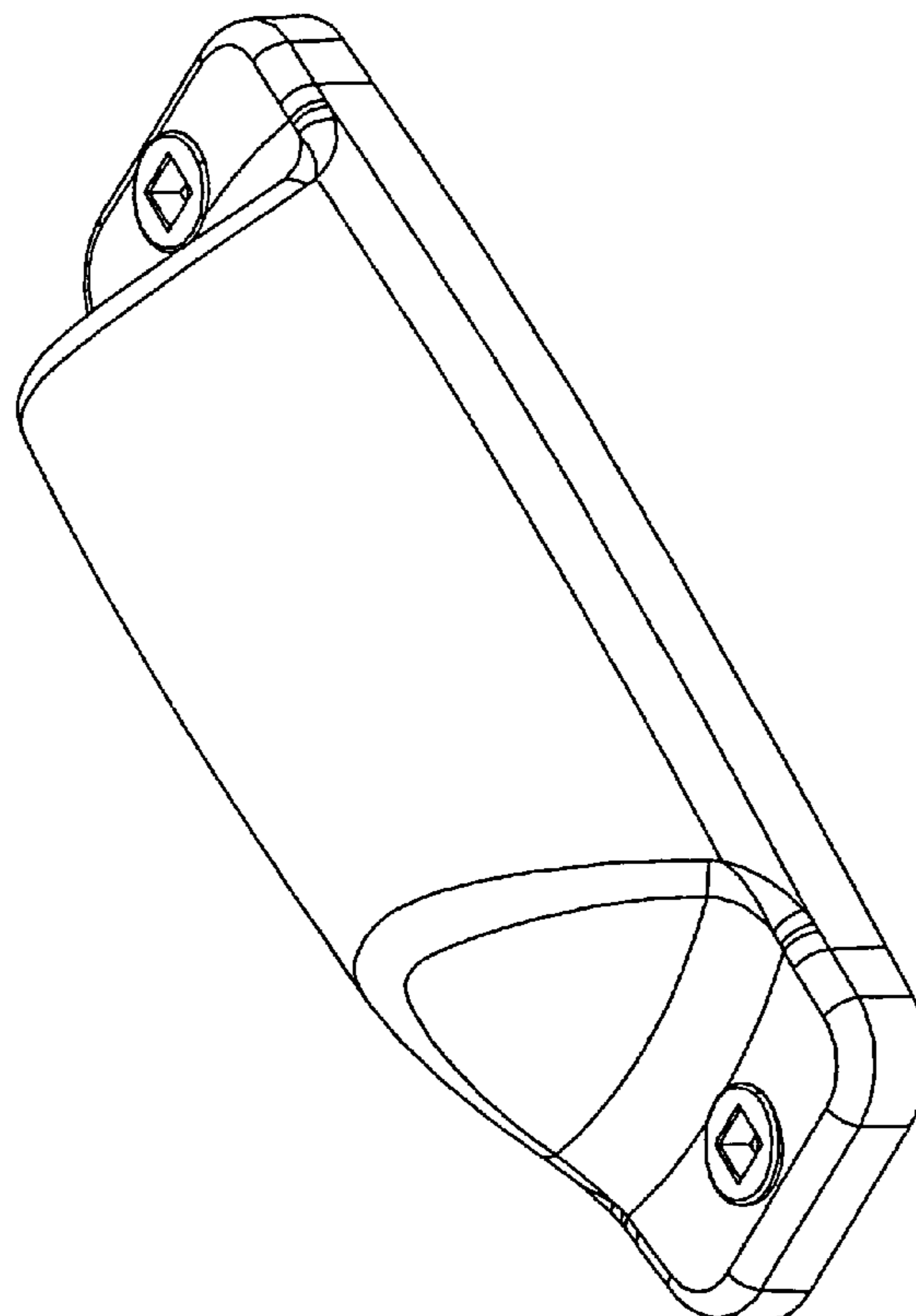
**U.S. PATENT DOCUMENTS**

FIG. 6 is a top plan view of the antenna shown in FIG. 1; and,  
FIG. 7 is a bottom plan view of that antenna shown in FIG. 1.

D211,028 S *	5/1968	Zucconi	.....	D14/230
D327,691 S *	7/1992	Ogawa et al.	.....	D14/230
D372,896 S *	8/1996	Nagele et al.	.....	D13/103
D454,546 S *	3/2002	MacKay	.....	D13/160
D484,163 S *	12/2003	Kim	.....	D16/219
D535,982 S *	1/2007	Inoue	.....	D14/230
D565,534 S *	4/2008	Ingalsbe et al.	.....	D14/155

The broken lines indicate portions of the antenna that form no part of the claimed design.

**1 Claim, 4 Drawing Sheets**



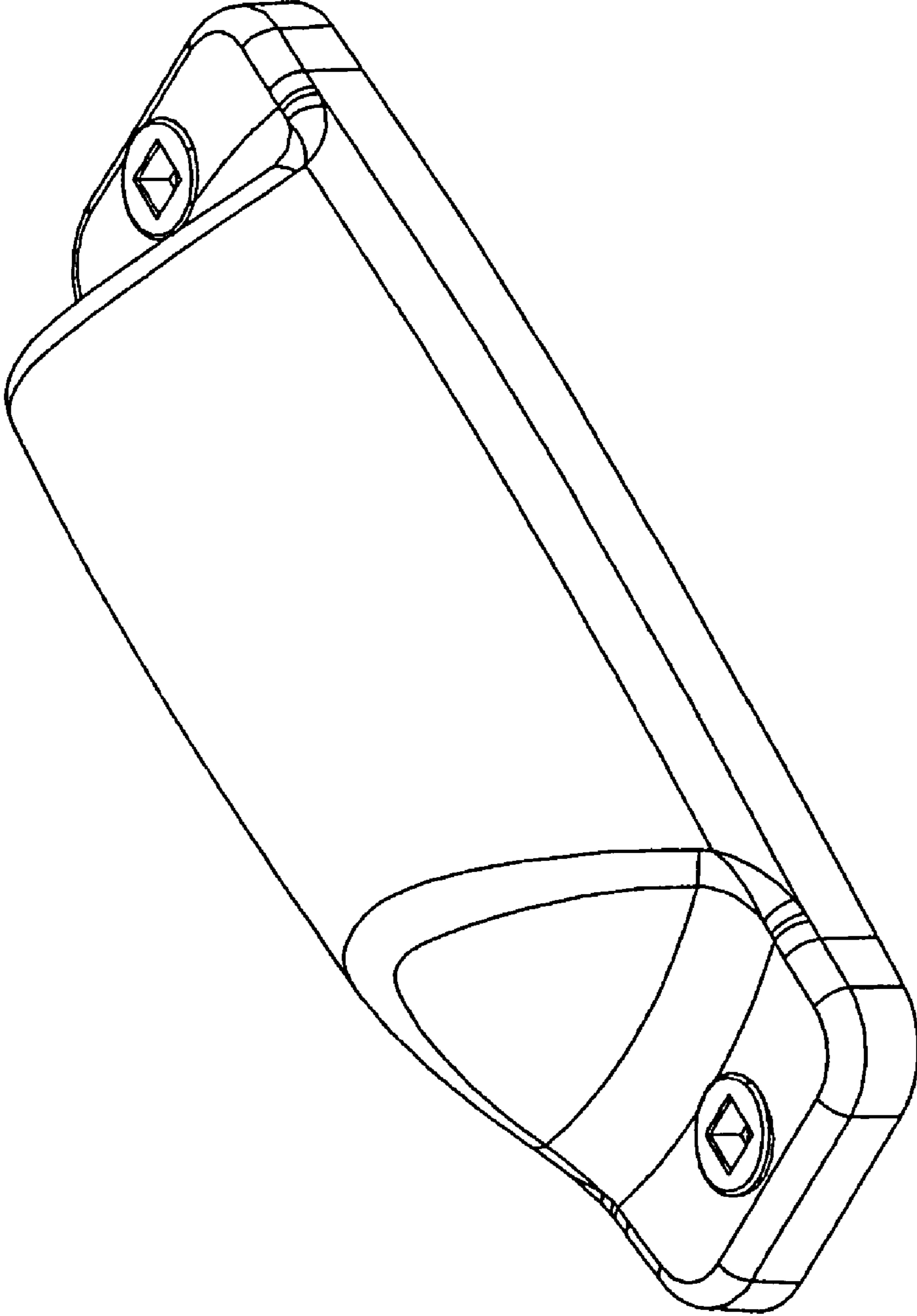


FIG. 1

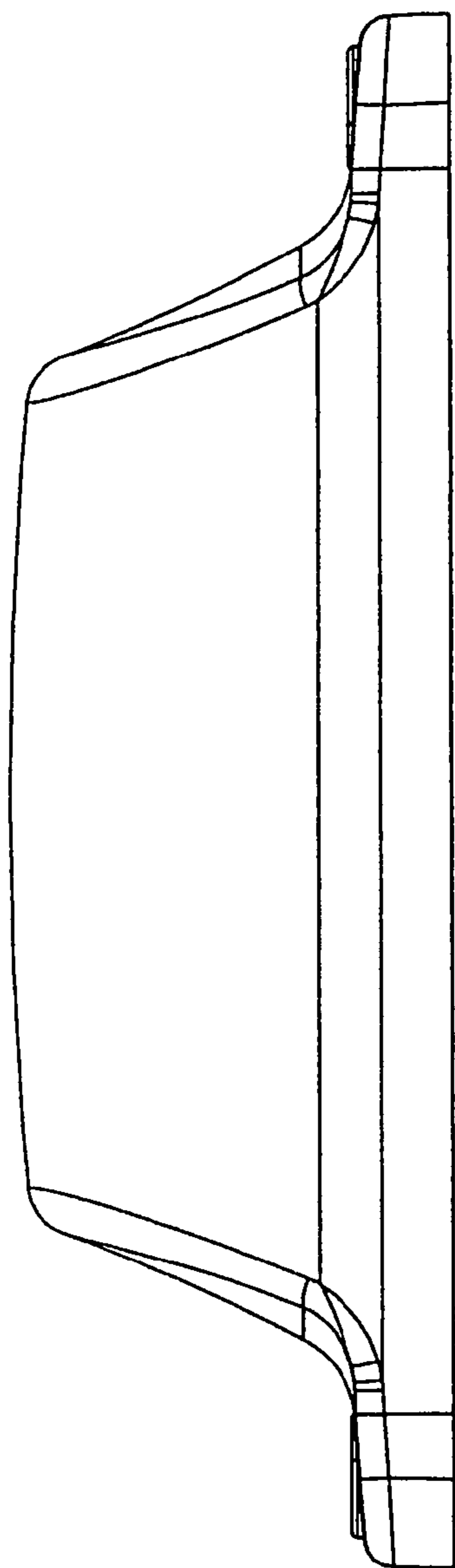


FIG. 2

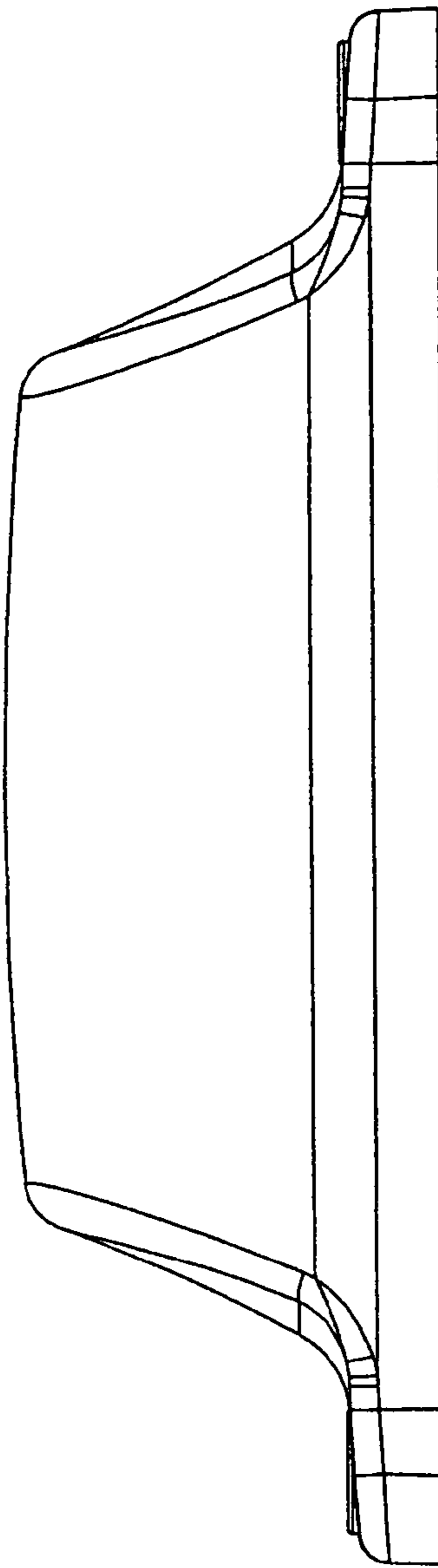


FIG. 3

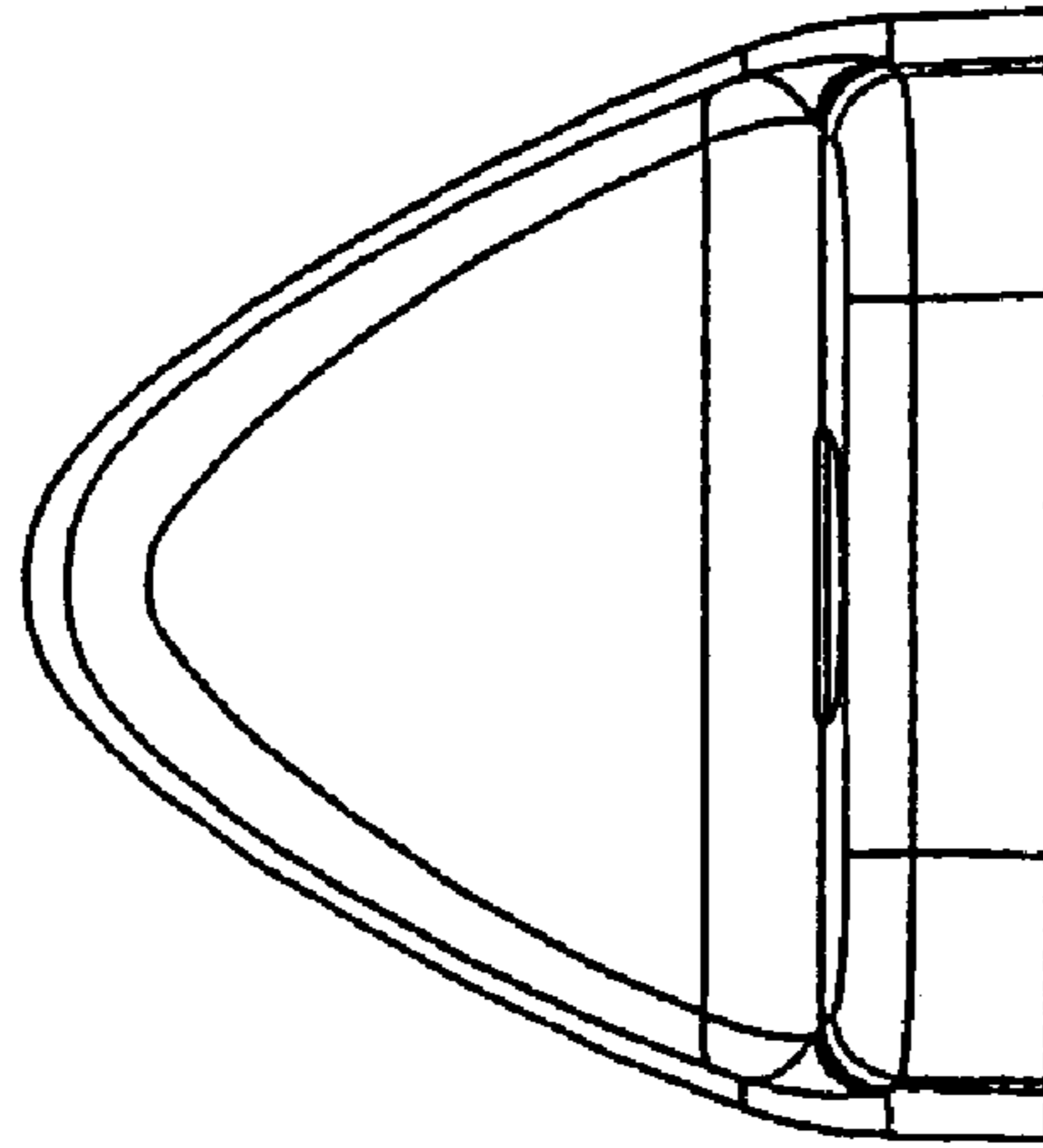


FIG. 4

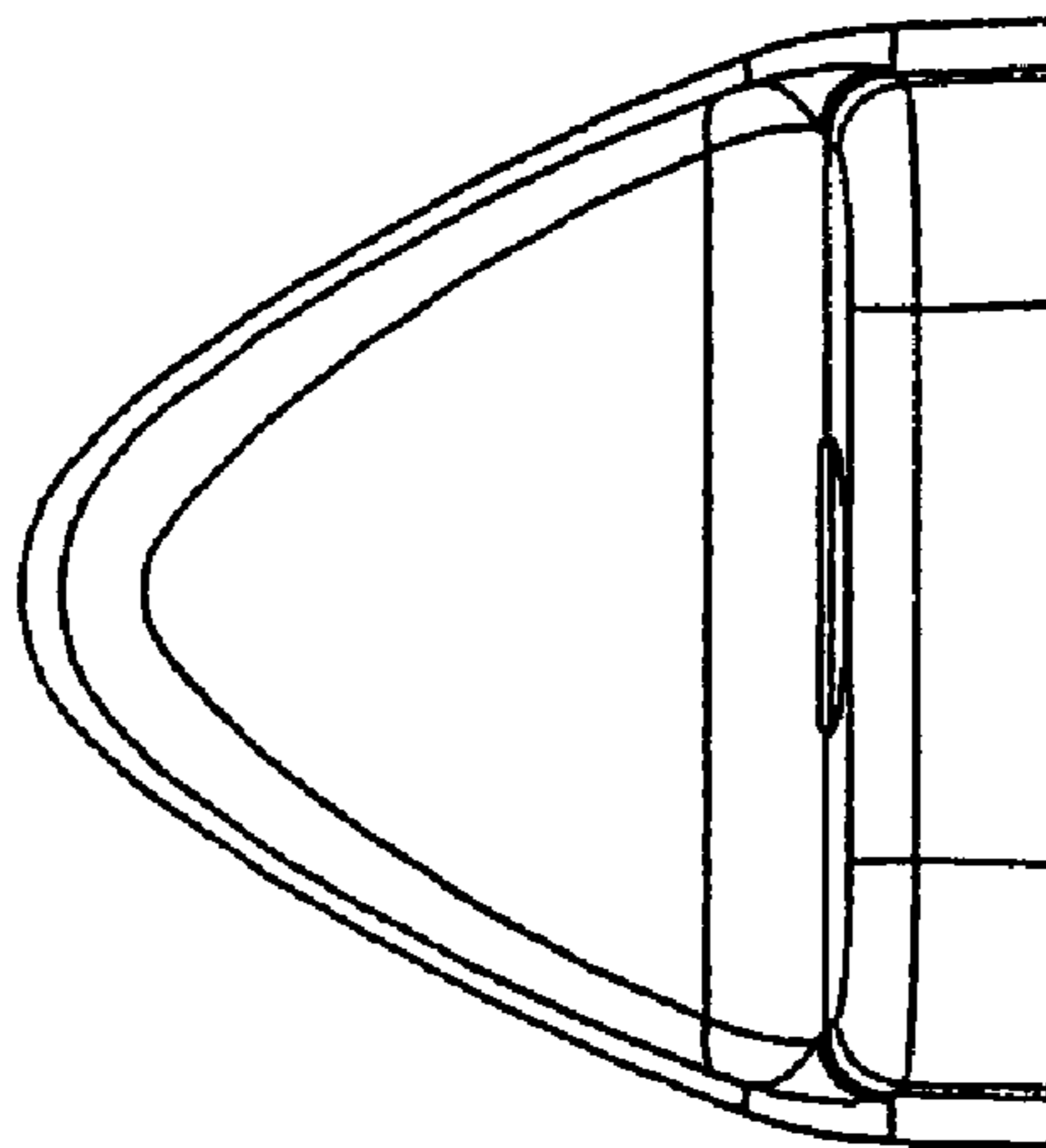


FIG. 5

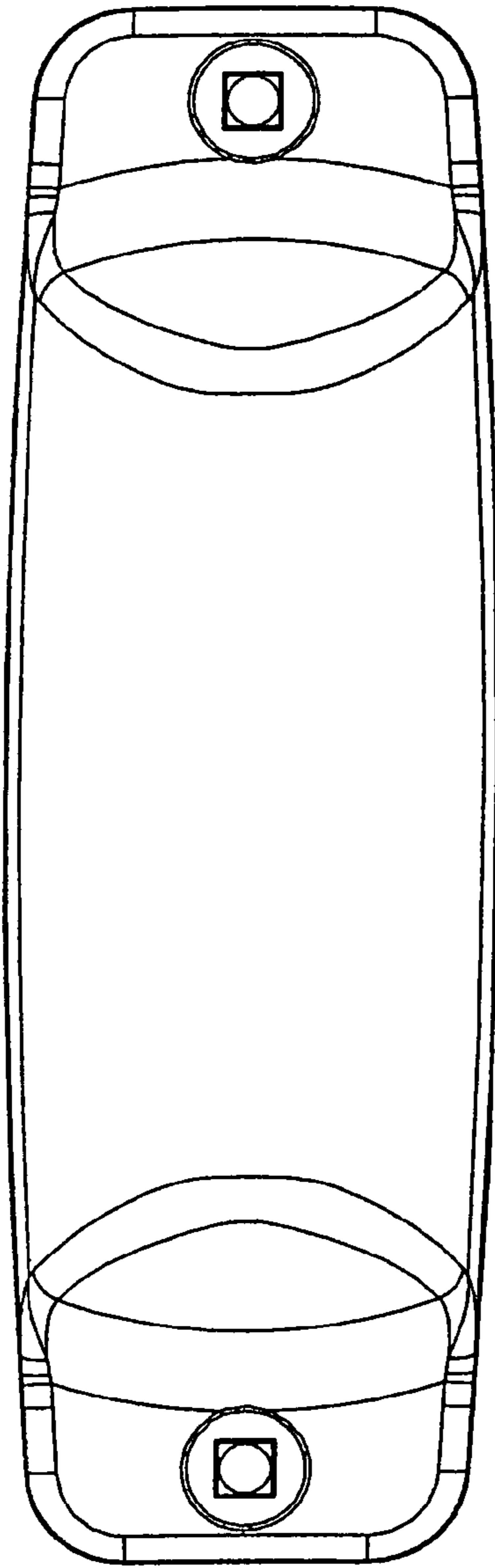


FIG. 6

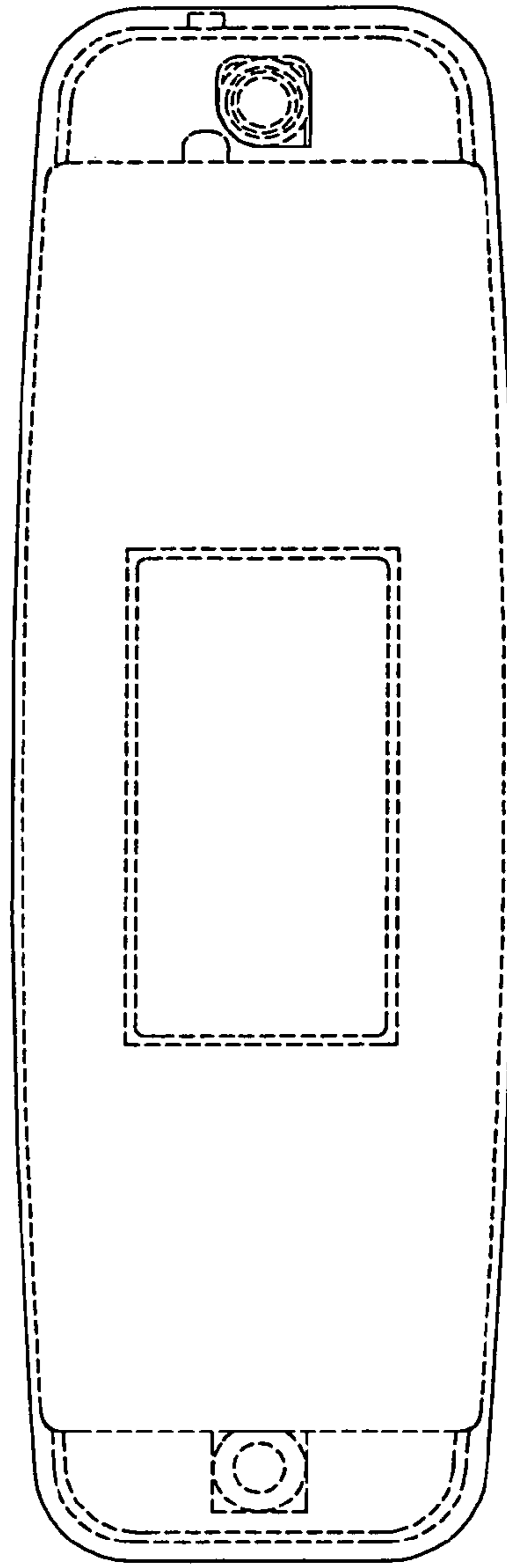


FIG. 7