



US00D595274S

(12) **United States Design Patent**
Skottke et al.

(10) **Patent No.:** **US D595,274 S**

(45) **Date of Patent:** **** Jun. 30, 2009**

(54) **ANTENNA**

(75) Inventors: **Patrik Skottke**, Upplands Vasby (SE);
Mattias Hellgren, Akersberga (SE)

(73) Assignee: **Smarteq Wireless AB**, Enebyberg (SE)

(**) Term: **14 Years**

(21) Appl. No.: **29/309,013**

(22) Filed: **Jun. 11, 2008**

(30) **Foreign Application Priority Data**

Dec. 11, 2007 (EM) 000840301-0001-0006

(51) **LOC (9) Cl.** **14-03**

(52) **U.S. Cl.** **D14/230**

(58) **Field of Classification Search** D14/230-238,
D14/299, 358, 240; 343/700 R, 840, 841,
343/908; 455/3.02, FOR. 215, 575.2; D22/115;
473/578; D13/184

See application file for complete search history.

(56) **References Cited**

U.S. PATENT DOCUMENTS

D147,106 S *	7/1947	Bradstock et al.	D13/184
D327,691 S *	7/1992	Ogawa et al.	D14/230
D383,801 S *	9/1997	Oikawa	D21/333
D401,226 S *	11/1998	Inoko	D13/184
D406,590 S *	3/1999	Heiligenstein et al.	D14/230
D419,136 S *	1/2000	Tomizawa	D13/147
D424,028 S *	5/2000	Vaiani	D13/184
D429,720 S *	8/2000	Strand	D14/230
D454,546 S *	3/2002	MacKay	D13/160
D473,335 S *	4/2003	Brohard et al.	D26/113

D484,163 S *	12/2003	Kim	D16/219
D486,829 S *	2/2004	Wang et al.	D14/433
D535,982 S *	1/2007	Inoue	D14/230
D565,534 S *	4/2008	Ingalsbe et al.	D14/155
D569,866 S *	5/2008	Turpault et al.	D14/385
2004/0183734 A1 *	9/2004	Noro	343/713

* cited by examiner

Primary Examiner—T. Chase Nelson

Assistant Examiner—John Windmuller

(74) *Attorney, Agent, or Firm*—Jacobson Holman PLLC

(57) **CLAIM**

The ornamental design for the antenna, as shown and described.

DESCRIPTION

FIG. 1 is a top, front perspective view of the antenna showing my new design;

FIG. 2 is a side elevational view of the antenna shown in FIG. 1;

FIG. 3 is a opposite side elevational view of the antenna shown in FIG. 2;

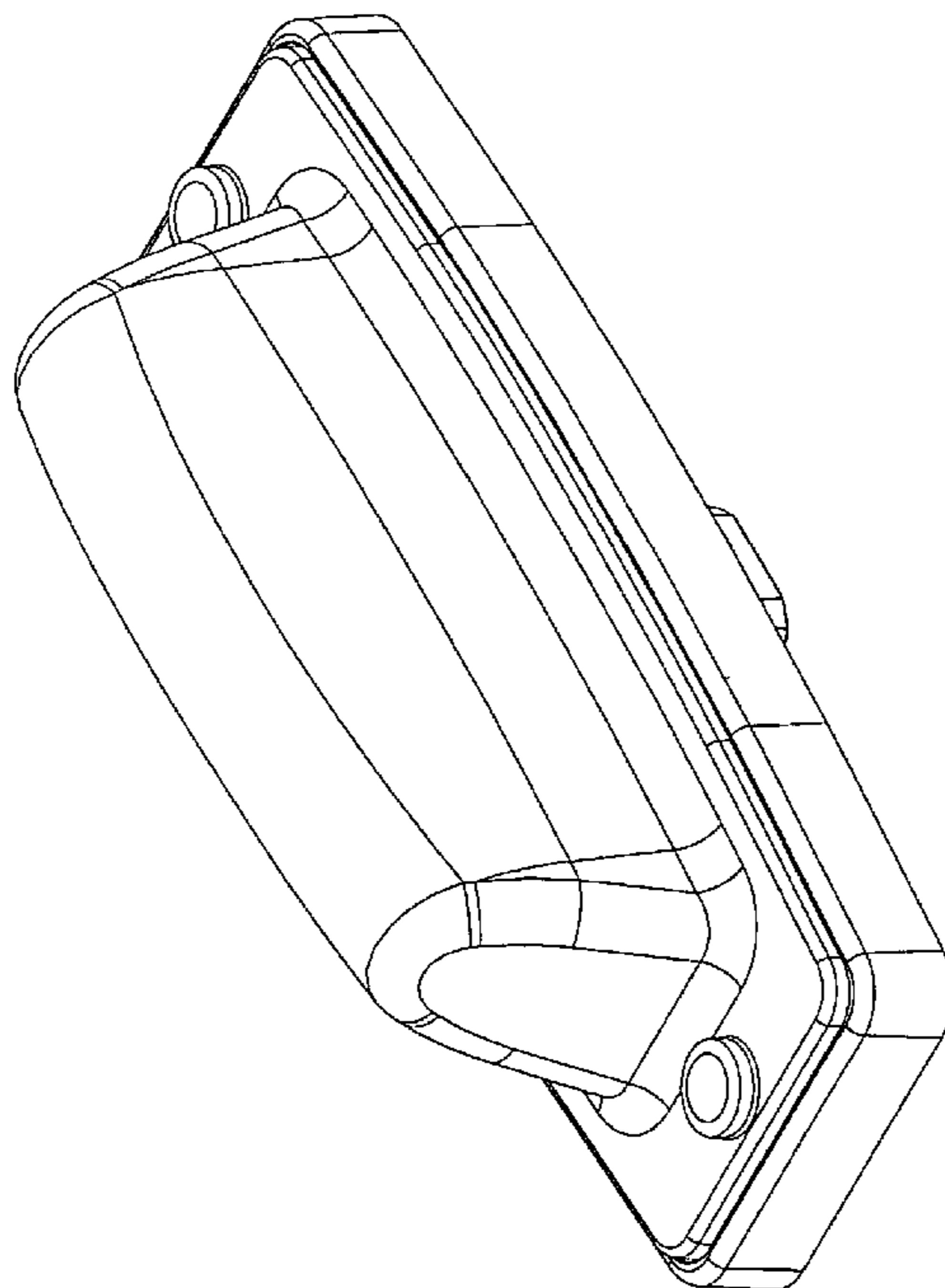
FIG. 4 is an end elevational view of the antenna shown in FIG. 1;

FIG. 5 is an opposite end elevational view of the antenna shown in FIG. 4;

FIG. 6 is a top plan view of the antenna shown in FIG. 1; and, FIG. 7 is a bottom plan view of that antenna shown in FIG. 1.

The broken lines indicate portions of the antenna that form no part of the claimed design.

1 Claim, 4 Drawing Sheets



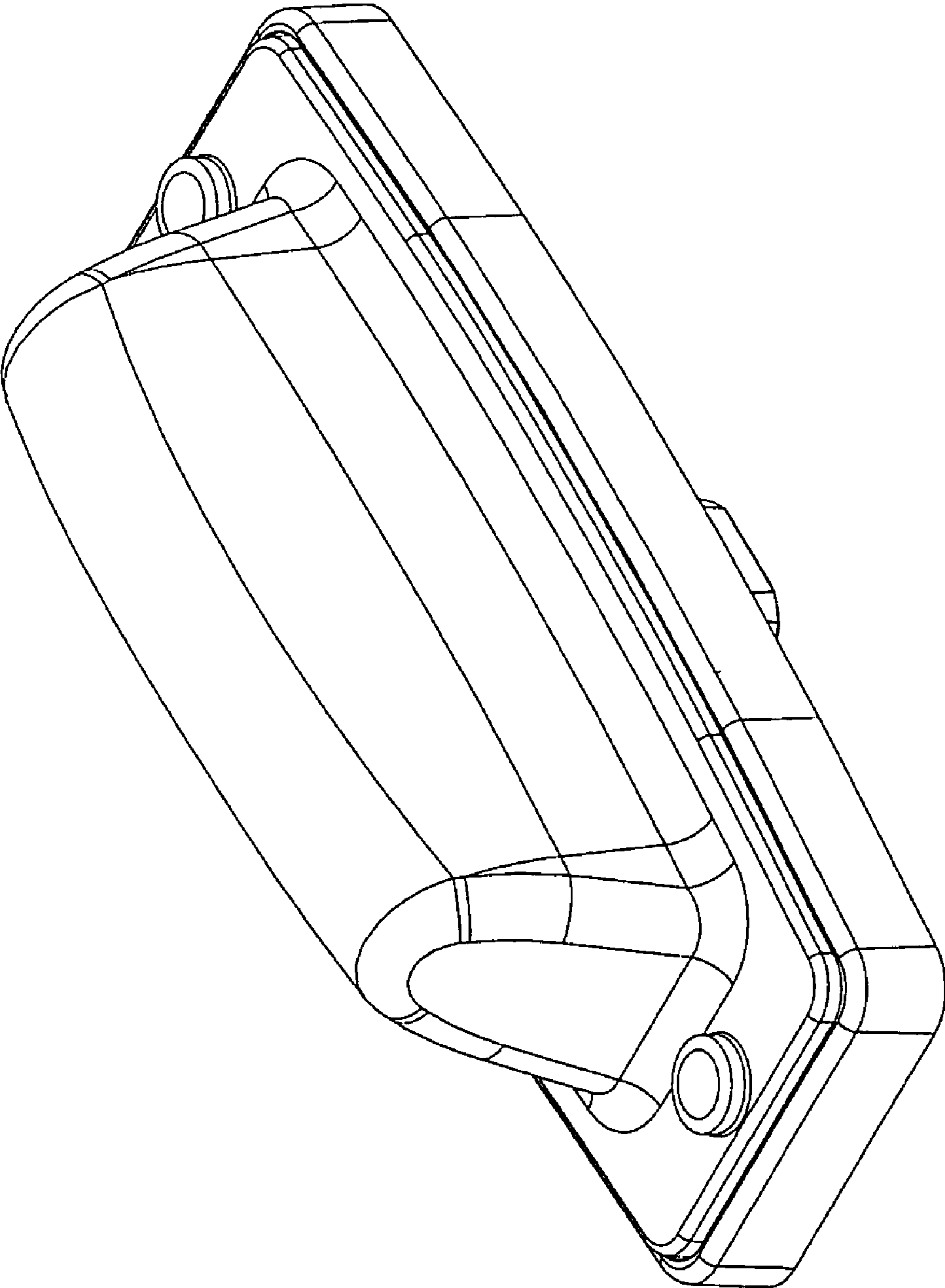


FIG. 1

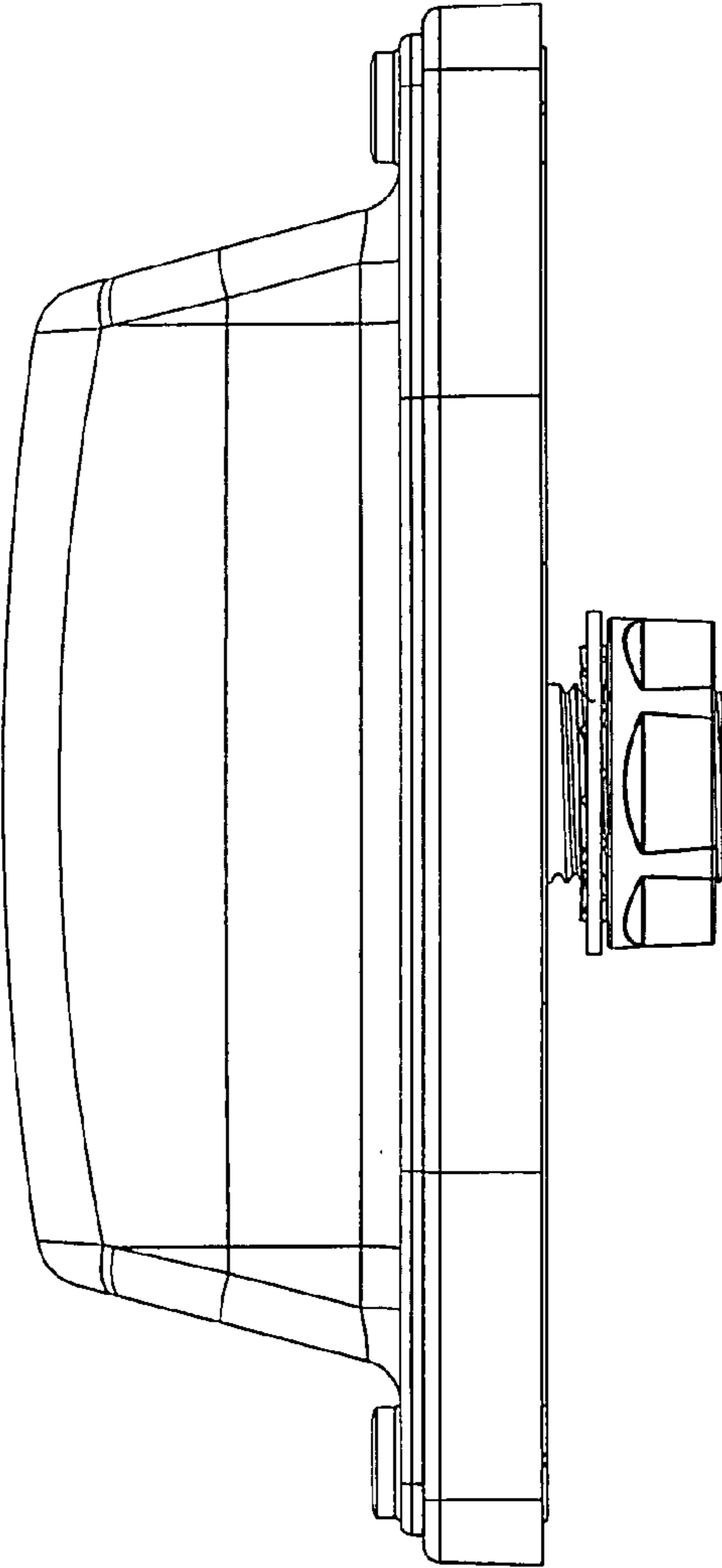


FIG. 2

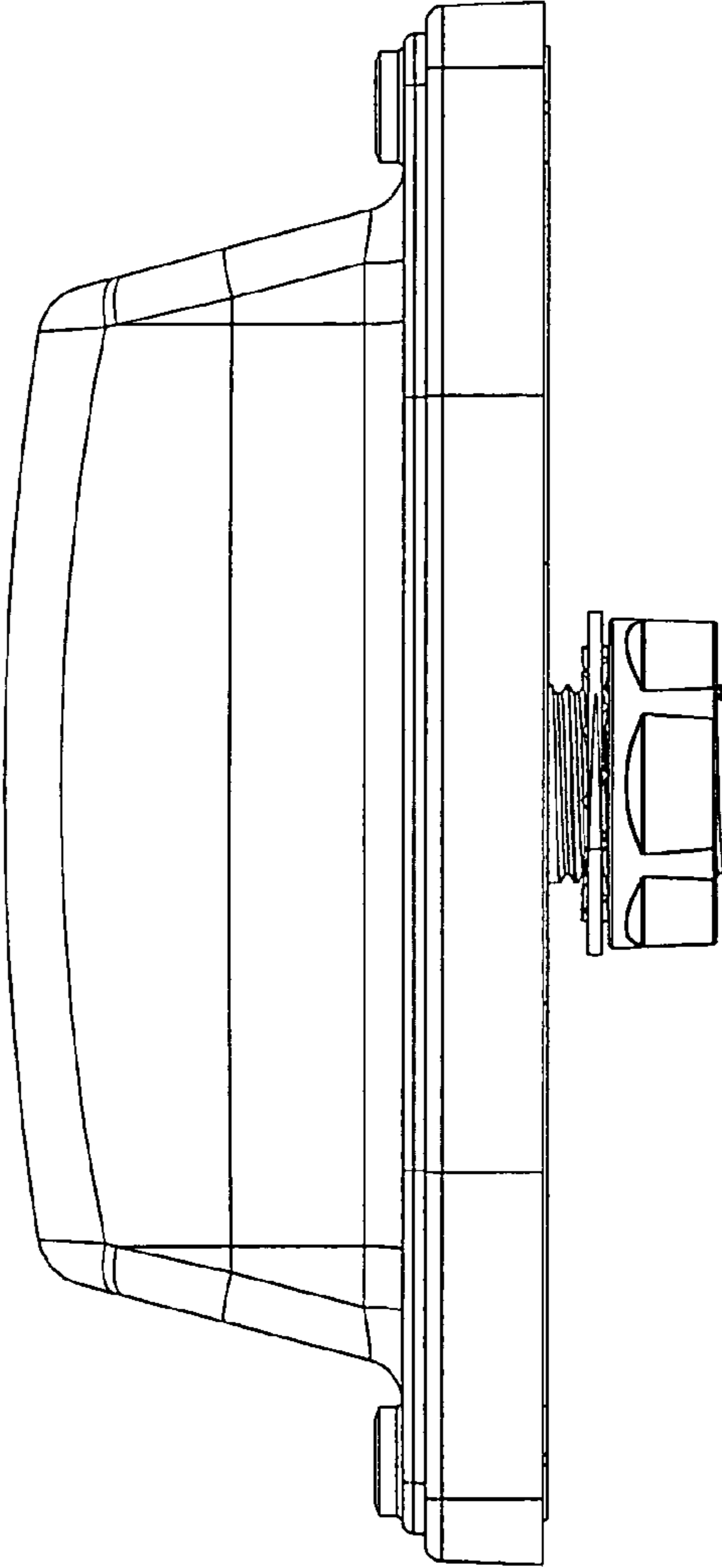


FIG. 3

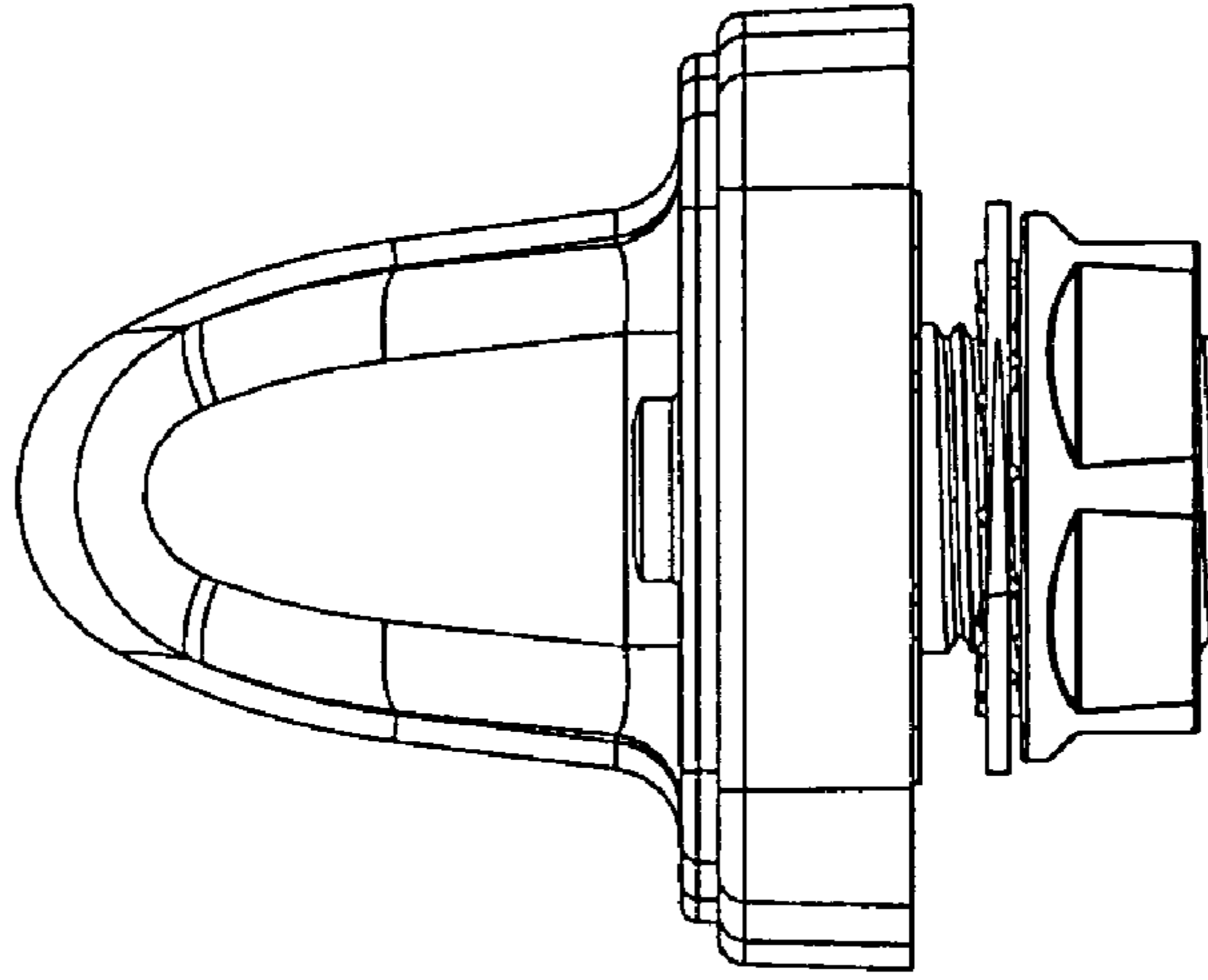


FIG. 4

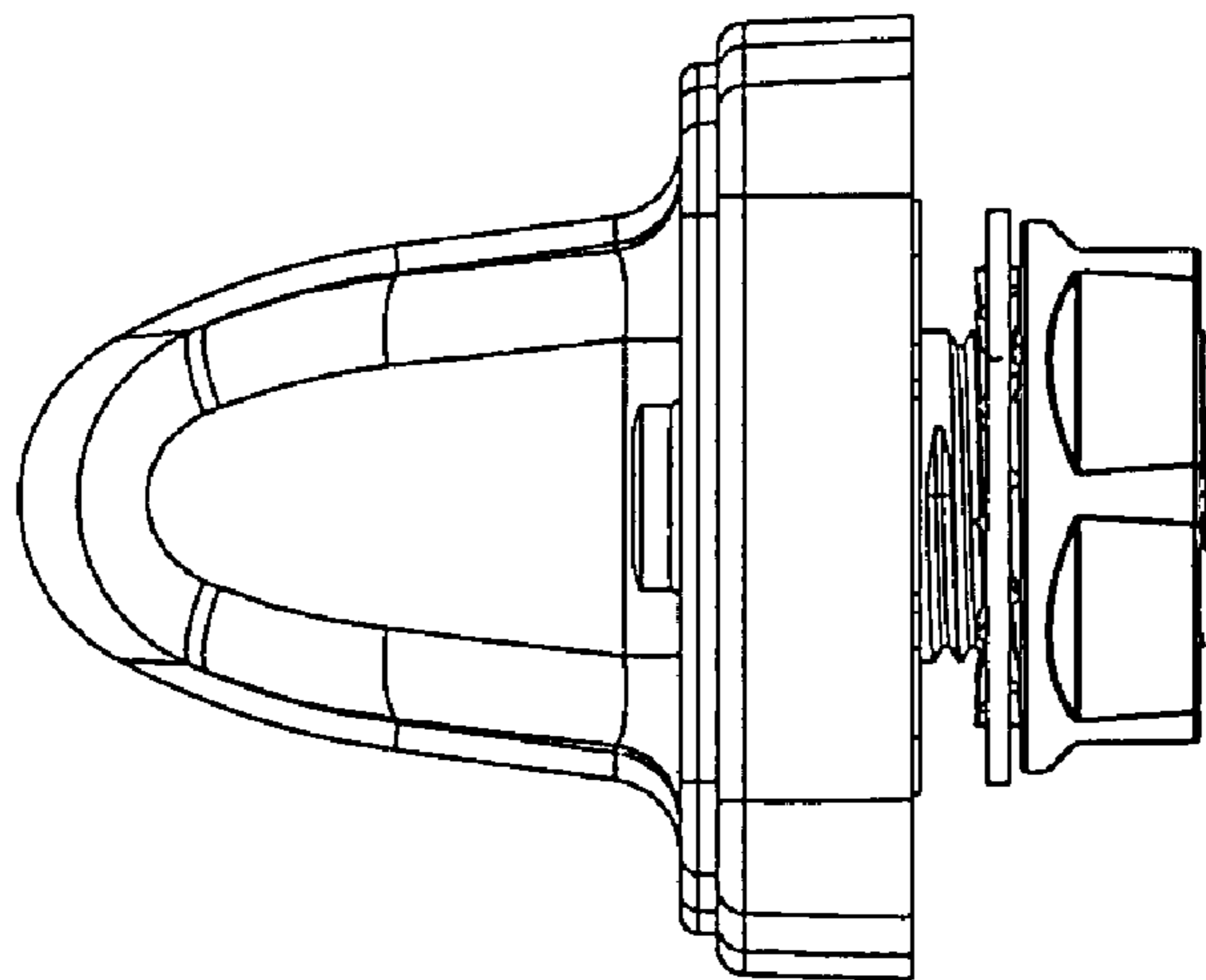


FIG. 5

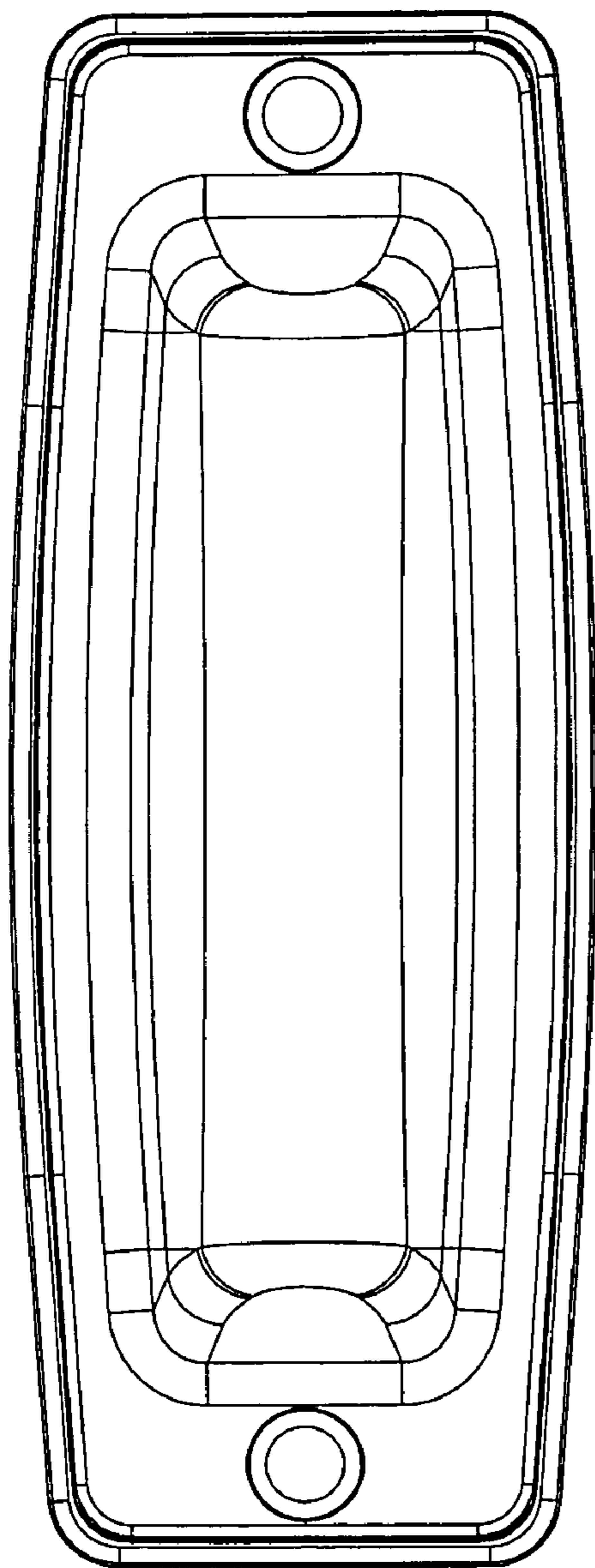


FIG. 6

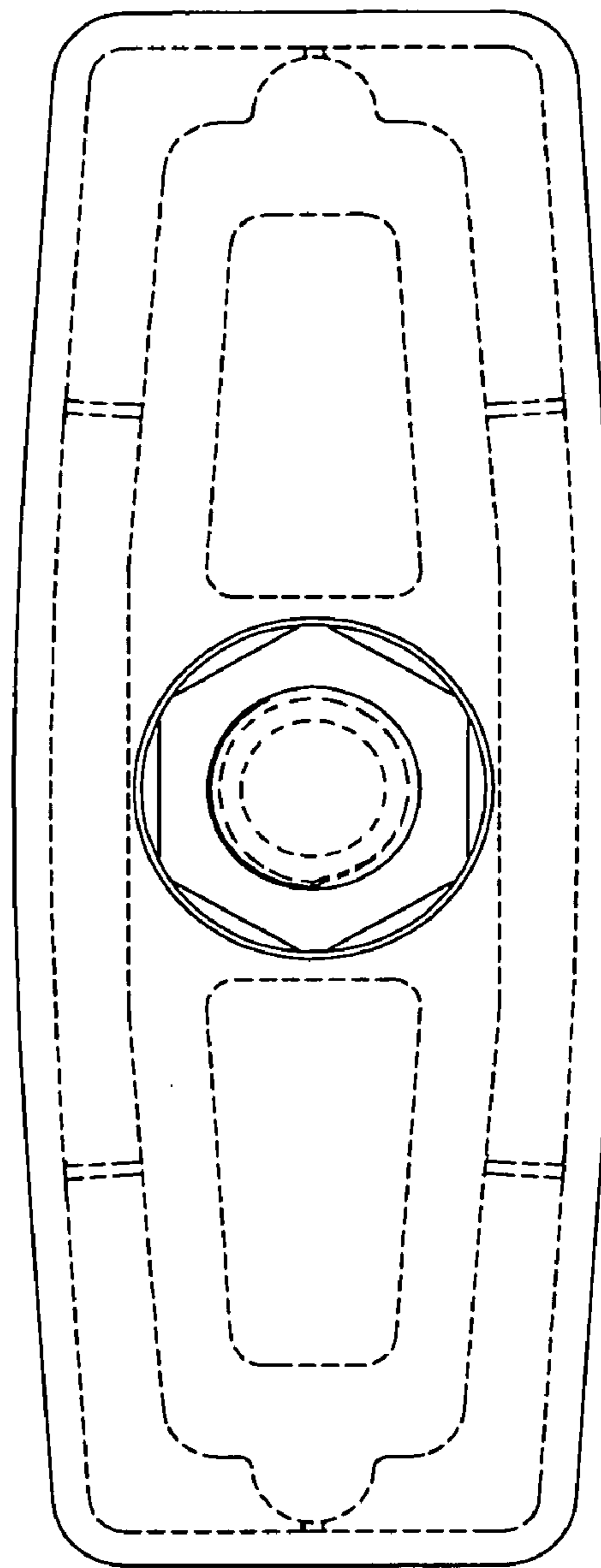


FIG. 7