



US00D595273S

(12) **United States Design Patent**
Kim et al.

(10) **Patent No.:** **US D595,273 S**
(45) **Date of Patent:** **** Jun. 30, 2009**

(54) **EARSET**

(75) Inventors: **Jin-Nam Kim**, Seoul (KR); **Chol-Ho Hwang**, Suwon-si (KR); **Gee-Hong Yoon**, Seongnam-si (KR)

(73) Assignee: **Samsung Electronics Co., Ltd.**, Suwon-Si (KR)

(**) Term: **14 Years**

(21) Appl. No.: **29/322,252**

(22) Filed: **Jul. 31, 2008**

(51) **LOC (9) Cl.** **14-01**

(52) **U.S. Cl.** **D14/223**

(58) **Field of Classification Search** D14/205,
D14/206, 223, 142, 192; 181/129, 130; 379/430,
379/433.01, 433.03, 433.04, 433.11, 433.13;
381/380, 381, 379; 455/575.1, 575.2, 90.1
See application file for complete search history.

(56) **References Cited**

U.S. PATENT DOCUMENTS

D177,346 S *	4/1956	Norris	D14/192
D179,151 S *	11/1956	Norris	D14/192
D213,006 S *	12/1968	Giller	D24/174
D232,778 S *	9/1974	Hagen et al.	D24/107
D479,222 S *	9/2003	Lu	D14/192
7,079,664 B2 *	7/2006	Nassimi	381/380
7,146,197 B2 *	12/2006	Kang et al.	455/575.1
D538,792 S *	3/2007	Kim et al.	D14/223

D542,267 S *	5/2007	Cha et al.	D14/206
D559,836 S *	1/2008	Lee	D14/223
D562,310 S *	2/2008	Moon et al.	D14/223
D566,108 S *	4/2008	Kan	D14/223
D573,983 S *	7/2008	Bang et al.	D14/223
D579,923 S *	11/2008	Andre et al.	D14/223
D582,897 S *	12/2008	Christopher et al.	D14/223
D585,431 S *	1/2009	Bradford et al.	D14/223

* cited by examiner

Primary Examiner—Paula Greene

(74) *Attorney, Agent, or Firm*—Staas & Halsey LLP

(57) **CLAIM**

The ornamental design for an earset, as shown and described.

DESCRIPTION

FIG. 1 is a perspective view of an earset according to our new design;

FIG. 2 is a front elevational view thereof;

FIG. 3 is a rear elevational view thereof;

FIG. 4 is a left side elevational view thereof;

FIG. 5 is a right side elevational view thereof;

FIG. 6 is a top plan view thereof; and,

FIG. 7 is a bottom plan view thereof.

The broken lines in the drawings are for illustrative purpose only and form no part of the claimed design.

1 Claim, 7 Drawing Sheets

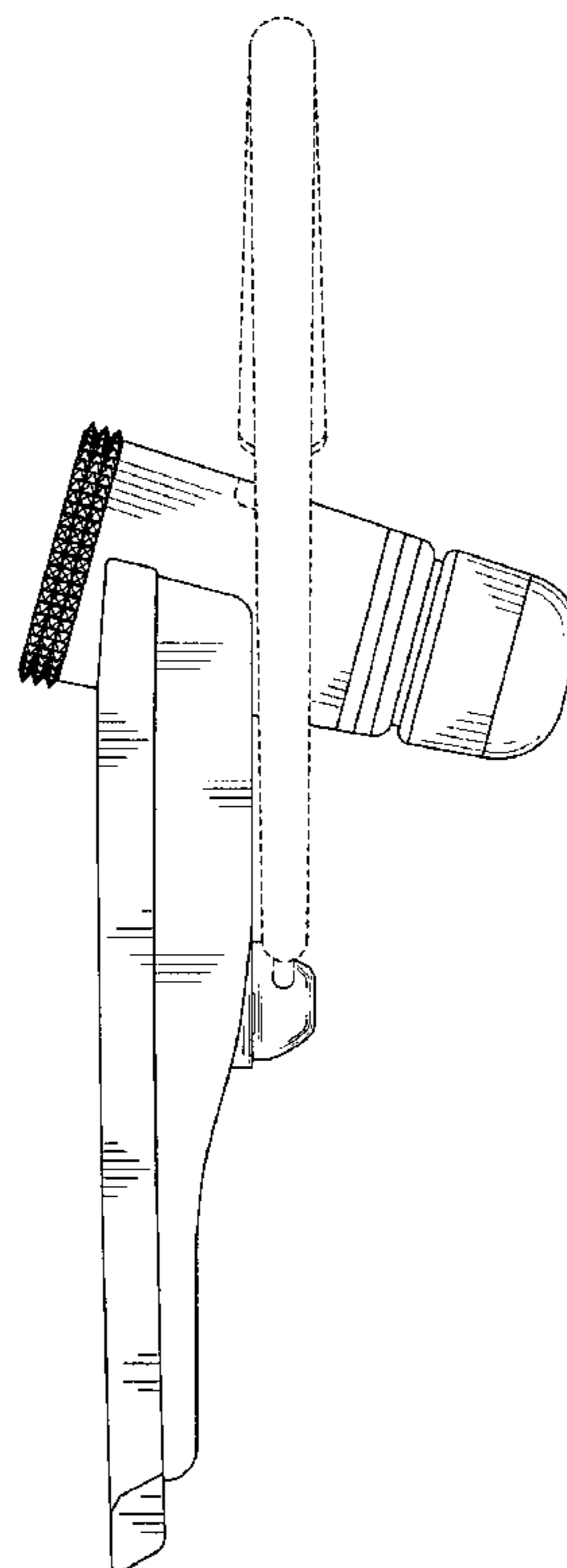
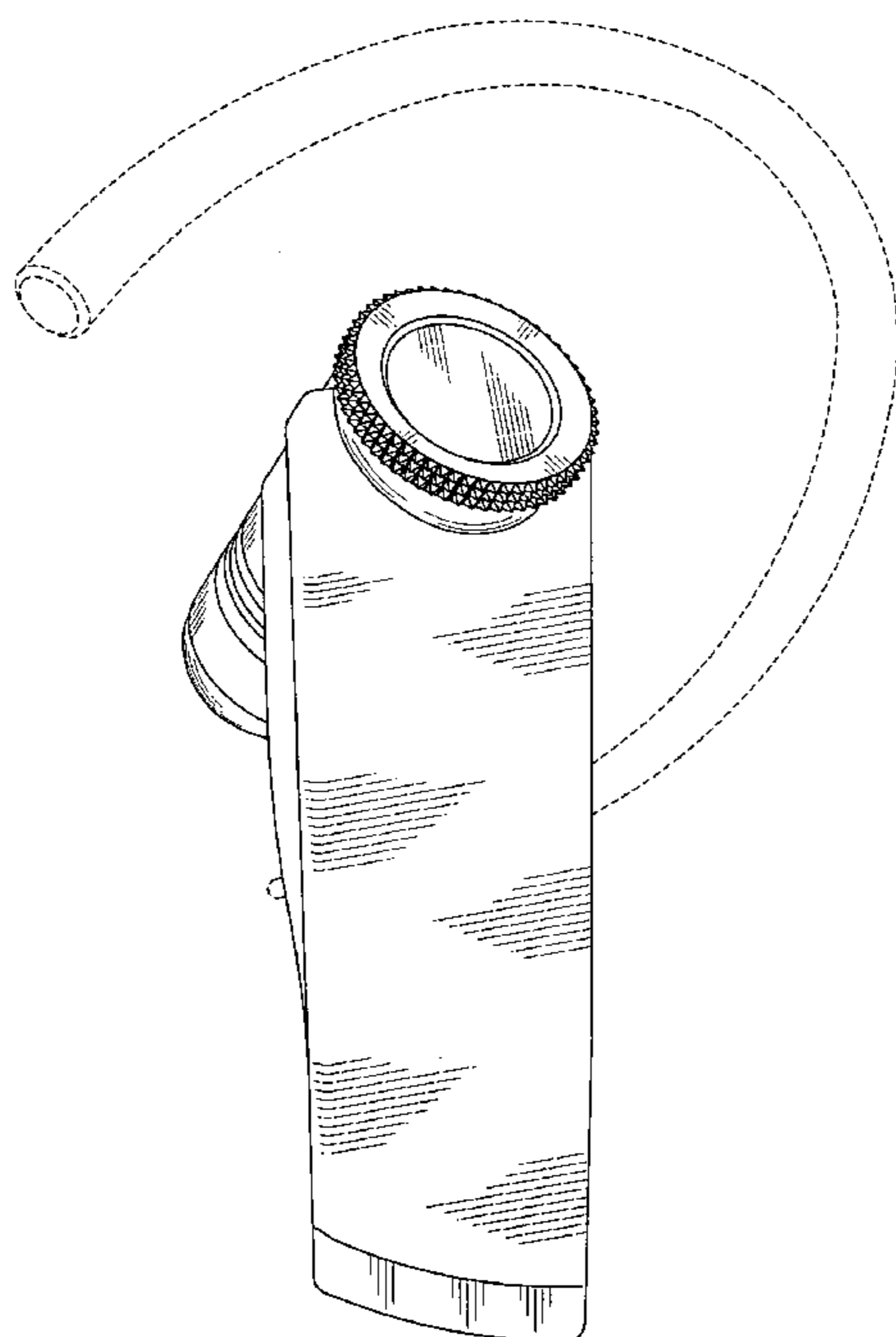


FIG.1

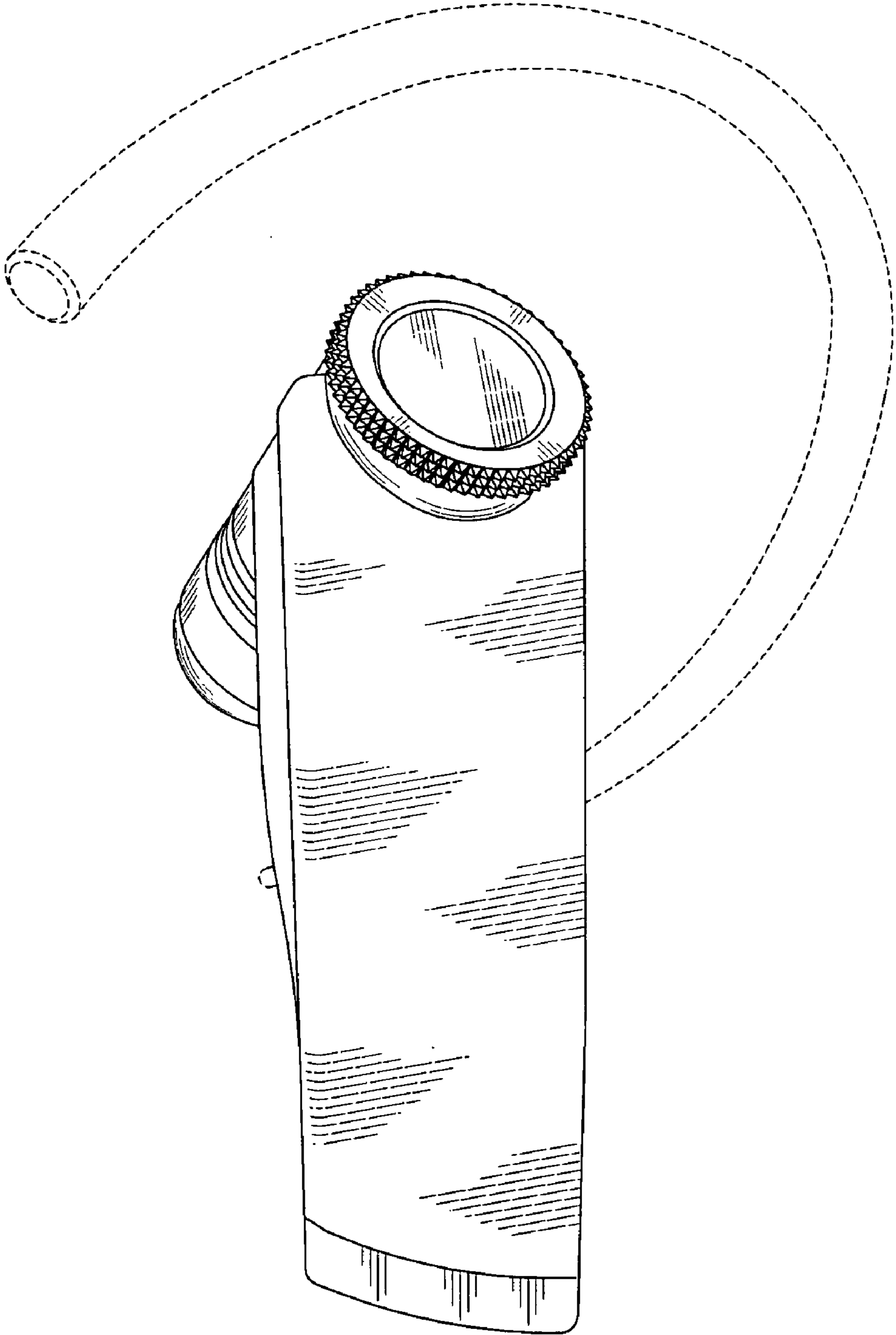


FIG.2

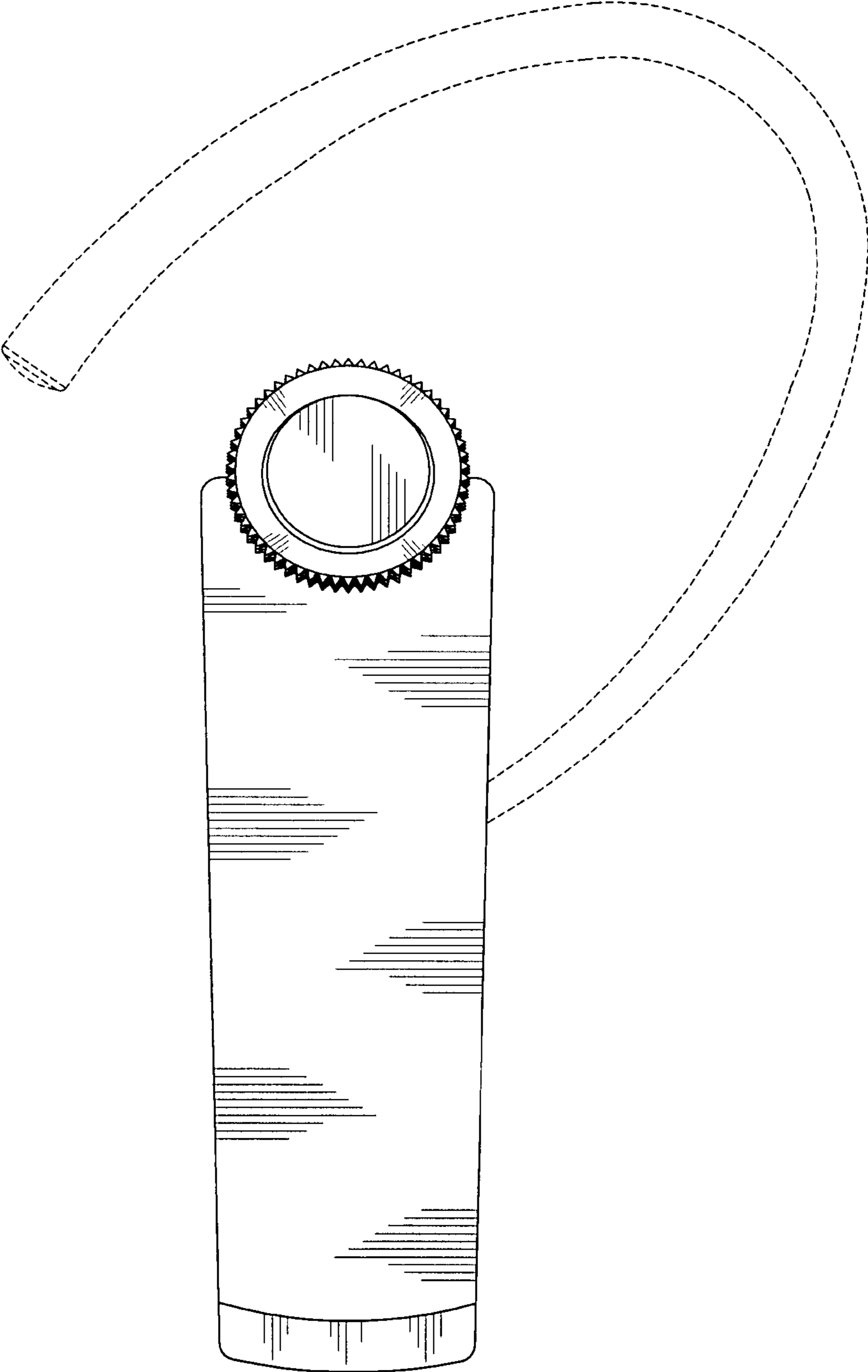


FIG.3

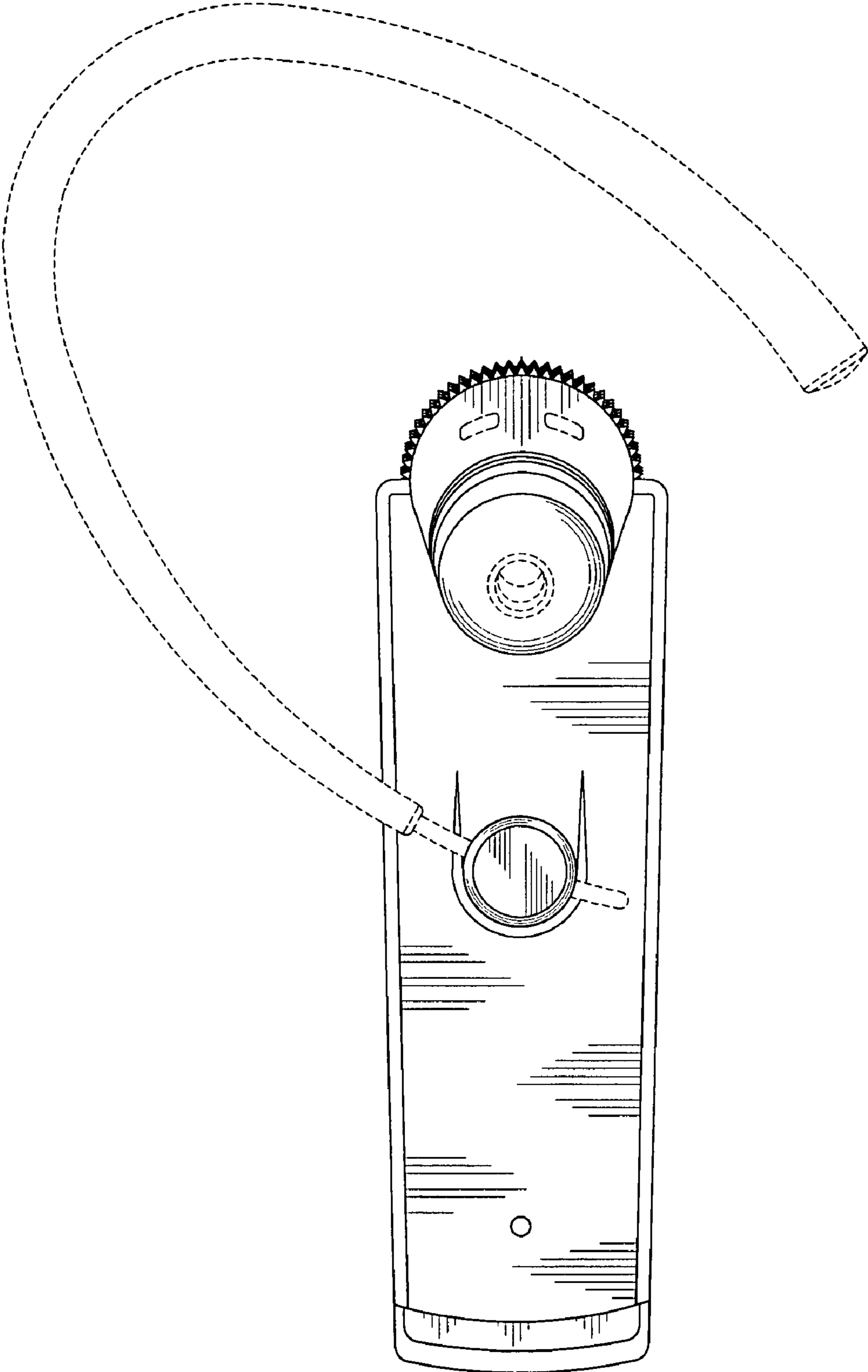


FIG.4

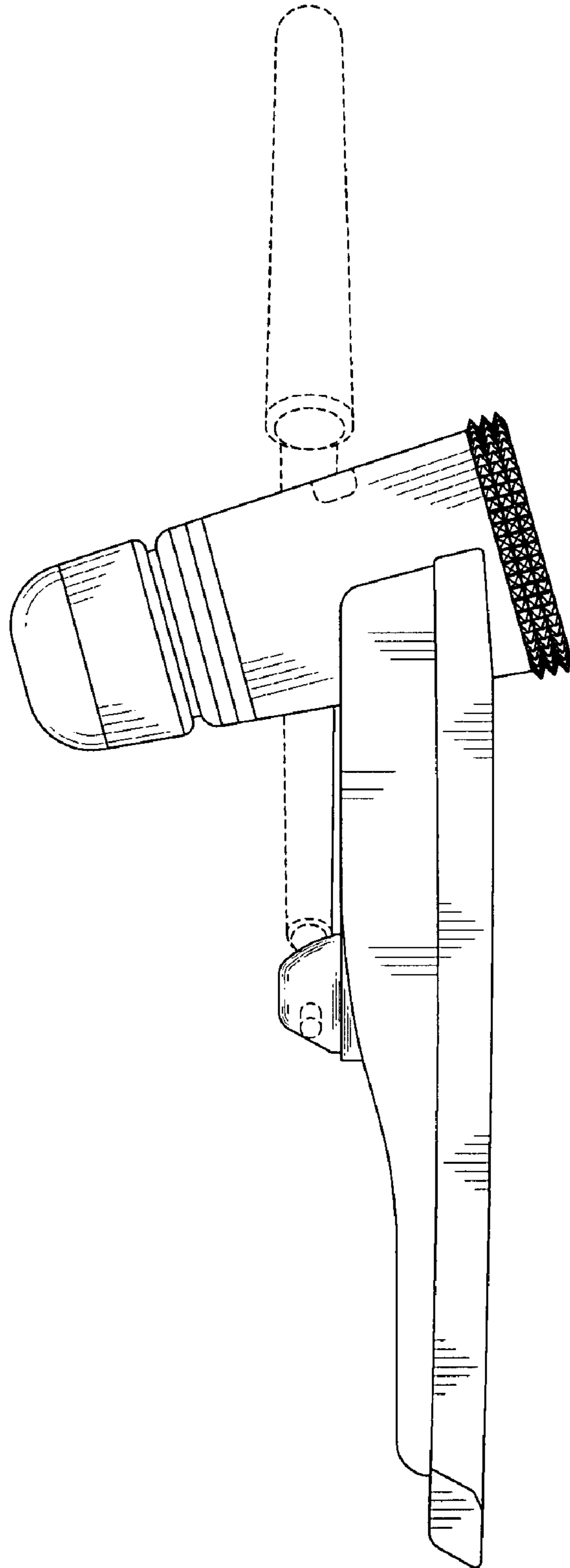


FIG.5

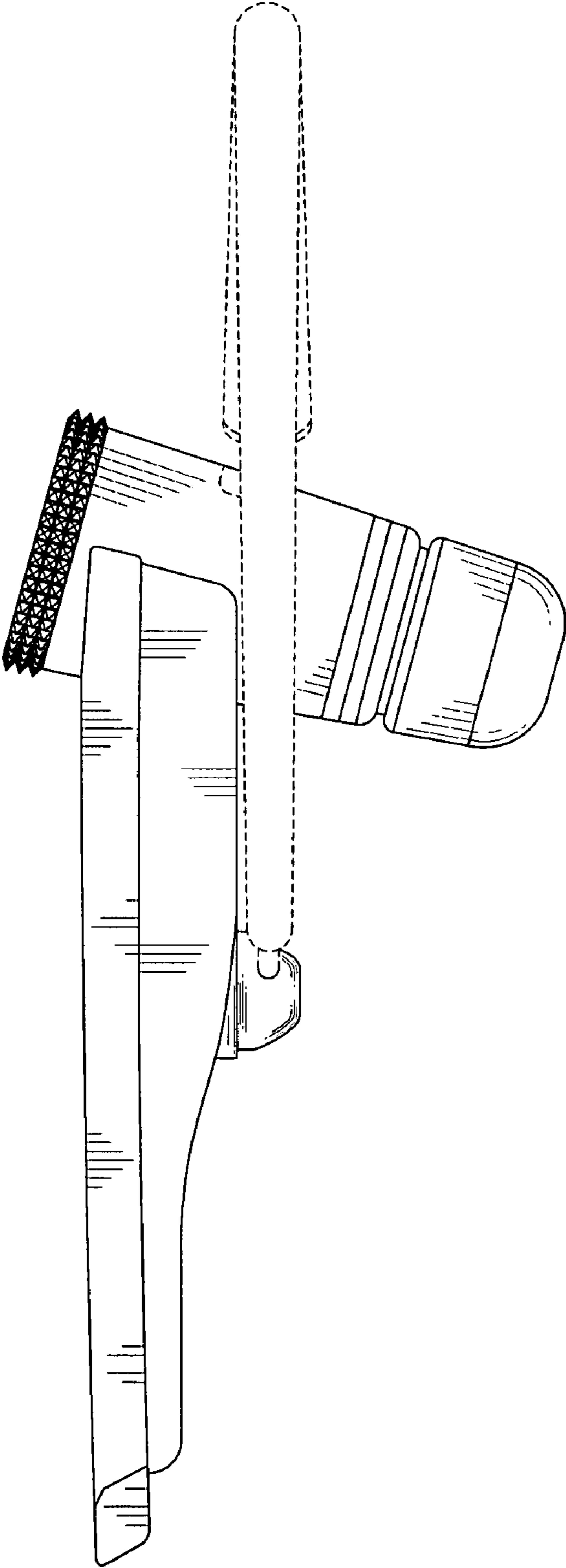


FIG.6

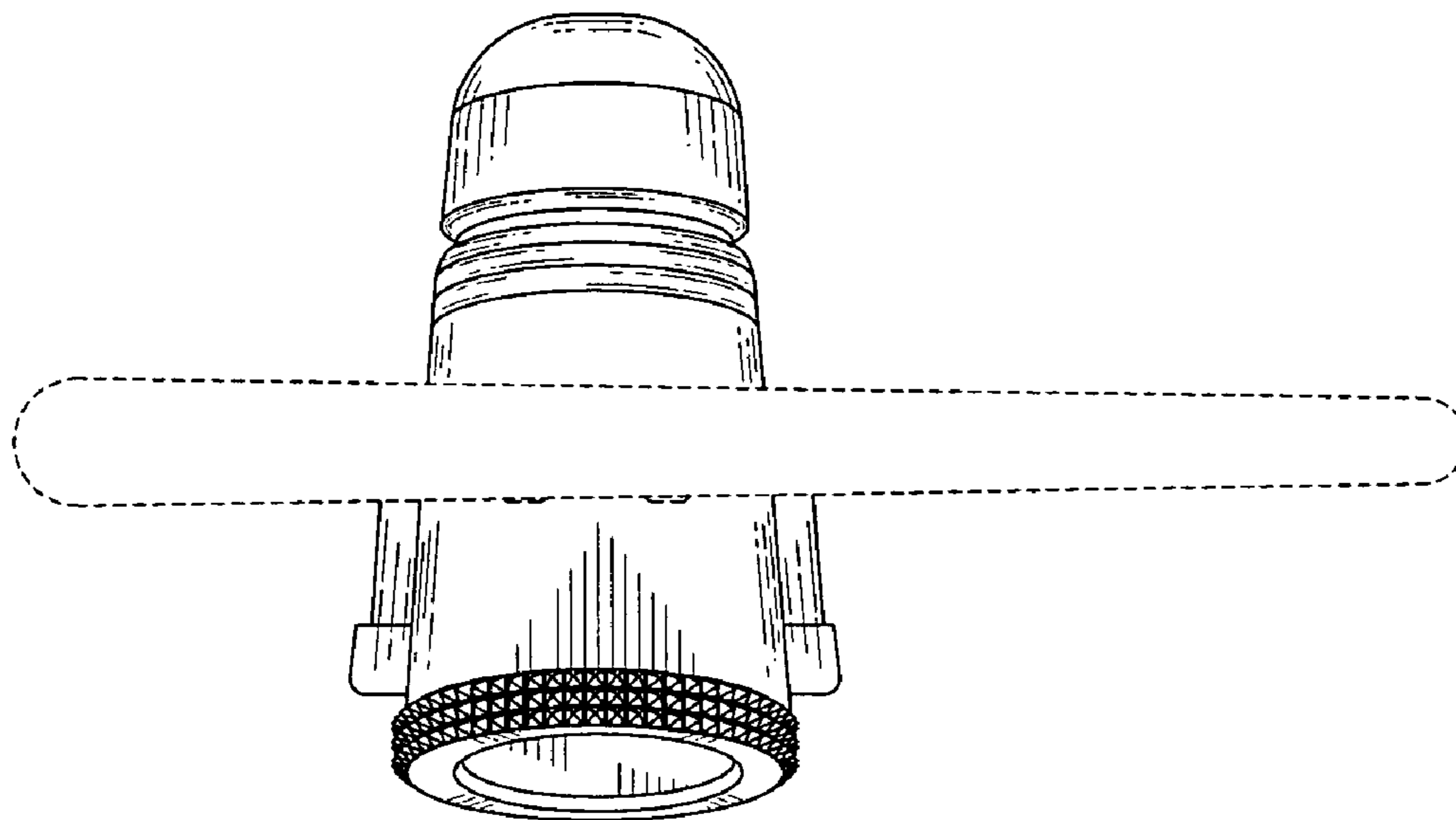


FIG.7

