



US00D595270S

(12) **United States Design Patent**  
**Andre et al.**

(10) **Patent No.:** **US D595,270 S**  
(45) **Date of Patent:** **\*\* Jun. 30, 2009**

(54) **EAR PIECE**

(75) Inventors: **Bartley K. Andre**, Menlo Park, CA (US); **Daniel J. Coster**, San Francisco, CA (US); **Daniele De Iuliis**, San Francisco, CA (US); **Richard P. Howarth**, San Francisco, CA (US); **Jonathan P. Ive**, San Francisco, CA (US); **Duncan Robert Kerr**, San Francisco, CA (US); **Shin Nishibori**, San Francisco, CA (US); **Matthew Dean Rohrbach**, San Francisco, CA (US); **Peter Russell-Clarke**, San Francisco, CA (US); **Douglas B. Satzger**, Menlo Park, CA (US); **Calvin Q. Seid**, Palo Alto, CA (US); **Christopher J. Stringer**, Portola Valley, CA (US); **Eugene Antony Whang**, San Francisco, CA (US); **Rico Zorkendorfer**, San Francisco, CA (US)

(73) Assignee: **Apple Inc.**, Cupertino, CA (US)

(\*\*) Term: **14 Years**

(21) Appl. No.: **29/321,427**

(22) Filed: **Jul. 16, 2008**

**Related U.S. Application Data**

(63) Continuation of application No. 29/270,881, filed on Jan. 5, 2007, now Pat. No. Des. 579,923.

(51) **LOC (9) Cl.** ..... **14-01**

(52) **U.S. Cl.** ..... **D14/223**

(58) **Field of Classification Search** ..... D14/205, D14/206, 223, 138, 188, 192; 181/129, 130; 379/430, 433.01, 433.02, 433.03; 381/380, 381/381, 385; 455/575.2

See application file for complete search history.

(56) **References Cited**

U.S. PATENT DOCUMENTS

1,650,039 A 11/1927 Price

(Continued)

FOREIGN PATENT DOCUMENTS

CN 20053005843.0 4/2005

(Continued)

OTHER PUBLICATIONS

English Translation of a search report for Taiwan Patent Application No. 096303170, dated Mar. 25, 2008.

(Continued)

*Primary Examiner*—Paula Greene  
(74) *Attorney, Agent, or Firm*—Sterne Kessler Goldstein & Fox P.L.L.C.

(57) **CLAIM**

The ornamental design for an ear piece, as shown and described.

**DESCRIPTION**

FIG. 1 is a front perspective view of an ear piece showing our new design.

FIG. 2 is a front view thereof;

FIG. 3 is a rear view thereof;

FIG. 4 is a top view thereof;

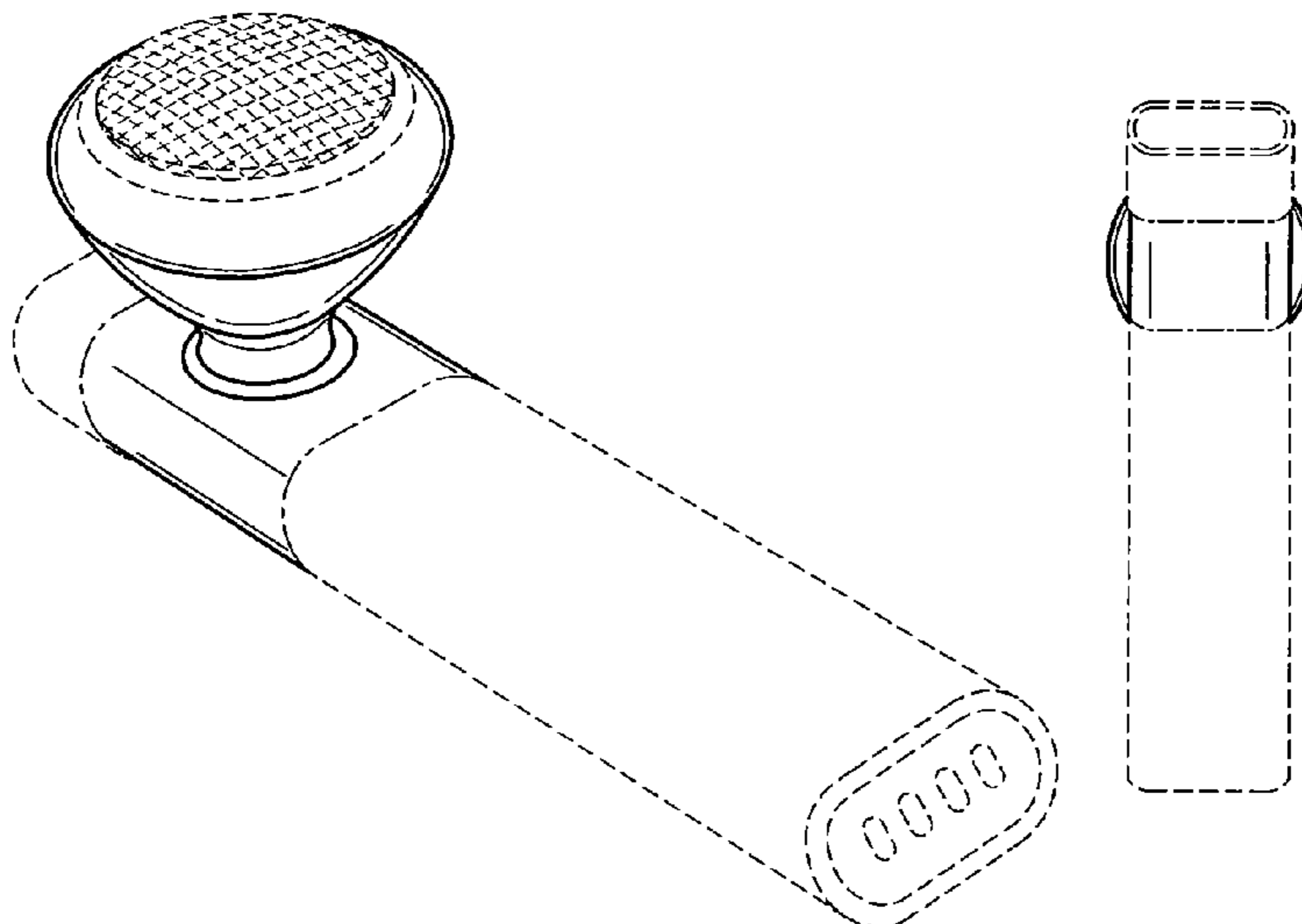
FIG. 5 is a bottom view thereof;

FIG. 6 is a right side view thereof; and,

FIG. 7 is a left side view thereof.

The broken lines in the Figures are for environmental purposes only and form no part of the claimed design.

**1 Claim, 2 Drawing Sheets**



# US D595,270 S

Page 2

## U.S. PATENT DOCUMENTS

2,325,590 A 7/1943 Carlisle et al.  
D153,577 S 5/1949 Bland  
D270,634 S 9/1983 Ungar  
D278,234 S 4/1985 Saito  
4,588,867 A 5/1986 Konomi  
4,646,872 A 3/1987 Kamon et al.  
4,677,675 A 6/1987 Killion et al.  
D299,344 S 1/1989 Stevens  
4,893,344 A 1/1990 Tragardh et al.  
4,942,617 A 7/1990 Boylan  
D311,007 S 10/1990 Daido  
D316,550 S 4/1991 Sogabe  
D318,670 S 7/1991 Taniguchi et al.  
D318,864 S 8/1991 Daido et al.  
D318,865 S 8/1991 Ichikawa  
D326,655 S 6/1992 Iribe  
D331,057 S 11/1992 Isonaga  
5,185,802 A 2/1993 Stanton  
D334,043 S 3/1993 Taniguchi et al.  
D337,118 S 7/1993 Seikita  
D337,305 S 7/1993 Ross et al.  
D356,293 S 3/1995 Riley et al.  
D391,572 S 3/1998 Lee  
D410,079 S 5/1999 Falco et al.  
D430,139 S 8/2000 Peters et al.  
6,122,369 A 9/2000 Hwang et al.  
6,122,526 A 9/2000 Parulski et al.  
D432,523 S 10/2000 Grinkus et al.  
D438,525 S 3/2001 Katayama  
D441,735 S 5/2001 Katayama  
D446,499 S 8/2001 Andre et al.  
D454,110 S 3/2002 Andre et al.  
6,392,882 B1 5/2002 Chen et al.  
D469,753 S 2/2003 Andre et al.  
D473,207 S 4/2003 Tanio  
D503,409 S 3/2005 Wong et al.  
6,868,284 B2 3/2005 Bae  
D506,476 S 6/2005 Andre et al.

D506,744 S 6/2005 Andre et al.  
6,922,476 B2 7/2005 Nassimi  
D515,070 S 2/2006 Andre et al.  
D515,545 S 2/2006 Griffin  
D516,579 S 3/2006 Nakamura  
7,013,164 B2 3/2006 Lin  
D521,936 S 5/2006 Novotney et al.  
D527,723 S 9/2006 Andre et al.  
D533,540 S 12/2006 Murray  
D534,184 S 12/2006 Leija et al.  
D534,545 S 1/2007 Leija et al.  
D537,074 S 2/2007 Andre et al.  
D538,271 S 3/2007 Kim et al.  
D539,787 S 4/2007 Kim et al.  
D539,814 S 4/2007 Andre et al.  
D542,267 S 5/2007 Cha et al.  
D550,215 S 9/2007 Udagawa et al.  
D551,250 S 9/2007 Andre et al.  
D552,596 S 10/2007 Christopher  
D559,836 S 1/2008 Lee  
D562,309 S 2/2008 Choi et al.  
D566,696 S \* 4/2008 Schmelling ..... D14/223  
7,362,876 B2 4/2008 Tsai  
D568,876 S \* 5/2008 Tsai et al. .... D14/223  
D573,983 S \* 7/2008 Bang et al. .... D14/223  
D579,923 S \* 11/2008 Andre et al. .... D14/223

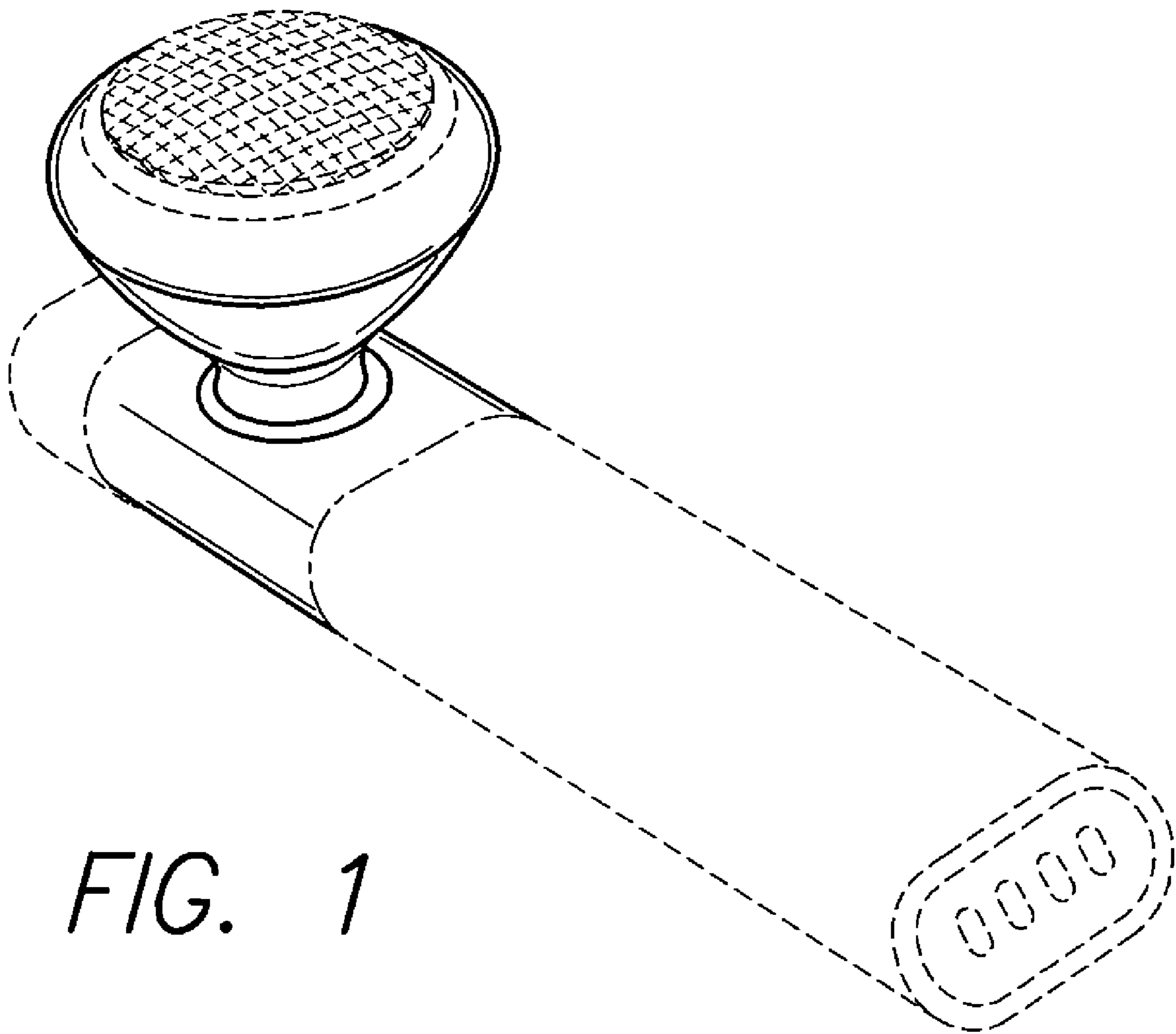
## FOREIGN PATENT DOCUMENTS

CN 3513646D 3/2006  
CN 3543434D 7/2006  
CN 3549064D 8/2006  
JP D1121650 9/2001  
TW D121118 12/1995  
TW D121118 1/2008

## OTHER PUBLICATIONS

U.S. Appl. No. 29/270,881, titled "Ear Piece", filed Jan. 5, 2007.

\* cited by examiner



*FIG. 1*

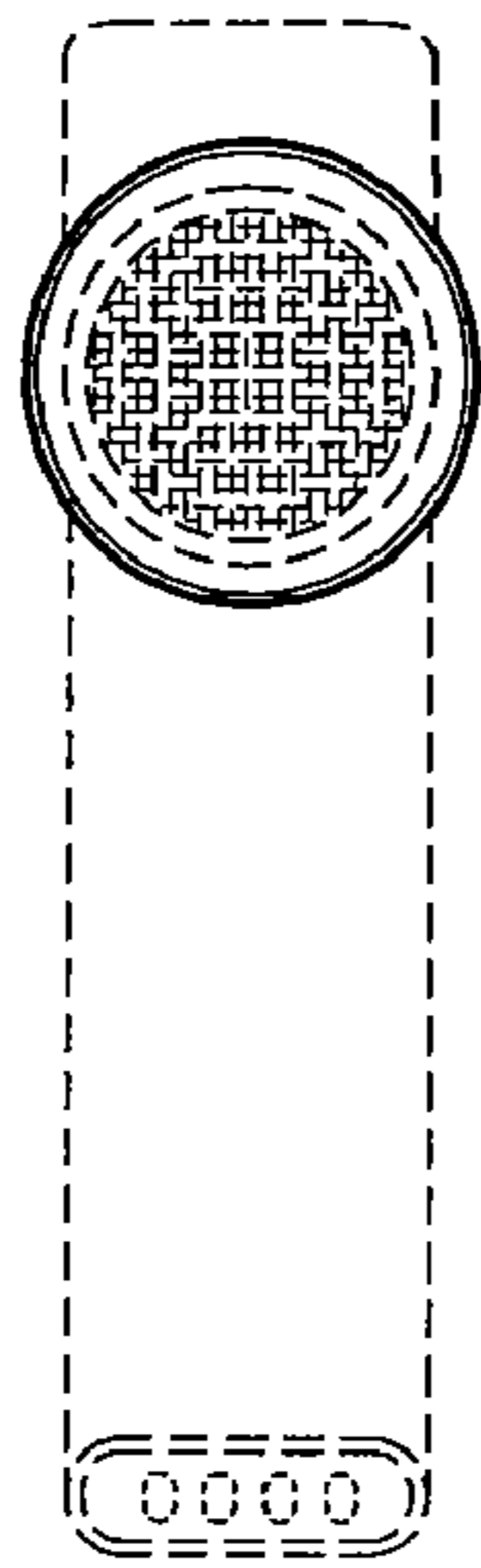


FIG. 2

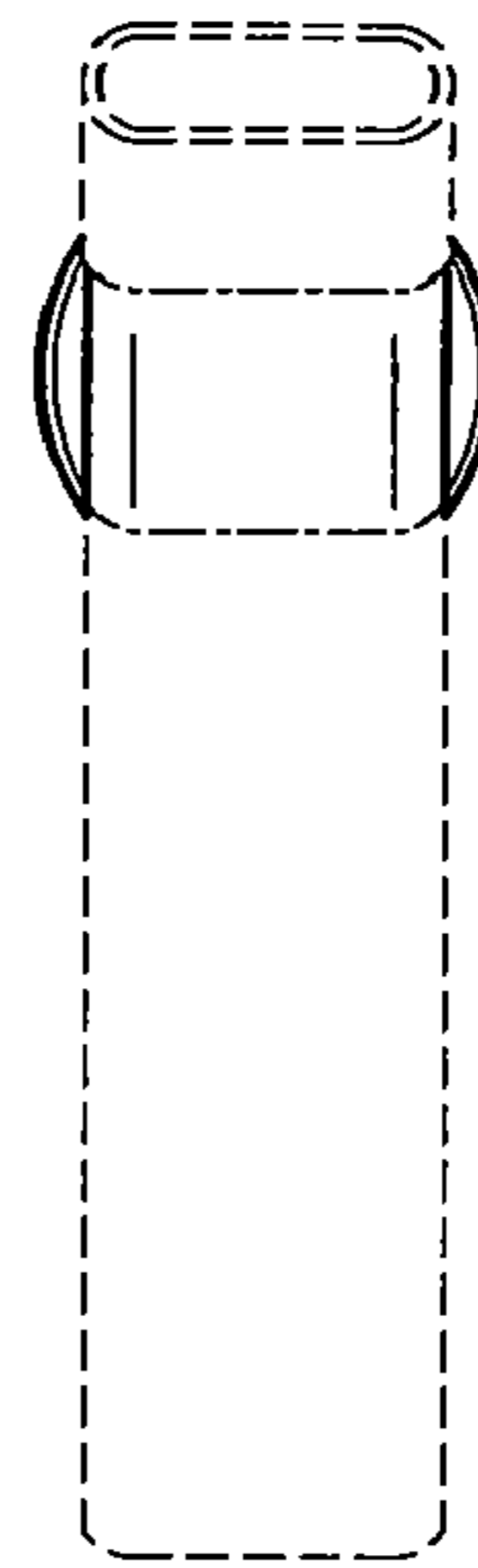


FIG. 3

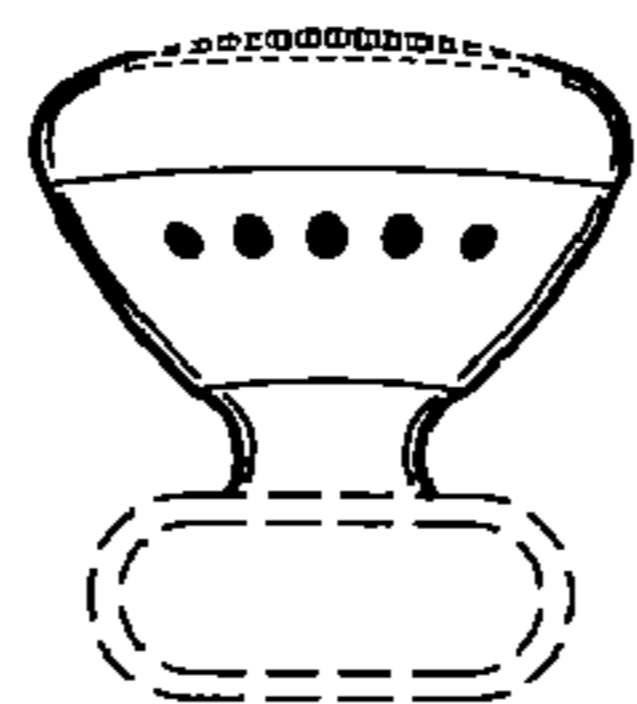


FIG. 4

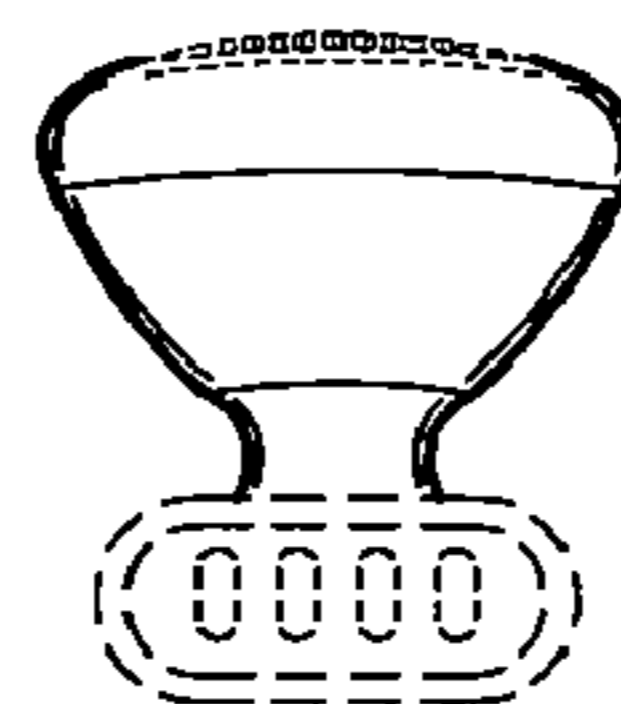


FIG. 5

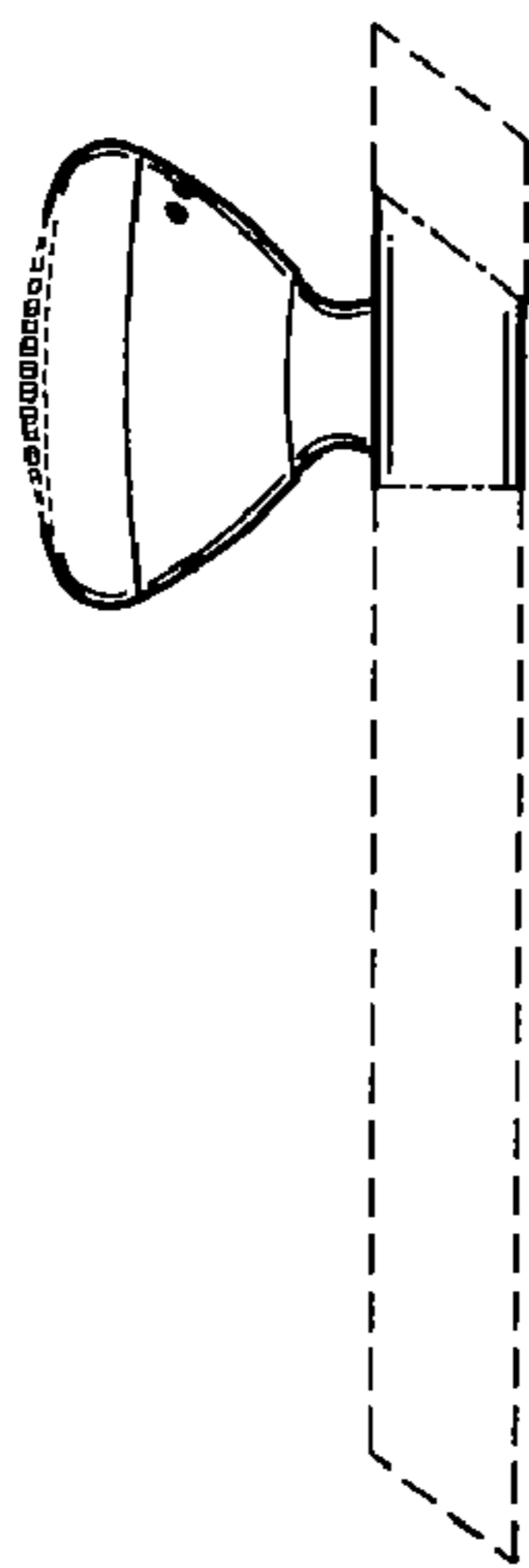


FIG. 6

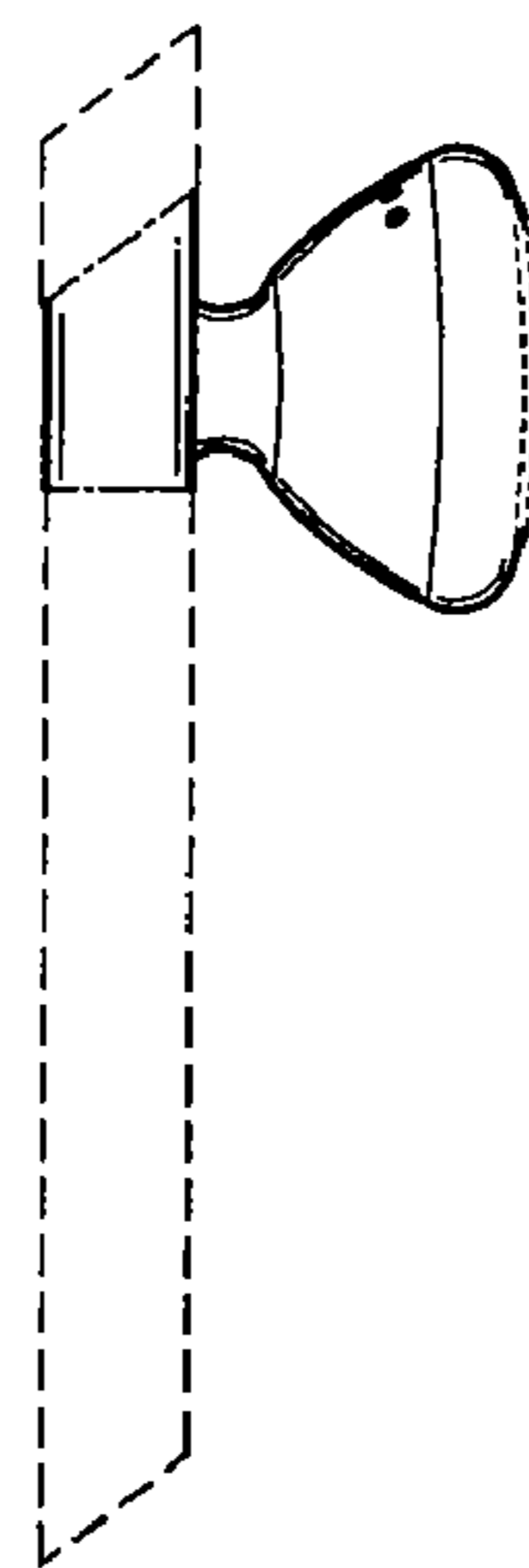


FIG. 7