



US00D595268S

(12) **United States Design Patent**  
Kolton

(10) **Patent No.:** US D595,268 S  
(45) **Date of Patent:** \*\* Jun. 30, 2009

(54) **INSERTABLE EARPHONE**

(76) **Inventor:** Timothy Val Kolton, 6565 Sunset Blvd.,  
Suite 290, Hollywood, CA (US) 90028

(\*\*) **Term:** 14 Years

(21) **Appl. No.:** 29/286,543

(22) **Filed:** May 10, 2007

(51) **LOC (9) Cl.** ..... 14-01

(52) **U.S. Cl.** ..... D14/223; D14/205

(58) **Field of Classification Search** ..... D14/205,  
D14/206, 223, 188, 192, 242; D24/106,  
D24/174; 181/128–130; 379/430, 433.01,  
379/433.02, 433.03, 433.04, 433.05; 381/380,  
381/381, 385; 128/864–865; D8/107; 81/177.1  
See application file for complete search history.

(56) **References Cited**

**U.S. PATENT DOCUMENTS**

2,145,449	A *	1/1939	Lockhart	.....	381/151
D290,581	S *	6/1987	Hughes	.....	D8/347
5,054,079	A *	10/1991	Frielingsdorf et al.	.....	381/151
D431,553	S	10/2000	Suzuki		
D468,301	S *	1/2003	Fushimi	.....	D14/223
D487,077	S	2/2004	Obata		

D514,094	S *	1/2006	Griffin	.....	D14/223
D519,107	S	4/2006	Yang		
D519,108	S	4/2006	Yang		
7,113,611	B2 *	9/2006	Leedom et al.	.....	381/322
D549,222	S *	8/2007	Huang	.....	D14/223

\* cited by examiner

*Primary Examiner—*Paula A Greene

(74) *Attorney, Agent, or Firm—*Ty Ung; Patel & Alumn, P.C.;  
Paula Allen Greene

(57) **CLAIM**

We claim the ornamental design for an insertable earphone, as shown and described.

**DESCRIPTION**

FIG. 1 is a perspective view of the insertable earphone according to the new design.

FIG. 2 is an exploded perspective view thereof, the undisclosed portions are not part of the claimed design;

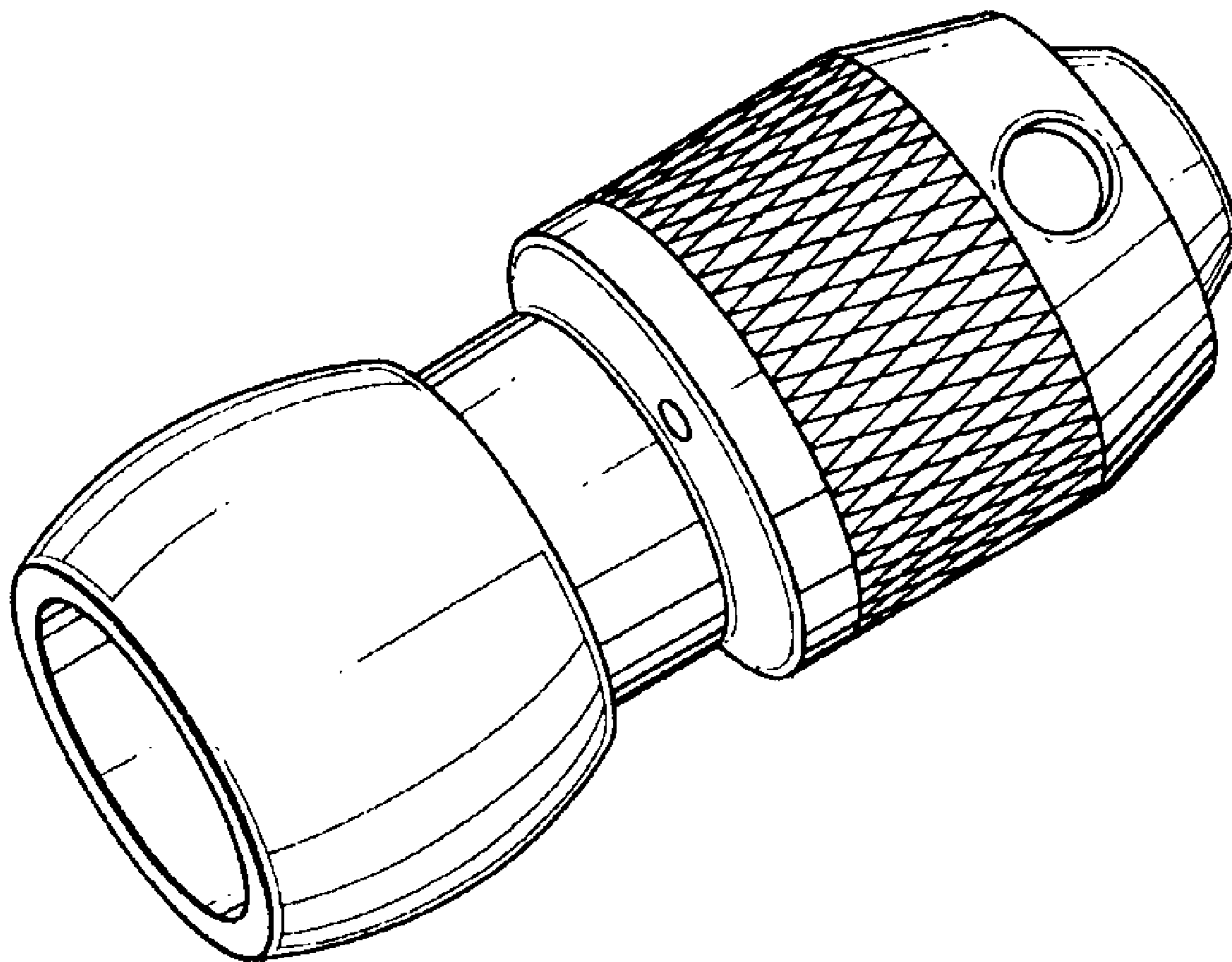
FIG. 3 is a front view thereof.

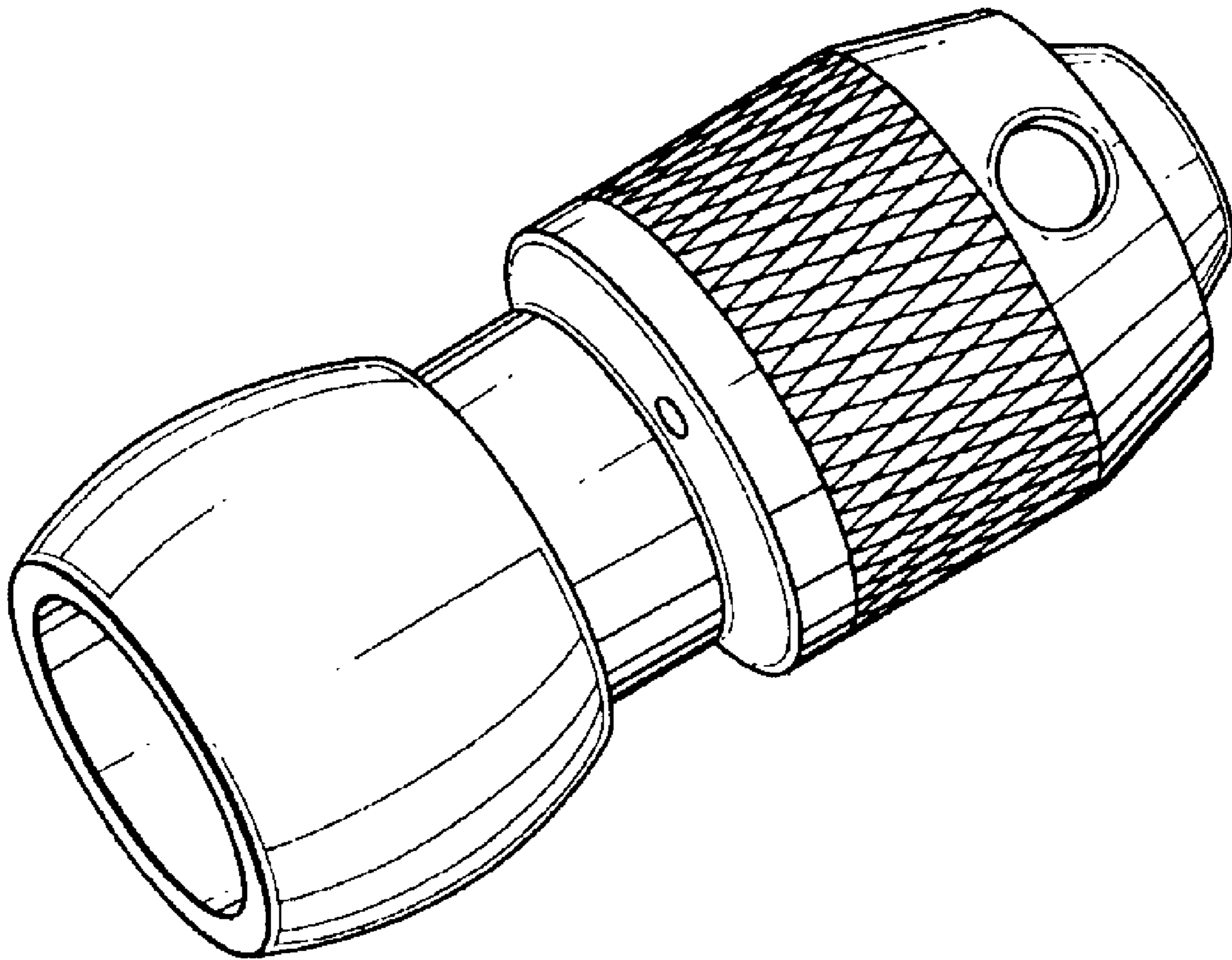
FIG. 4 is a rear view thereof.

FIG. 5 is a top view thereof; and,

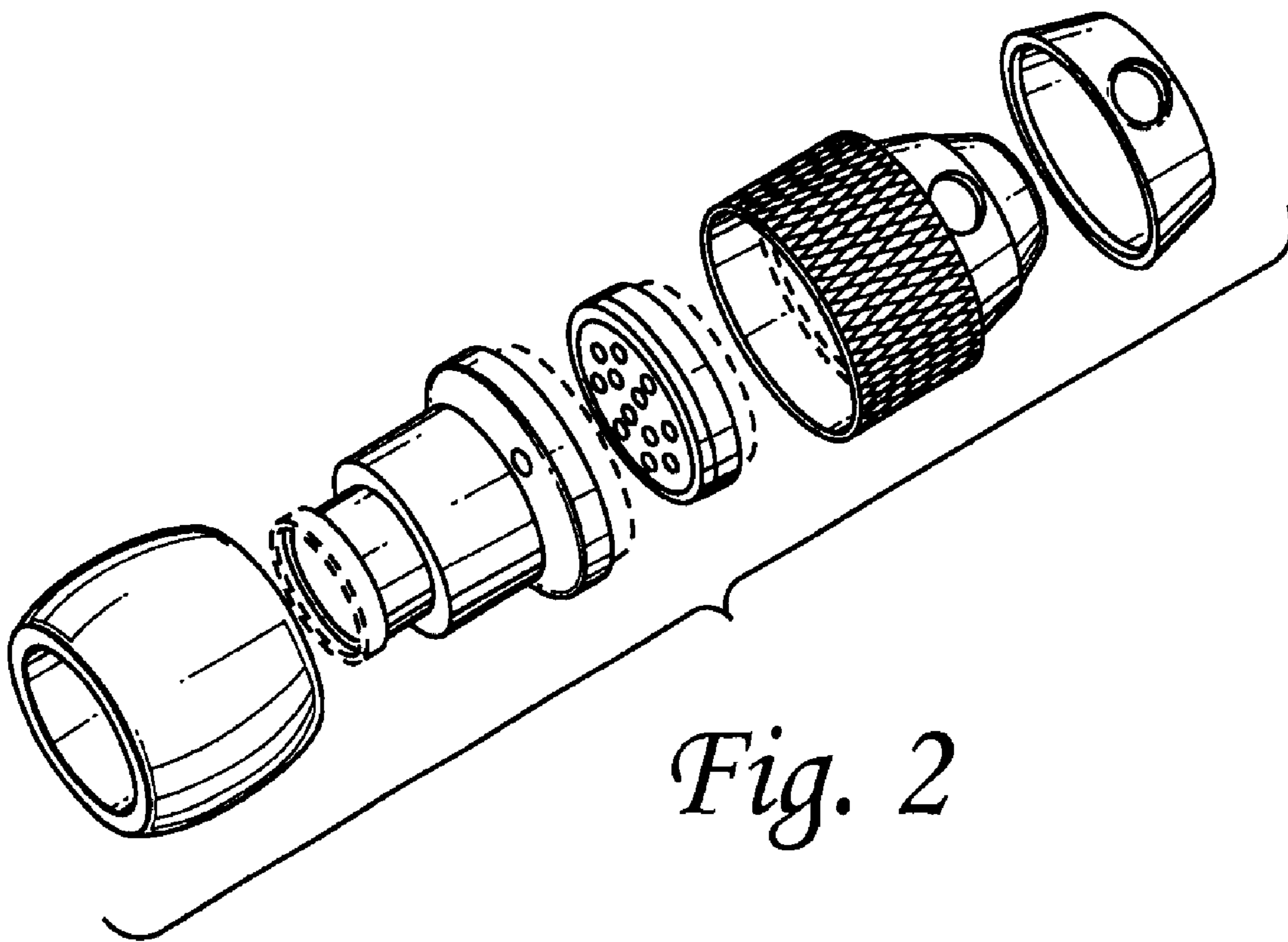
FIG. 6 is a bottom view thereof.

**1 Claim, 6 Drawing Sheets**

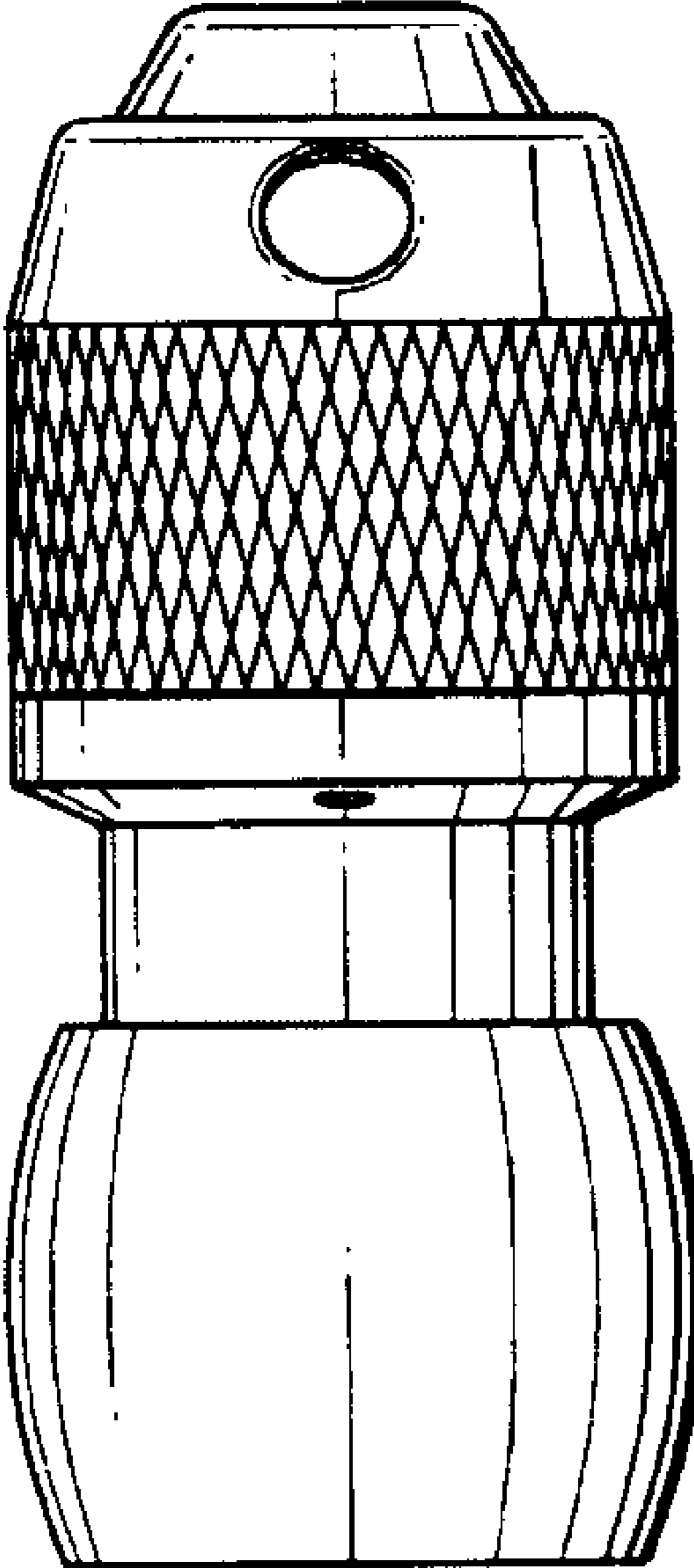




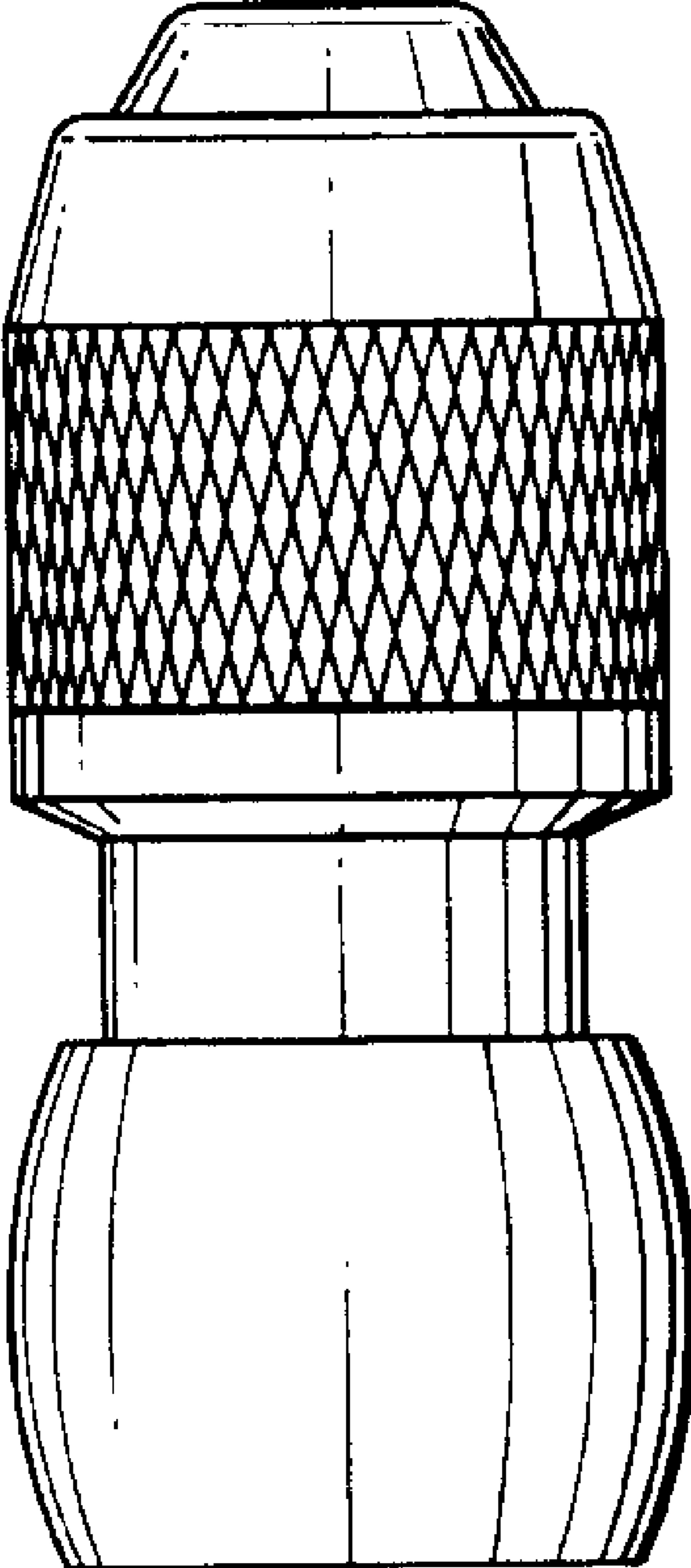
*Fig. 1*



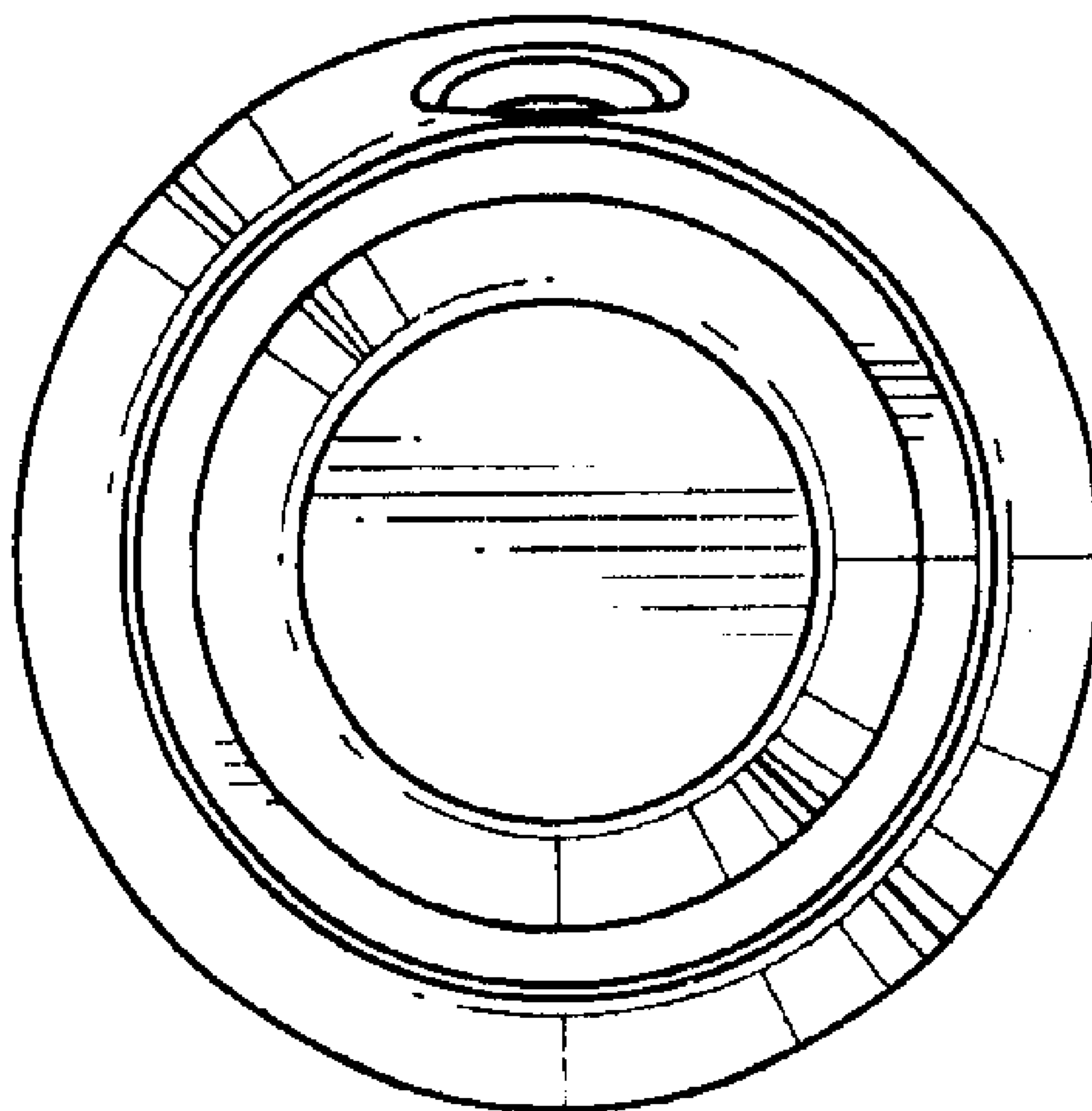
*Fig. 2*



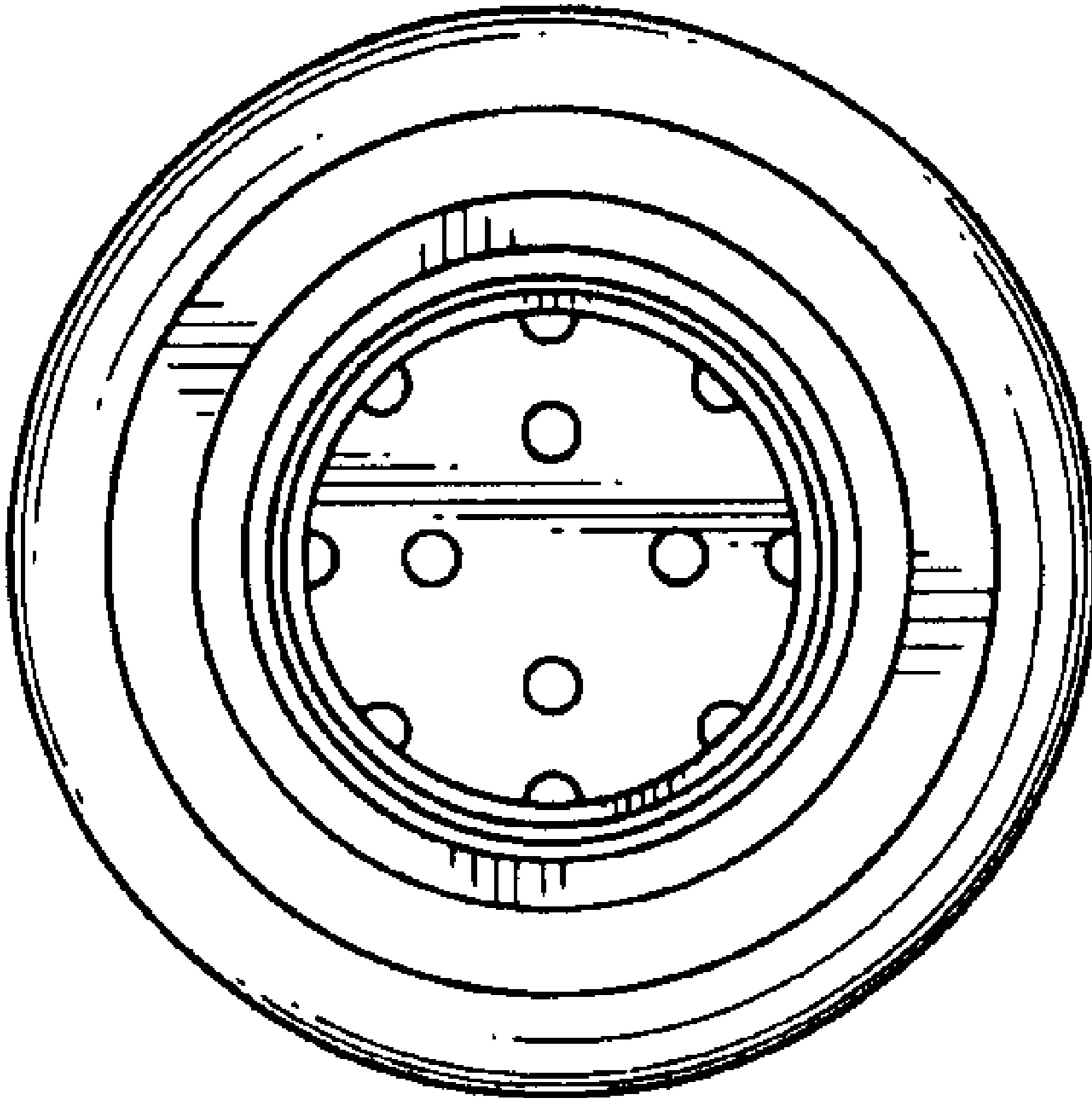
*Fig. 3*



*Fig. 4*



*Fig. 5*



*Fig. 6*