



US00D595265S

(12) **United States Design Patent**
Andre et al.

(10) **Patent No.:** **US D595,265 S**

(45) **Date of Patent:** **** Jun. 30, 2009**

(54) **DOCK INSERT**

(75) Inventors: **Bartley K. Andre**, Menlo Park, CA (US); **Daniel J. Coster**, San Francisco, CA (US); **Daniele De Iuliis**, San Francisco, CA (US); **Richard P. Howarth**, San Francisco, CA (US); **Jonathan P. Ive**, San Francisco, CA (US); **Duncan Robert Kerr**, San Francisco, CA (US); **Shin Nishibori**, San Francisco, CA (US); **Matthew Dean Rohrbach**, San Francisco, CA (US); **Douglas B. Satzger**, Menlo Park, CA (US); **Calvin Q. Seid**, Palo Alto, CA (US); **Christopher J. Stringer**, Portola Valley, CA (US); **Eugene Antony Whang**, San Francisco, CA (US); **Rico Zorkendorfer**, San Francisco, CA (US)

(73) Assignee: **Apple Inc.**, Cupertino, CA (US)

(**) Term: **14 Years**

(21) Appl. No.: **29/317,759**

(22) Filed: **May 6, 2008**

Related U.S. Application Data

(63) Continuation of application No. 29/282,543, filed on Jul. 23, 2007, now Pat. No. Des. 568,297, which is a continuation of application No. 29/237,097, filed on Aug. 24, 2005, now Pat. No. Des. 552,085, and a continuation of application No. 29/237,111, filed on Aug. 24, 2005, now Pat. No. Des. 551,212, and a continuation of application No. 29/237,112, filed on Aug. 24, 2005, now Pat. No. Des. 551,213.

(51) **LOC (9) Cl.** **14-02**

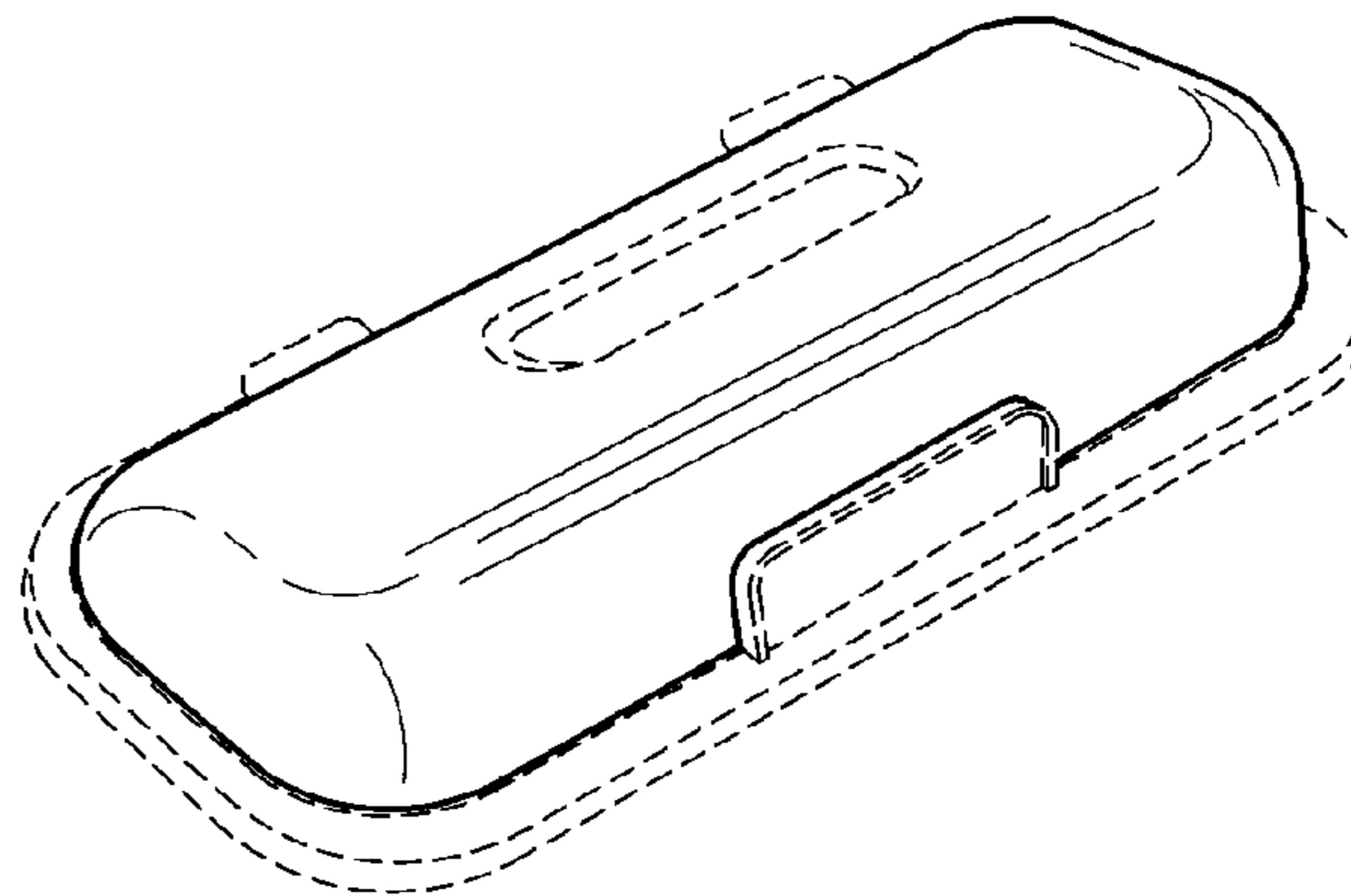
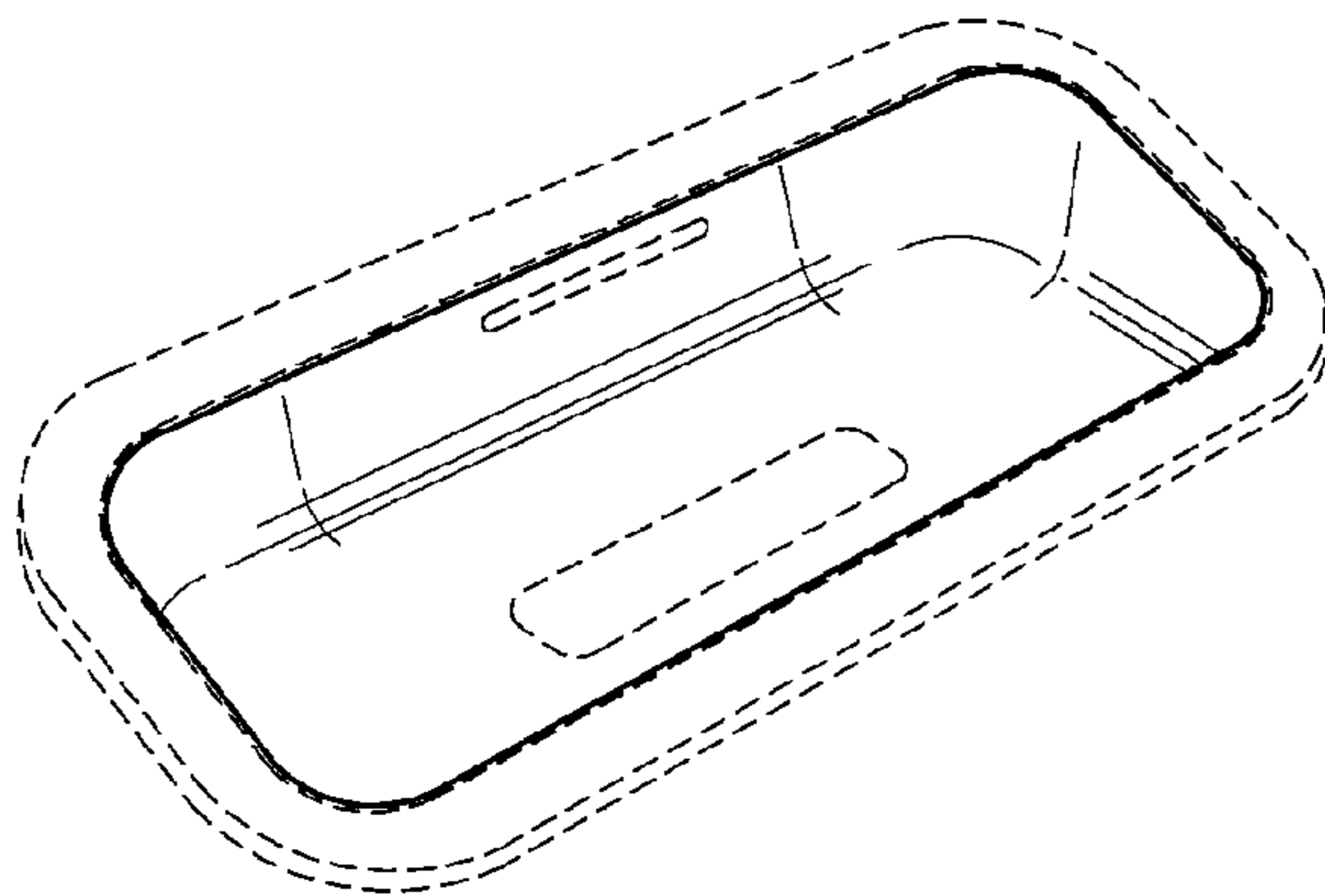
(52) **U.S. Cl.** **D14/217**

(58) **Field of Classification Search** D14/142, D14/149, 155, 157, 188, 191-193, 230.1-203.8, D14/217, 251, 253, 432-435.1, 447, 451, D14/496, 474, 480.1-480.7; D13/107, 108, D13/118; D3/218; 248/221.11, 309.1; 320/107, 320/110, 113-115; 361/600, 679, 683, 686; 439/529, 534; 455/556.1-556.2, 557
See application file for complete search history.

(56) **References Cited**

U.S. PATENT DOCUMENTS

D328,277 S	7/1992	Leman et al.
D336,631 S	6/1993	Ivester
5,233,281 A	8/1993	Chiang et al.
5,280,229 A	1/1994	Faude et al.
D350,330 S	9/1994	Peterson
D358,821 S	5/1995	Hellier et al.
D361,069 S	8/1995	Hellier et al.
D374,858 S	10/1996	Chu
5,600,225 A	2/1997	Goto
5,602,458 A	2/1997	Dowe
5,627,727 A	5/1997	Aguilera et al.
D385,530 S	10/1997	Hames et al.
D388,764 S	1/1998	Bartling et al.
D390,824 S	2/1998	Foster et al.
5,742,149 A *	4/1998	Simpson 320/110
D397,996 S	9/1998	Smith
D409,987 S	5/1999	Okumura
D411,166 S	6/1999	Uemura et al.
5,926,005 A	7/1999	Holcomb et al.
5,952,814 A	9/1999	Van Lerberghe
D416,536 S	11/1999	Ross et al.
D419,160 S	1/2000	Davidson et al.
6,042,414 A	3/2000	Kunert
D422,556 S	4/2000	Okura et al.
D439,908 S	4/2001	Gozani
D440,542 S	4/2001	Hawkins et al.
D442,939 S	5/2001	Goldenburg
D444,121 S	6/2001	Chun et al.
D444,124 S	6/2001	Casey et al.
6,307,348 B1	10/2001	Green



D450,707 S	11/2001	Francavilla et al.	
D454,332 S	3/2002	Yokoyama	
D459,299 S	6/2002	Hughes et al.	
D461,476 S	8/2002	Evers et al.	
D463,361 S	9/2002	Ruohonen	
D466,122 S	11/2002	Moody	
D468,305 S	1/2003	Ma et al.	
6,524,240 B1	2/2003	Thede	
D472,900 S	4/2003	Matsumoto	
D477,823 S	7/2003	Lavello	
D487,897 S	3/2004	Huang et al.	
6,711,005 B2	3/2004	Martin	
D495,336 S	8/2004	Andre et al.	
6,798,647 B2	9/2004	Dickie	
6,813,528 B1	11/2004	Yang	
6,898,080 B2	5/2005	Yin et al.	
D509,790 S	9/2005	Sakai	
D510,091 S	9/2005	Mori et al.	
D520,945 S	5/2006	Hayamizu	
D520,946 S	5/2006	Nasu	
D525,616 S	7/2006	Andre et al.	
7,075,579 B2	7/2006	Whitby et al.	
D526,321 S	8/2006	Hayes et al.	
D530,717 S	10/2006	Mori et al.	
D532,005 S	11/2006	Leith	
D534,066 S	12/2006	Arkins	
7,145,603 B2	12/2006	Whitby et al.	
D535,614 S	1/2007	Majanen et al.	
D537,925 S	3/2007	Mahon	
D540,327 S	4/2007	Wong et al.	
D544,899 S	6/2007	Li et al.	
D551,212 S	9/2007	Andre et al.	
D551,213 S	9/2007	Andre et al.	
D551,214 S	9/2007	Hussaini et al.	
D551,658 S	9/2007	Hussaini et al.	
D552,085 S	10/2007	Andre et al.	
D552,570 S	10/2007	Niitsu	
D553,106 S	10/2007	Griffin	
D558,207 S	12/2007	Ikeda et al.	
D558,208 S	12/2007	Ikeda et al.	
D558,738 S	1/2008	Andre et al.	
D558,739 S	1/2008	Andre et al.	
D568,297 S	5/2008	Andre et al.	
D570,335 S	6/2008	Andre et al.	
D575,275 S	8/2008	Andre et al.	
D578,110 S	10/2008	Andre et al.	
D578,512 S	10/2008	Andre et al.	
D584,313 S *	1/2009	Pittel et al.	D14/434
2002/0103008 A1	8/2002	Rahn et al.	
2003/0198015 A1	10/2003	Vogt	
2006/0250764 A1	11/2006	Howarth et al.	
2007/0047198 A1	3/2007	Crooijmans	
2008/0164845 A1 *	7/2008	Choi	320/115

OTHER PUBLICATIONS

“AdaptecxHub for Notebooks”, http://www.everythingusb.com/hardware/index/AdaptecxHub_for_Notebooks.htm, downloaded Nov. 22, 2005.
 “Atech Flash Technology Iduo Ipod Dock and card Reader”, www.the-gadgeteer.com, downloaded Nov. 21, 2005.
 “Belkin Hi-Speed USB 2.07_Port Hub”, http://www.everythingusb.com/hardware/index/Belkin_Hi-Speed_USB_2.0_7-Port_Hub..., downloaded Nov. 22, 2005.
 “Belkin’s Top loading USB Hub for iPod shuffle”, http://www.everythingusb.com/belkin_hispeed_usb_2.0_4-port_hub.html, downloaded Nov. 22, 2005.

“BookEndz Home Page” downloaded Apr. 11, 2003, www.bookendzdocks.com/bookendz/index.htm.
 “iPod Dock Cradle”, downloaded Apr. 11, 2003, www.bookendzdocks.com/bookendz/dock_cradle.htm.
 U.S. Appl. No. 29/319,055, filed Jun. 3, 2008, entitled “Dock Insert”.
 U.S. Appl. No. 29/284,346, filed Sep. 5, 2007, entitled “Dock Insert”.
 U.S. Appl. No. 29/237,687, filed Sep. 2, 2007, entitled “Docking Station”.
 U.S. Appl. No. 29/296,895, filed Oct. 30, 2007, entitled “Docking Station”.
 U.S. Appl. No. 29/304,583, filed Mar. 4, 2008, entitled “Dock Insert”.
 U.S. Appl. No. 29/319,155, filed Jun. 4, 2008, entitled “Dock Insert”.

* cited by examiner

Primary Examiner—Stella M Reid
Assistant Examiner—Keli L Hill
 (74) *Attorney, Agent, or Firm*—Sterne Kessler Goldstein & Fox P.L.L.C.

(57) CLAIM

The ornamental design for a dock insert, as shown and described.

DESCRIPTION

FIG. 1 is a top perspective view of a dock insert showing our new design;
 FIG. 2 is a bottom perspective view thereof;
 FIG. 3 is a top view thereof;
 FIG. 4 is a bottom view thereof;
 FIG. 5 is a rear view thereof;
 FIG. 6 is a front view thereof;
 FIG. 7 is a left view thereof;
 FIG. 8 is a right view thereof;
 FIG. 9 is a top perspective view of another dock insert showing our new design;
 FIG. 10 is a bottom perspective view of the dock insert of FIG. 9;
 FIG. 11 is a top view thereof;
 FIG. 12 is a bottom view thereof;
 FIG. 13 is a rear view thereof;
 FIG. 14 is a front view thereof;
 FIG. 15 is a left view thereof;
 FIG. 16 is a right view thereof;
 FIG. 17 is a perspective view showing the dock insert of FIG. 1 in an environment of use;
 FIG. 18 is a top view showing the dock insert of FIG. 1 in an environment of use; and,
 FIG. 19 is a top view showing the dock insert of FIG. 9 in an environment of use.
 The broken lines in the Figures are for illustrative purposes only and form no part of the claimed design.

1 Claim, 3 Drawing Sheets

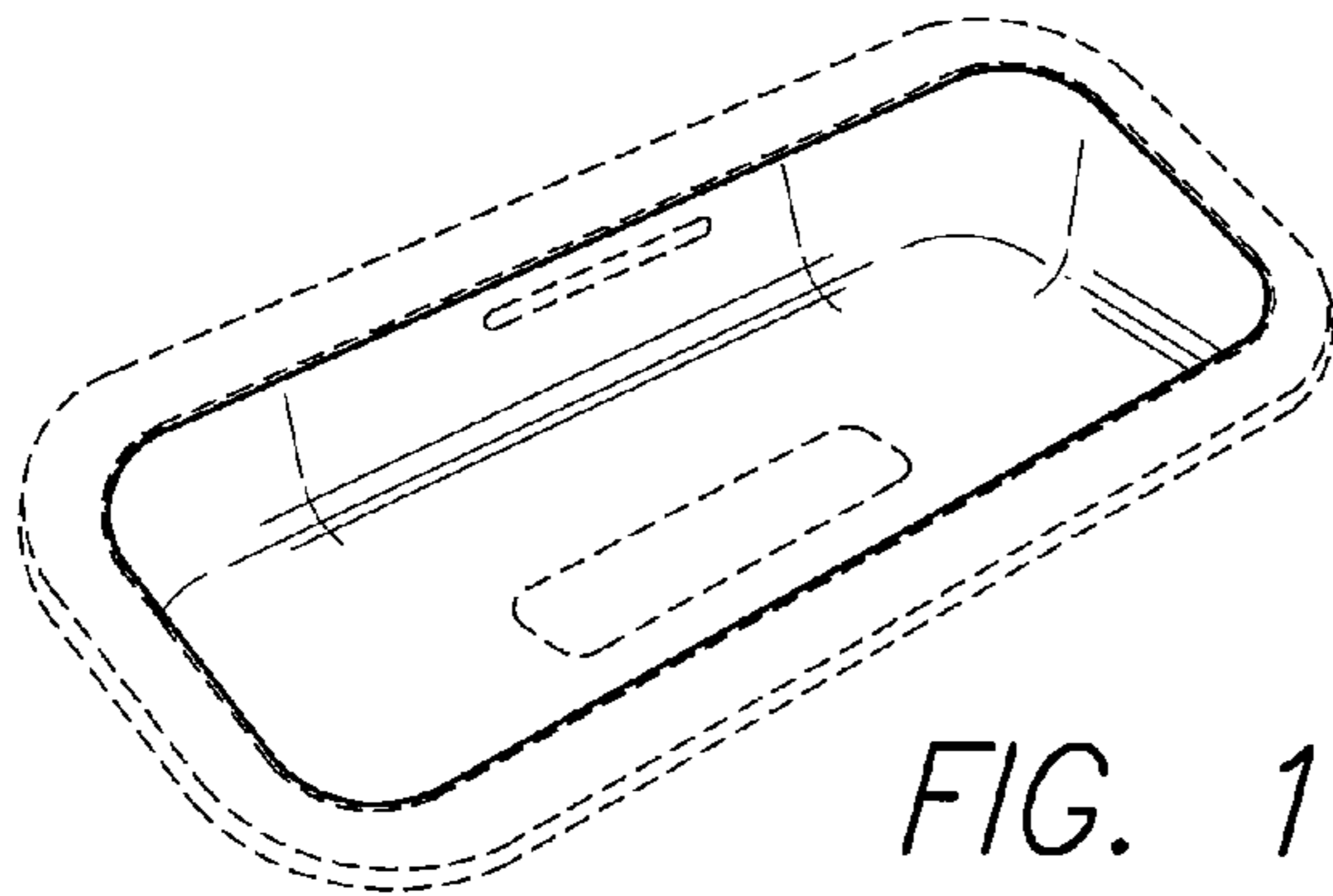


FIG. 1

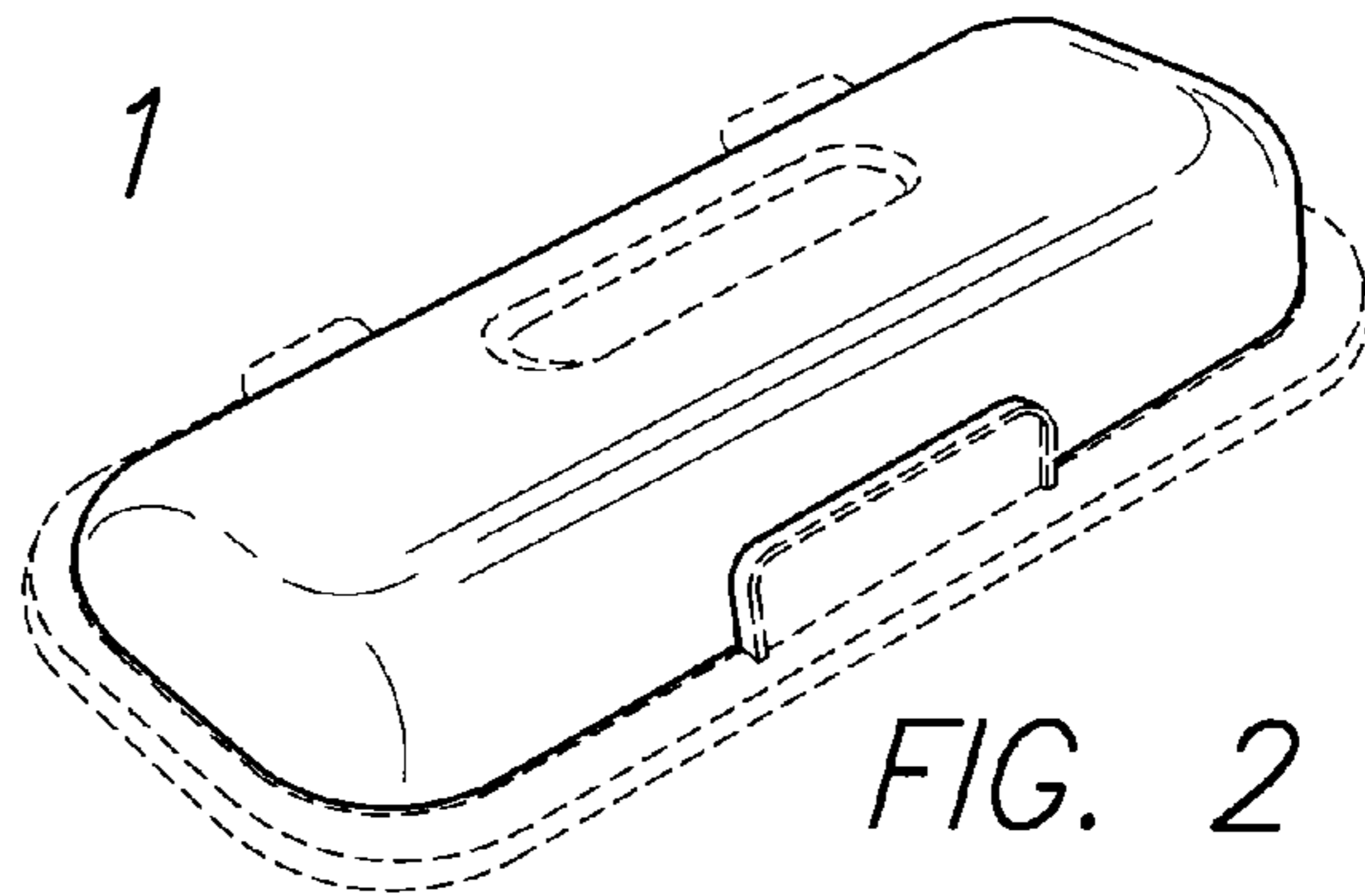


FIG. 2

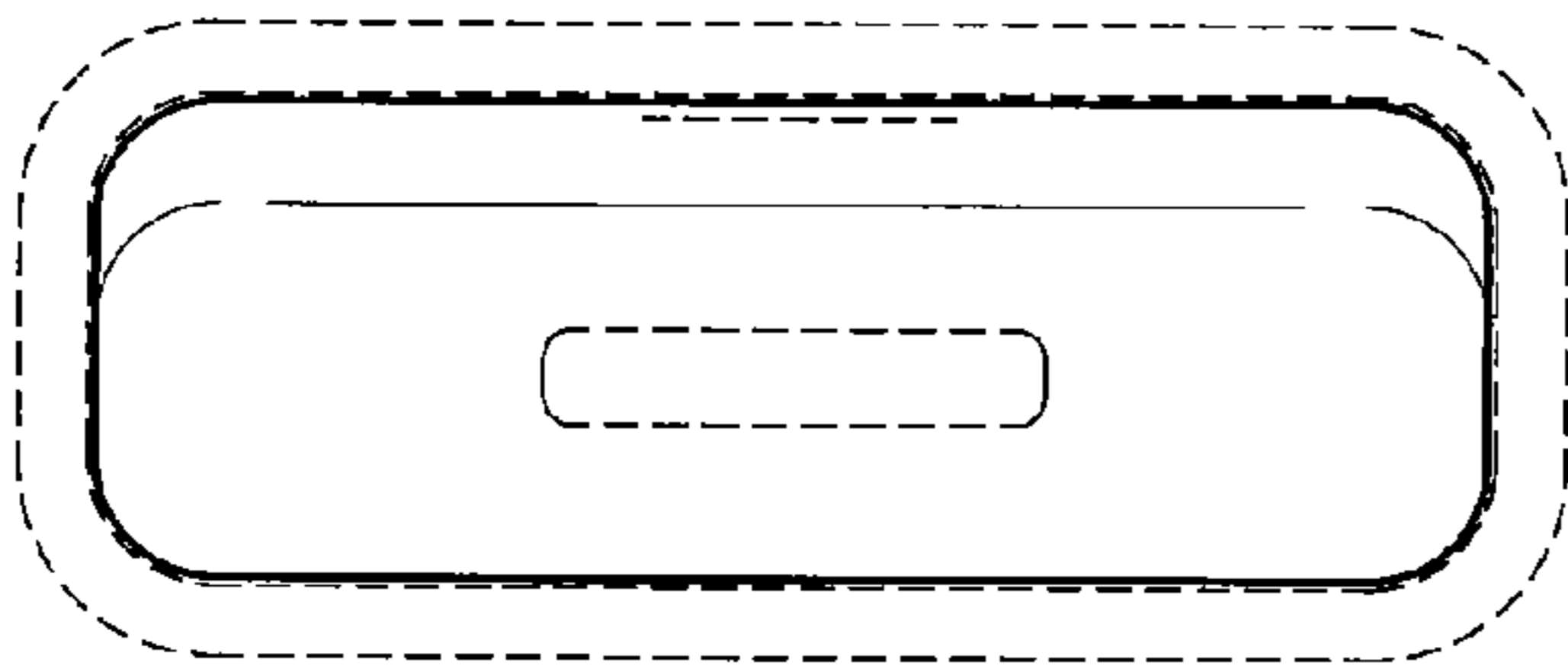


FIG. 3

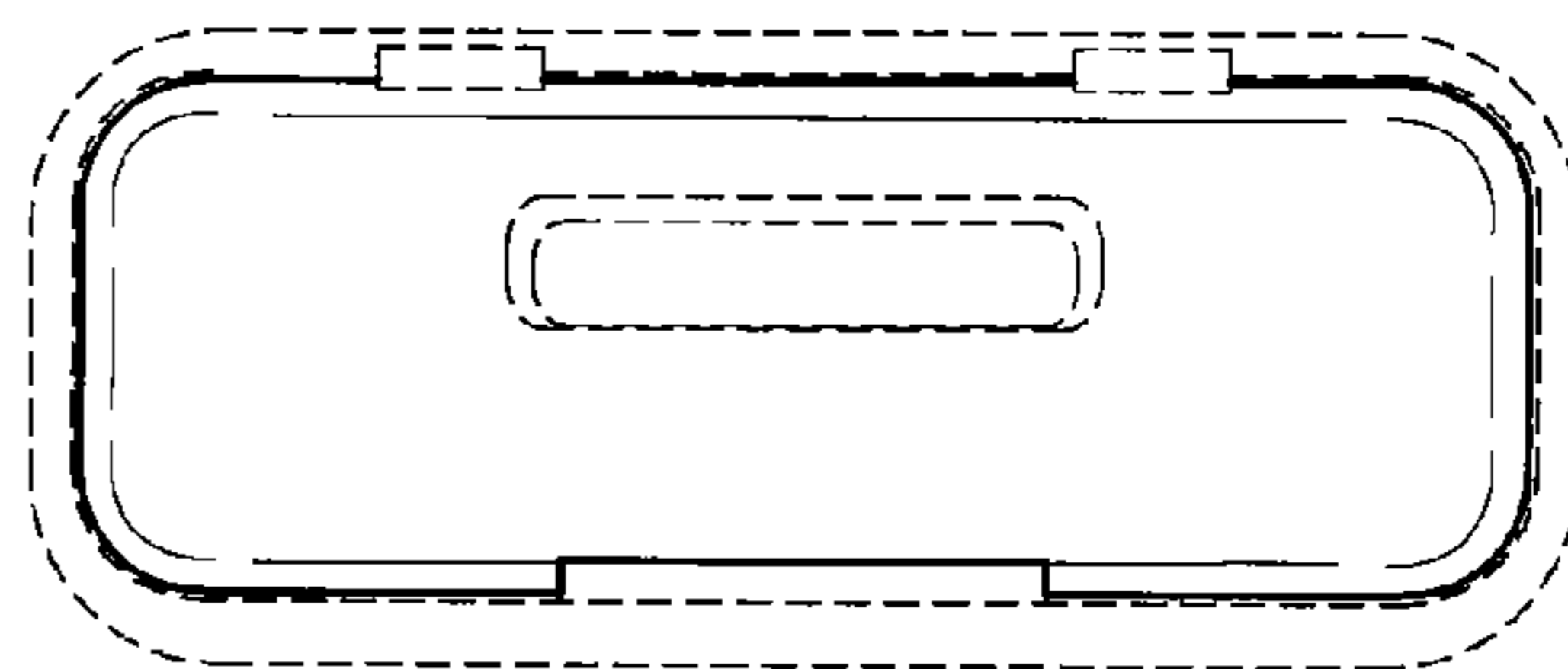


FIG. 4

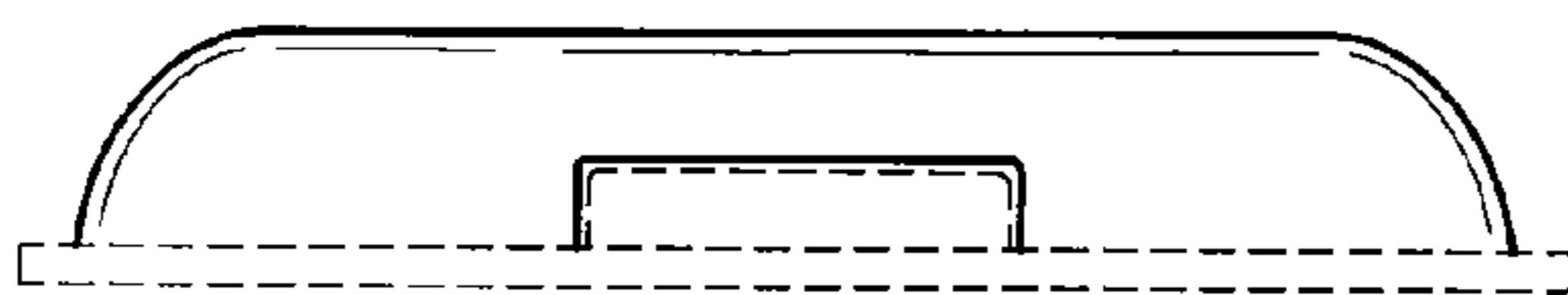


FIG. 5

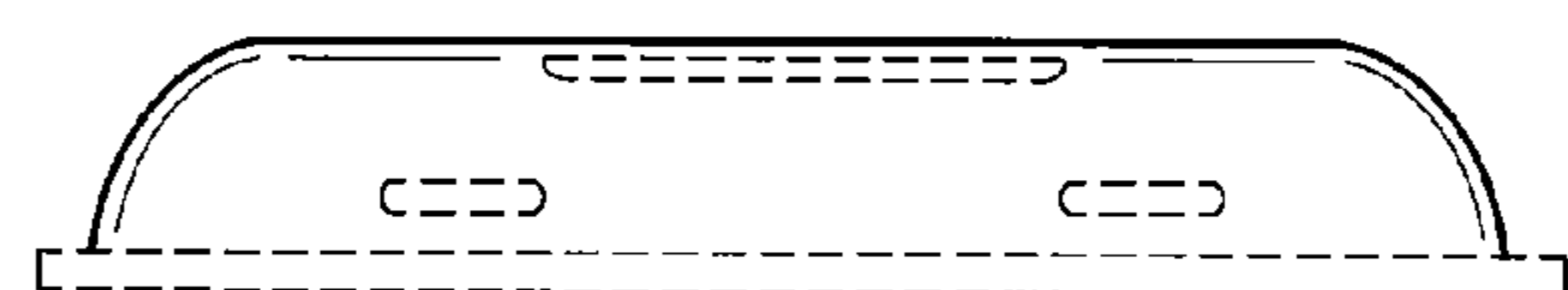


FIG. 6



FIG. 7



FIG. 8

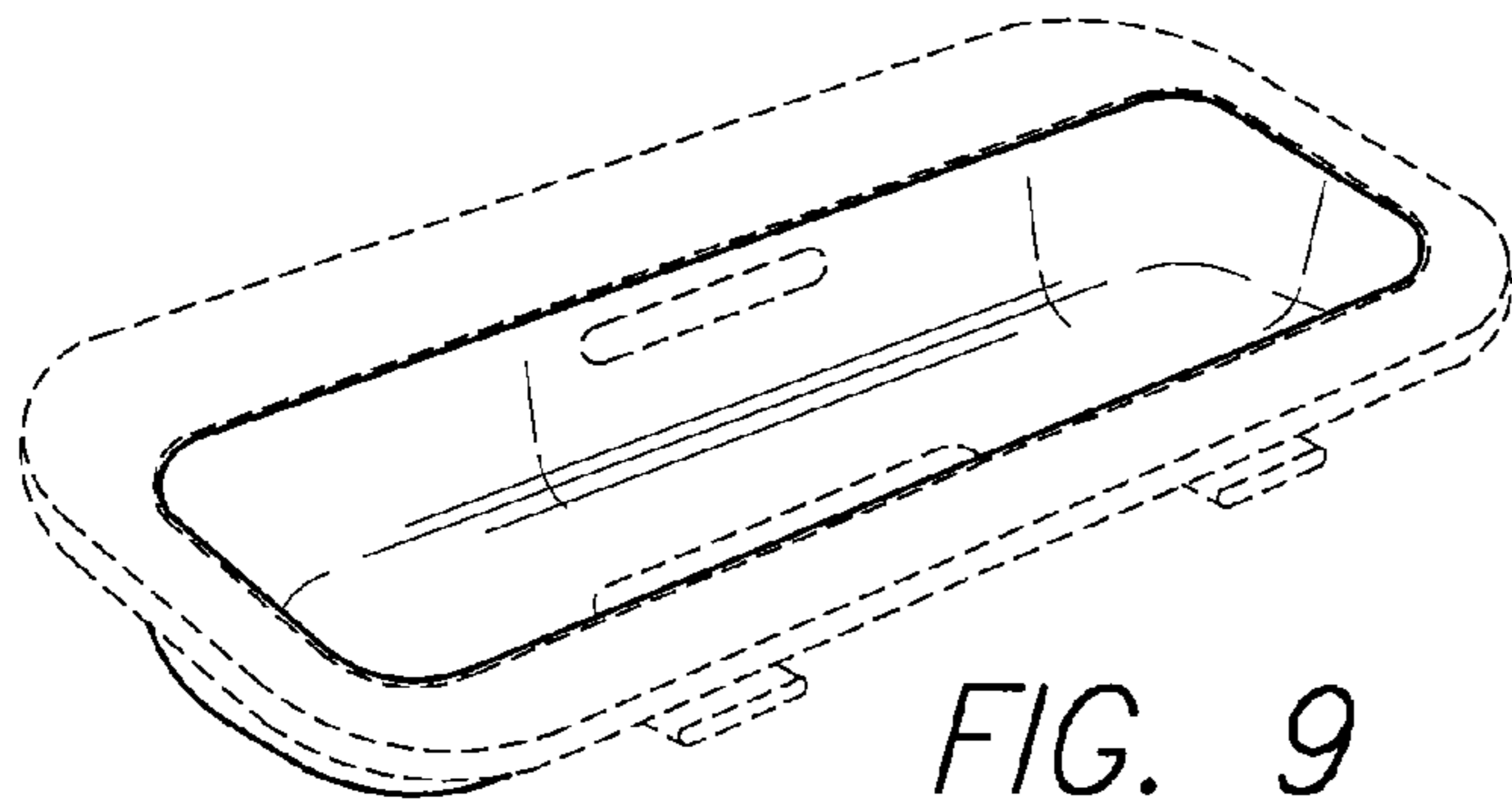


FIG. 9

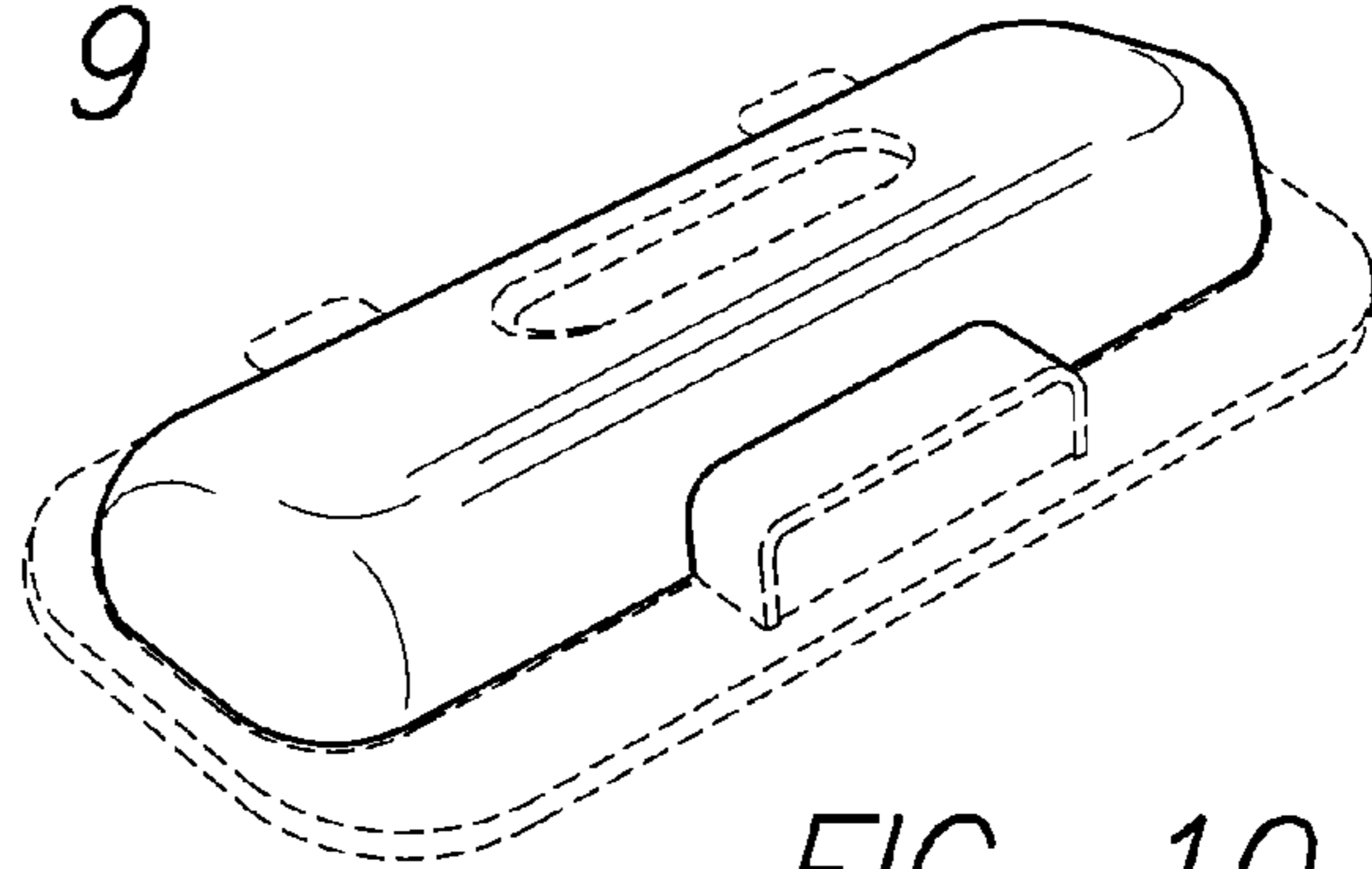


FIG. 10

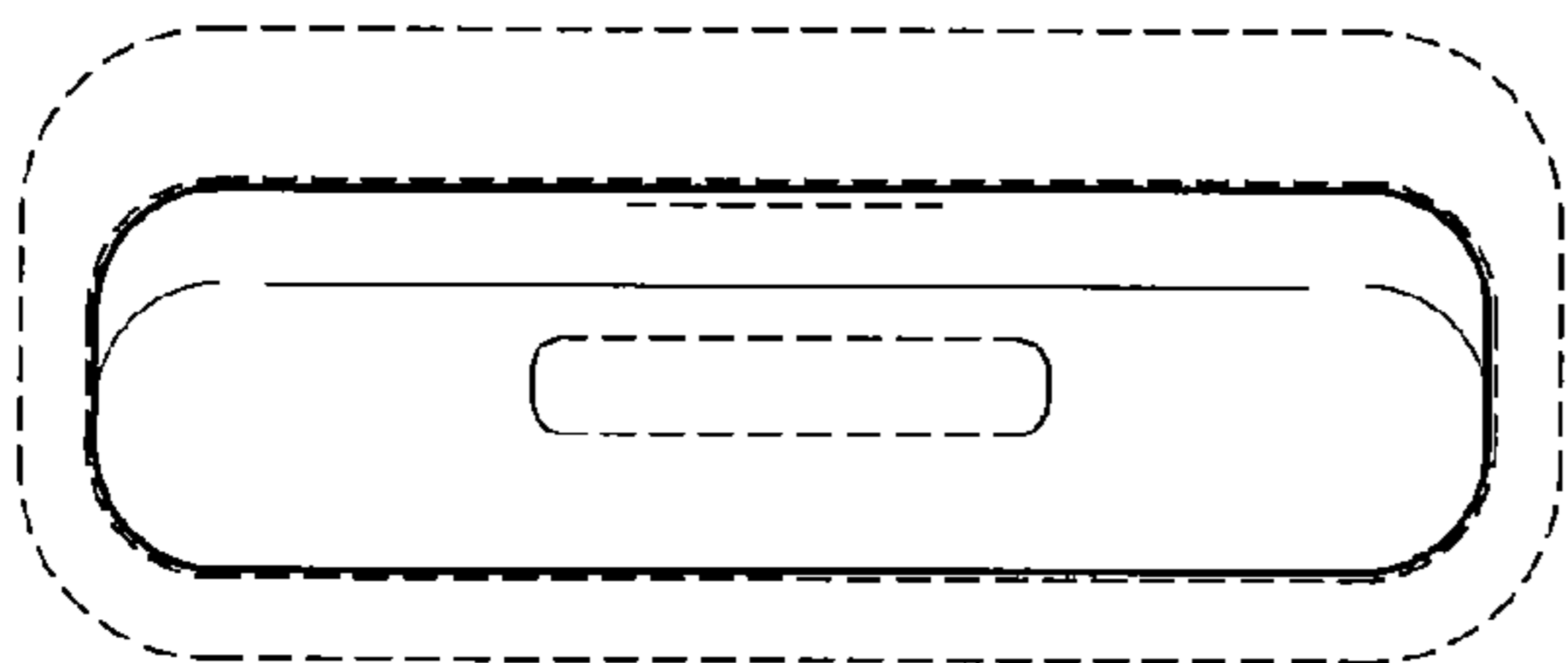


FIG. 11

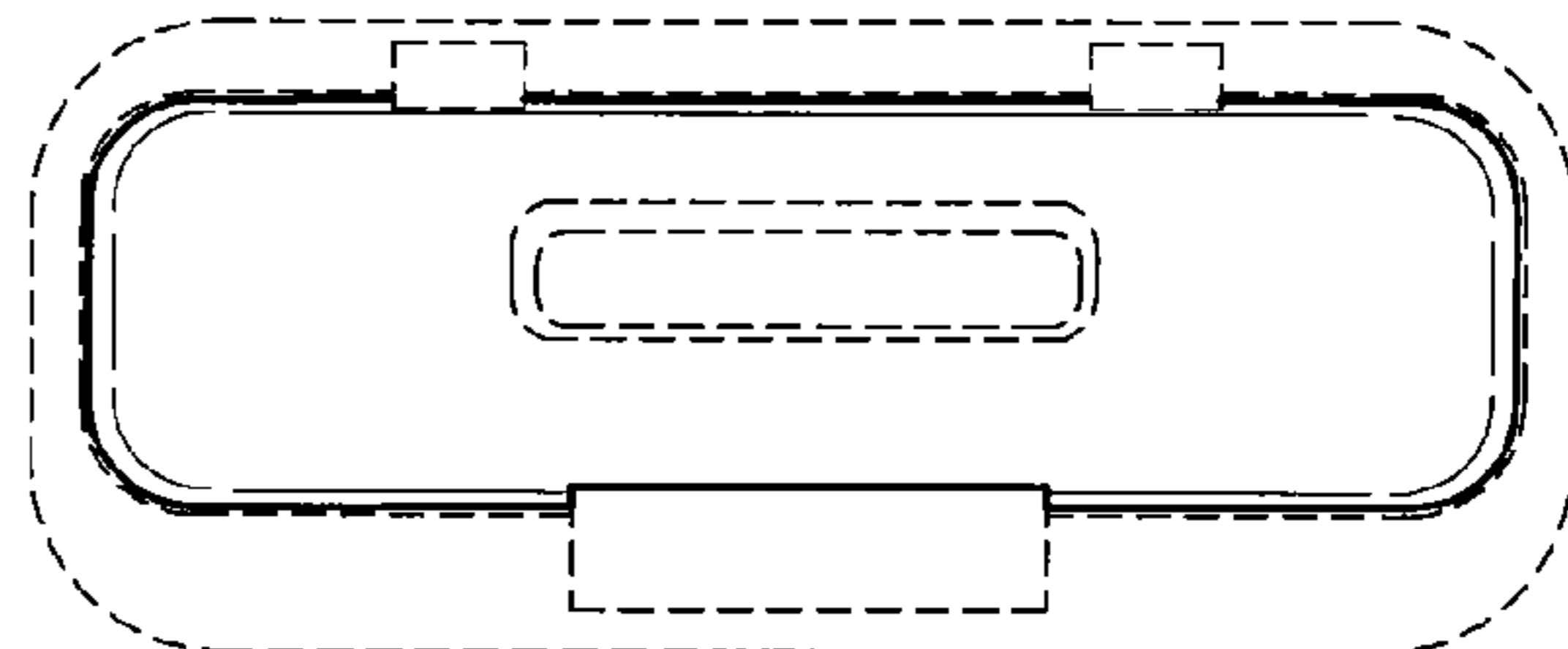


FIG. 12

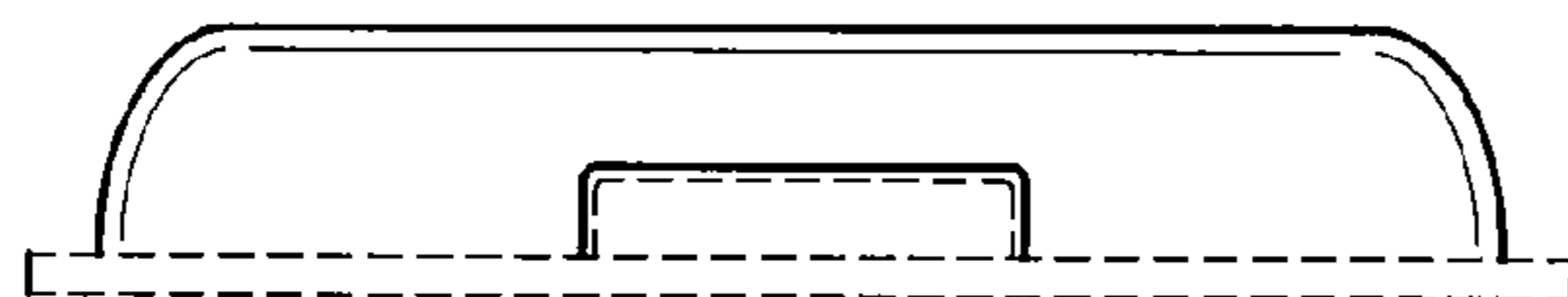


FIG. 13

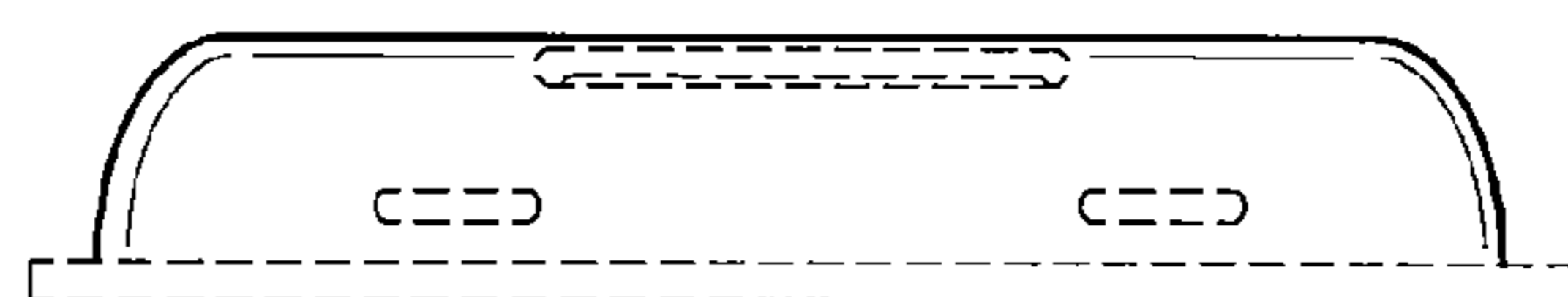


FIG. 14



FIG. 15



FIG. 16

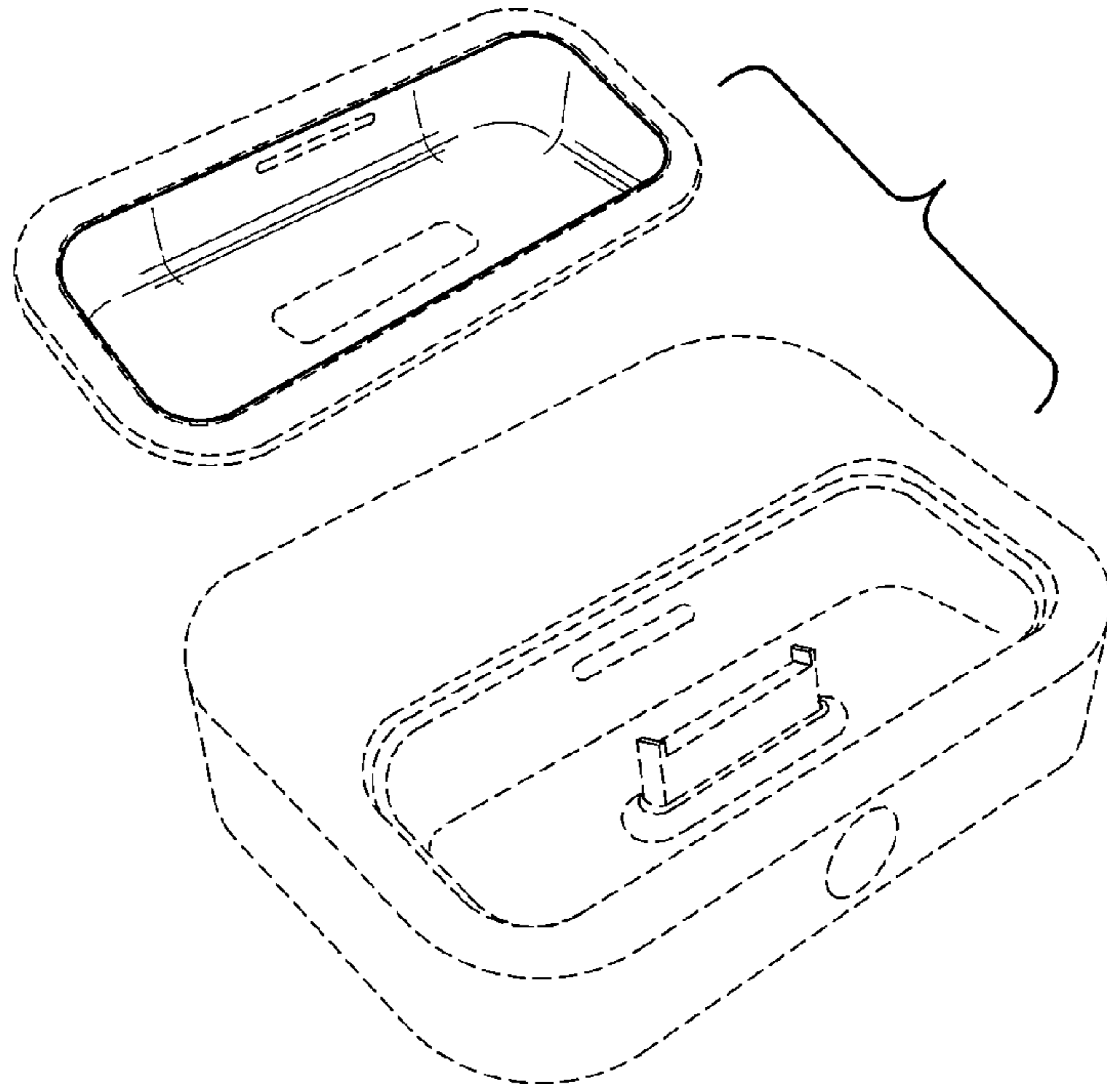


FIG. 17

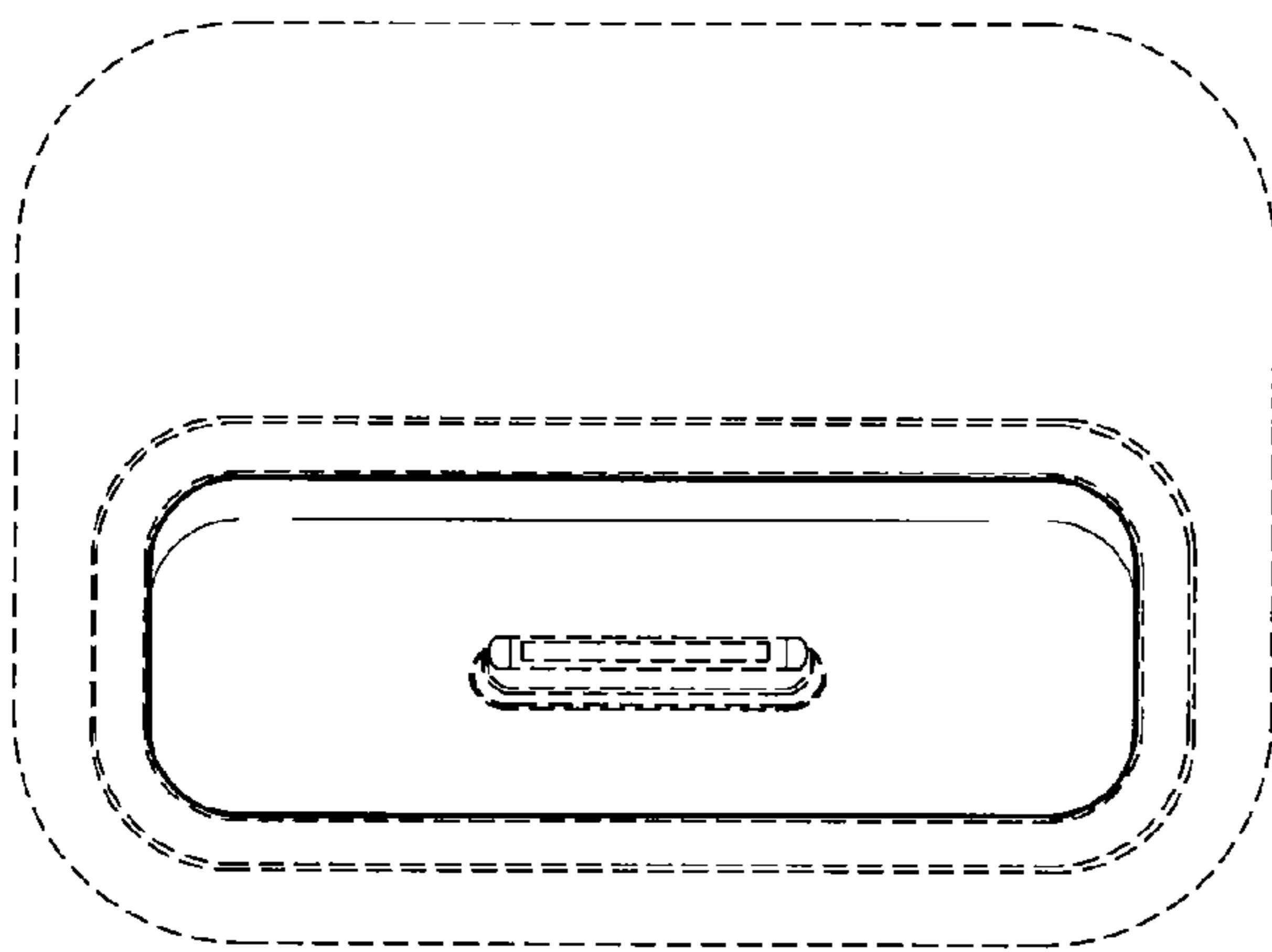


FIG. 18

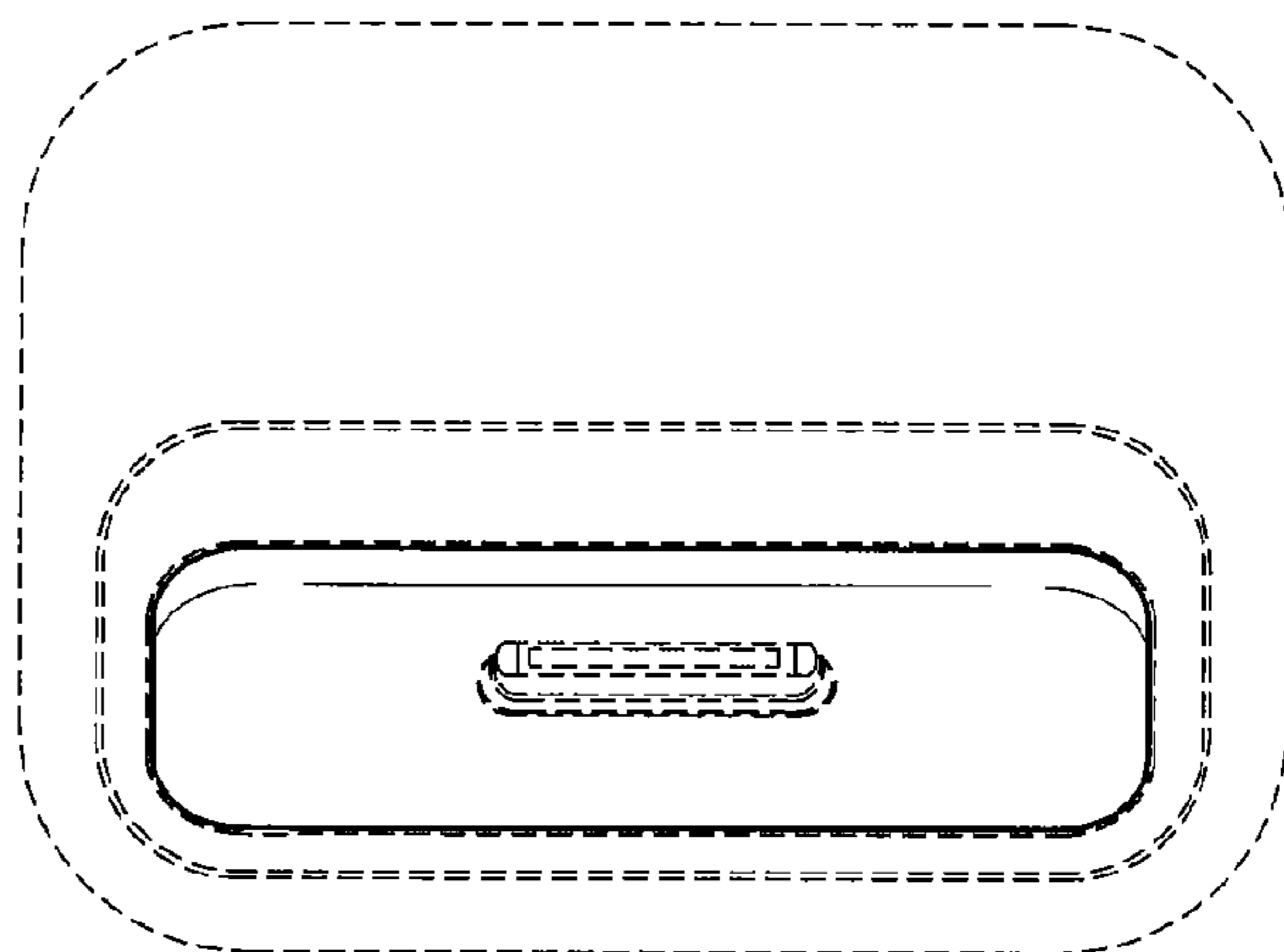


FIG. 19