



US00D595264S

(12) **United States Design Patent**
Andre et al.

(10) **Patent No.:** **US D595,264 S**

(45) **Date of Patent:** **** Jun. 30, 2009**

(54) **STAND**

(75) Inventors: **Bartley K. Andre**, Menlo Park, CA (US); **Daniel J. Coster**, San Francisco, CA (US); **Daniele De Iuliis**, San Francisco, CA (US); **Richard P. Howarth**, San Francisco, CA (US); **Jonathan P. Ive**, San Francisco, CA (US); **Duncan Robert Kerr**, San Francisco, CA (US); **Shin Nishibori**, San Francisco, CA (US); **Matthew Dean Rohrbach**, San Francisco, CA (US); **Douglas B. Satzger**, Menlo Park, CA (US); **Calvin Q. Seid**, Palo Alto, CA (US); **Christopher J. Stringer**, Portola Valley, CA (US); **Eugene Antony Whang**, San Francisco, CA (US); **Rico Zorkendorfer**, San Francisco, CA (US)

(73) Assignee: **Apple Inc.**, Cupertino, CA (US)

(**) Term: **14 Years**

(21) Appl. No.: **29/304,900**

(22) Filed: **Mar. 10, 2008**

Related U.S. Application Data

(63) Continuation of application No. 29/270,883, filed on Jan. 5, 2007, now Pat. No. Des. 568,874, and a continuation of application No. 29/270,884, filed on Jan. 5, 2007, now Pat. No. Des. 571,360.

(51) **LOC (9) Cl.** **14-02**

(52) **U.S. Cl.** **D14/217**

(58) **Field of Classification Search** D14/142, D14/149, 155, 157, 188, 191-193, 230.1-203.8, D14/217, 251, 253, 432-435.1, 447, 451, D14/496, 474, 480.1-480.7; D13/107, 108, D13/118; D3/218; 248/221.11, 309.1; 320/107, 320/110, 113-115; 361/600, 679, 683, 686; 439/529, 534; 455/556.1-556.2, 557

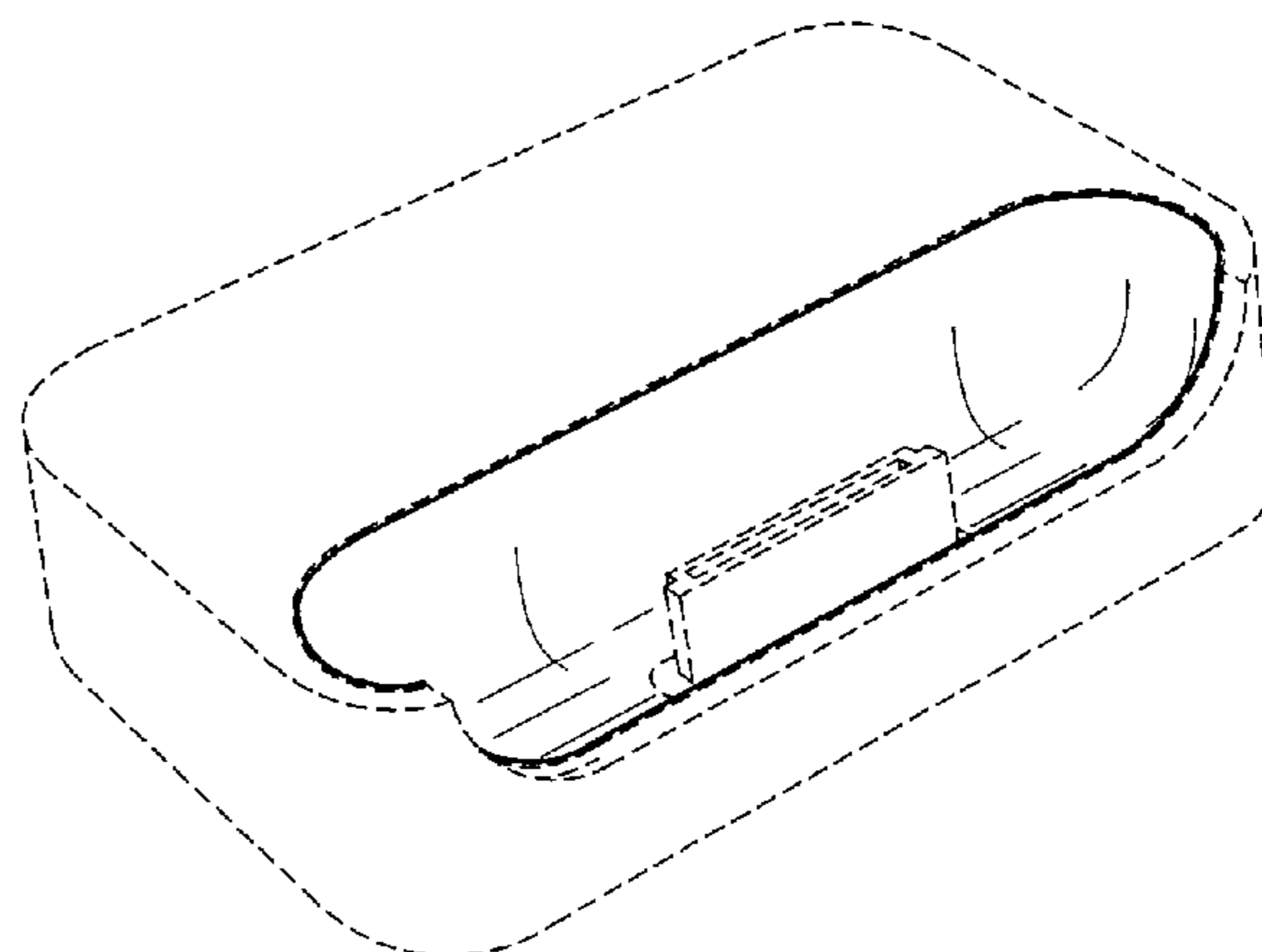
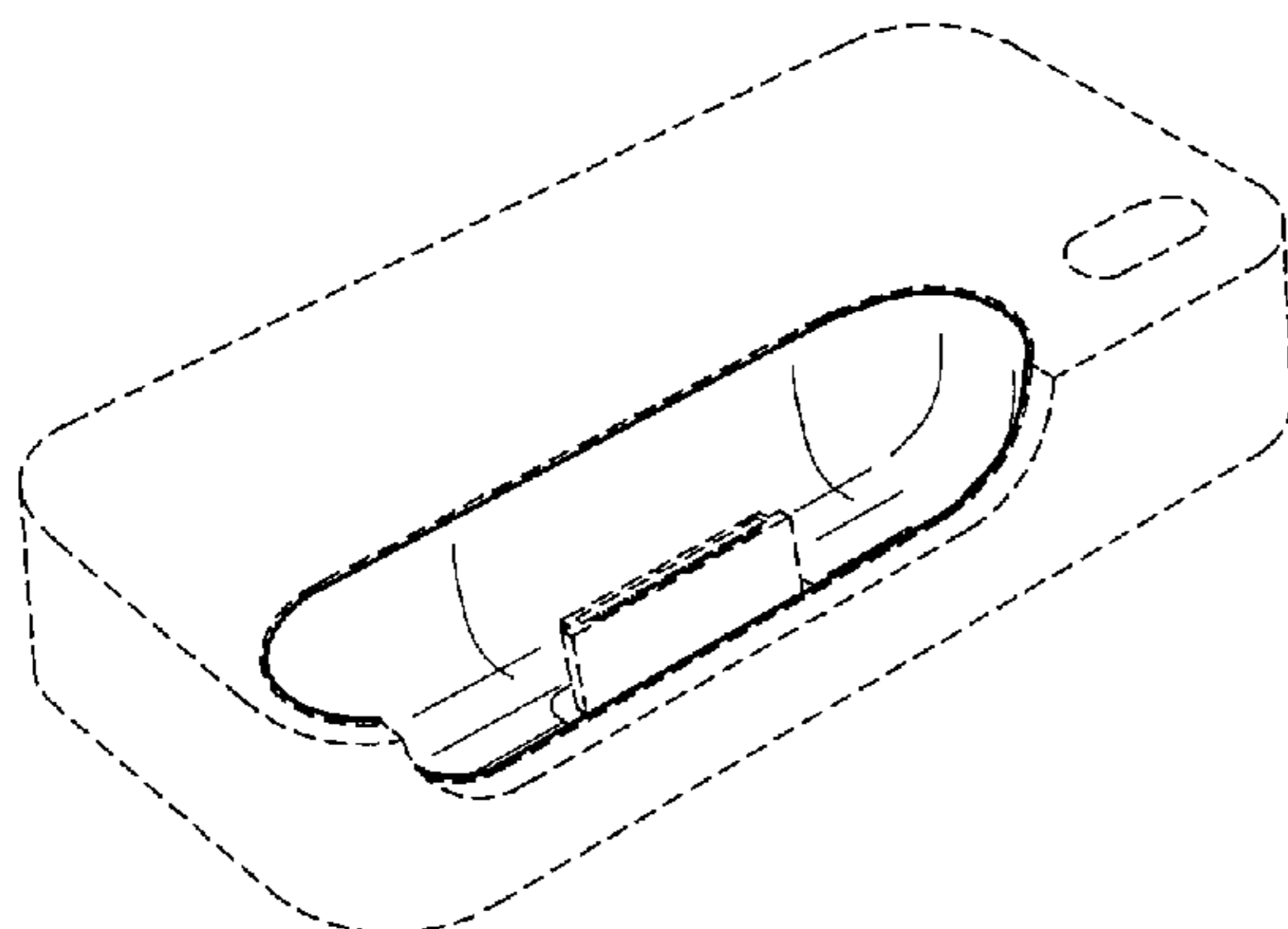
See application file for complete search history.

(56)

References Cited

U.S. PATENT DOCUMENTS

D328,277 S	7/1992	Leman et al.
D336,631 S	6/1993	Ivester
5,280,229 A	1/1994	Faude et al.
D350,330 S	9/1994	Peterson
D358,821 S	5/1995	Hellier et al.
D361,069 S	8/1995	Hellier et al.
D374,858 S	10/1996	Chu
5,600,225 A	2/1997	Goto
5,602,458 A	2/1997	Dowe
5,627,727 A	5/1997	Aguilera et al.
D385,530 S	10/1997	Hames et al.
D388,764 S	1/1998	Bartling et al.
D390,824 S	2/1998	Foster et al.
5,742,149 A	4/1998	Simpson
D397,996 S	9/1998	Smith
D409,987 S	5/1999	Okumura
D411,166 S	6/1999	Uemura et al.
5,926,005 A	7/1999	Holcomb et al.
5,952,814 A	9/1999	Van Lerberghe
D416,536 S	11/1999	Ross et al.
D419,160 S	1/2000	Davidson et al.
6,042,414 A	3/2000	Kunert
D422,556 S	4/2000	Okura et al.
D439,908 S	4/2001	Gozani
D440,542 S	4/2001	Hawkins et al.
D442,939 S	5/2001	Goldenburg
D444,121 S	6/2001	Chun et al.
D444,124 S	6/2001	Casey et al.
6,307,348 B1	10/2001	Green
D450,707 S	11/2001	Francavilla et al.
D454,332 S	3/2002	Yokoyama
D459,299 S	6/2002	Hughes et al.
D461,476 S	8/2002	Evers et al.
D463,361 S	9/2002	Ruohonen
D466,122 S	11/2002	Moody
D468,305 S	1/2003	Ma et al.
6,524,240 B1	2/2003	Thede
D472,900 S	4/2003	Matsumoto
D477,823 S	7/2003	Lavello, Sr.
6,711,005 B2	3/2004	Martin
D488,440 S	4/2004	Senda
D495,336 S	8/2004	Andre et al.
6,798,647 B2	9/2004	Dickie
6,813,528 B1	11/2004	Yang
6,898,080 B2	5/2005	Yin et al.



D508,459	S	8/2005	Yoshida
D509,790	S	9/2005	Sakai
D510,091	S	9/2005	Mori et al.
D520,945	S	5/2006	Hayamizu
D520,946	S	5/2006	Nasu
D525,616	S	7/2006	Andre et al.
7,075,579	B2	7/2006	Whitby et al.
D526,321	S	8/2006	Hayes et al.
D530,717	S	10/2006	Mori et al.
D532,005	S	11/2006	Leith
7,145,603	B2	12/2006	Whitby et al.
D535,614	S	1/2007	Majanen et al.
D551,212	S	9/2007	Andre et al.
D551,213	S	9/2007	Andre et al.
D552,085	S	10/2007	Andre et al.
D558,738	S	1/2008	Andre et al.
D558,739	S	1/2008	Andre et al.
D567,800	S	4/2008	Andre et al.
D568,297	S	5/2008	Andre et al.
D571,360	S	6/2008	Andre et al.
D578,512	S	10/2008	Andre et al.
2002/0103008	A1	8/2002	Rahn et al.
2003/0198015	A1	10/2003	Vogt
2006/0250764	A1	11/2006	Howarth et al.
2007/0047198	A1	3/2007	Crooijmans et al.

FOREIGN PATENT DOCUMENTS

JP	D1268220	4/2006
JP	D1268238	4/2006
JP	D1275123	6/2006
KR	3003964460000	10/2005
TW	201249	8/1981

OTHER PUBLICATIONS

“iPod Dock Cradle”, downloaded Apr. 11, 2003, www.bookendzdocks.com/bookendz/dock_cradel.htm.
 “BookEndz Home Page”, downloaded Apr. 11, 2003, www.bookendzdocks.com/bookendz/index.htm.
 U.S. Appl. No. 29/237,687 entitled “Docking Station” filed Aug. 24, 2005.
 “Atech Flash Technology iduo ipod Dock and card Reader”, www.the-gadgeteer.com, downloaded Nov. 21, 2005.
 “Adaptec xHub for Notebooks”, http://www.everythingusb.com/hardware/index/Adaptec_xHub_for_Notebooks.htm, downloaded Nov. 22, 2005.
 “Belkin’s Top loading USB Hub for iPod shuffle”, http://www.everythingusb.com/belkin_hispeed_usb_2.0_4-port_hub.html, downloaded Nov. 22, 2005.
 “Belkin Hi-Speed USB 2.07.sub.—Port Hub”, http://www.everythingusb.com/hardware/index/Belkin_Hi-Speed_USB_2.0_7-Port_Hub..., downloaded Nov. 22, 2005.

Search Report for Taiwan New Design Patent Application No. 096303173.

Primary Examiner—Stella M Reid
Assistant Examiner—Keli L Hill
 (74) *Attorney, Agent, or Firm*—Sterne Kessler Goldstein & Fox P.L.L.C.

(57) **CLAIM**

The ornamental design for a stand, substantially as shown and described.

DESCRIPTION

FIG. 1 is a front perspective view of a stand showing our new design;
 FIG. 2 is a top view thereof;
 FIG. 3 is a bottom view thereof;
 FIG. 4 is a front view thereof;
 FIG. 5 is a rear view thereof;
 FIG. 6 is a right view thereof;
 FIG. 7 is a left view thereof;
 FIG. 8 is a front view of the stand of FIG. 1 with first and second electronic devices placed therein;
 FIG. 9 is a right side view of the stand of FIG. 1 with first and second electronic devices placed therein;
 FIG. 10 is a front perspective view of another stand showing our new design;
 FIG. 11 is a top view thereof;
 FIG. 12 is a bottom view thereof;
 FIG. 13 is a front view thereof;
 FIG. 14 is a rear view thereof;
 FIG. 15 is a right view thereof;
 FIG. 16 is a left view thereof;
 FIG. 17 is a front view of the stand of FIG. 10 with an electronic device placed therein; and,
 FIG. 18 is a right side view of the stand of FIG. 10 with an electronic device placed therein.

The broken lines in the Figures are for illustrative purposes only and form no part of the claimed design.

1 Claim, 6 Drawing Sheets

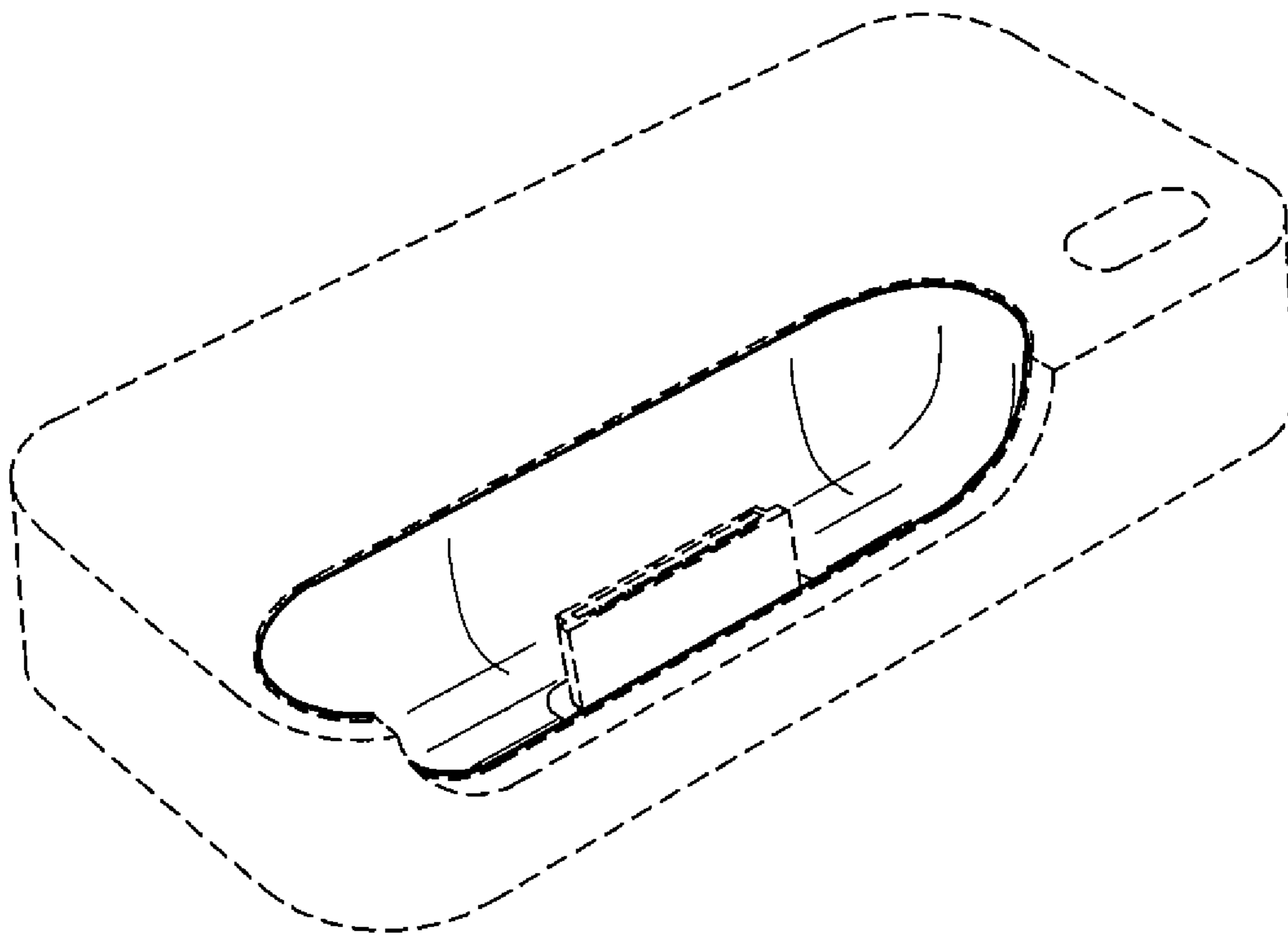


FIG. 1

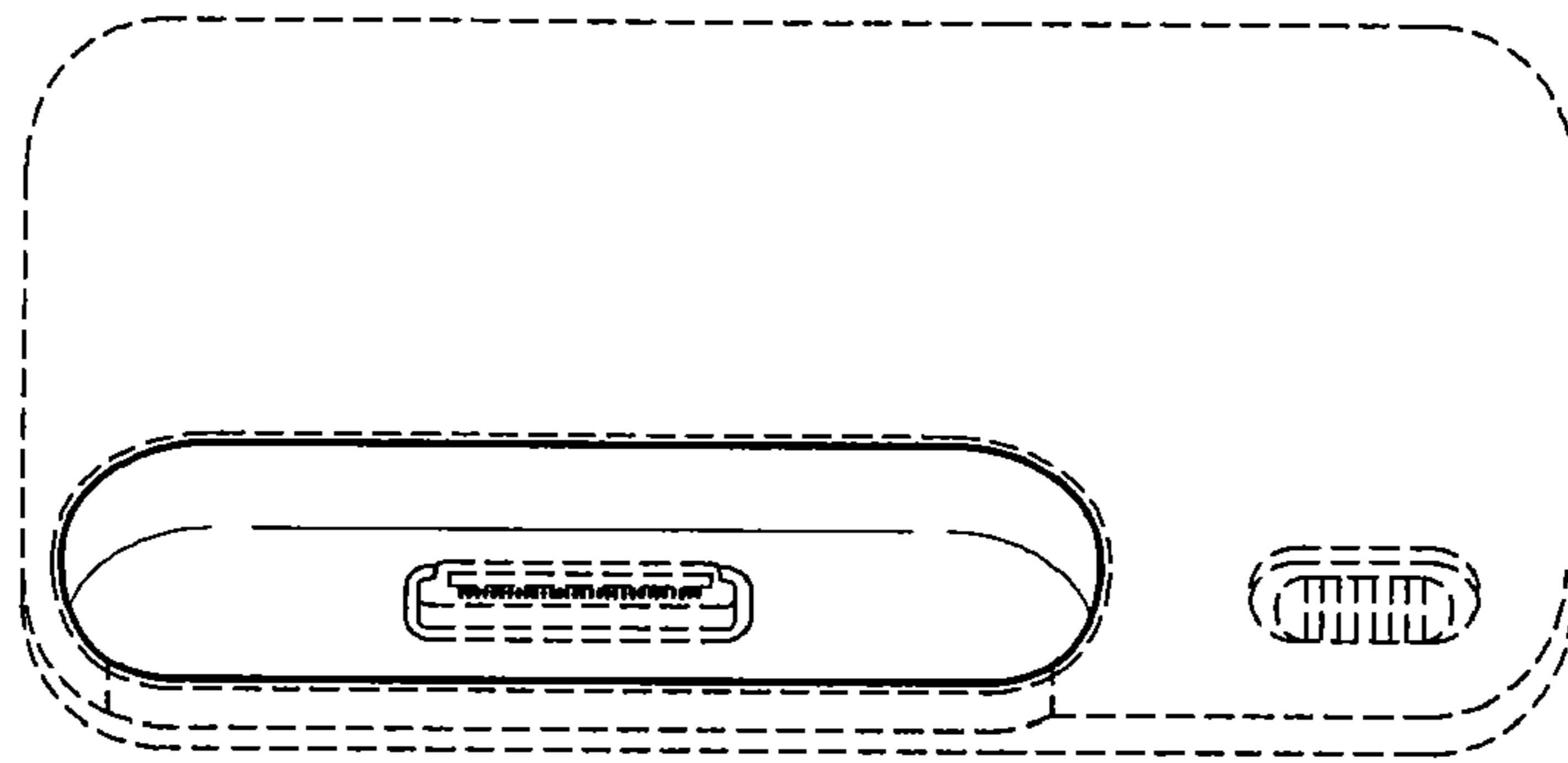


FIG. 2



FIG. 3

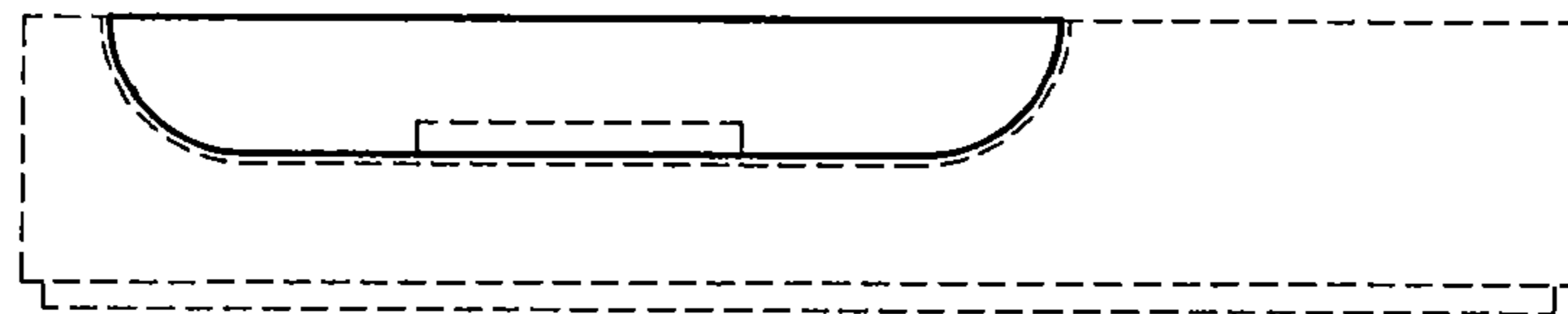


FIG. 4

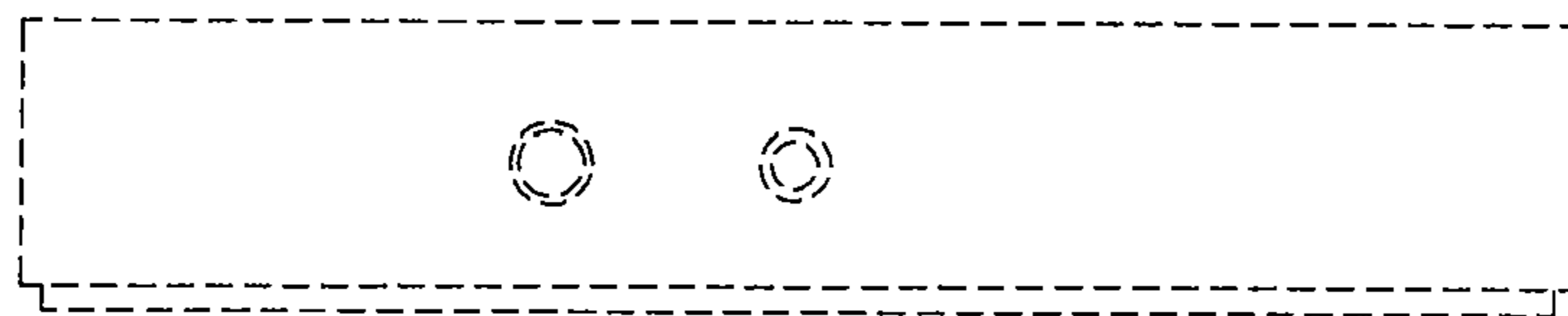


FIG. 5



FIG. 6



FIG. 7

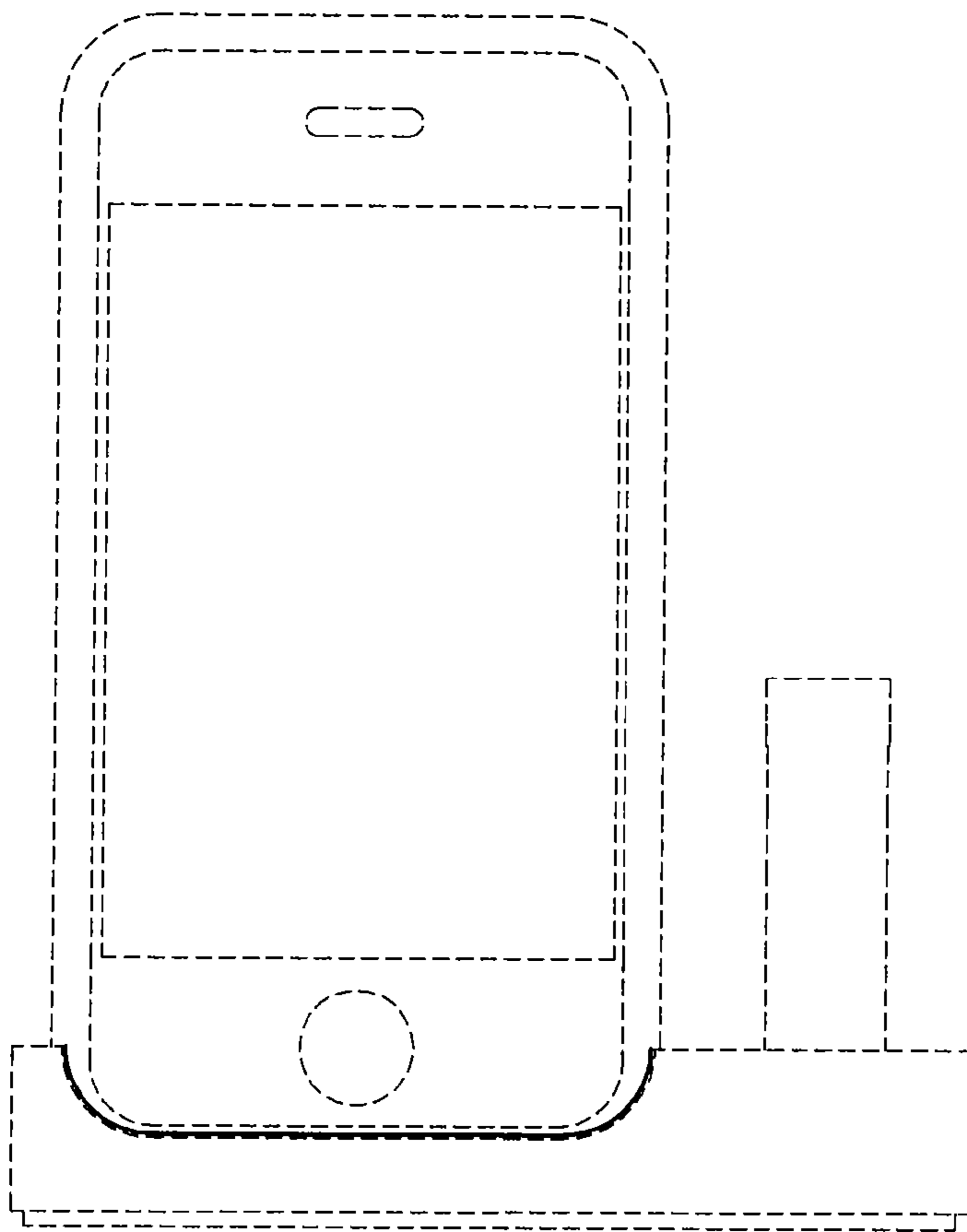


FIG. 8

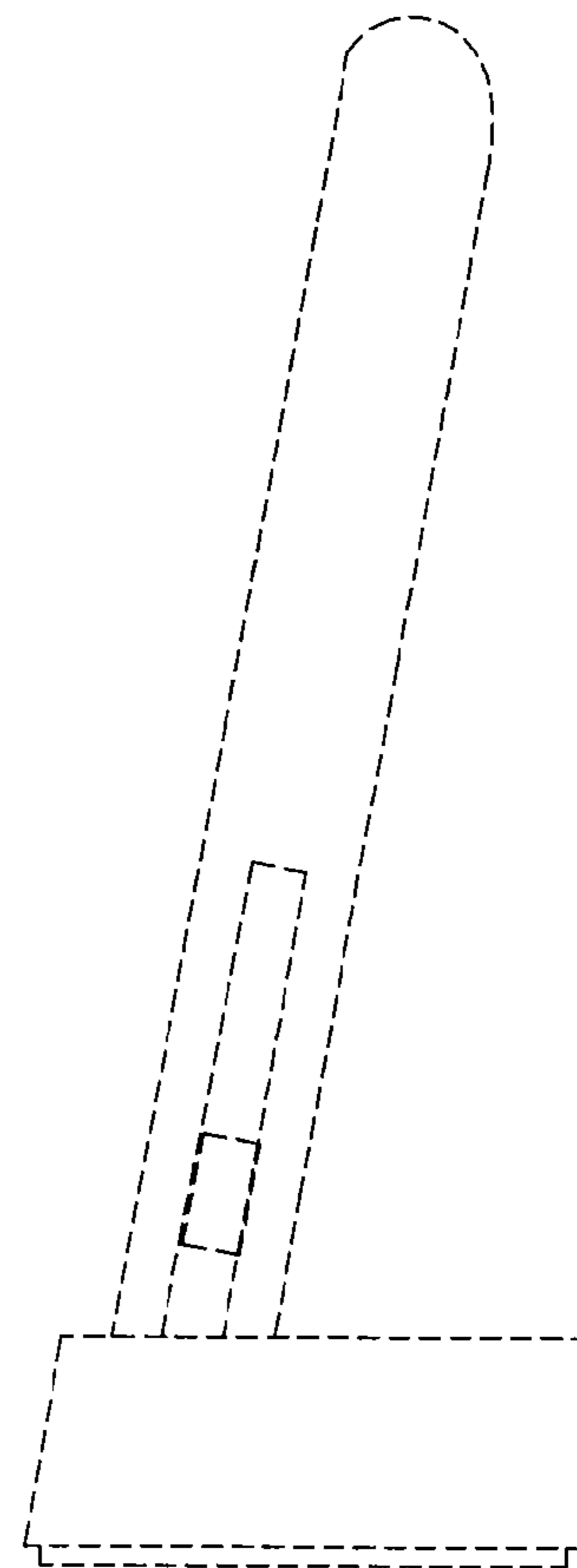


FIG. 9

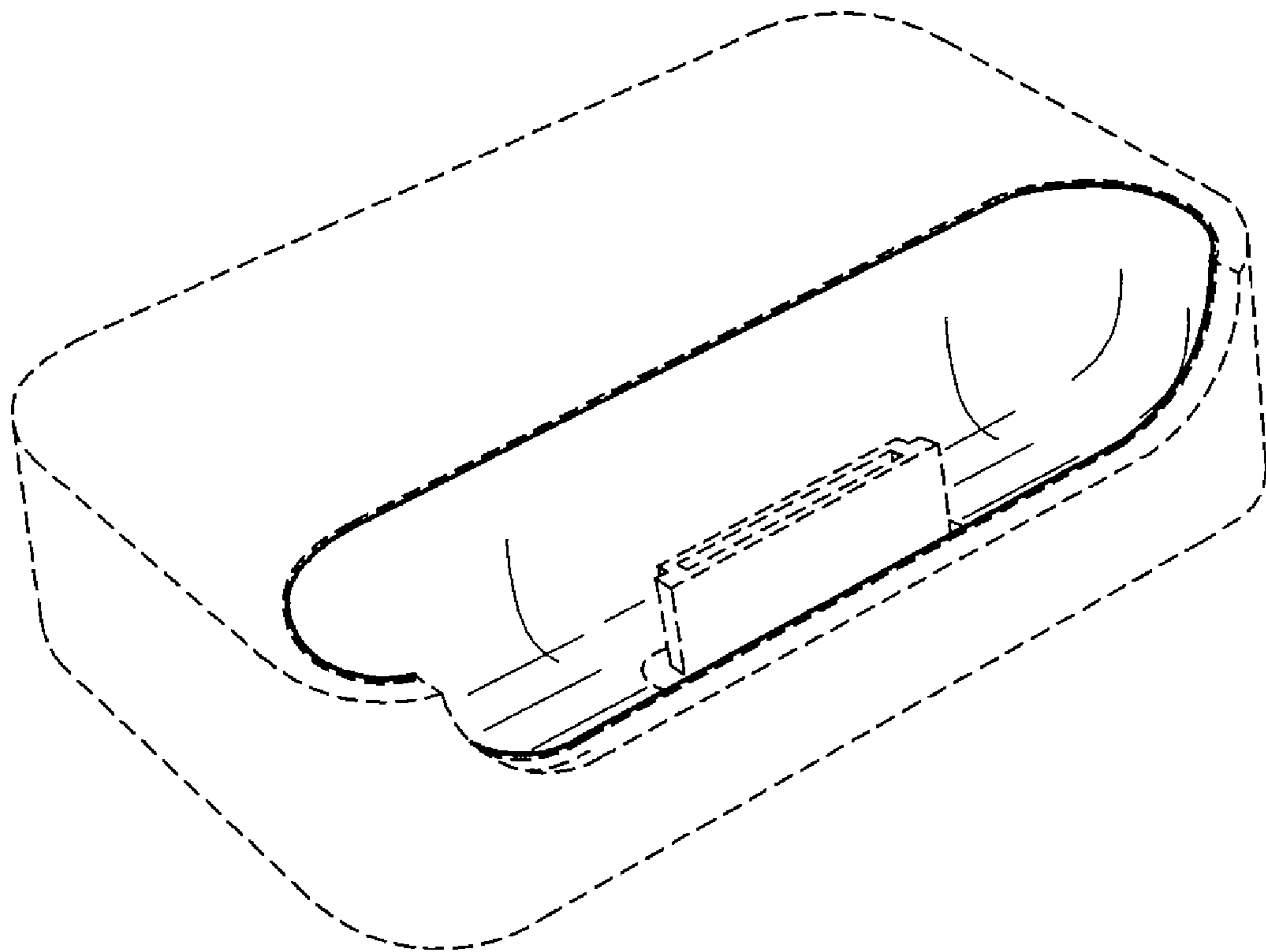


FIG. 10

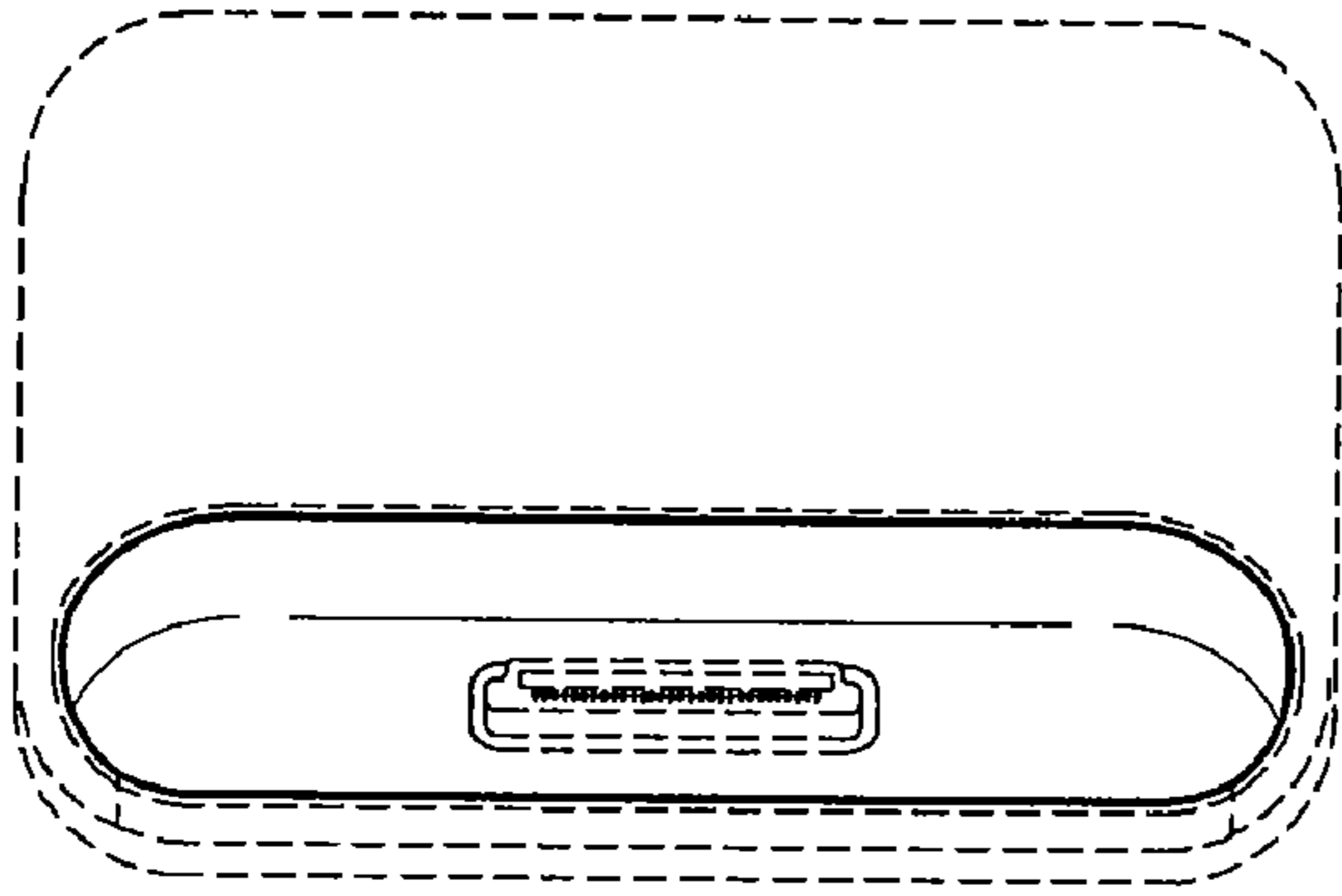


FIG. 11



FIG. 12

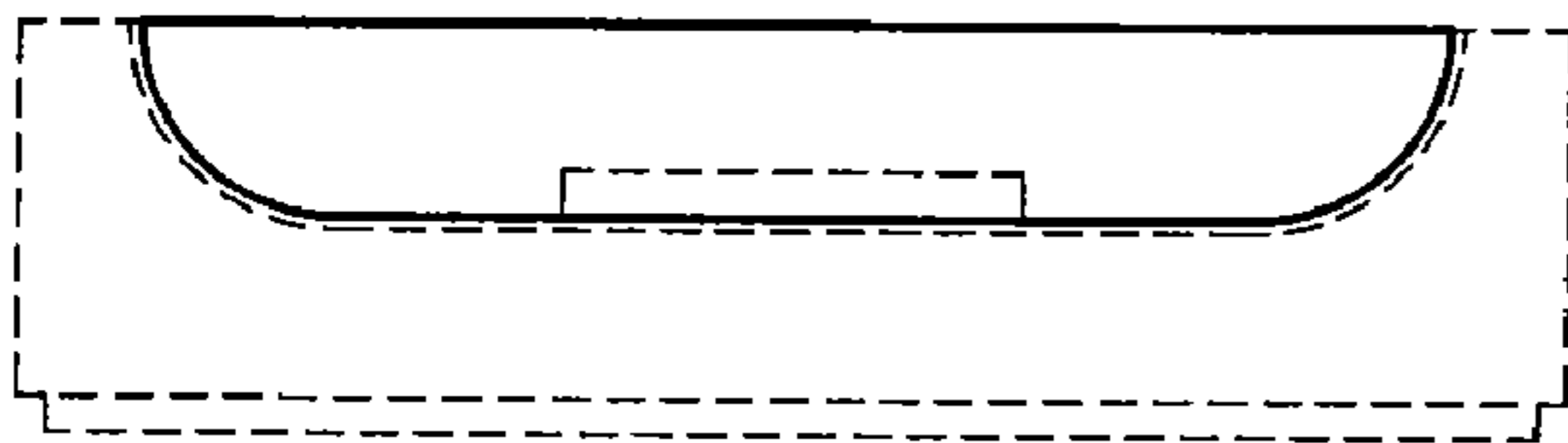


FIG. 13

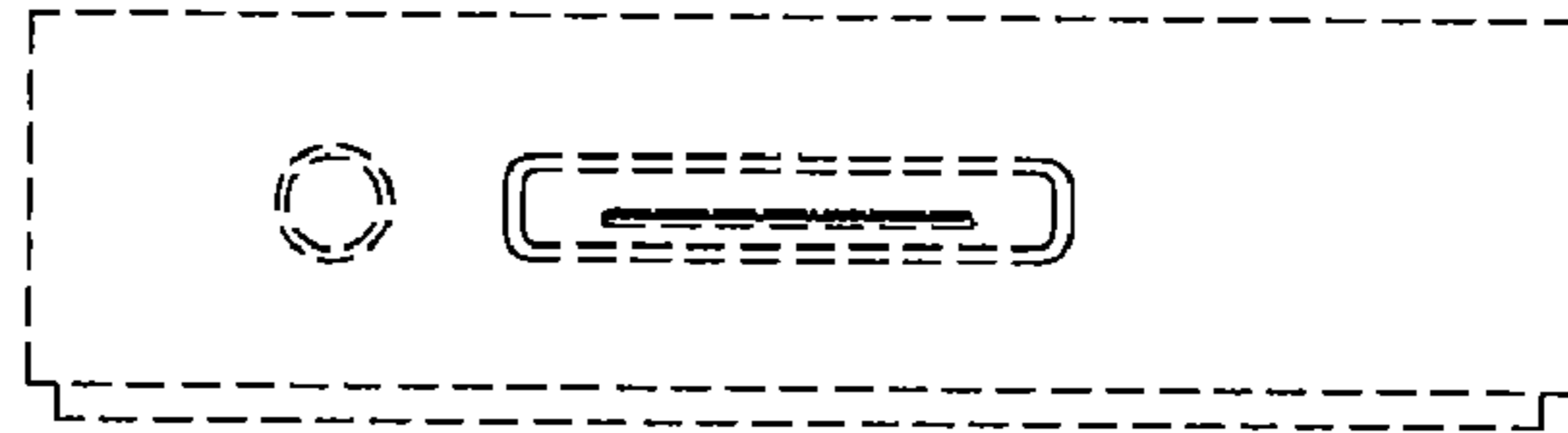


FIG. 14



FIG. 15



FIG. 16

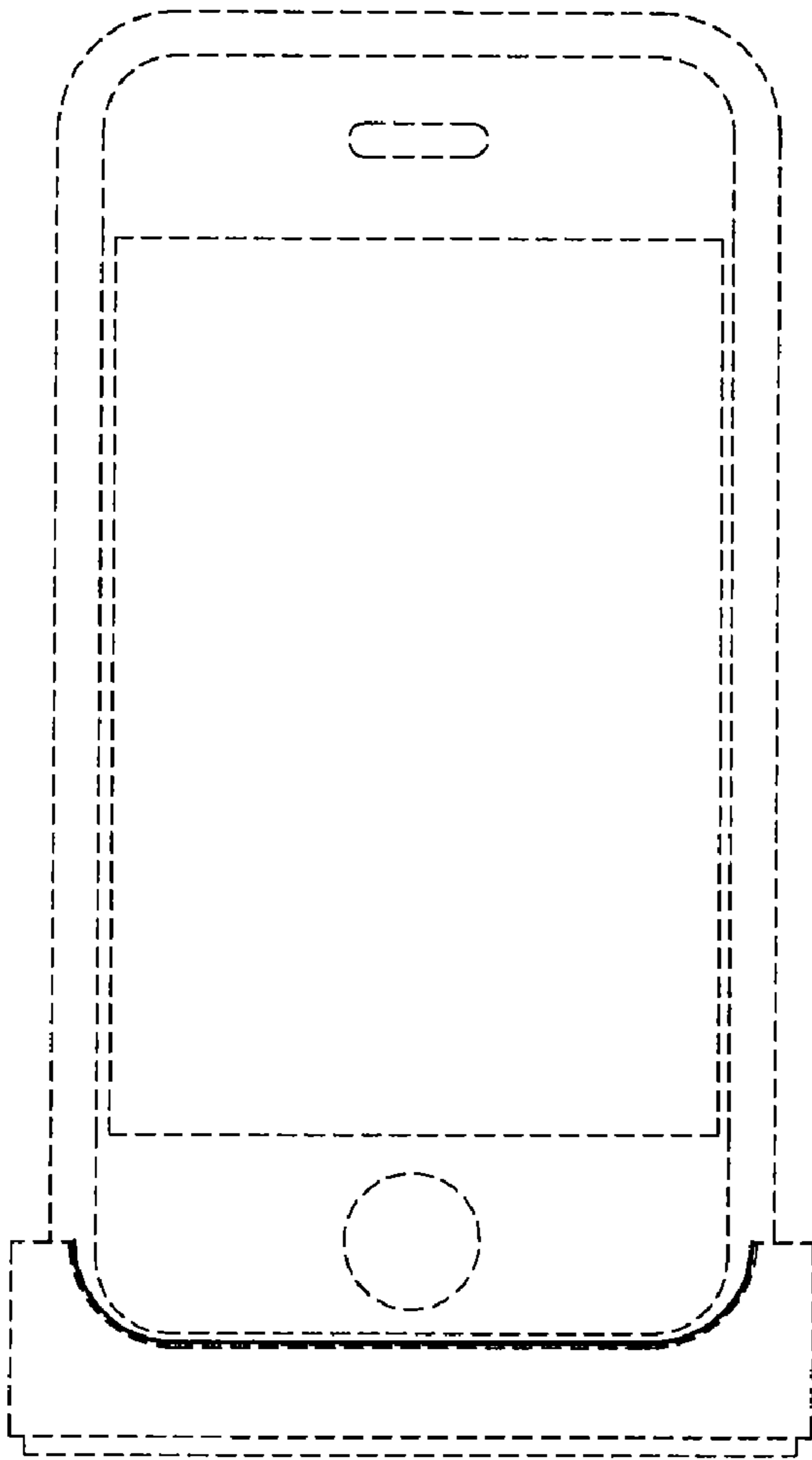


FIG. 17

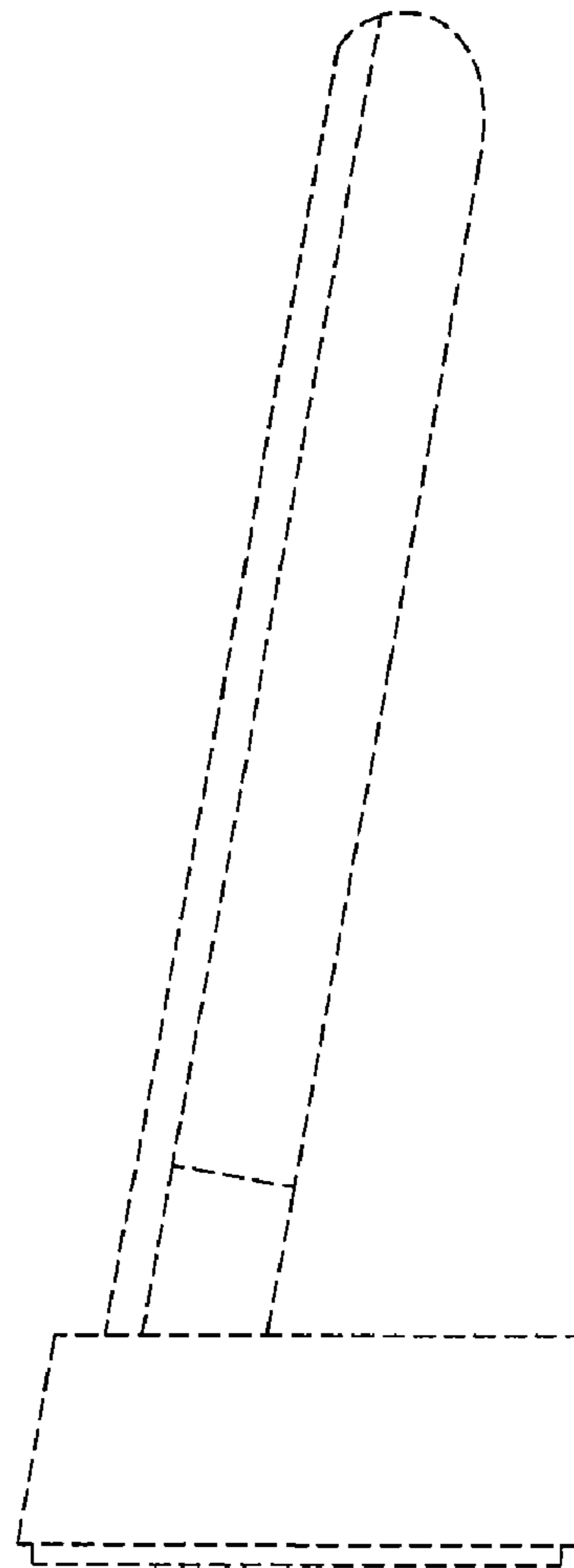


FIG. 18