



US00D595262S

(12) **United States Design Patent**  
**Nousiainen**

(10) **Patent No.:** **US D595,262 S**  
(45) **Date of Patent:** **\*\* Jun. 30, 2009**

(54) **HEADSET CONTROL UNIT**

(75) Inventor: **Esa Nousiainen**, Vantaa (FI)

(73) Assignee: **Nokia Corporation**, Espoo (FI)

(\*\*) Term: **14 Years**

(21) Appl. No.: **29/319,717**

(22) Filed: **Jun. 13, 2008**

(51) **LOC (9) Cl.** ..... **14-01**

(52) **U.S. Cl.** ..... **D14/206**

(58) **Field of Classification Search** ..... D14/206,  
D14/205, 223, 137, 138, 218, 240, 242, 192,  
D14/156, 167, 168; D10/106; D13/158;  
D16/237, 202; 379/420.03, 420.04; 455/151.1,  
455/151.2, 151.3, 151.4; 340/568.1; 348/734  
See application file for complete search history.

(56) **References Cited**

**U.S. PATENT DOCUMENTS**

D314,964 S *	2/1991	Chung	.....	D14/192
D430,547 S *	9/2000	Yoon	.....	D14/142
D430,860 S *	9/2000	Yoon	.....	D14/142
D435,580 S *	12/2000	Grinkus	.....	D17/99
D457,513 S *	5/2002	Pirelli et al.	.....	D14/223
D458,246 S *	6/2002	Davies et al.	.....	D14/206
D458,247 S *	6/2002	Davies et al.	.....	D14/206
D458,248 S *	6/2002	Davies et al.	.....	D14/206
D458,597 S *	6/2002	Davies et al.	.....	D14/206
D460,443 S *	7/2002	Brunner et al.	.....	D14/240
D462,945 S *	9/2002	Skulley	.....	D14/218
D463,787 S *	10/2002	Beraut et al.	.....	D14/218
D464,949 S *	10/2002	DeKalb et al.	.....	D14/218
D465,476 S *	11/2002	Golding et al.	.....	D14/238.1

D465,477 S *	11/2002	Beraut et al.	.....	D14/218
6,674,364 B1 *	1/2004	Holbrook et al.	.....	340/568.1
D486,819 S *	2/2004	Wilson	.....	D14/240
D496,031 S *	9/2004	Ma et al.	.....	D14/240
D524,295 S *	7/2006	Jacobson et al.	.....	D14/218
D542,280 S *	5/2007	Taylor	.....	D14/218
D554,630 S *	11/2007	Ma	.....	D14/240
D566,695 S *	4/2008	Rath	.....	D14/223
D576,611 S *	9/2008	Wilson et al.	.....	D14/225
D577,713 S *	9/2008	Kim et al.	.....	D14/218

\* cited by examiner

*Primary Examiner*—Paula Greene

(74) *Attorney, Agent, or Firm*—Banner & Witcoff, Ltd.

(57) **CLAIM**

The ornamental design for a headset control unit, as shown and described.

**DESCRIPTION**

FIG. 1 is a perspective view of a headset control unit showing my new design;

FIG. 2 is a front view thereof;

FIG. 3 is a rear view thereof;

FIG. 4 is a left side view thereof;

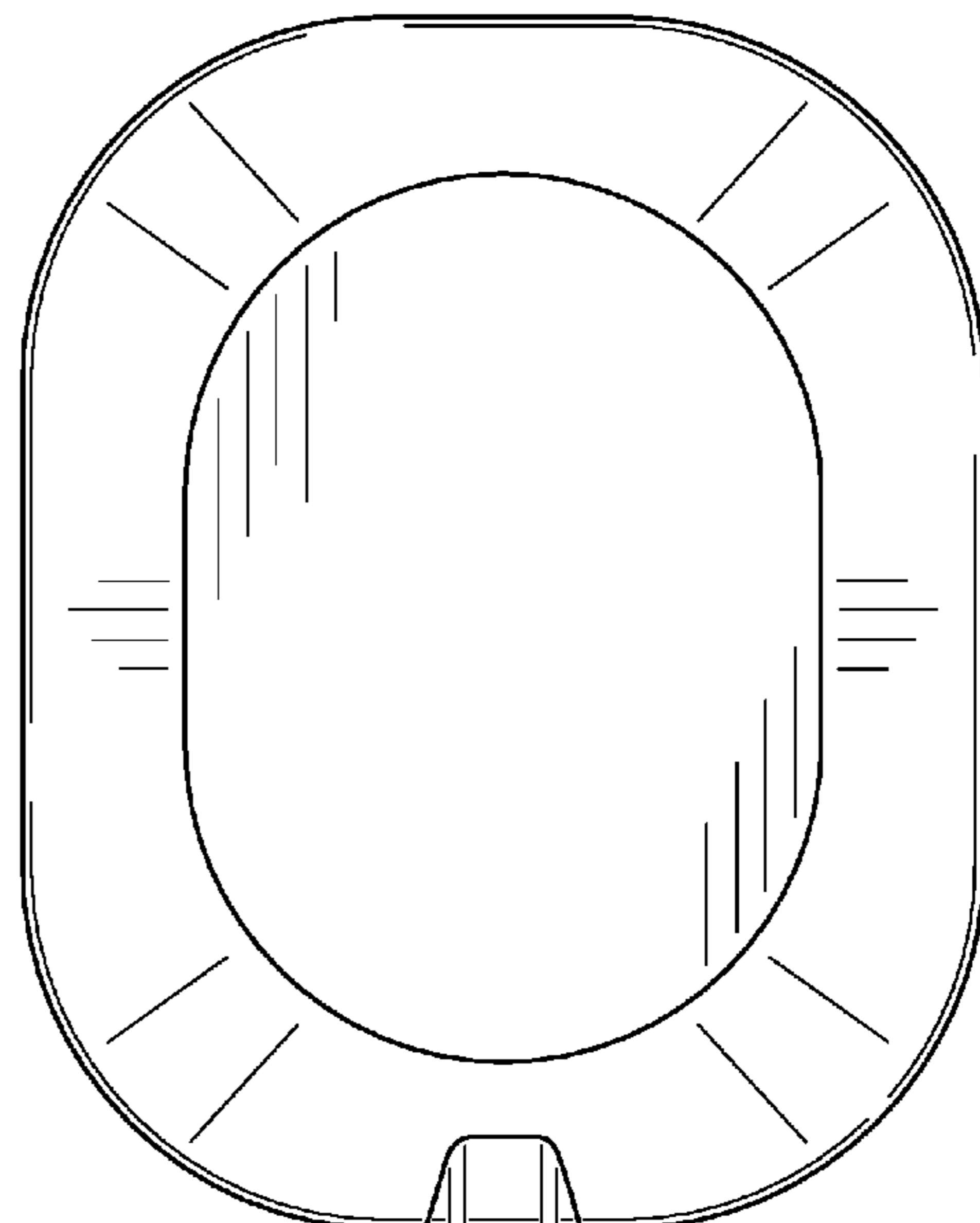
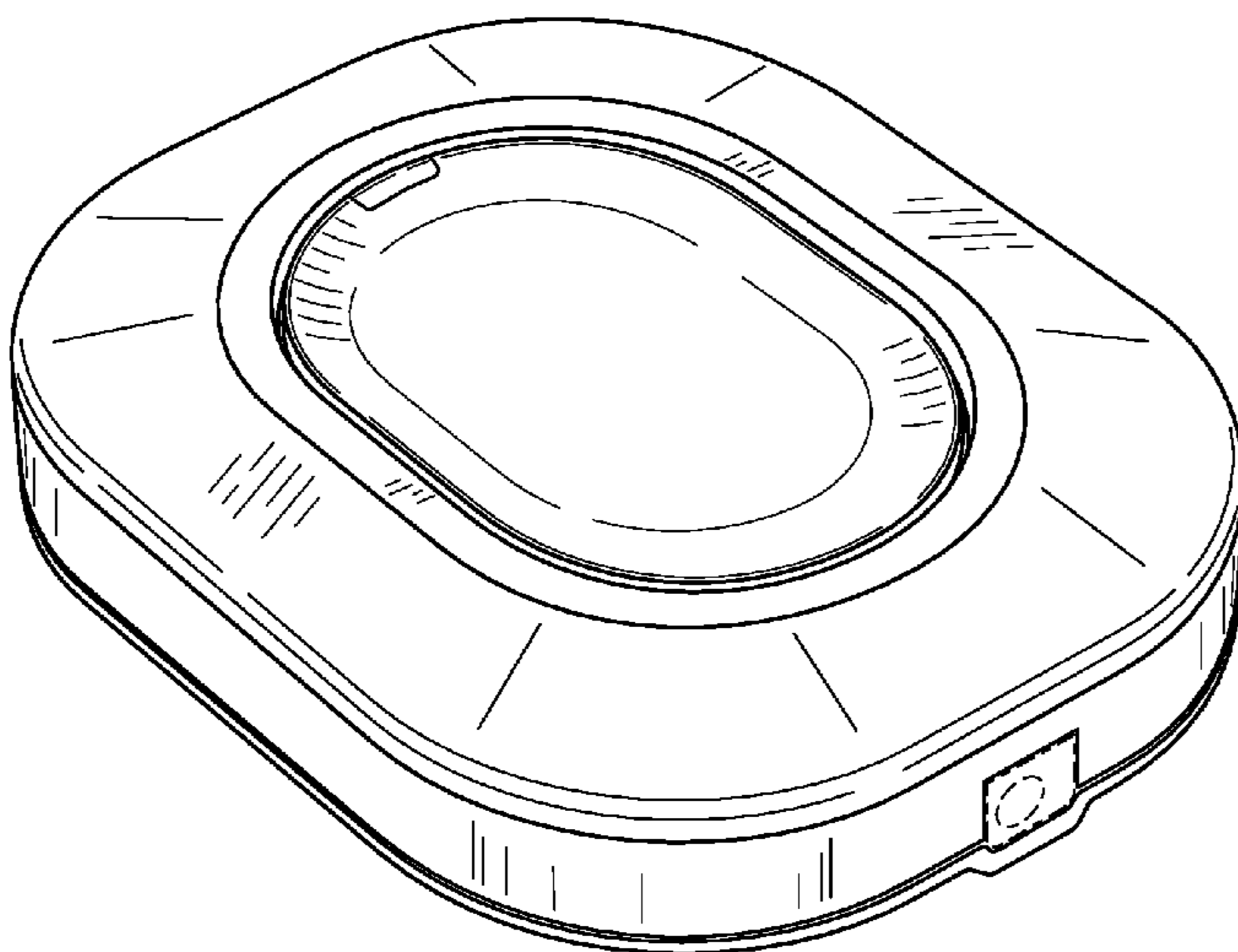
FIG. 5 is a right side view thereof;

FIG. 6 is a top view thereof; and,

FIG. 7 is a bottom view thereof.

The broken lines showing environmental structure in FIGS. 1–7 are for illustrative purposes only and form no part of the claimed design.

**1 Claim, 3 Drawing Sheets**



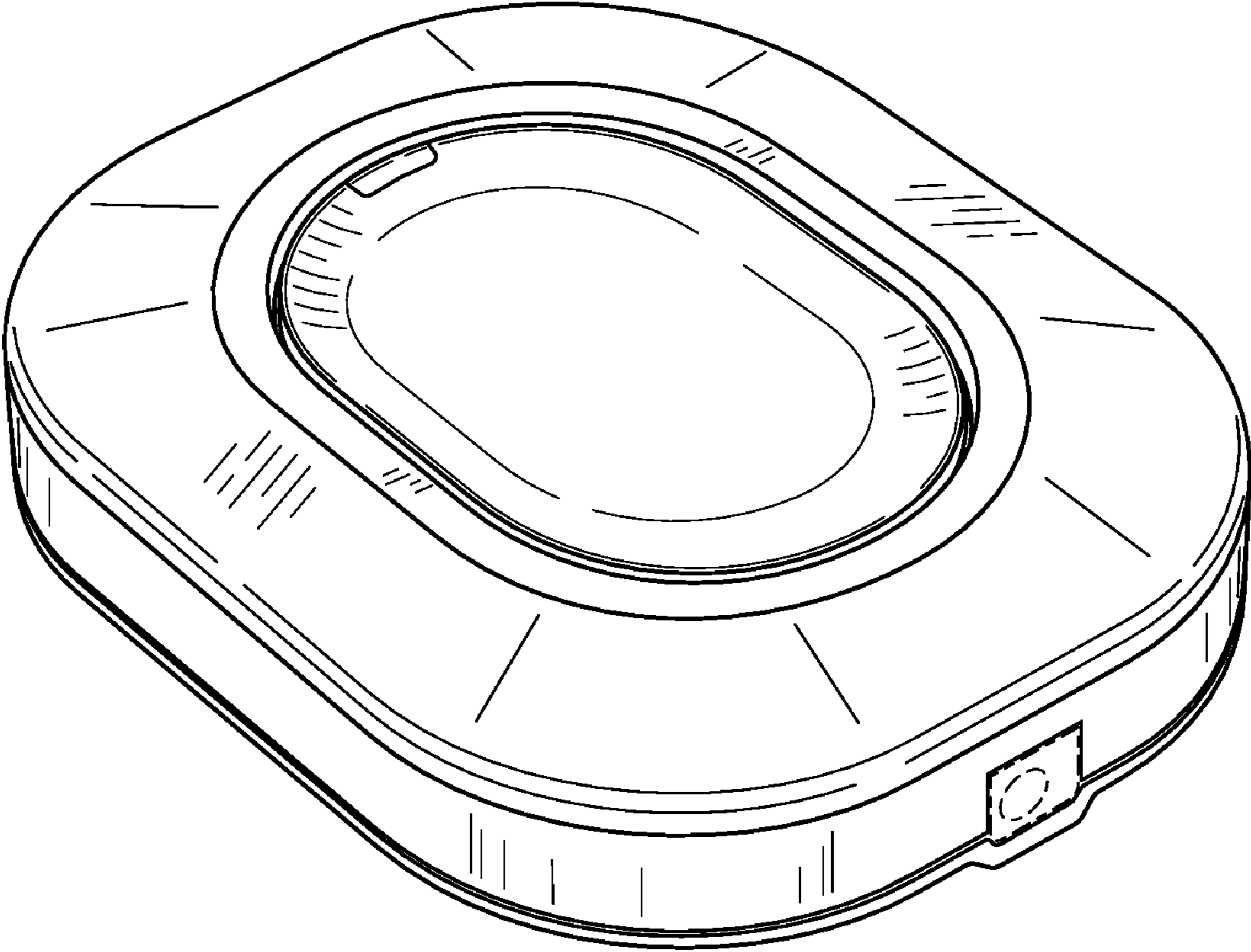


FIG. 1

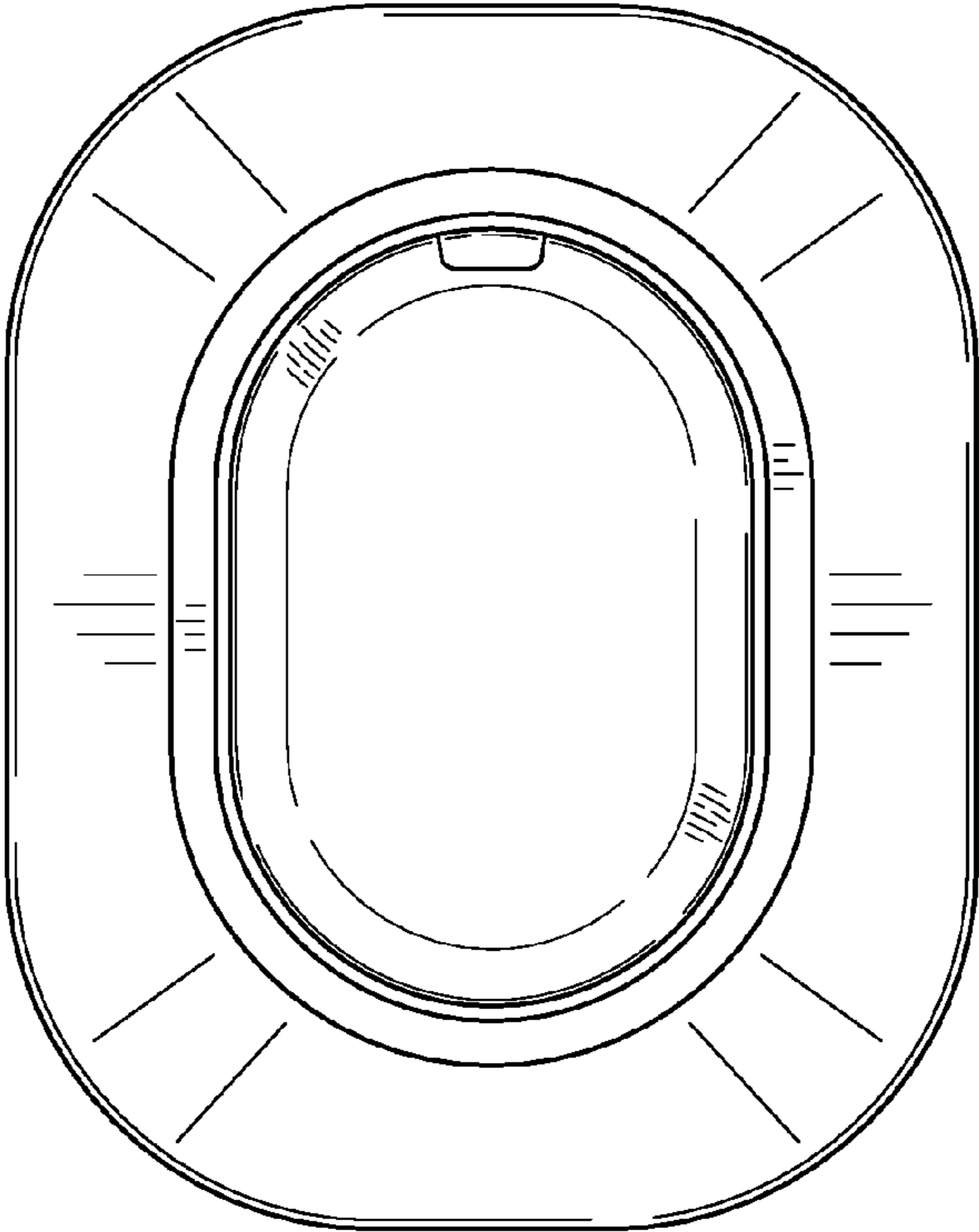


FIG. 2

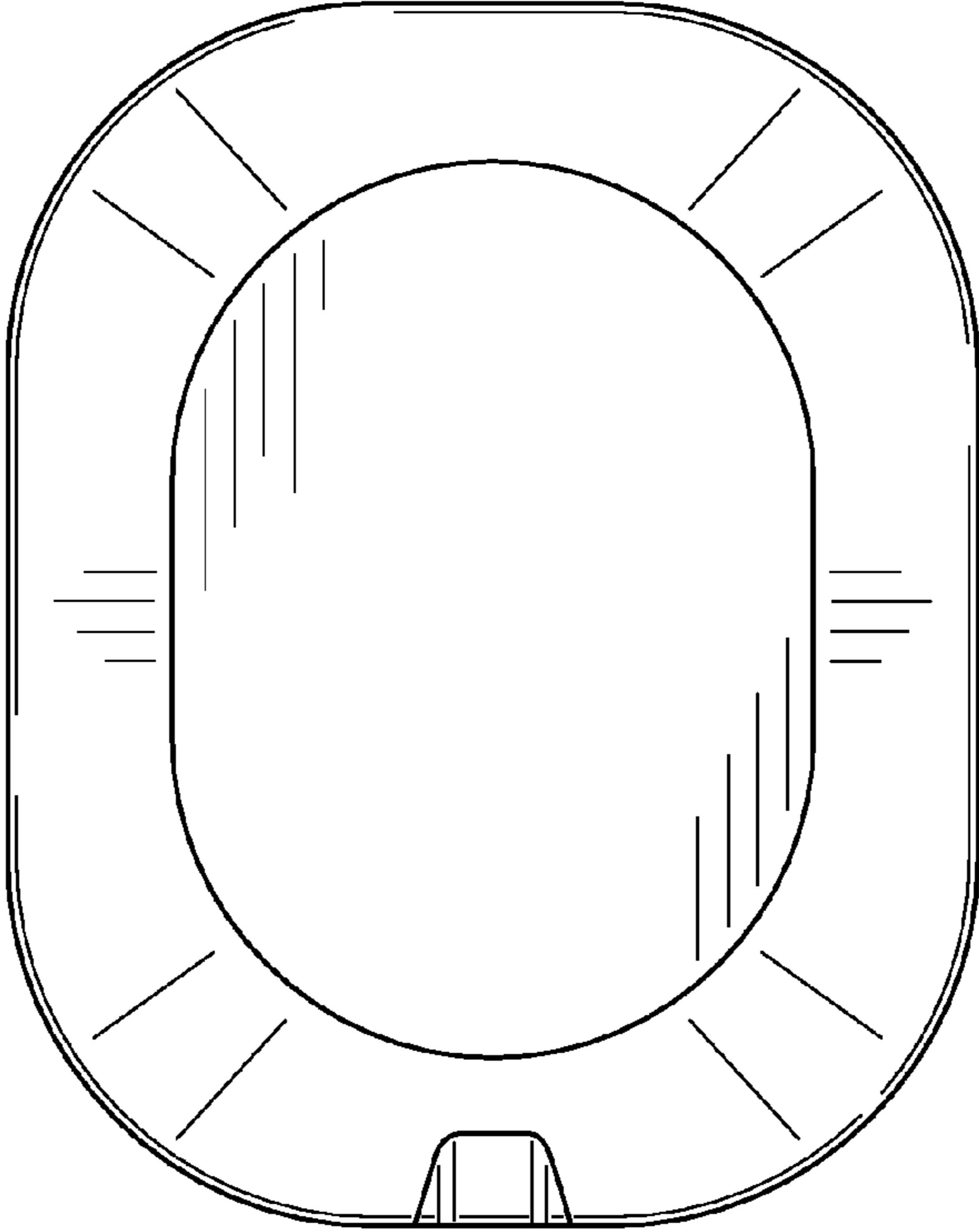


FIG. 3

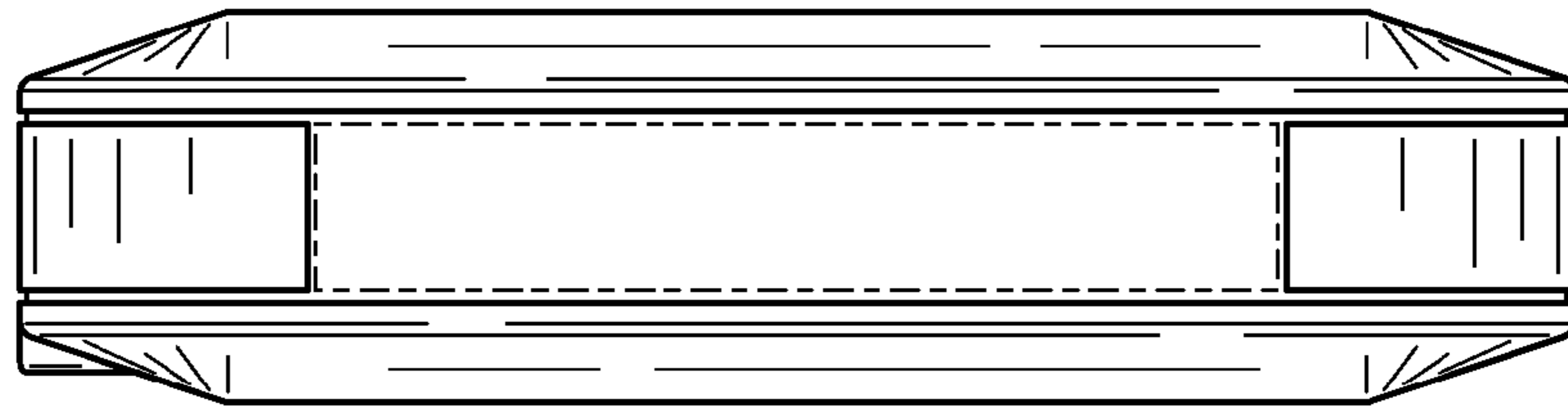


FIG. 4

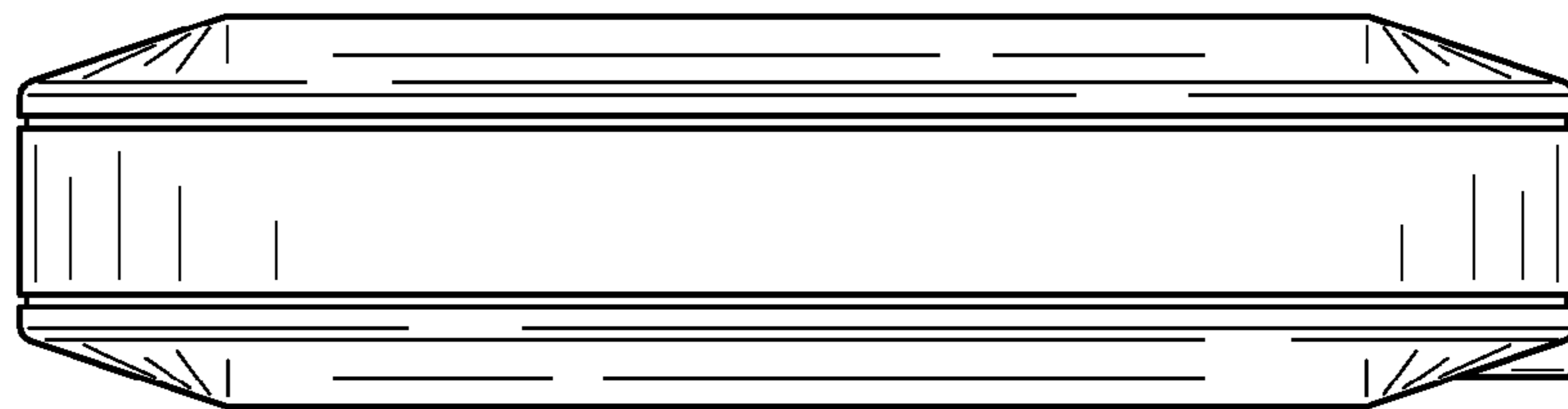


FIG. 5

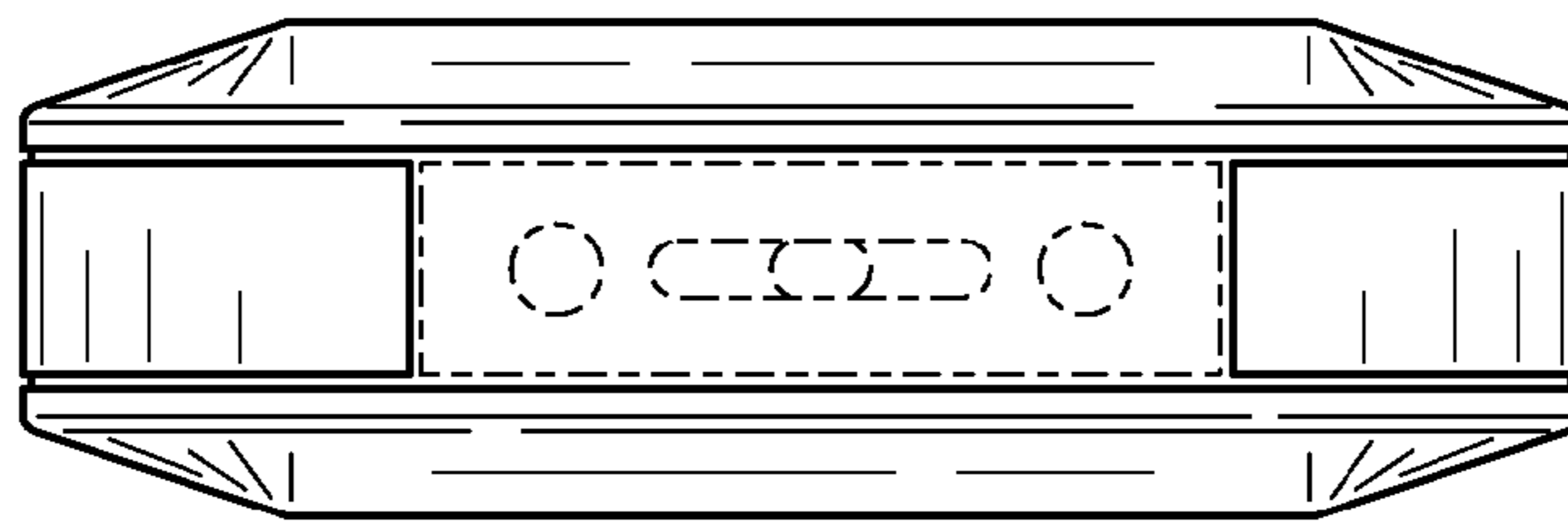


FIG. 6

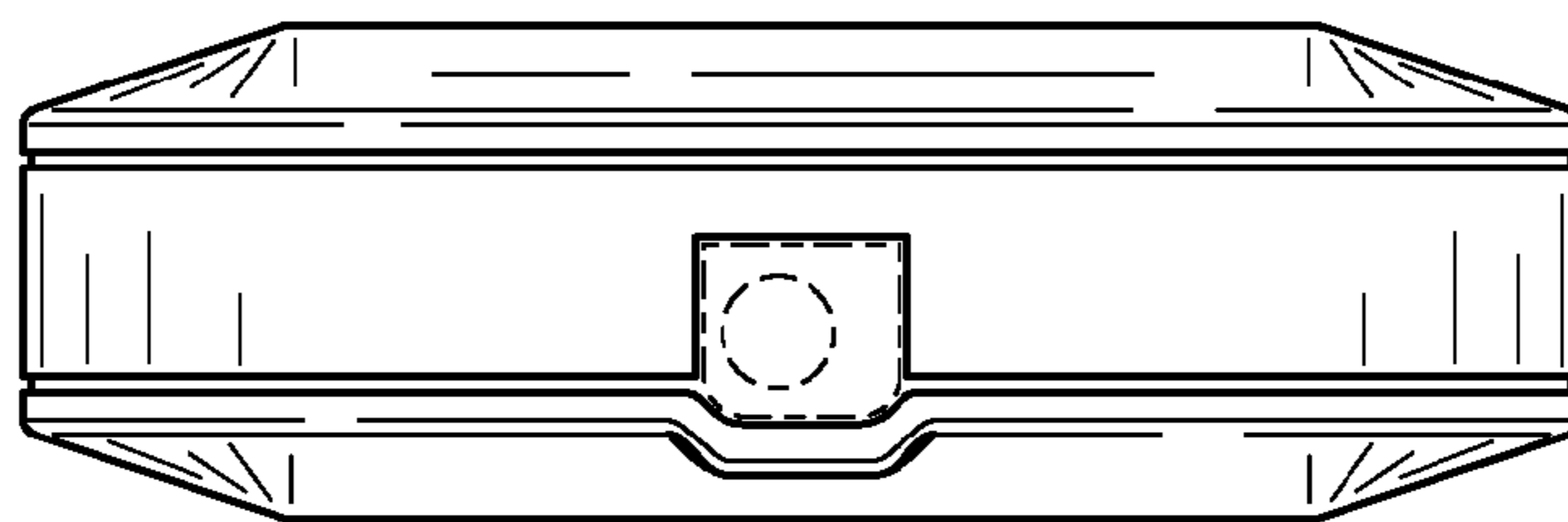


FIG. 7