



US00D595254S

(12) **United States Design Patent**  
**Roberts**

(10) **Patent No.:** **US D595,254 S**  
(45) **Date of Patent:** **\*\* Jun. 30, 2009**

(54) **FLEXIBLE MOBILE ELECTRONIC DEVICE**

2008/0020811 A1\* 1/2008 Lim et al. .... 455/575.1

(76) Inventor: **Shirley A. Roberts**, 11 Shadow La.,  
Rochester, NY (US) 14606

\* cited by examiner

(\*\*) Term: **14 Years**

*Primary Examiner*—Jeffrey D Asch

(21) Appl. No.: **29/306,490**

*Assistant Examiner*—Bridget L Eland

(22) Filed: **Apr. 10, 2008**

(74) *Attorney, Agent, or Firm*—Hiscock & Barclay, LLP

(51) **LOC (9) Cl.** ..... **14-03**

(57) **CLAIM**

(52) **U.S. Cl.** ..... **D14/138 AA; D14/138 R**

The ornamental design for a flexible mobile electronic device, as shown and described.

(58) **Field of Classification Search** ..... D14/137,  
D14/138 R, 138 AA, 138 AB, 138 AC, 138 AD,  
D14/138 C, 138 G, 147, 191, 218, 247–248,  
D14/341–347, 455, 496; D10/65, 78, 104;  
D13/168; D18/7; 455/556.1, 566, 575.1,  
455/575.3; 345/169

**DESCRIPTION**

See application file for complete search history.

FIG. 1 is a front perspective view of a flexible mobile electronic device according to a first embodiment;

(56) **References Cited**

FIG. 2 is a front perspective view thereof shown in a rounded state;

**U.S. PATENT DOCUMENTS**

FIG. 3 is a front perspective view thereof shown in an adjusted state;

D298,241 S *	10/1988	Watanabe	.....	D14/138 AA
D306,163 S *	2/1990	Soren et al.	.....	D14/138 AA
D313,413 S *	1/1991	Langton	.....	D14/138 AA
D337,588 S *	7/1993	Cruz et al.	.....	D14/218
D347,439 S *	5/1994	Vananderoye	.....	D14/299
D372,879 S *	8/1996	Partridge	.....	D11/4
D406,142 S *	2/1999	Meurer	.....	D14/218
6,707,764 B2 *	3/2004	Davidson et al.	.....	368/13
D500,308 S *	12/2004	Honda	.....	D14/218
6,996,426 B2 *	2/2006	Granberg	.....	455/575.4
D538,327 S *	3/2007	Weinstein	.....	D18/11
D539,254 S *	3/2007	Park et al.	.....	D14/138 AA
7,209,114 B2 *	4/2007	Radley-Smith	.....	345/156
D541,779 S *	5/2007	Chan	.....	D14/138 AA
D549,221 S *	8/2007	Yagi	.....	D14/218
7,327,335 B2 *	2/2008	Yamazaki et al.	.....	345/76
D563,374 S *	3/2008	Jung et al.	.....	D14/138 AA
D565,427 S *	4/2008	Ellner et al.	.....	D10/31
D567,227 S *	4/2008	Hada	.....	D14/218
D570,901 S *	6/2008	Weinstein	.....	D18/7
7,398,114 B2 *	7/2008	Gartrell	.....	455/575.8
2003/0224831 A1 *	12/2003	Engstrom et al.	.....	455/566
2004/0132492 A1 *	7/2004	Engstrom et al.	.....	455/556.2
2004/0209657 A1 *	10/2004	Ghassabian	.....	455/575.1
2007/0241929 A1 *	10/2007	Marchetto	.....	340/825.72

FIG. 4 is a front perspective view thereof shown in a straight state;

FIG. 5 is a front perspective view thereof shown in a flexed state;

FIG. 6 is a front elevation view in a straight state;

FIG. 7 is a side elevation view thereof, the other side being a mirror image;

FIG. 8 is a back elevation view thereof;

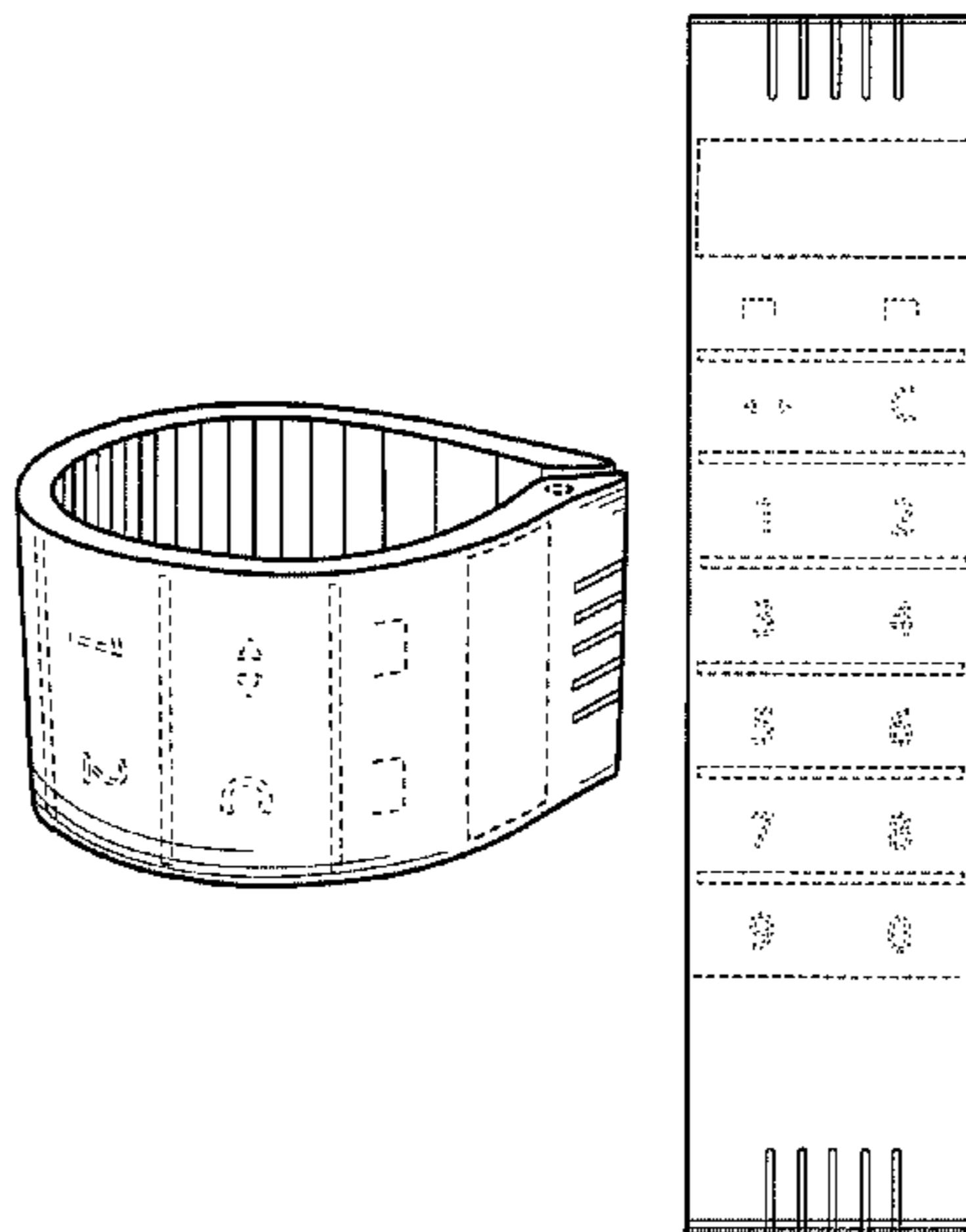
FIG. 9 is a top elevation view thereof;

FIG. 10 is a bottom elevation view thereof; and,

FIG. 11 is a front perspective view of a second embodiment of the flexible mobile electronic device shown in FIGS. 1–10, the only difference over the first embodiment being that the keypad and display are included in the second embodiment.

The broken lines immediately adjacent the shaded areas in the first embodiment represent the bounds of the first embodiment while the circle on the side and all other broken lines are directed to environment and are for illustrative purposes only; the broken lines form no part of the first embodiment.

**1 Claim, 5 Drawing Sheets**



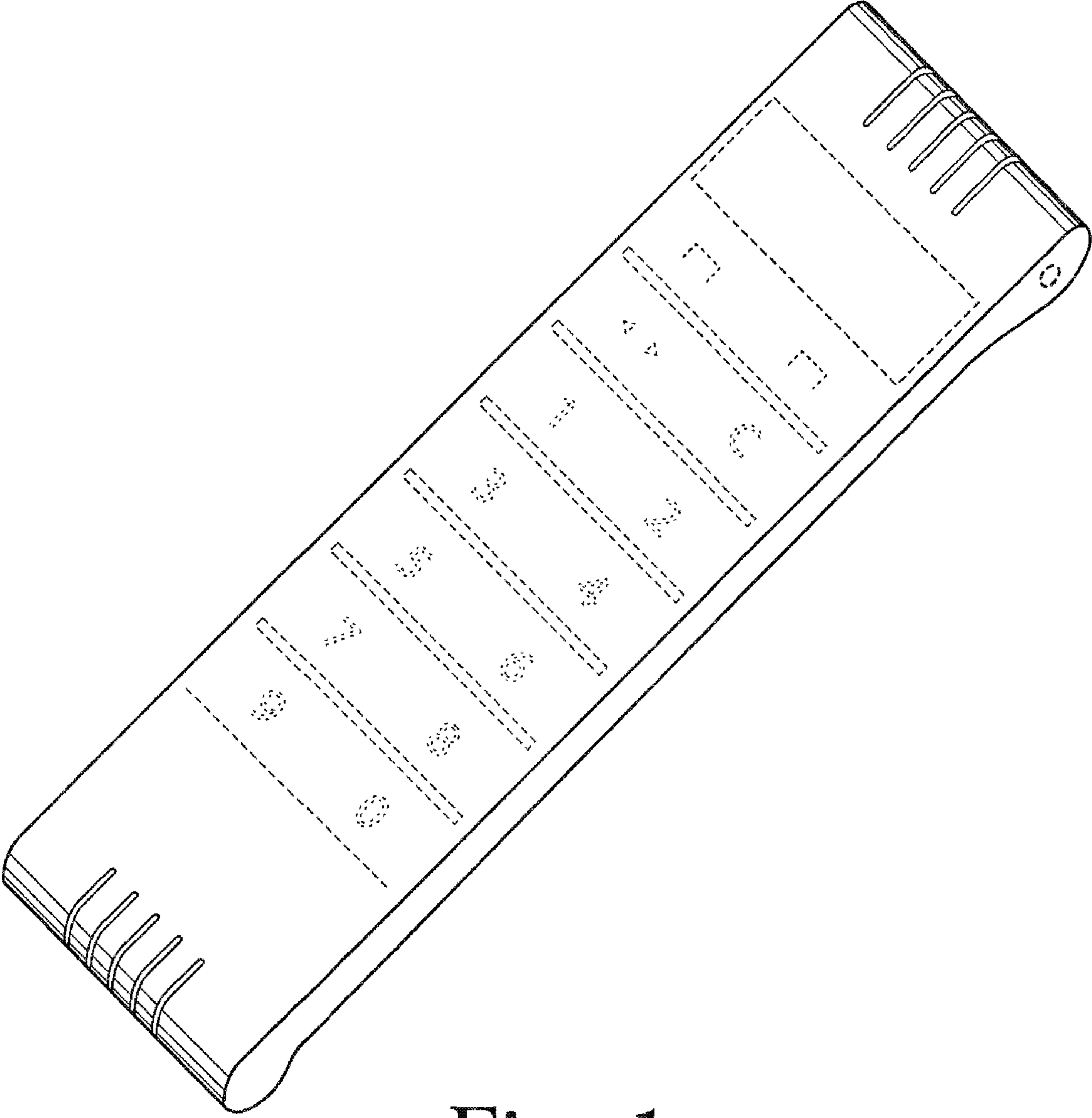


Fig. 1

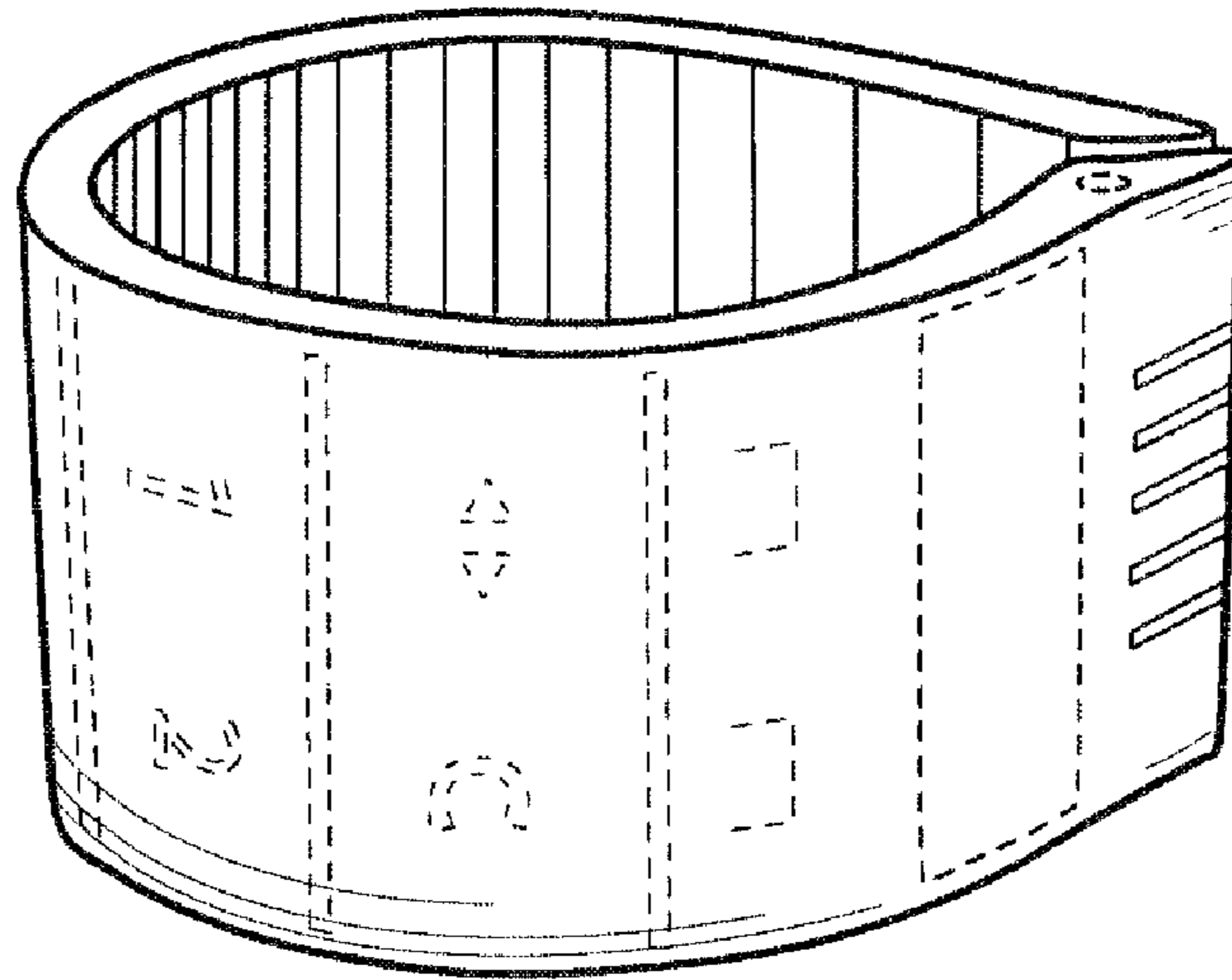


Fig. 2

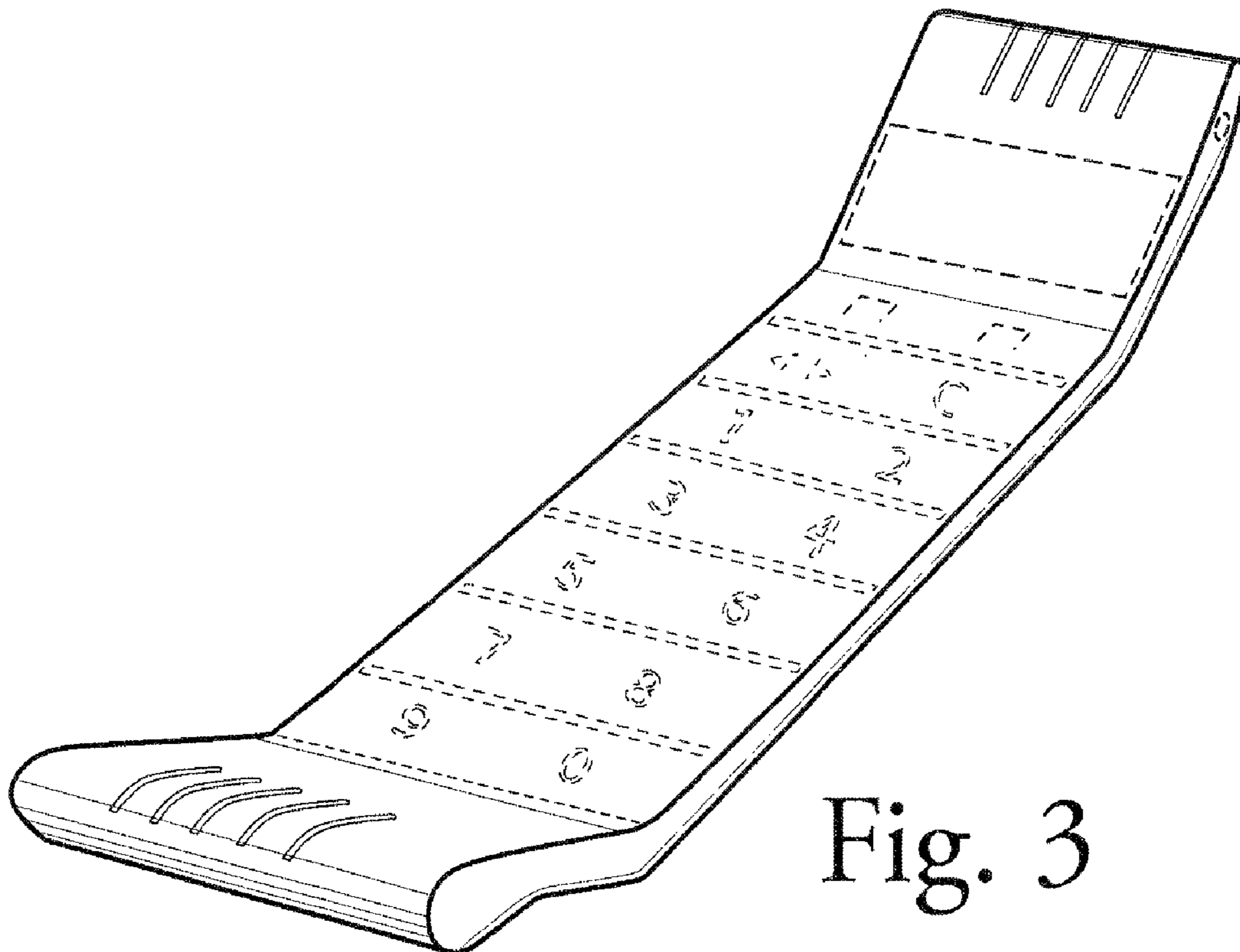


Fig. 3

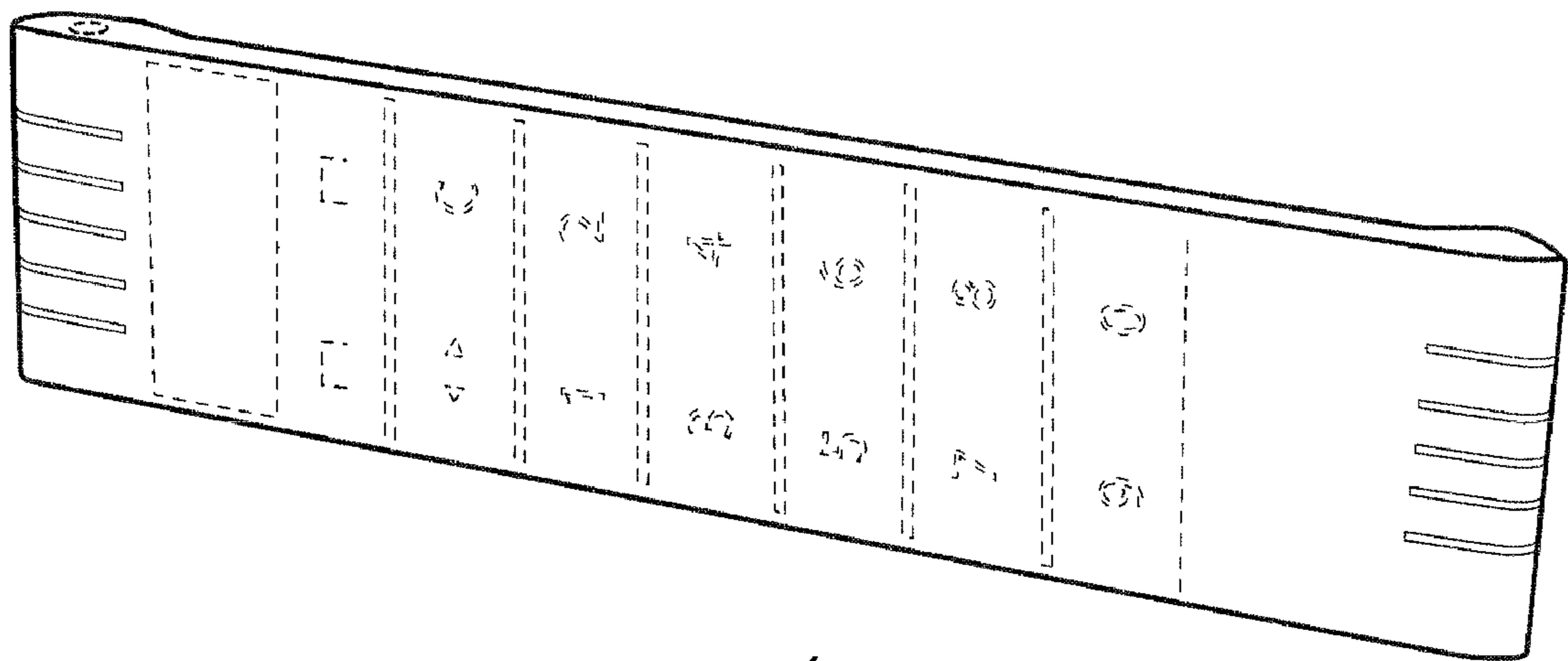


Fig. 4

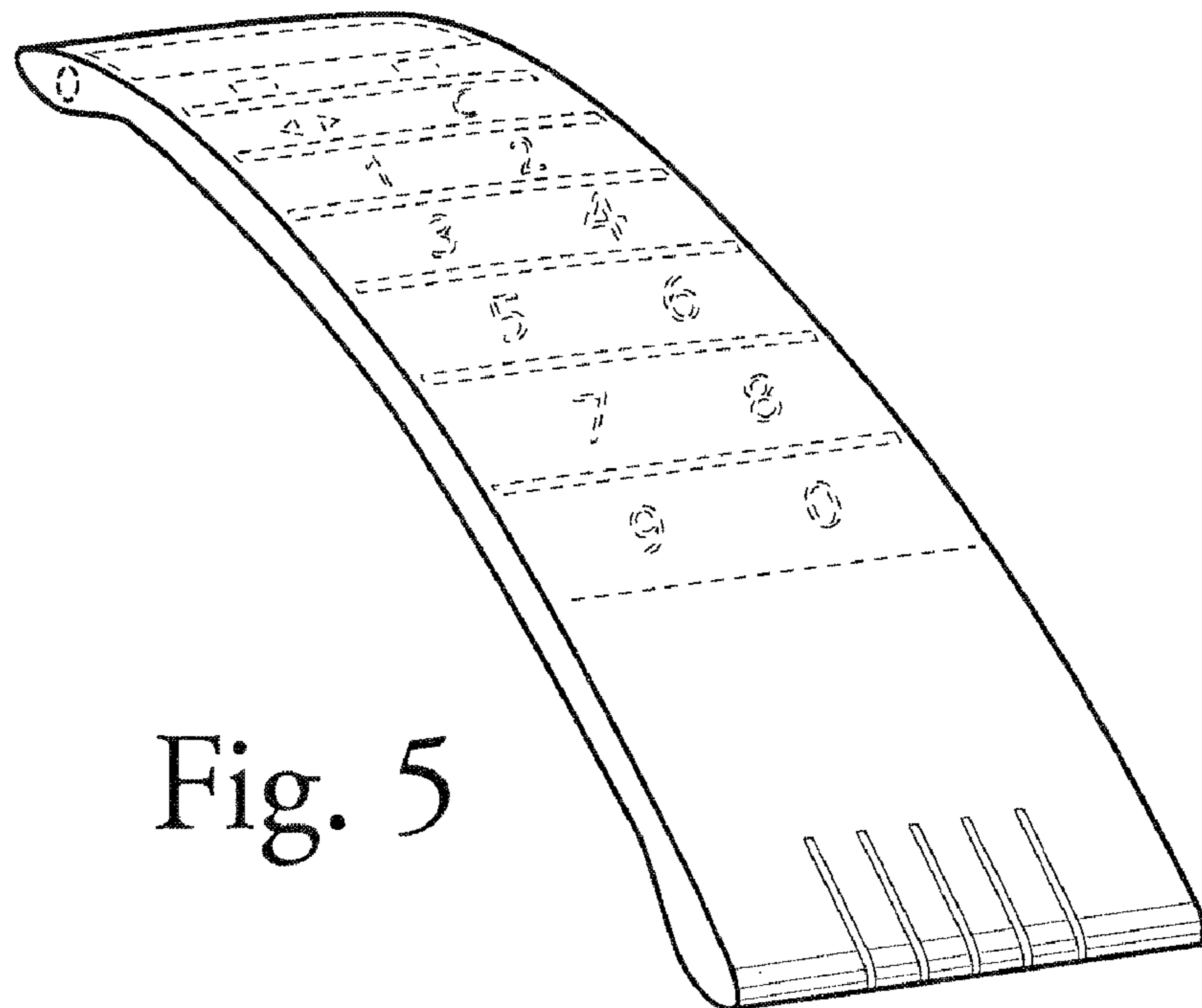


Fig. 5



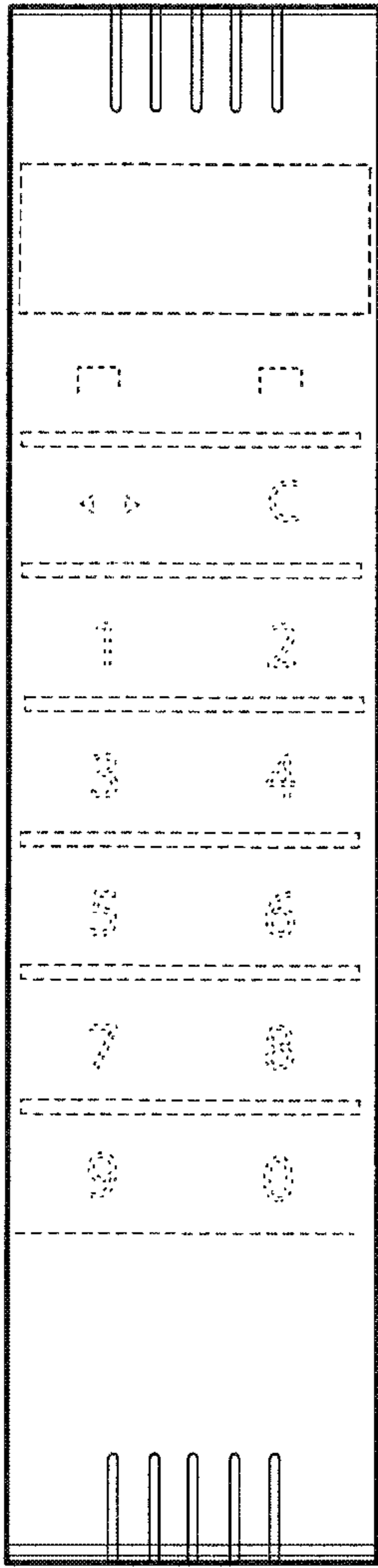


Fig. 6



Fig. 7

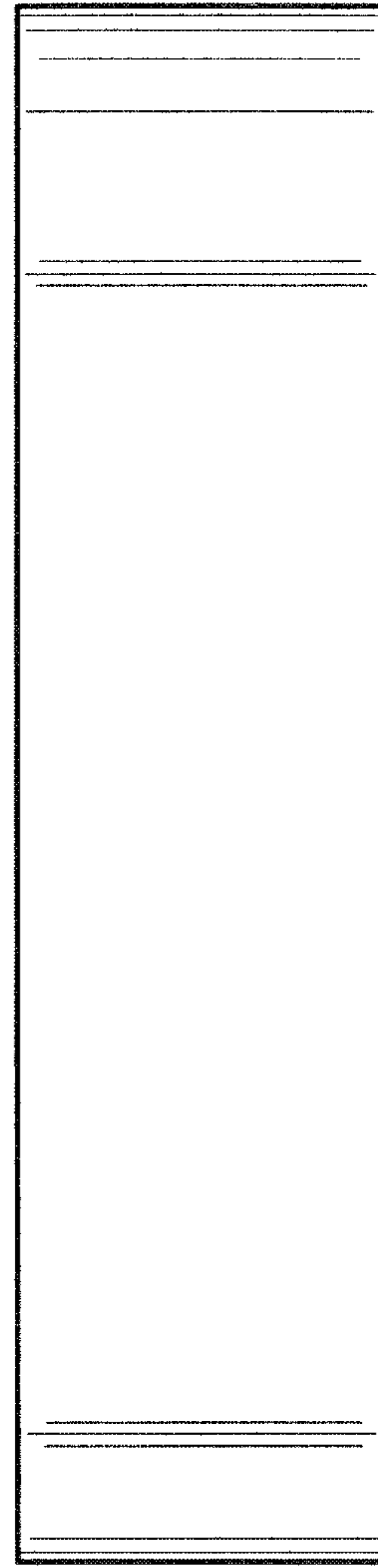


Fig. 8



Fig. 9



Fig. 10

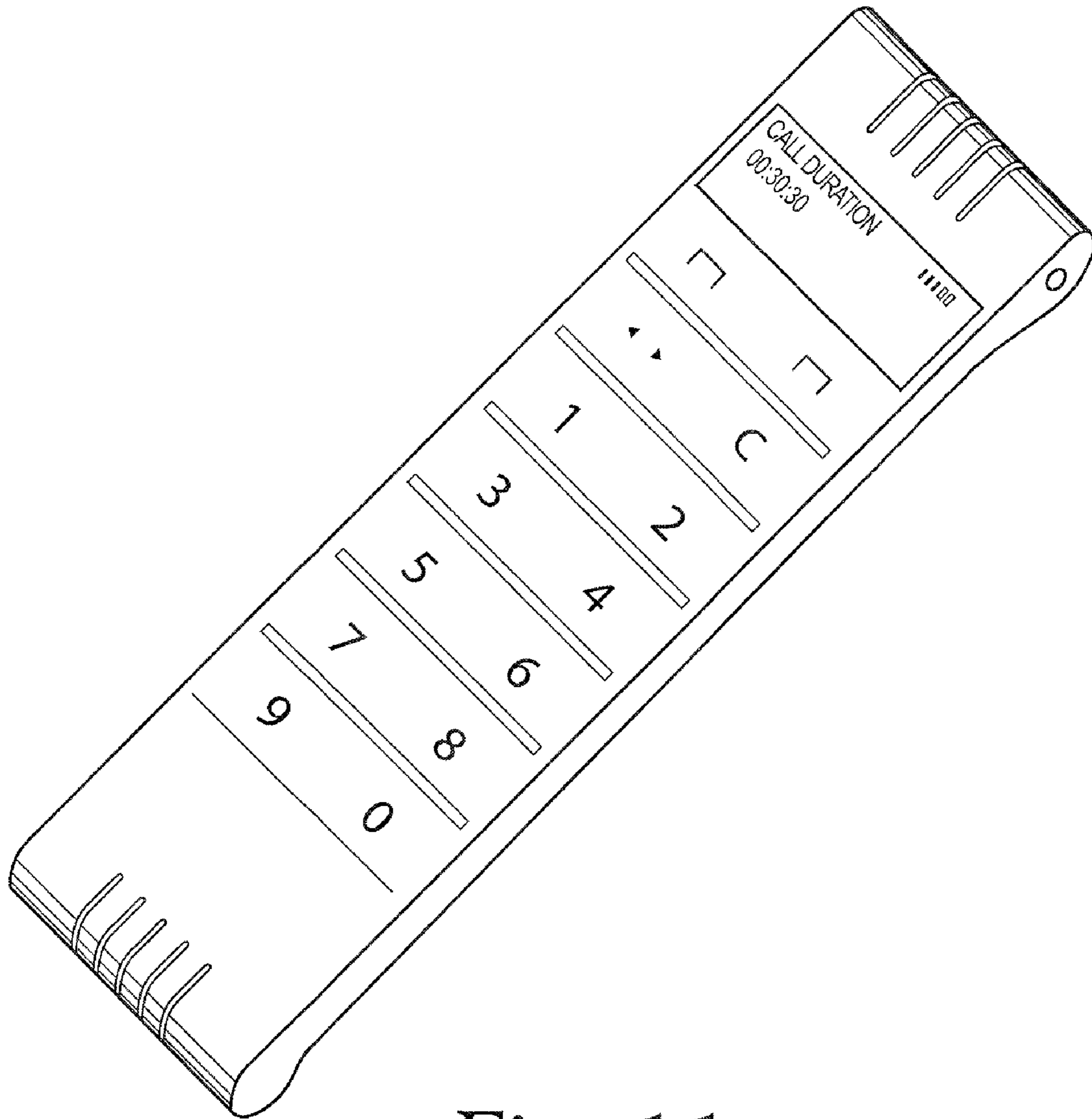


Fig. 11