

US00D595253S

(12) **United States Design Patent**  
**Kim**

(10) **Patent No.:** **US D595,253 S**  
(45) **Date of Patent:** **\*\* Jun. 30, 2009**

(54) **MOBILE PHONE**

WO DM/064644 \* 7/2003  
WO DM/064645 \* 7/2003

(75) Inventor: **Hong Sik Kim**, Gyeonggi-do (KR)

(73) Assignee: **LG Electronics Inc.**, Seoul (KR)

(\*\*) Term: **14 Years**

(21) Appl. No.: **29/266,056**

(22) Filed: **Sep. 14, 2006**

(30) **Foreign Application Priority Data**

Mar. 16, 2006 (KR) ..... 30-2006-0009821

(51) **LOC (9) Cl.** ..... **14-03**

(52) **U.S. Cl.** ..... **D14/138 R**

(58) **Field of Classification Search** ..... D14/137,  
D14/138 R, 138 AA, 138 G, 191, 341, 346-347,  
D14/218, 247, 496; D21/517; 455/556.1,  
455/566, 575.1, 575.3; 379/434, 433.01,  
379/433.04

See application file for complete search history.

(56) **References Cited**

**U.S. PATENT DOCUMENTS**

- D312,456 S \* 11/1990 Kasparian et al. .... D14/137
- D346,366 S \* 4/1994 Kim et al. .... D14/342
- D392,947 S \* 3/1998 Iino ..... D14/346
- D398,593 S \* 9/1998 Tominaga et al. .... D14/339
- D433,018 S \* 10/2000 Tanimura et al. .... D14/346
- D455,146 S \* 4/2002 Tsuboi ..... D14/337
- D504,119 S \* 4/2005 Pottie et al. .... D14/138 AA
- D533,529 S \* 12/2006 Lee et al. .... D14/138 G
- D541,785 S \* 5/2007 Hwang et al. .... D14/138 G
- D542,768 S \* 5/2007 Hwang et al. .... D14/138 G
- D542,769 S \* 5/2007 Hwang et al. .... D14/138 G
- D563,377 S \* 3/2008 Price et al. .... D14/138 AD
- D580,400 S \* 11/2008 Chung et al. .... D14/138 R

**FOREIGN PATENT DOCUMENTS**

WO DM/058924 \* 12/2001

**OTHER PUBLICATIONS**

Nokia N-Gage, announced 4Q, 2003, [on line], [retrieved on Nov. 12, 2008]. Retrieved from Internet, <URL: <http://www.gsmarena.com>>.\*

T-Mobile Sidekick LX, announced Sep. 2007, [on line], [retrieved on Nov. 12, 2008]. Retrieved from Internet, <URL: <http://www.gsmarena.com>>.\*

Nokia 7700, announced 4Q, 2003, [on line], [retrieved on Nov. 12, 2008]. Retrieved from Internet, <URL: <http://www.gsmarena.com>>.\*

\* cited by examiner

*Primary Examiner*—Ian Simmons

*Assistant Examiner*—Wan Laymon

(74) *Attorney, Agent, or Firm*—Birch, Stewart, Kolasch & Birch, LLP

(57) **CLAIM**

The ornamental design for a mobile phone, as shown and described.

**DESCRIPTION**

FIG. 1 is a perspective view of a mobile phone showing my new design;

FIG. 2 is a front view thereof;

FIG. 3 is a rear view thereof;

FIG. 4 is a left side view thereof where the right side view is a mirror image;

FIG. 5 is a top plan view thereof;

FIG. 6 is a bottom plan view thereof; and,

FIG. 7 is a front view thereof in a condition that the upper body thereof is slid upward.

**1 Claim, 5 Drawing Sheets**

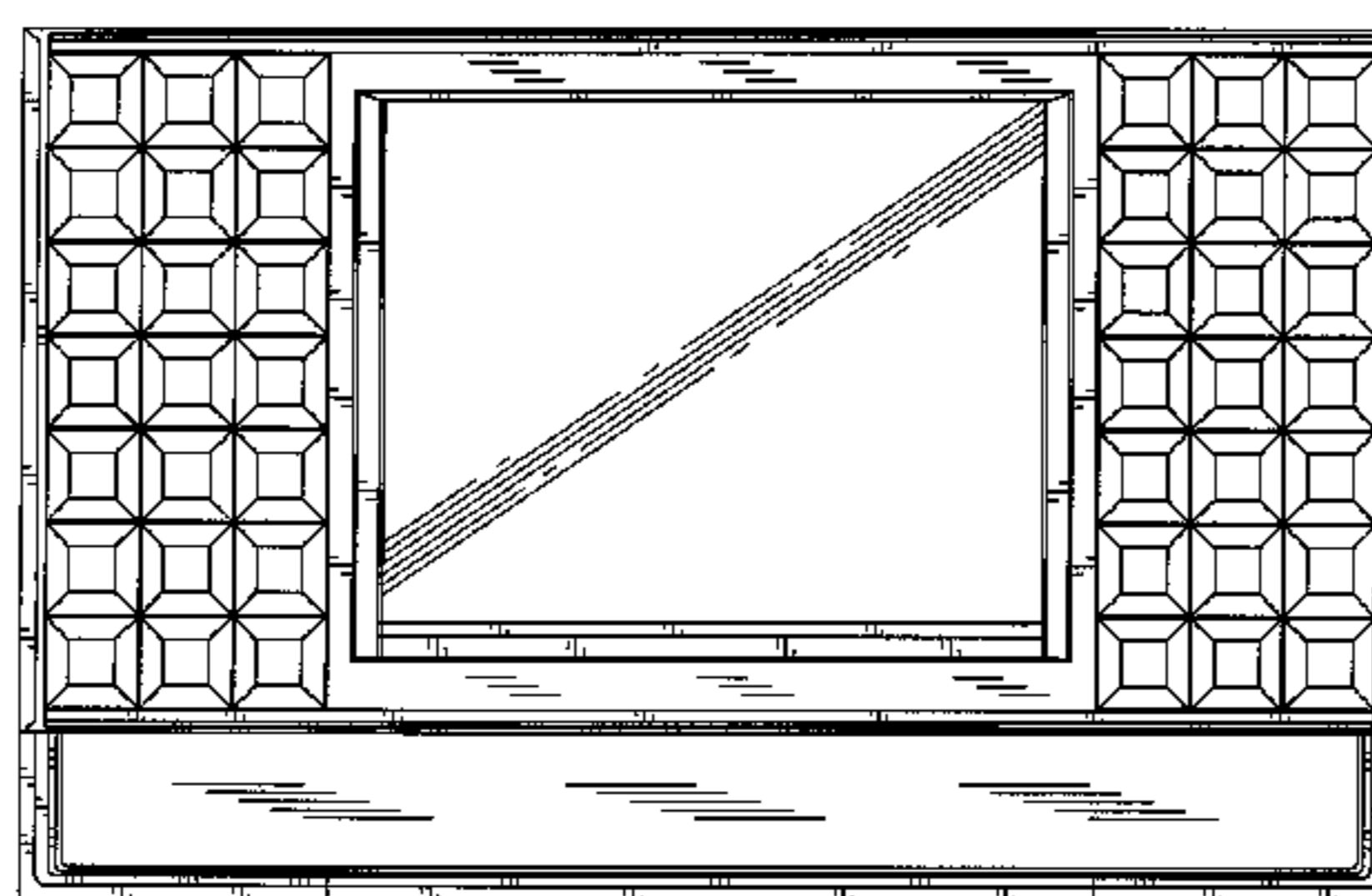
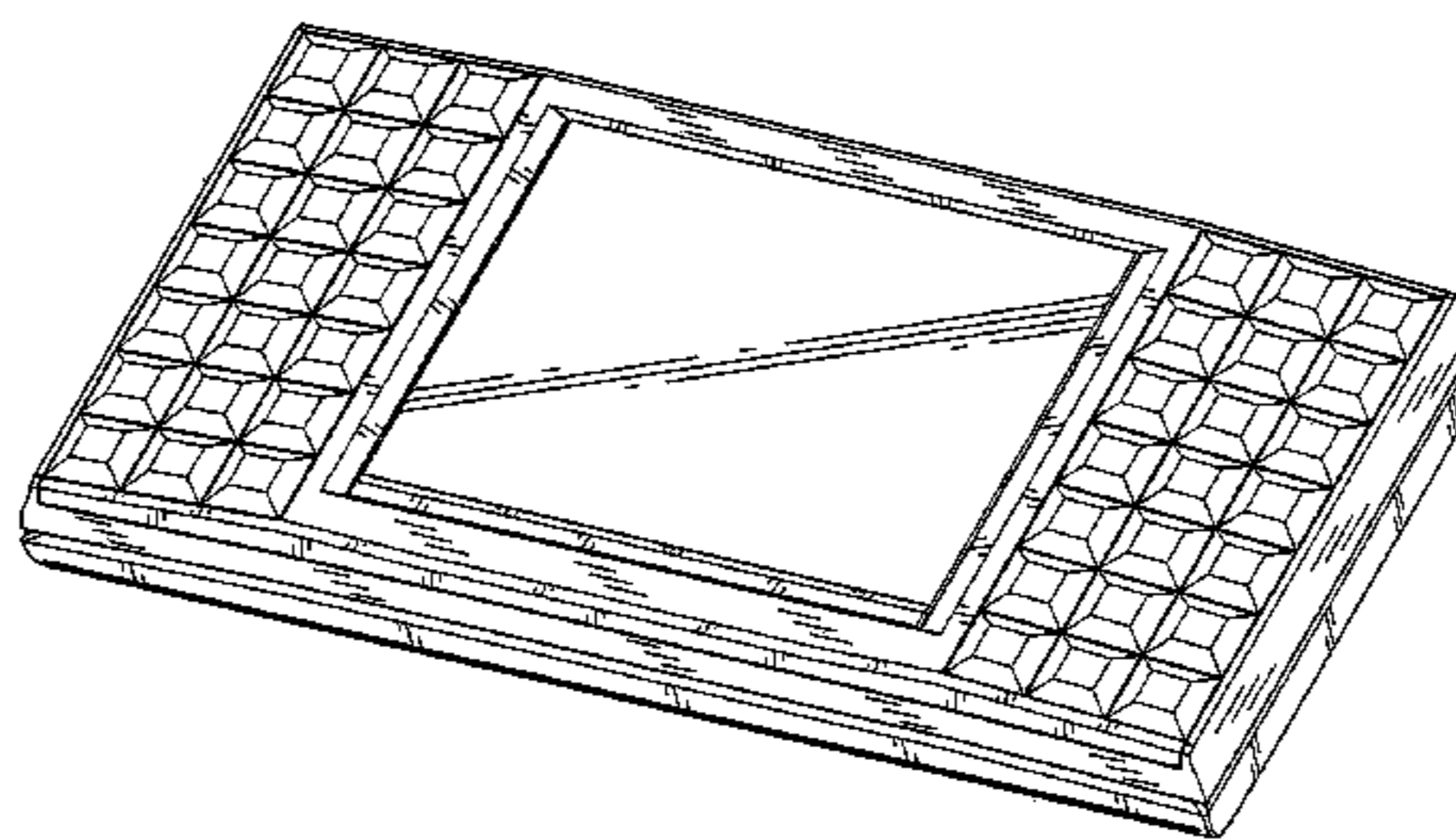


FIG. 1

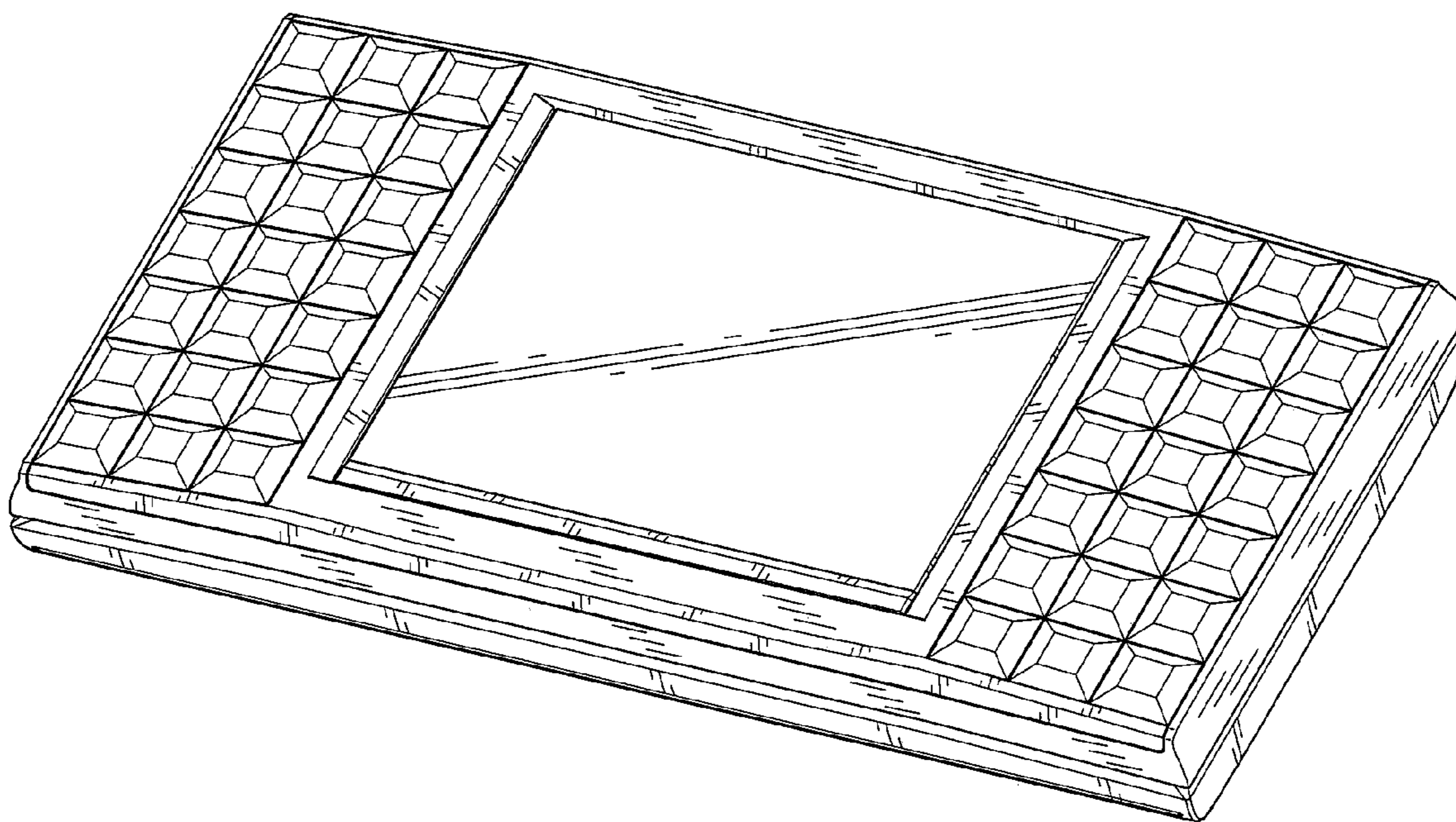


FIG. 2

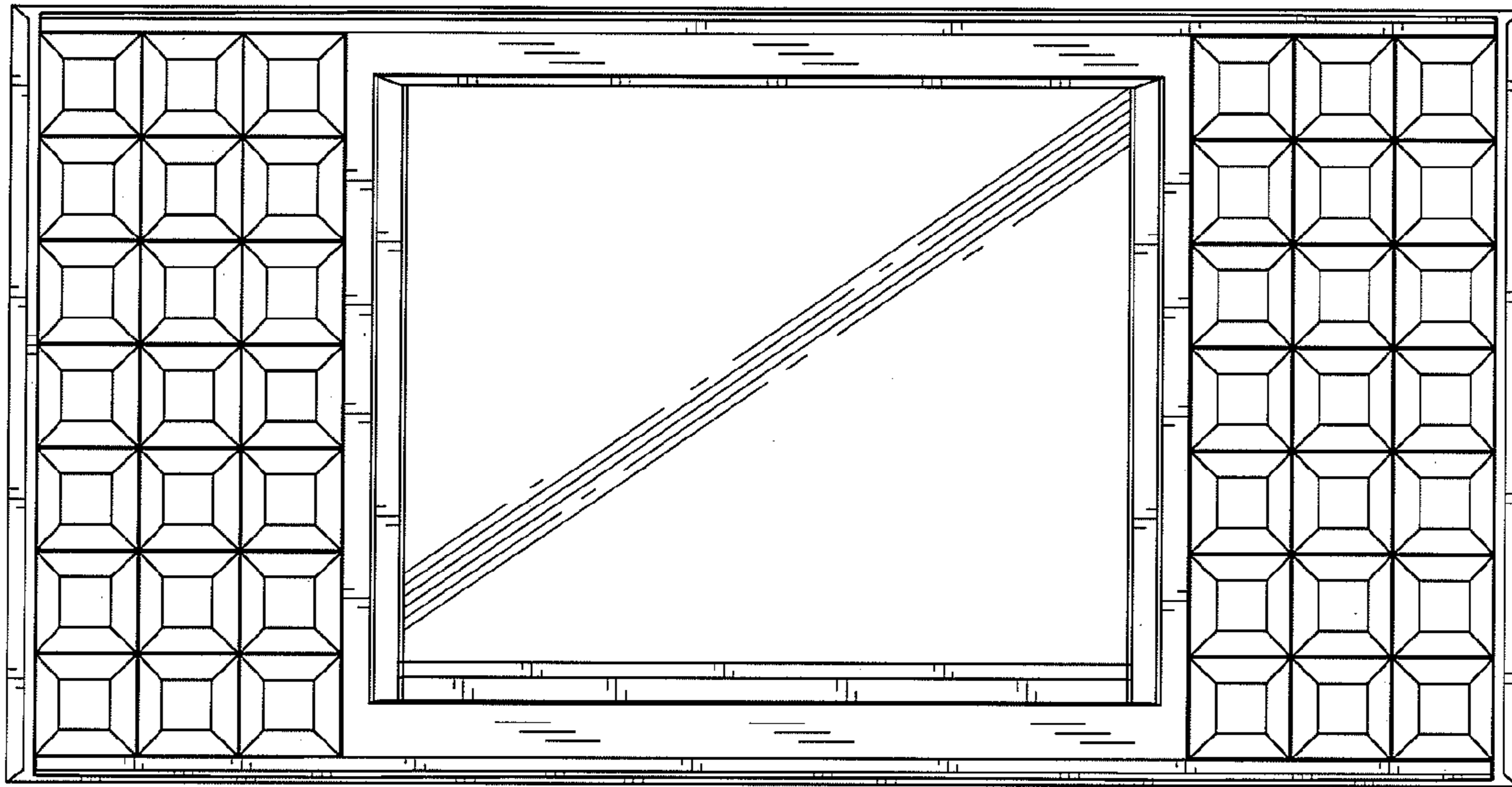


FIG. 3



FIG. 4

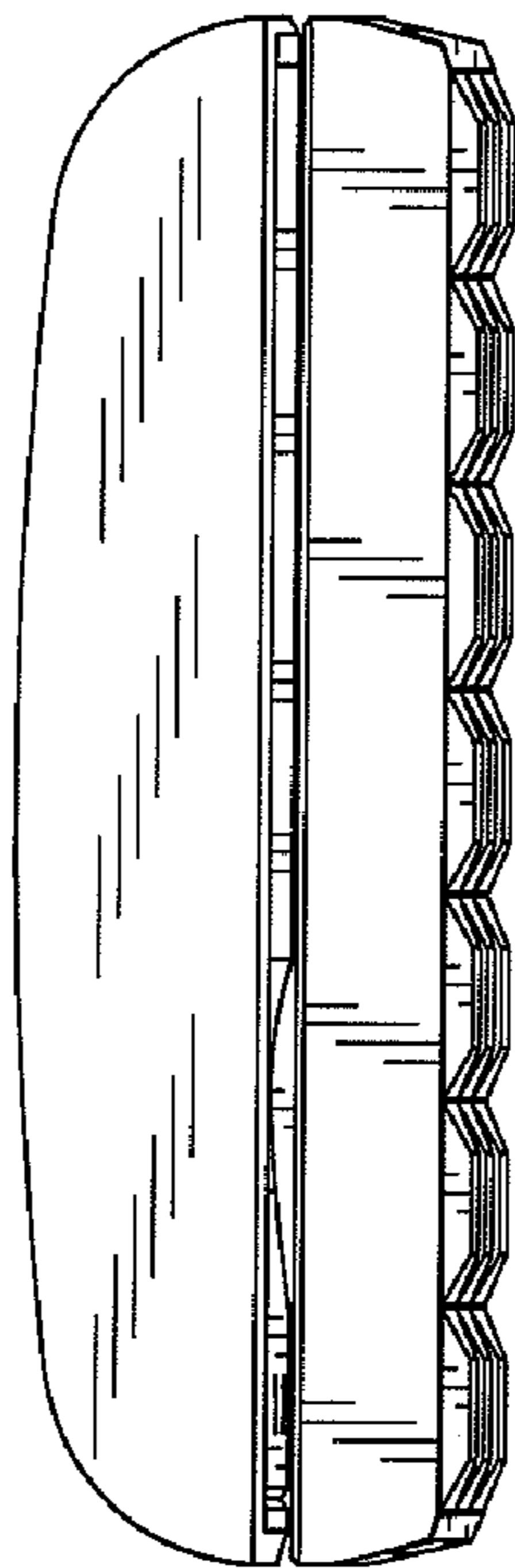


FIG. 5

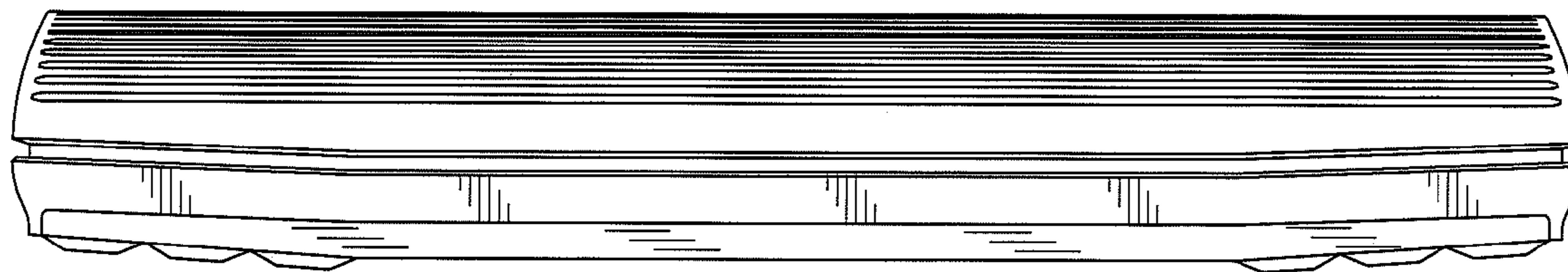


FIG. 6

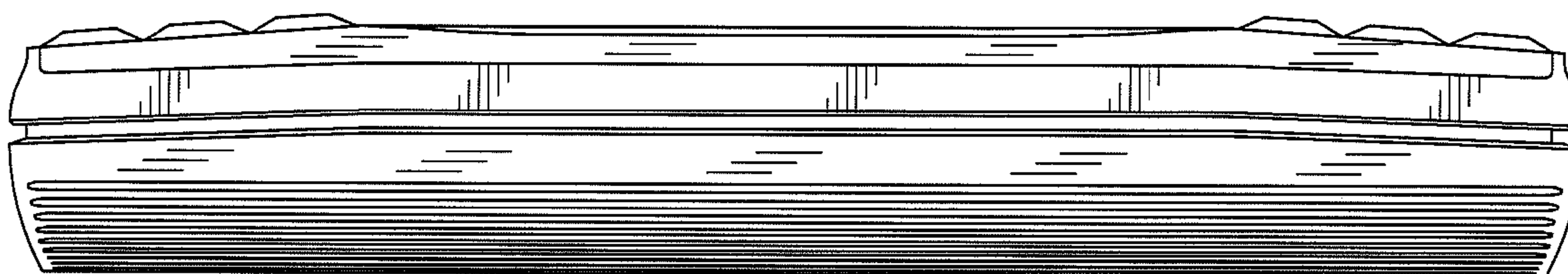


FIG. 7

