

US00D595249S

(12) **United States Design Patent**  
**Lee**

(10) **Patent No.:** **US D595,249 S**  
(45) **Date of Patent:** **\*\* Jun. 30, 2009**

(54) **DISPLAY**

D584,704 S \* 1/2009 Quaglio ..... D14/126

(75) Inventor: **Chien-Kuo Lee**, Taoyuan County (TW)

(73) Assignee: **Hannspree, Inc.**, Taipei (TW)

\* cited by examiner

(\*\*) Term: **14 Years**

*Primary Examiner*—Raphael Barkai

(21) Appl. No.: **29/306,830**

(74) *Attorney, Agent, or Firm*—Venable LLP; Cameron H. Tousi

(22) Filed: **Apr. 17, 2008**

(57) **CLAIM**

(51) **LOC (9) Cl.** ..... **14-03**

The ornamental design for a display, as shown and described.

(52) **U.S. Cl.** ..... **D14/126**

(58) **Field of Classification Search** ..... D14/125–134,  
D14/239, 371, 136, 374–377, 440, 450, 448,  
D14/336, 342; 312/7.2; 348/836, 838, 180,  
348/184, 325, 739; 341/12; 248/917–924,  
248/465; 345/104, 133, 156, 168, 87, 173;  
720/605, 669, 600, 655; 369/99, 197; 455/344,  
455/347; D21/329, 515, 577, 622, 333, 433,  
D21/448, 452, 450, 331; D6/477, 479, 300;  
273/148 B; 446/484, 175, 356; D10/15,  
D10/26

**DESCRIPTION**

See application file for complete search history.

FIG. 1 is a front perspective view of the display, showing my new design;

FIG. 2 is a front elevational view thereof;

FIG. 3 is a rear elevational view thereof;

FIG. 4 is a left side elevational view thereof;

FIG. 5 is a right side elevational view thereof;

FIG. 6 is a top plan view thereof; and,

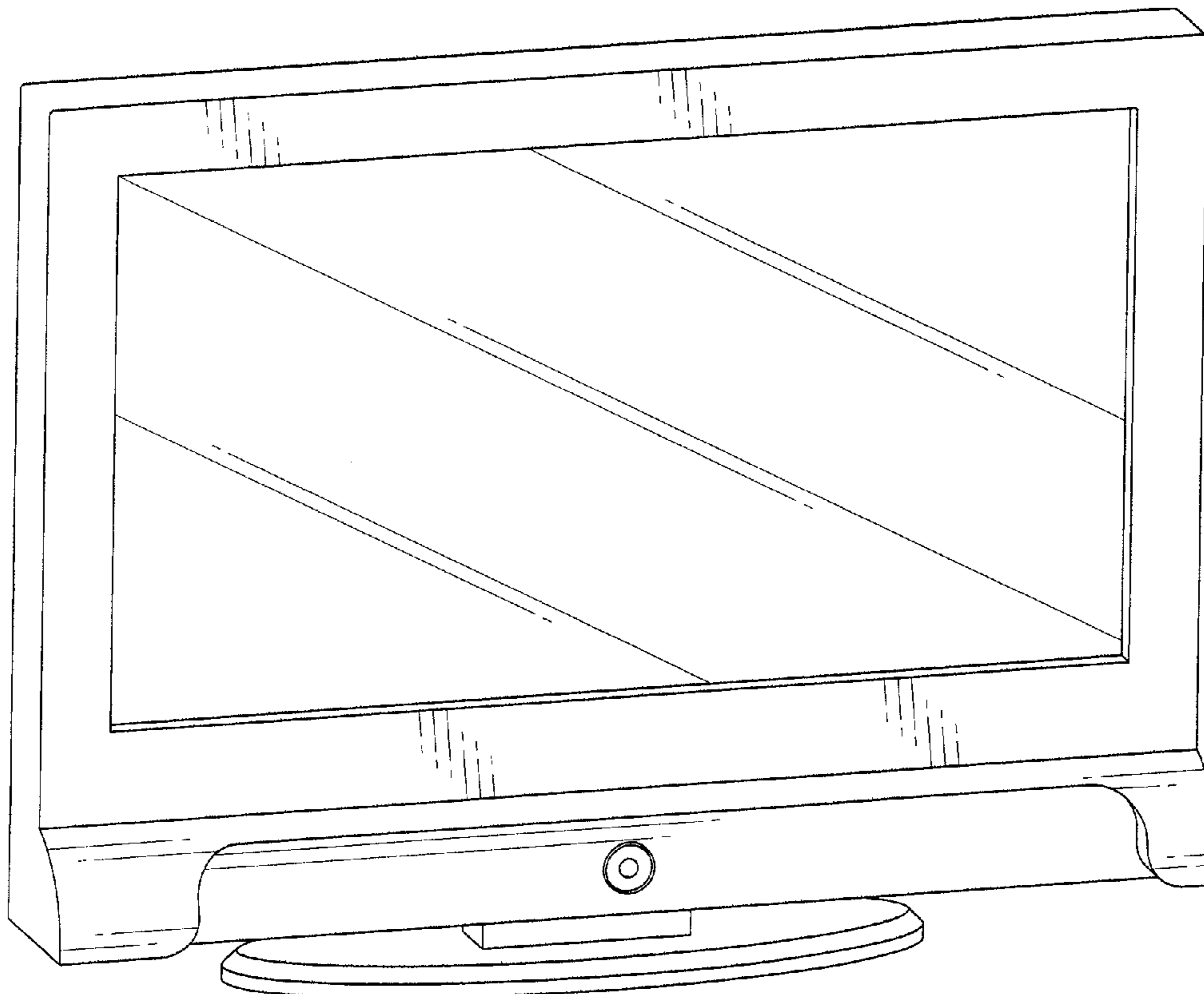
FIG. 7 is a bottom plan view thereof.

(56) **References Cited**

**U.S. PATENT DOCUMENTS**

D545,280 S \* 6/2007 Imboden ..... D14/126

**1 Claim, 7 Drawing Sheets**



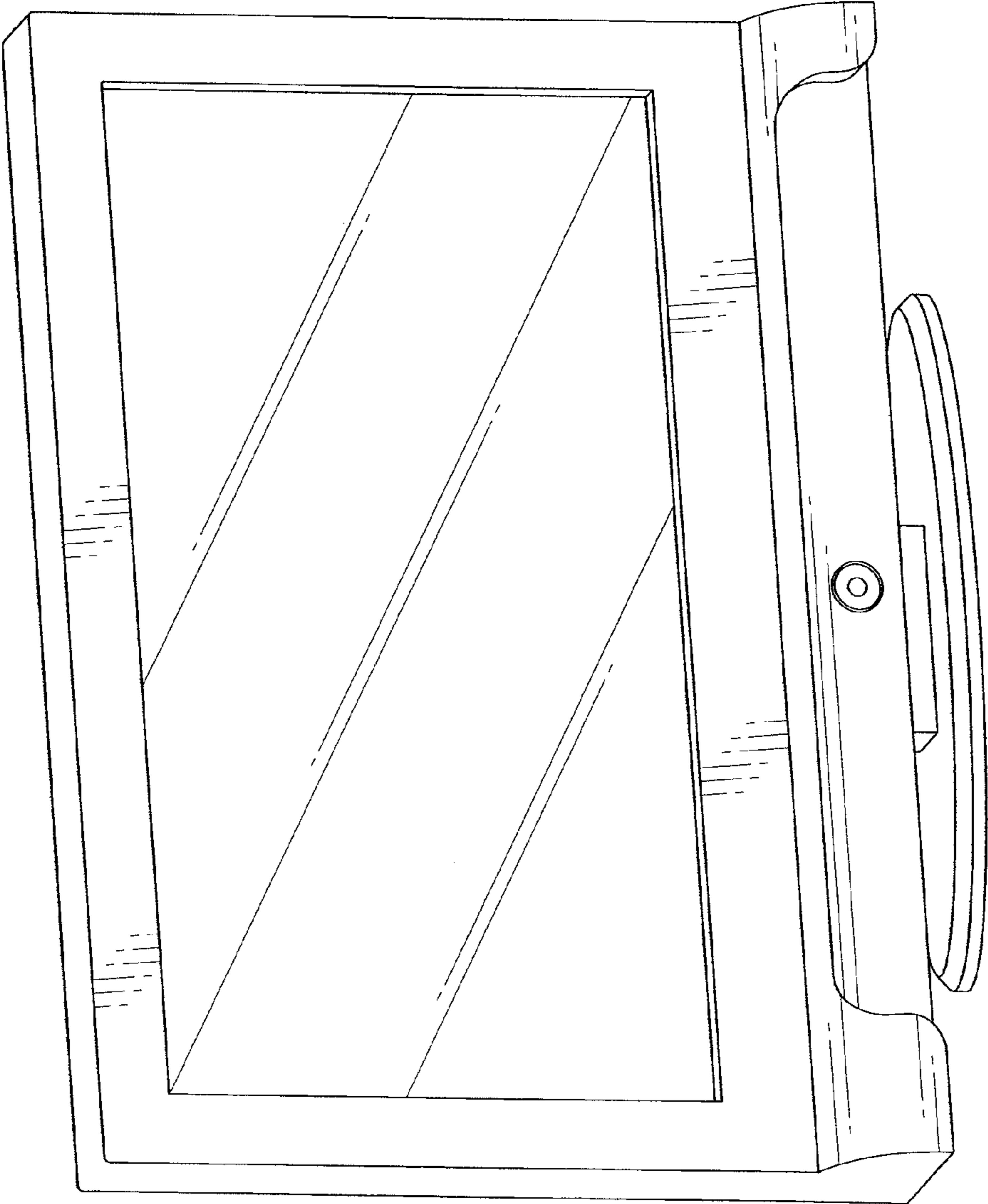


FIG. 1

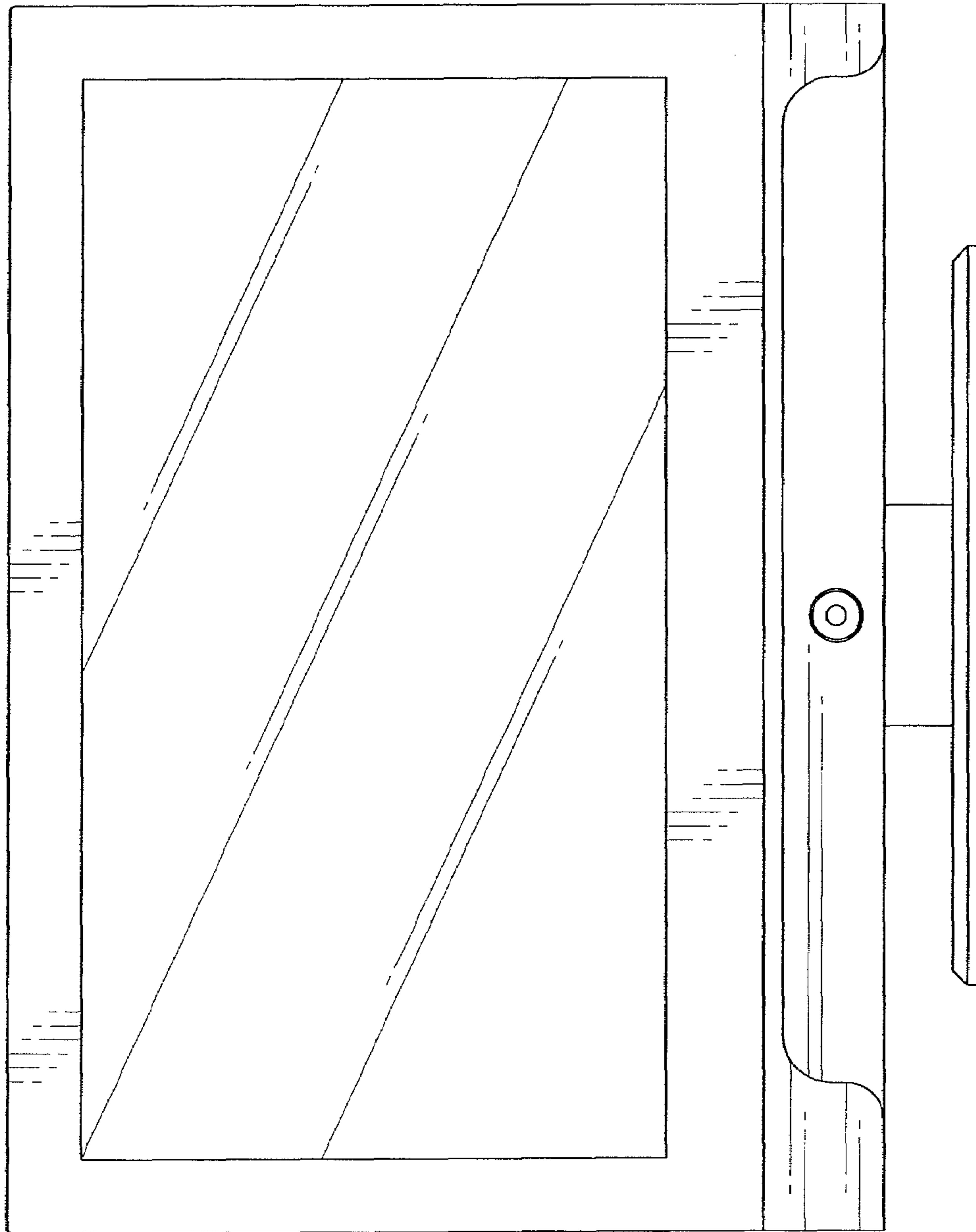


FIG. 2

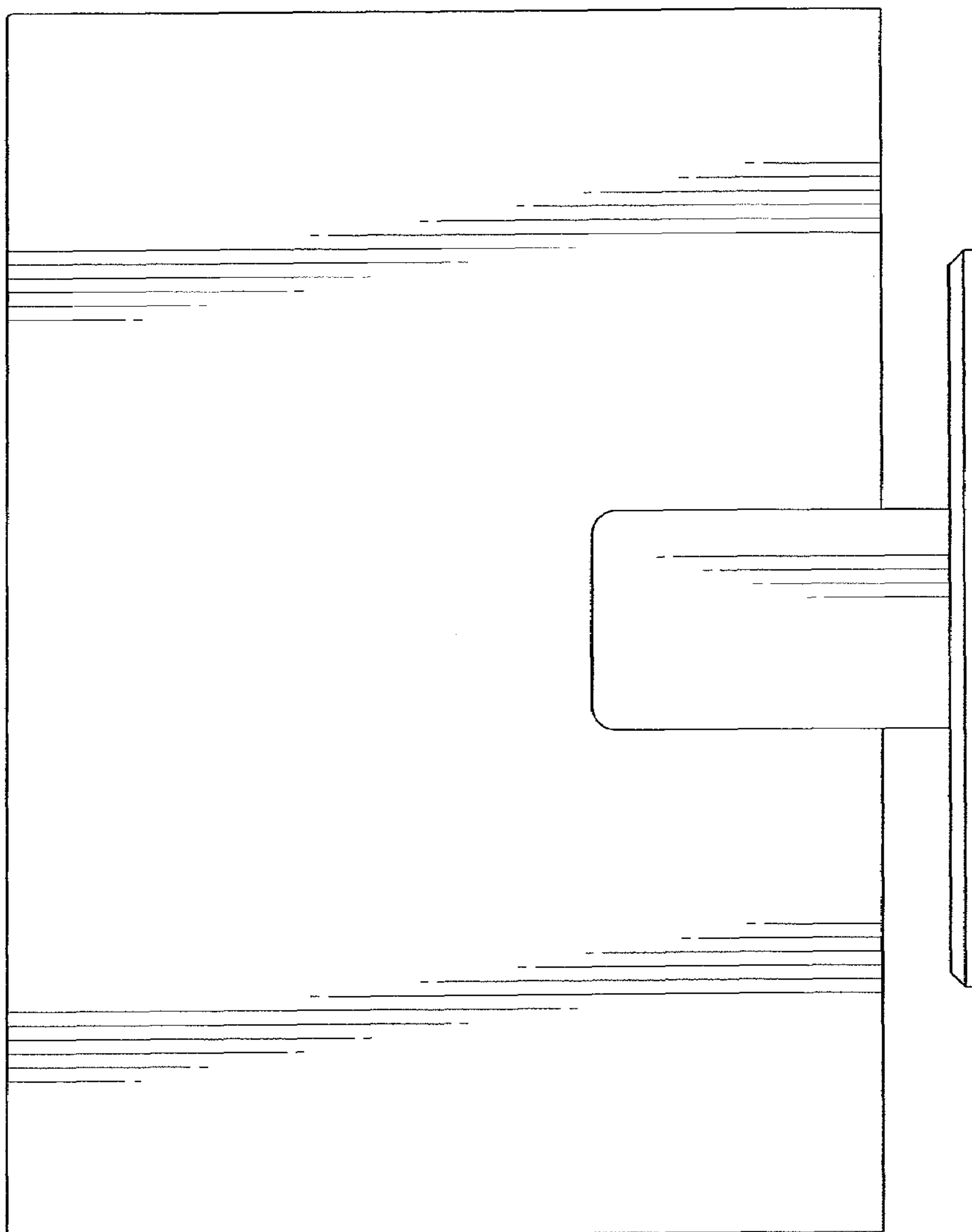


FIG. 3

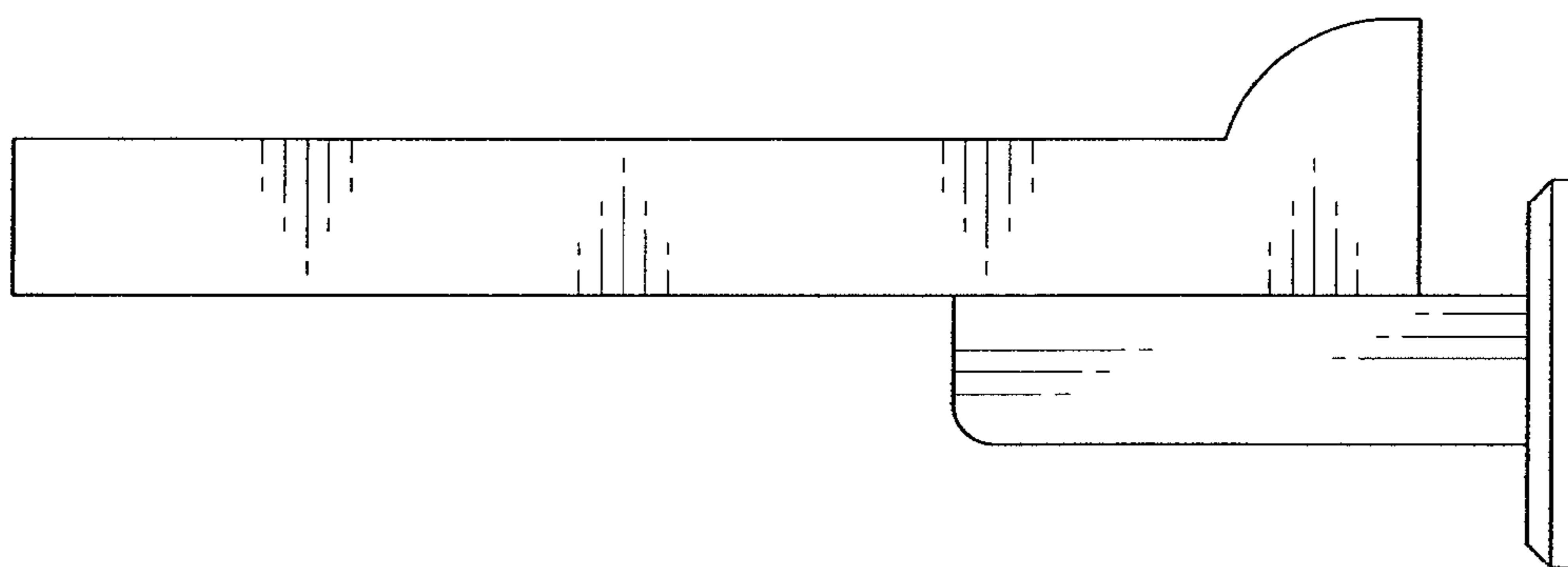


FIG. 4

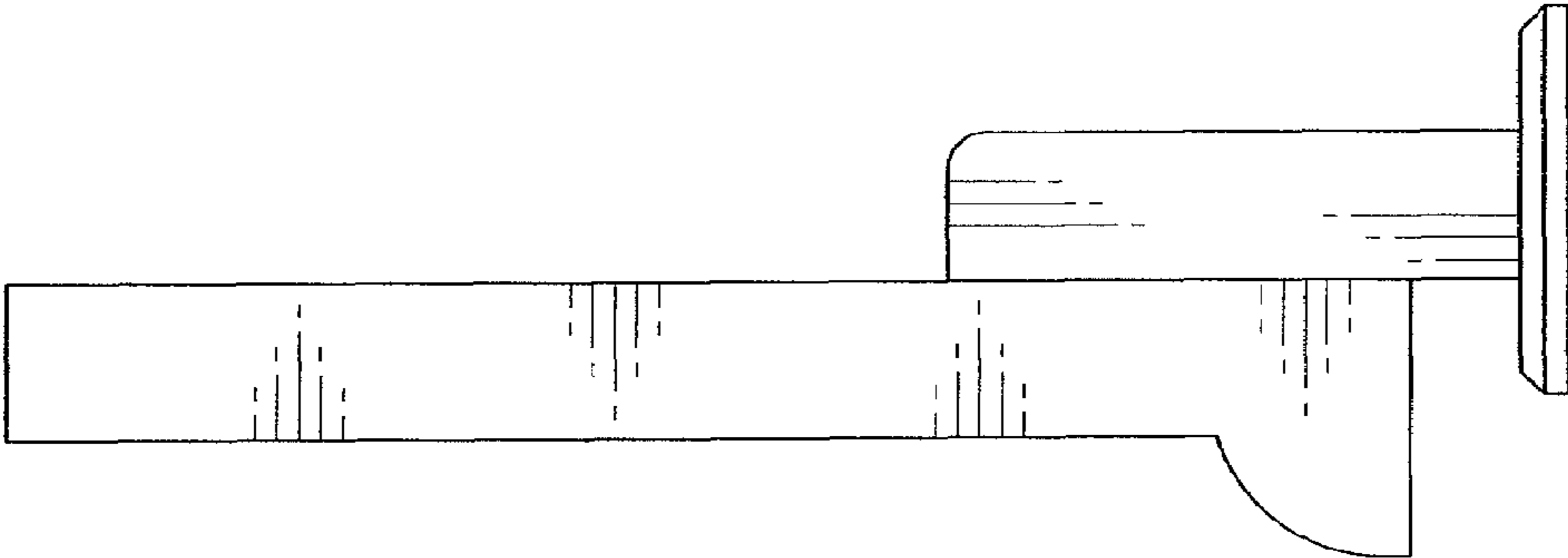


FIG. 5

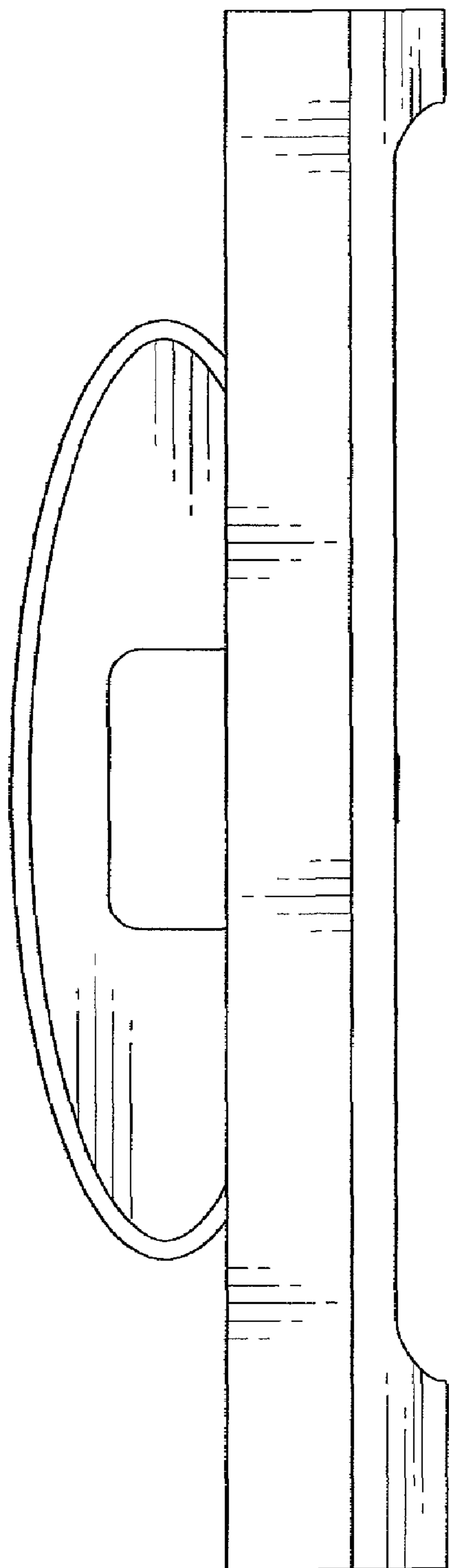


FIG. 6

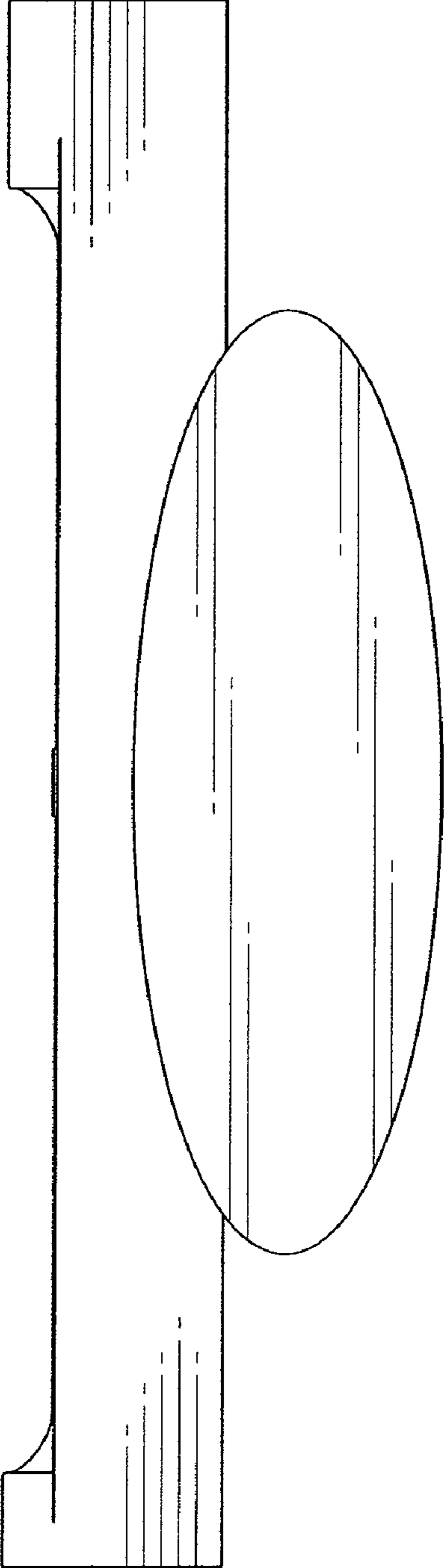


FIG. 7