



US00D595247S

(12) **United States Design Patent**
Kim et al.

(10) **Patent No.:** **US D595,247 S**
(45) **Date of Patent:** **** Jun. 30, 2009**

(54) **LIGHT-EMITTING DIODE**

(75) Inventors: **Dae Hyun Kim**, Ulsan (KR); **Hun Joo Hahm**, Gyunggi-do (KR); **Hyung Suk Kim**, Gyunggi-do (KR); **Dae Yeon Kim**, Gyunggi-do (KR); **Young Sam Park**, Seoul (KR); **Do Hun Kim**, Seoul (KR); **Seong Yeon Han**, Gwangju (KR)

(73) Assignee: **Samsung Electro-Mechanics Co., Ltd.**, Gyunggi-do (KR)

(**) Term: **14 Years**

(21) Appl. No.: **29/325,559**

(22) Filed: **Oct. 2, 2008**

(30) **Foreign Application Priority Data**

May 21, 2008 (KR) 30-2008-0021363

(51) **LOC (9) Cl.** **13-03**

(52) **U.S. Cl.** **D13/180**

(58) **Field of Classification Search** D13/180;
D26/2; 257/79, 80, 81, 88, 89, 95, 98, 99,
257/100; 313/483, 498, 500; 362/555, 800
See application file for complete search history.

(56) **References Cited**

U.S. PATENT DOCUMENTS

D491,899 S * 6/2004 Yagi D13/180
D508,233 S * 8/2005 Kasae et al. D13/180

D510,914 S * 10/2005 Suenaga D13/180
D512,694 S * 12/2005 Kim et al. D13/180
D521,951 S * 5/2006 Song D13/180
2007/0158669 A1 * 7/2007 Lee et al. 257/98

FOREIGN PATENT DOCUMENTS

KR 30-0477161 1/2008

* cited by examiner

Primary Examiner—Selina Sikder

(74) *Attorney, Agent, or Firm*—McDermott Will & Emery LLP

(57) **CLAIM**

We claim the ornamental design for the light-emitting diode, as shown and described.

DESCRIPTION

FIG. 1 is the perspective view of the light-emitting diode

FIG. 2 is the front view thereof

FIG. 3 is the rear view thereof

FIG. 4 is the left side view thereof

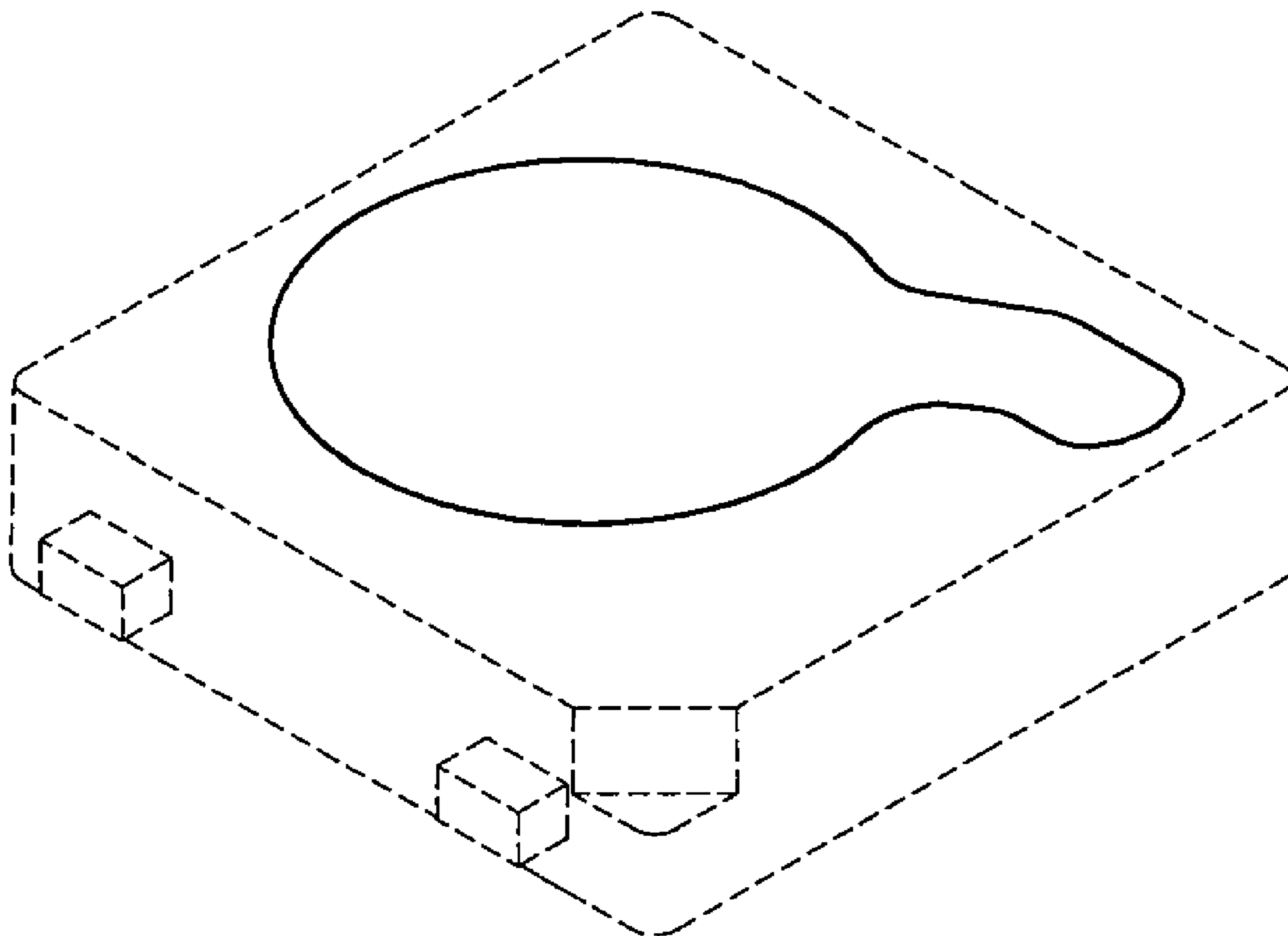
FIG. 5 is the right side view thereof

FIG. 6 is the top plan view thereof; and,

FIG. 7 is the bottom view thereof.

The broken lines define portions of the light-emitting diode that form no part of the claimed design.

1 Claim, 1 Drawing Sheet



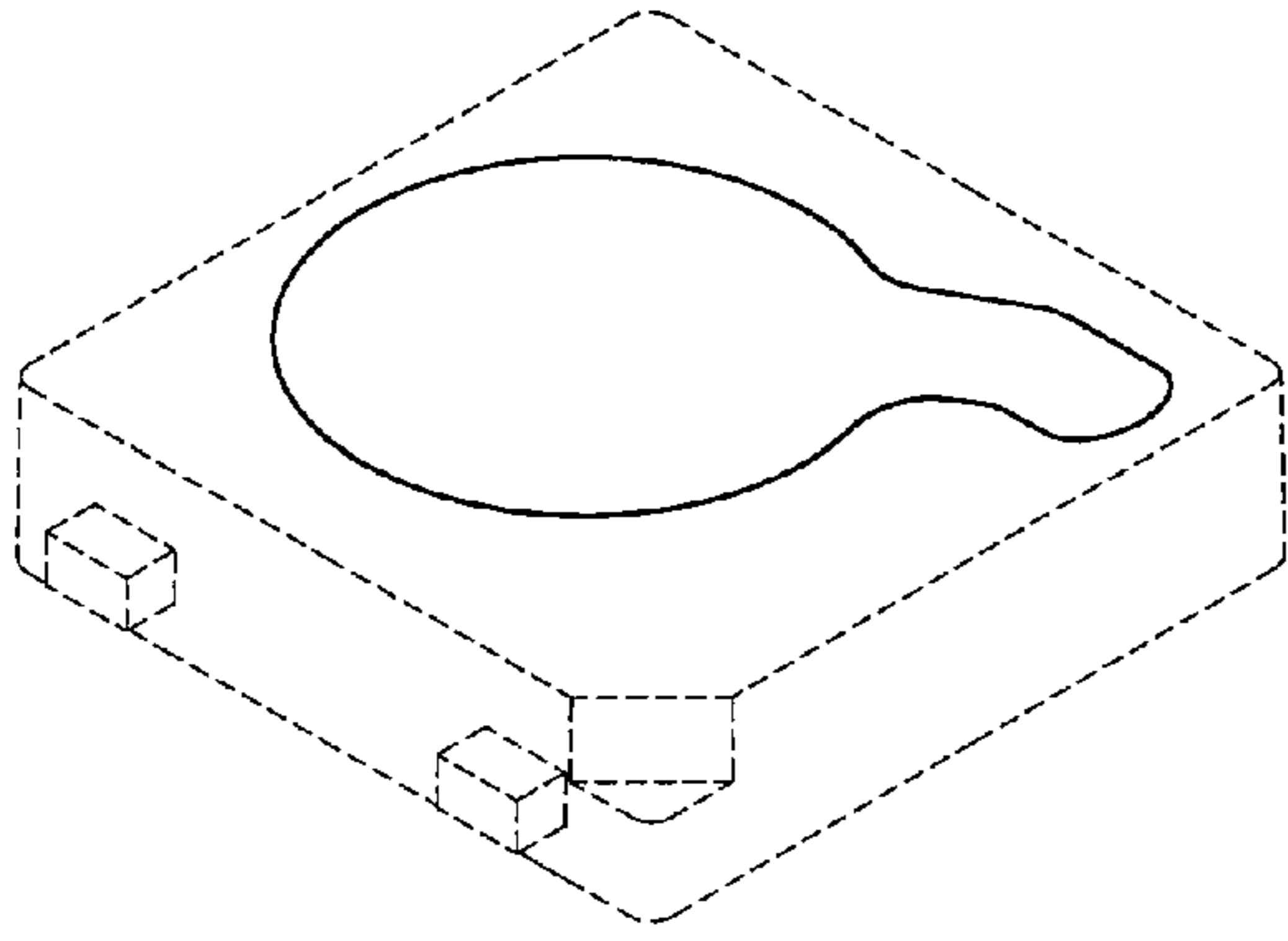


FIG. 1

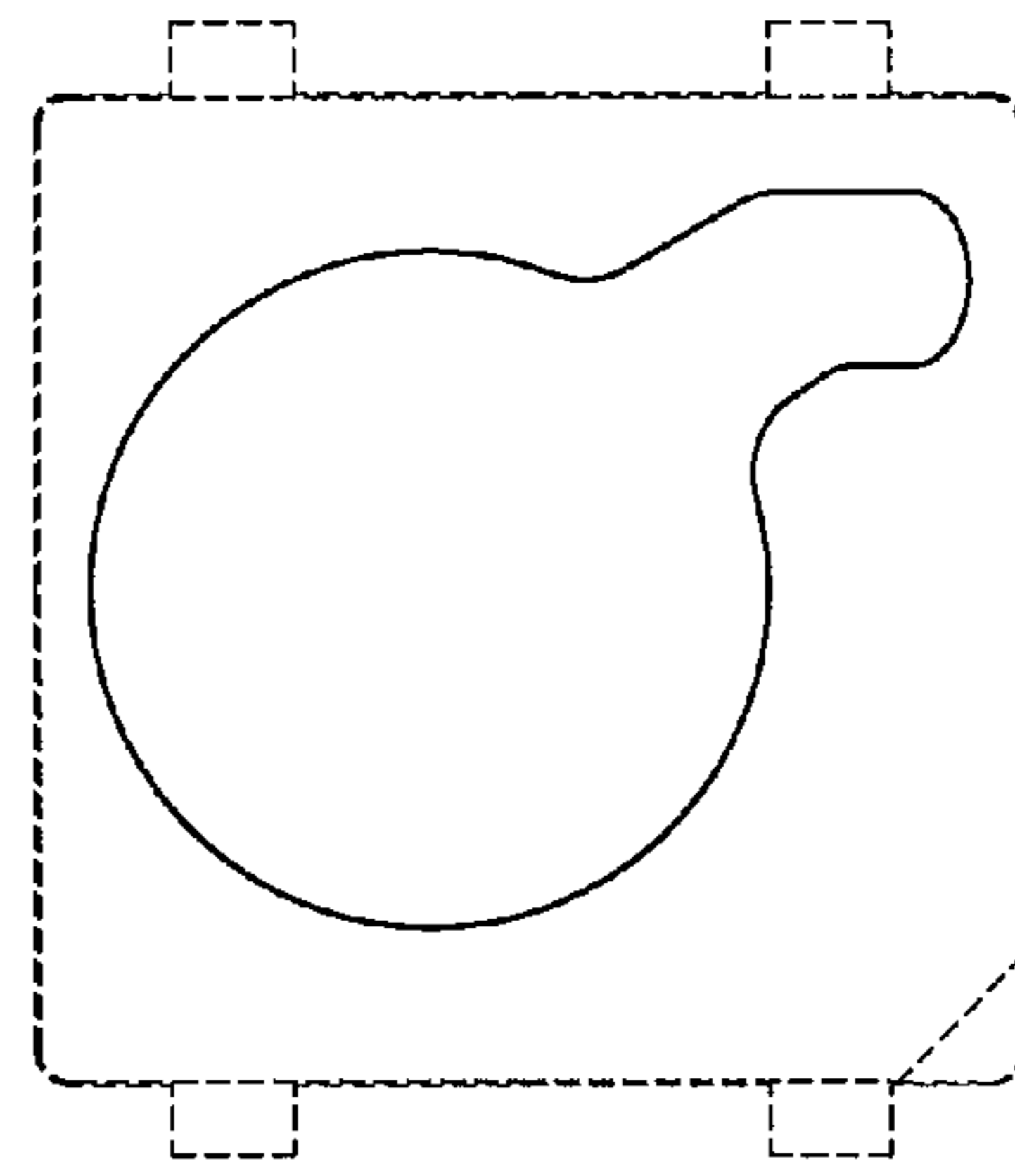


FIG. 6



FIG. 2



FIG. 3



FIG. 4



FIG. 5

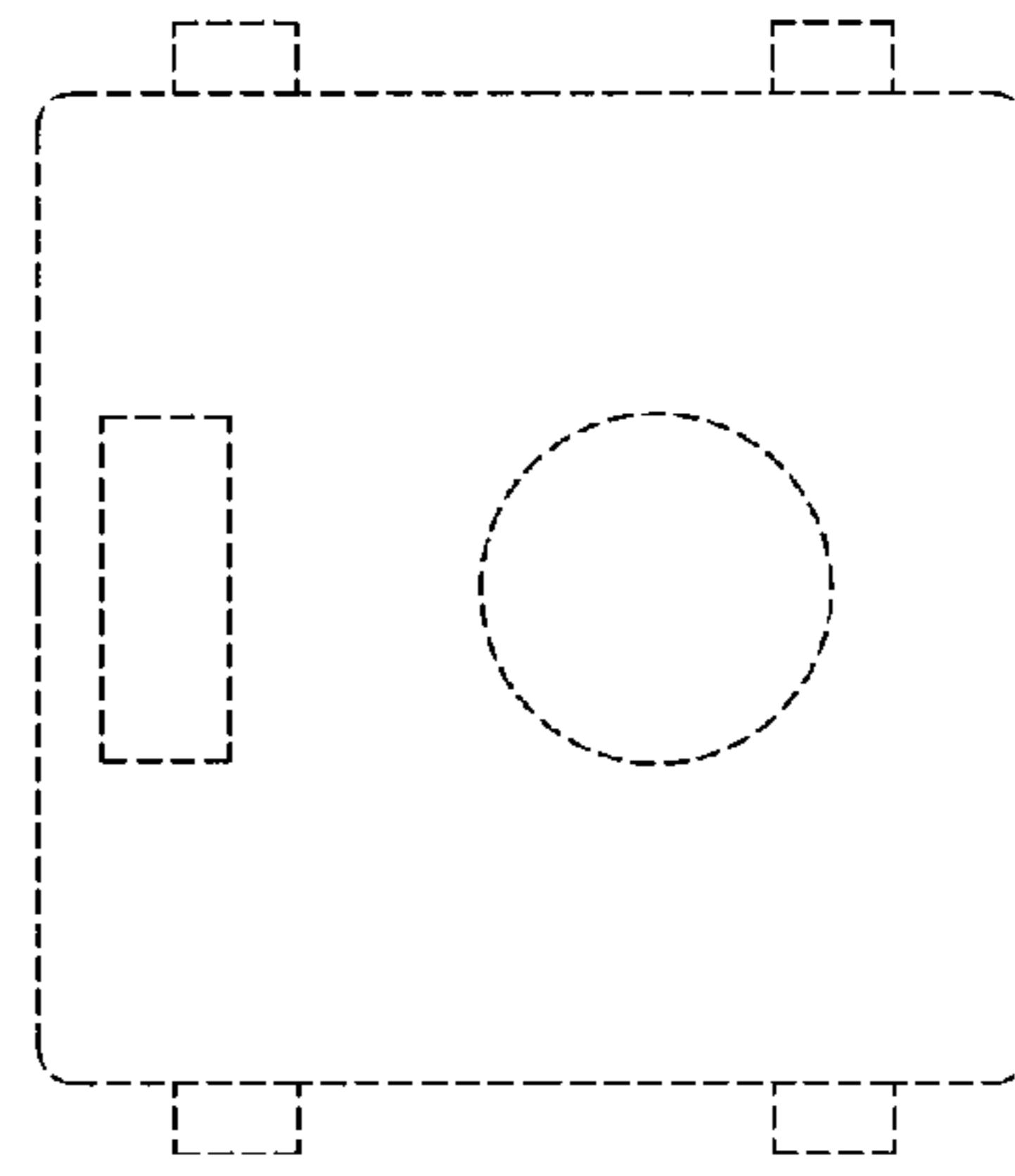


FIG. 7