



US00D595245S

(12) **United States Design Patent**  
**Kim et al.**

(10) **Patent No.:** **US D595,245 S**  
(45) **Date of Patent:** **\*\* Jun. 30, 2009**

(54) **LIGHT-EMITTING DIODE**

(75) Inventors: **Dae Hyun Kim**, Ulsan (KR); **Hun Joo Hahm**, Gyunggi-do (KR); **Hyung Suk Kim**, Gyunggi-do (KR); **Dae Yeon Kim**, Gyunggi-do (KR); **Young Sam Park**, Seoul (KR); **Do Hun Kim**, Seoul (KR); **Seong Yeon Han**, Gwangju (KR)

(73) Assignee: **Samsung Electro-Mechanics Co., Ltd.**, Gyunggi-do (KR)

(\*\*) Term: **14 Years**

(21) Appl. No.: **29/325,555**

(22) Filed: **Oct. 2, 2008**

(30) **Foreign Application Priority Data**

Jun. 20, 2008 (KR) ..... 30-2008-0026721

(51) **LOC (9) Cl.** ..... **13-03**

(52) **U.S. Cl.** ..... **D13/180**

(58) **Field of Classification Search** ..... D13/180;  
D26/2; 257/79, 80, 81, 88, 89, 95, 98, 99,  
257/100; 313/483, 498, 500; 362/555, 800  
See application file for complete search history.

(56) **References Cited**

**U.S. PATENT DOCUMENTS**

D494,550 S \* 8/2004 Hoshiba ..... D13/180  
D503,930 S \* 4/2005 Asakawa ..... D13/180

D551,180 S \* 9/2007 Song et al. .... D13/180  
D584,246 S \* 1/2009 Low et al. .... D13/180  
2006/0049422 A1\* 3/2006 Shoji ..... 257/100

**FOREIGN PATENT DOCUMENTS**

KR 30-0454626 7/2007

\* cited by examiner

*Primary Examiner*—Selina Sikder

(74) *Attorney, Agent, or Firm*—McDermott Will & Emery LLP

(57) **CLAIM**

We claim the ornamental design for a light-emitting diode, as shown and described.

**DESCRIPTION**

FIG. 1 is the perspective view of a light-emitting diode

FIG. 2 is the front view thereof

FIG. 3 is the rear view thereof

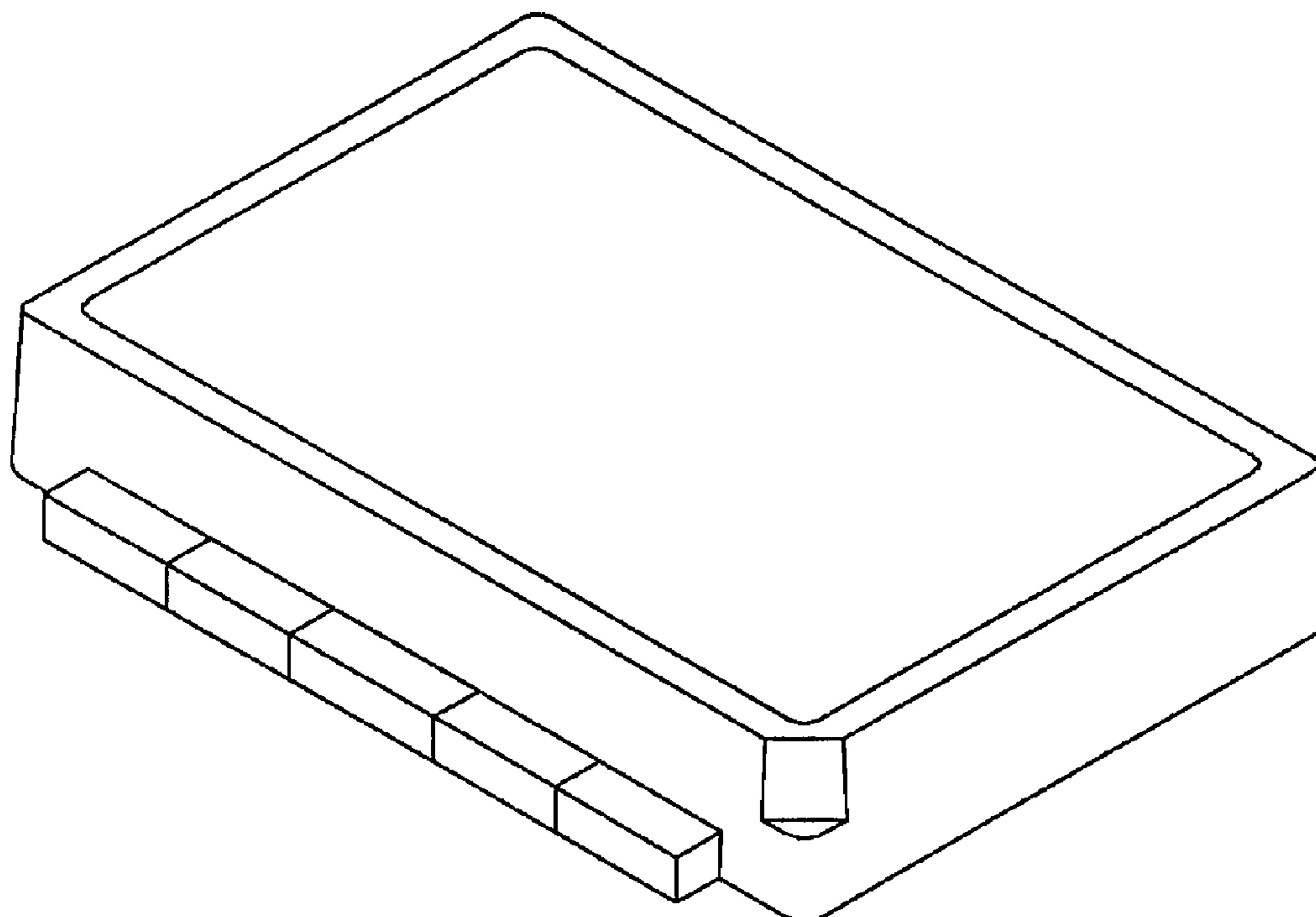
FIG. 4 is the left side view thereof

FIG. 5 is the right side view thereof

FIG. 6 is the top plan view thereof; and,

FIG. 7 is the bottom view thereof.

**1 Claim, 2 Drawing Sheets**



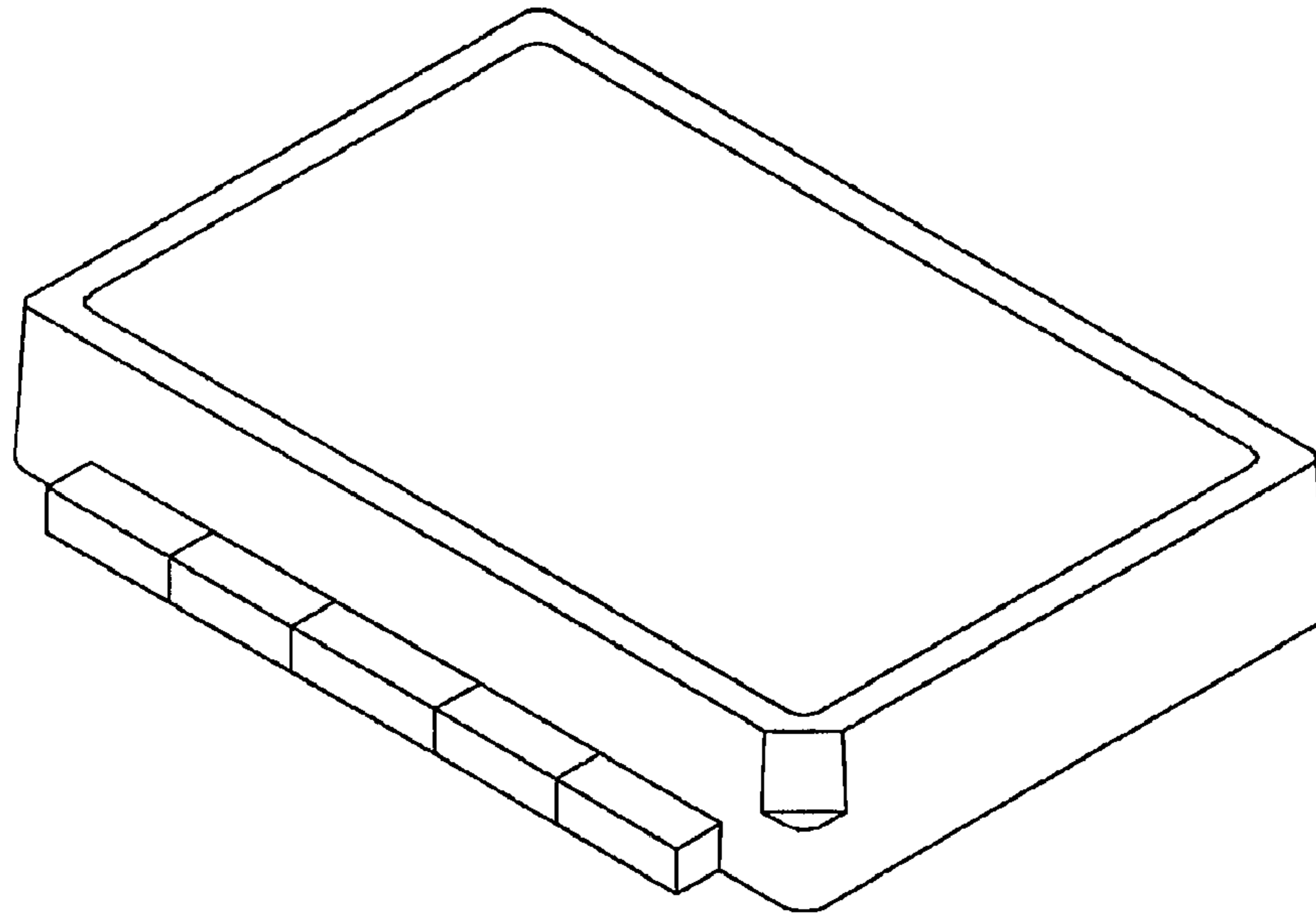


FIG. 1

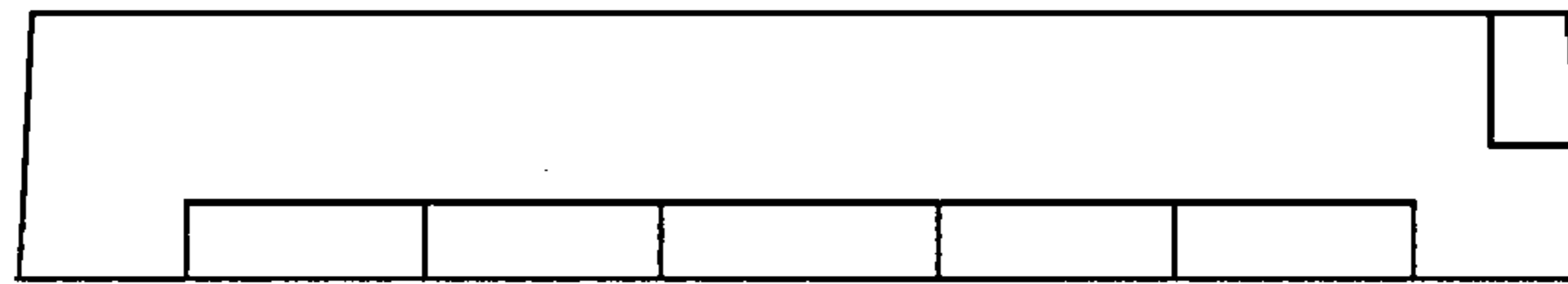


FIG. 2

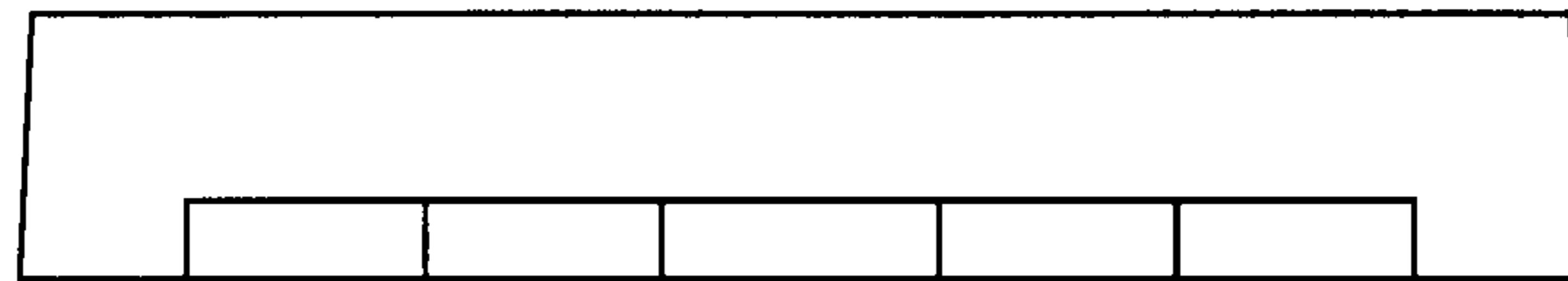


FIG. 3



FIG. 4

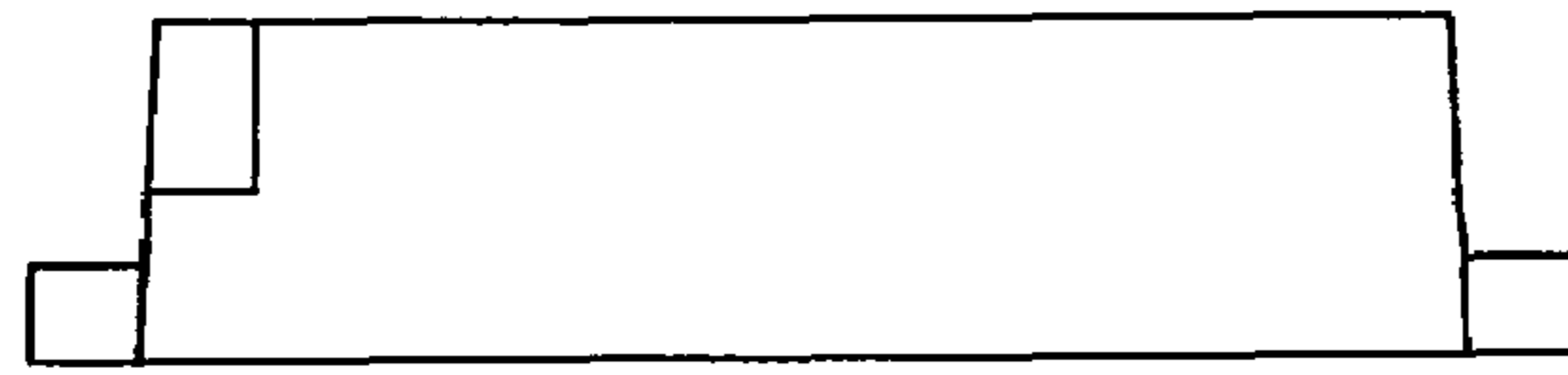


FIG. 5

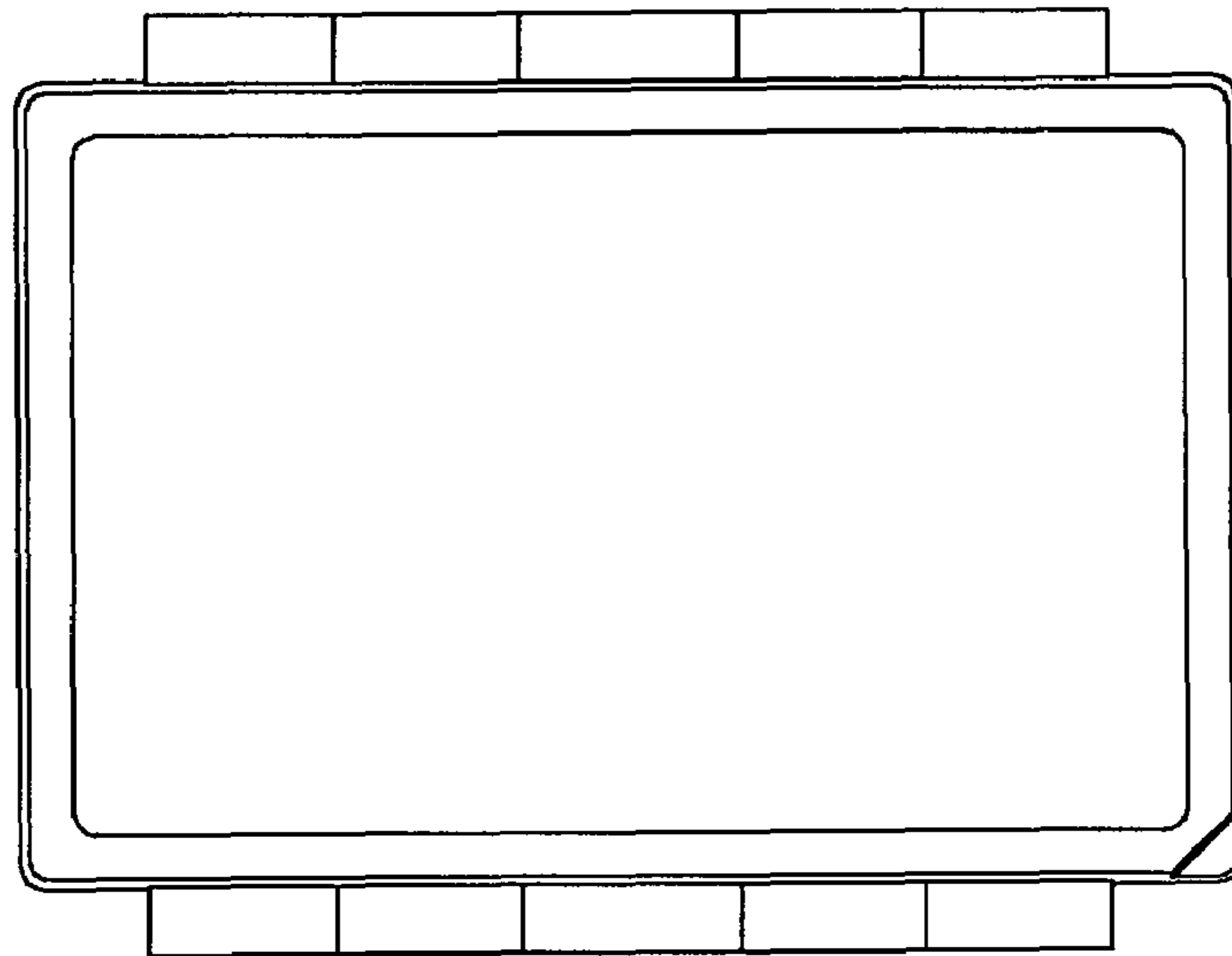


FIG. 6

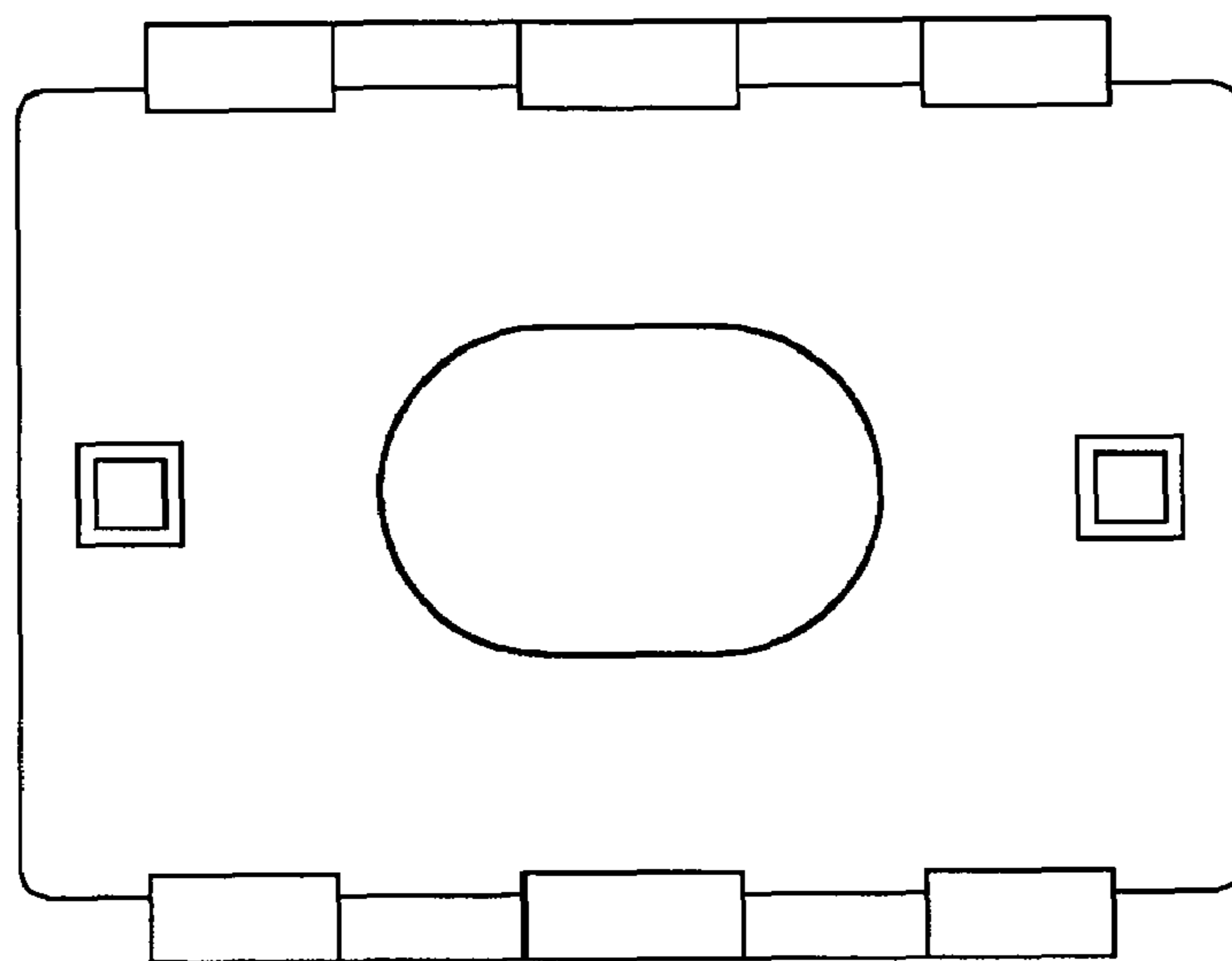


FIG. 7