



US00D595244S

(12) **United States Design Patent**  
**In et al.**

(10) **Patent No.:** **US D595,244 S**  
(45) **Date of Patent:** **\*\* Jun. 30, 2009**

(54) **LIGHT EMITTING DIODE**

(75) Inventors: **Chi-Ok In**, Chungcheongnam-do (KR);  
**Jong-Won Park**, Seongnam-si (KR)

(73) Assignee: **Alti-Electronics Co., Ltd** (KR)

(\*\*) Term: **14 Years**

(21) Appl. No.: **29/322,785**

(22) Filed: **Aug. 12, 2008**

(30) **Foreign Application Priority Data**

Feb. 15, 2008 (KR) ..... 30-2008-0006367

(51) **LOC (9) Cl.** ..... **13-03**

(52) **U.S. Cl.** ..... **D13/180**

(58) **Field of Classification Search** ..... D13/180;  
D26/2; 257/79, 80, 81, 88, 89, 95, 98, 99,  
257/100; 313/483, 498, 500; 362/555, 800  
See application file for complete search history.

(56) **References Cited**

**U.S. PATENT DOCUMENTS**

6,586,721 B2 \* 7/2003 Estevez-Garcia ..... 250/221  
D494,550 S \* 8/2004 Hoshiba ..... D13/180

D495,304 S \* 8/2004 Kim et al. .... D13/180  
D503,930 S \* 4/2005 Asakawa ..... D13/180  
D584,246 S \* 1/2009 Low et al. .... D13/180  
D585,848 S \* 2/2009 Kim et al. .... D13/180

\* cited by examiner

*Primary Examiner*—Selina Sikder

(74) *Attorney, Agent, or Firm*—The Farrell Law Firm, LLP

(57) **CLAIM**

The ornamental design for a light emitting diode, as shown and described.

**DESCRIPTION**

FIG. 1 is a perspective view of a light emitting diode showing our new design;

FIG. 2 is a front elevational view thereof;

FIG. 3 is a rear elevational view thereof;

FIG. 4 is a left side elevational view thereof;

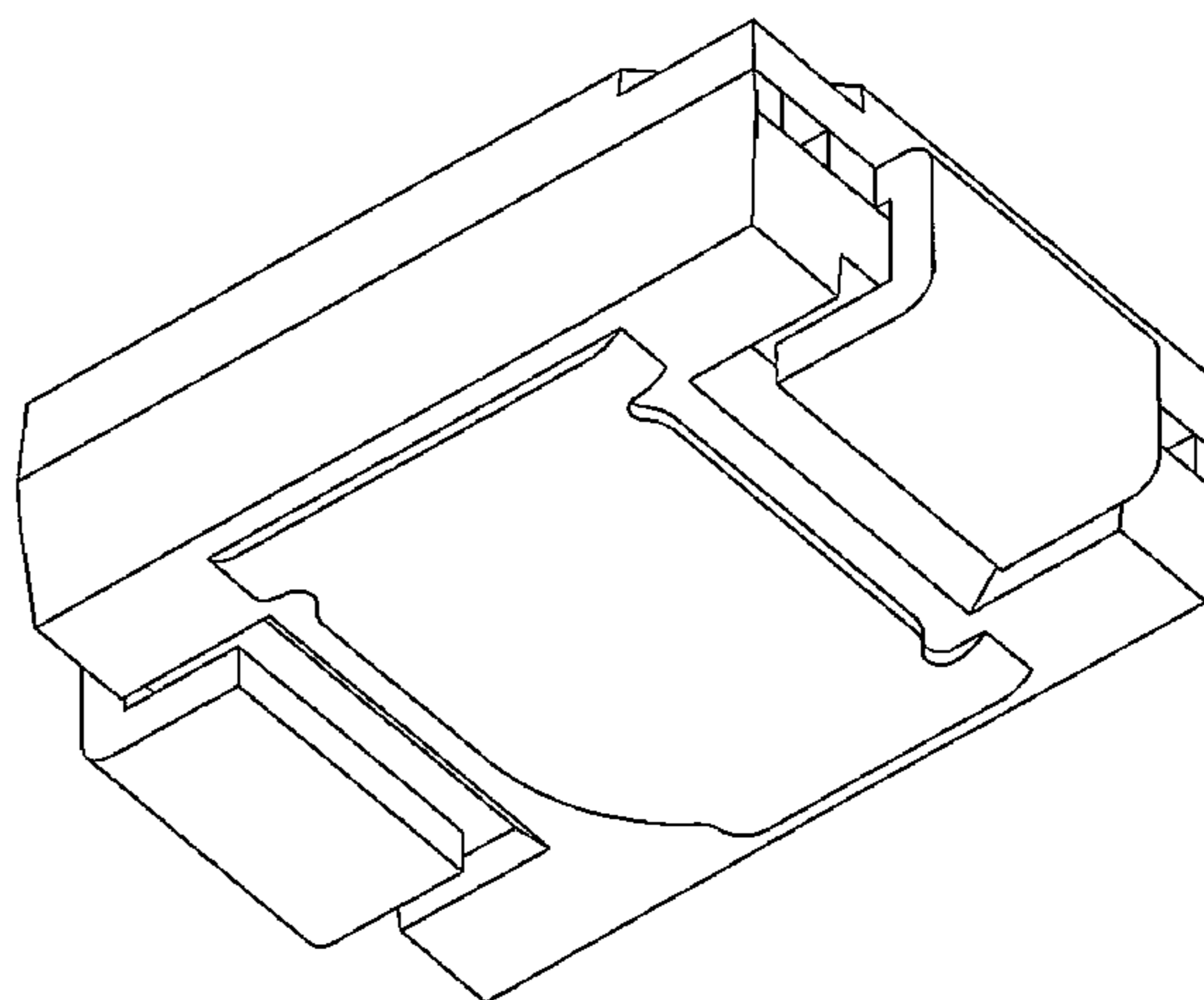
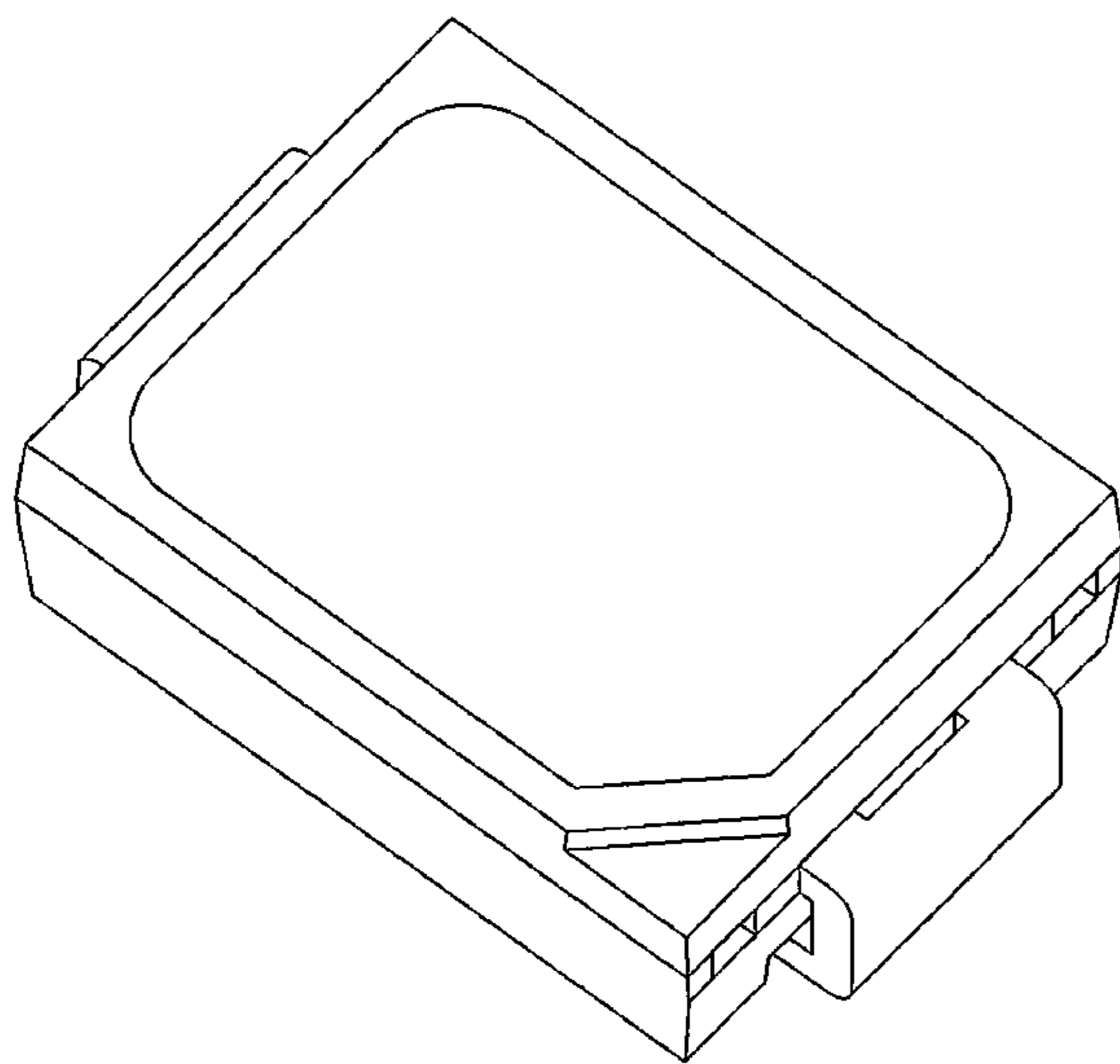
FIG. 5 is a right side elevational view thereof;

FIG. 6 is a top plan view thereof;

FIG. 7 is a bottom plan view thereof; and,

FIG. 8 is a rear bottom perspective view thereof.

**1 Claim, 8 Drawing Sheets**



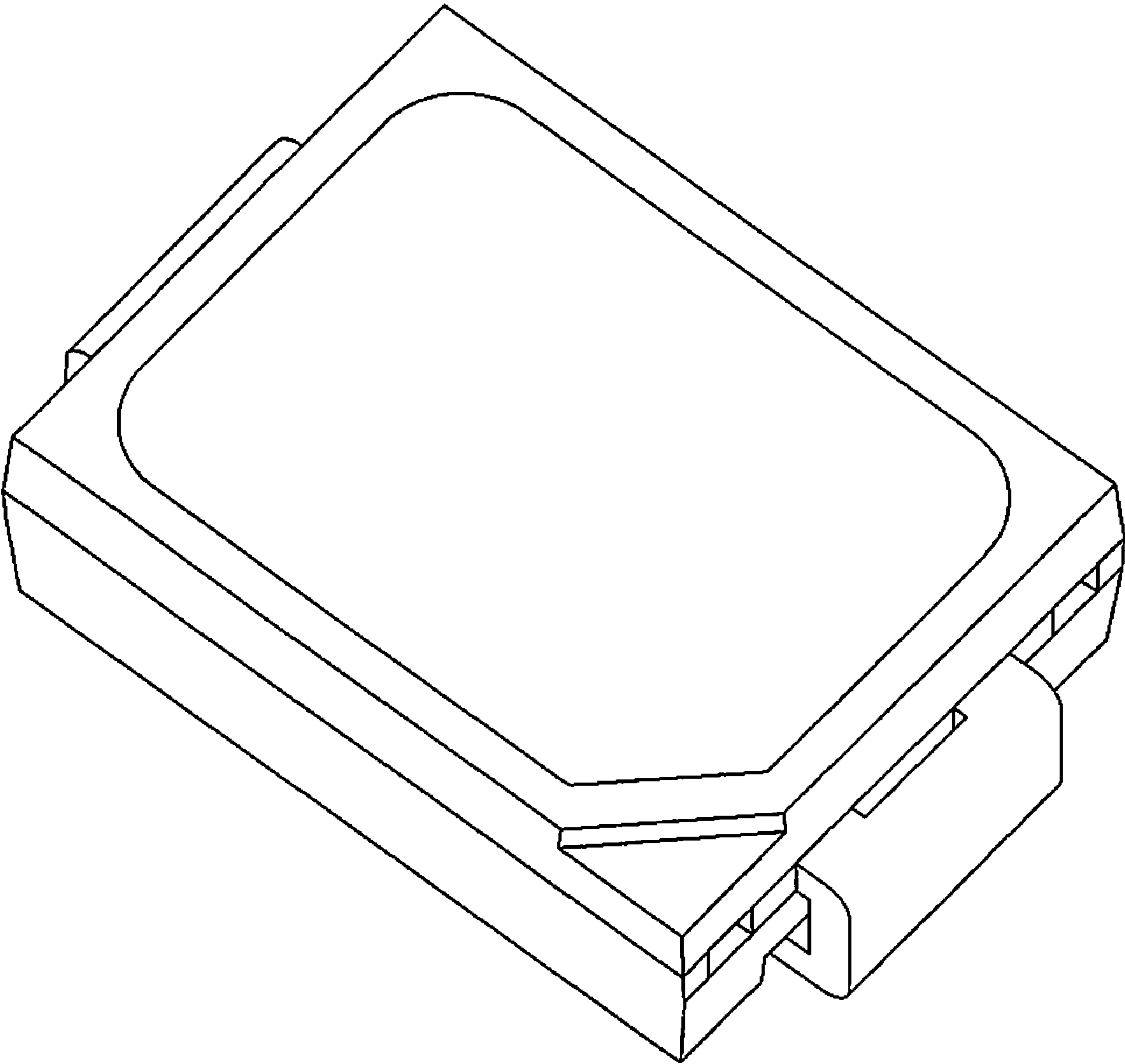


FIG. 1

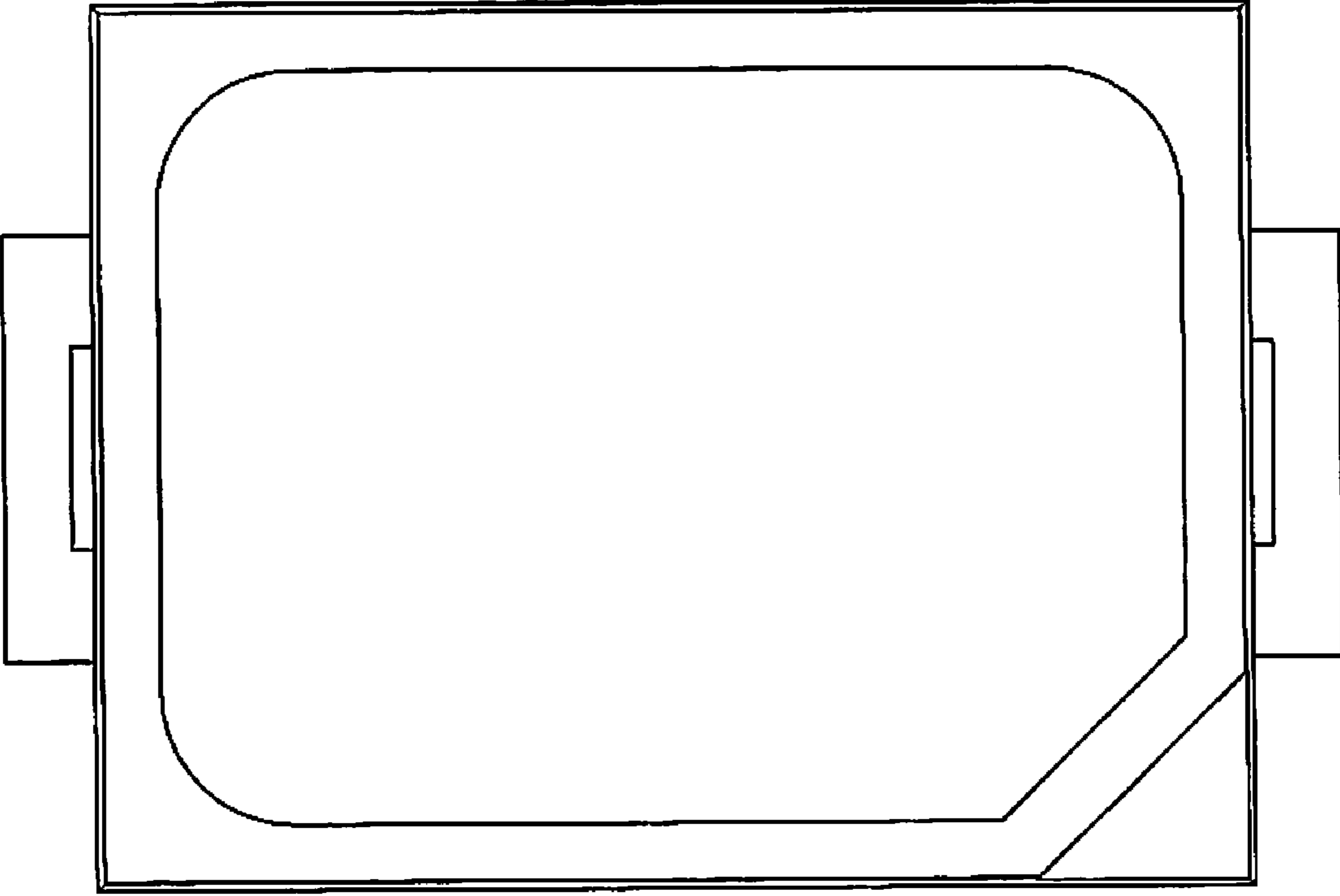


FIG. 2

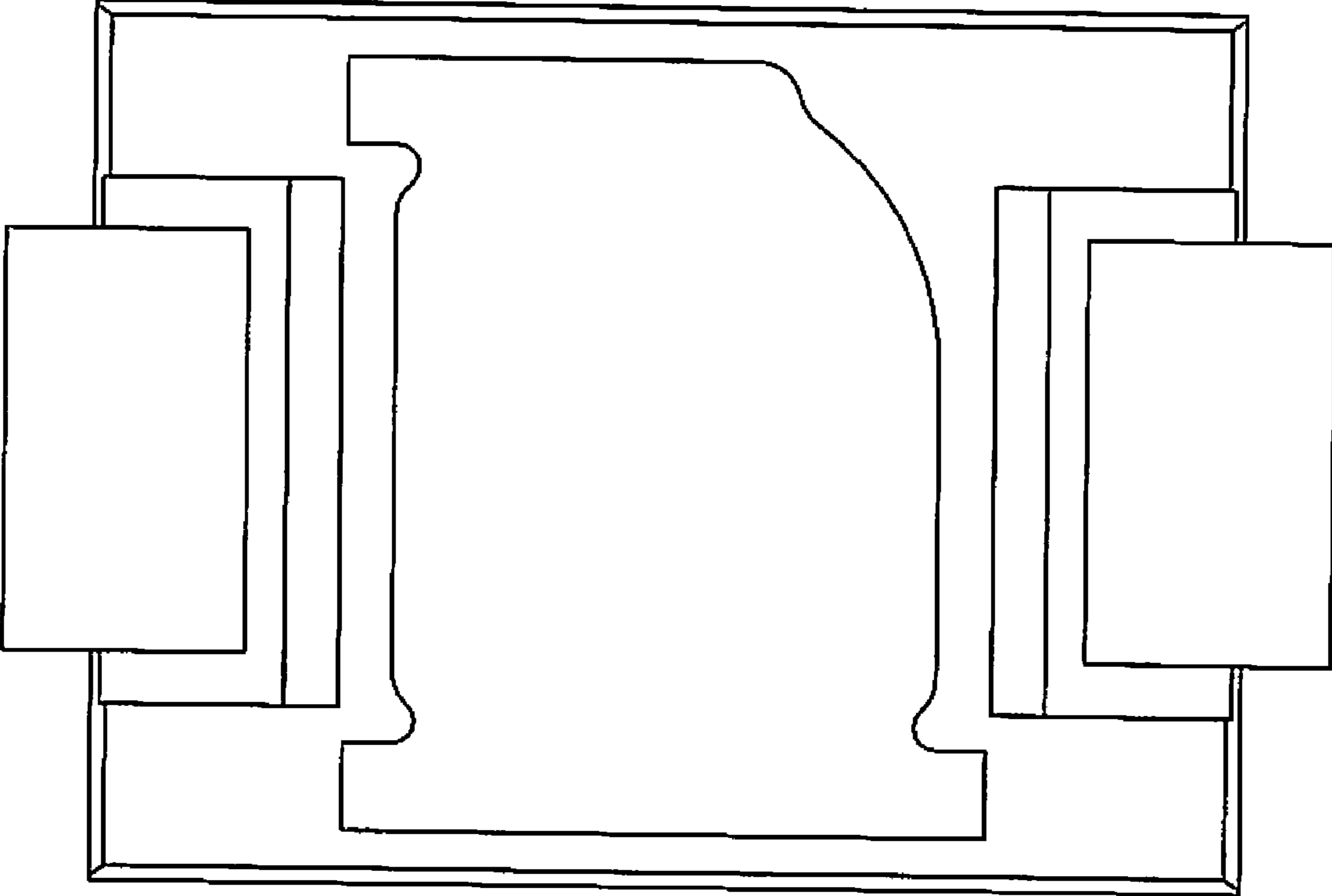


FIG. 3

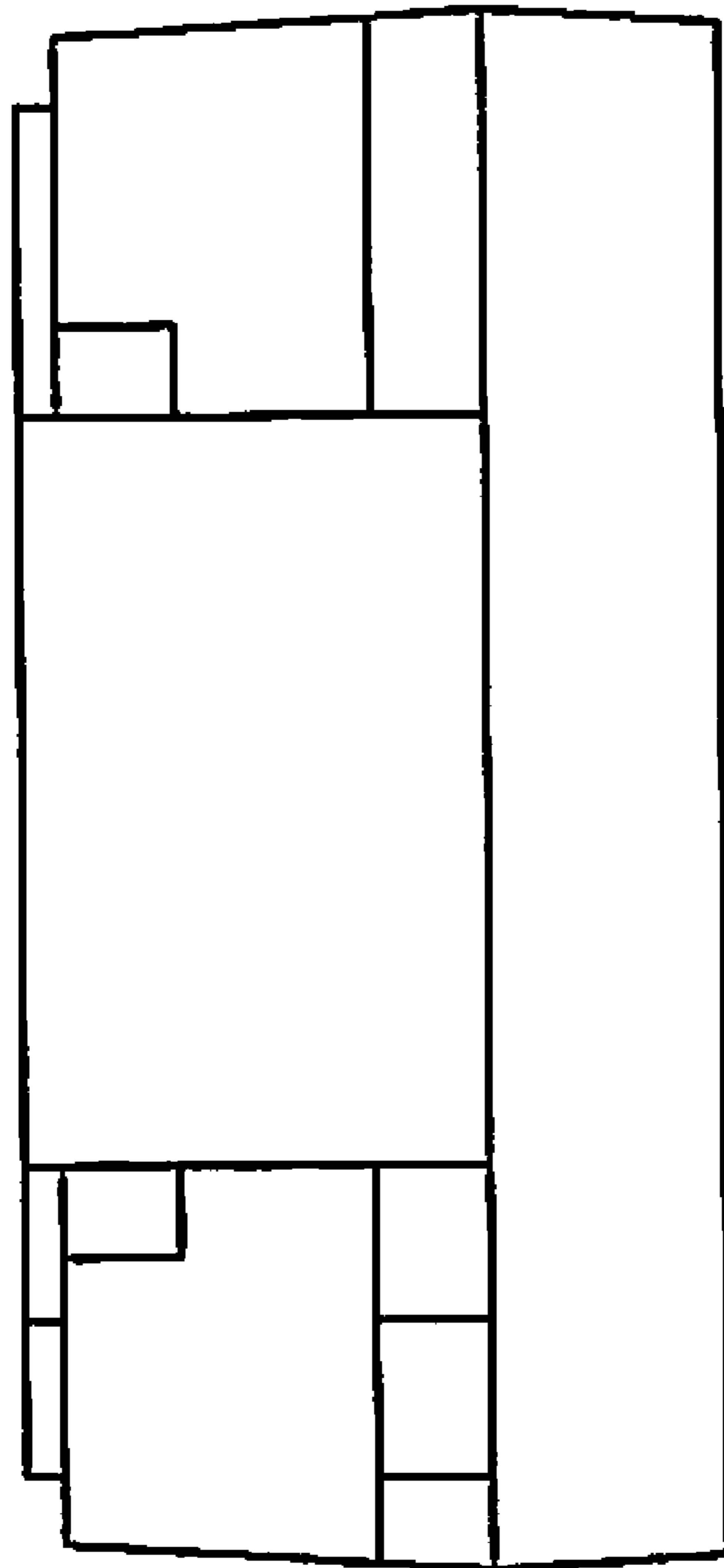


FIG. 4

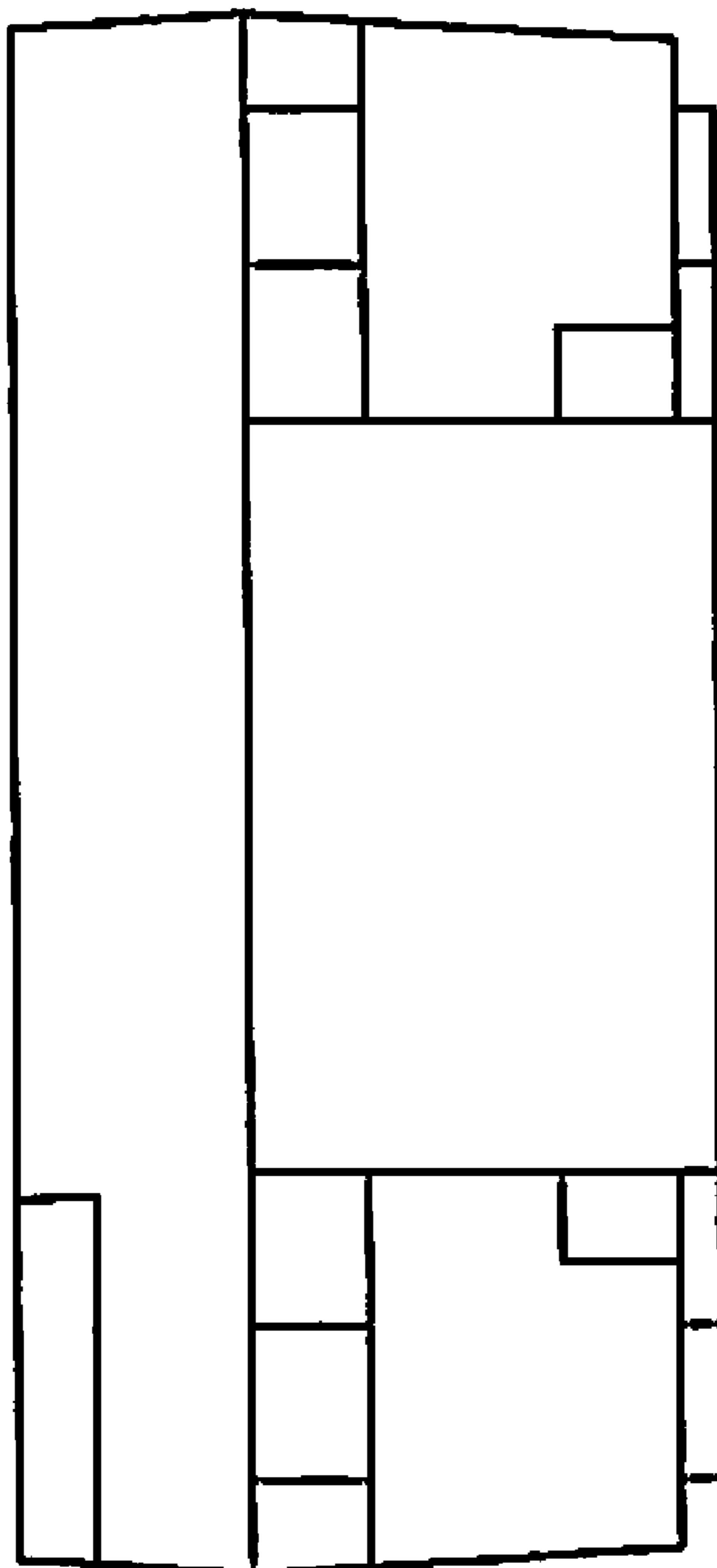


FIG. 5

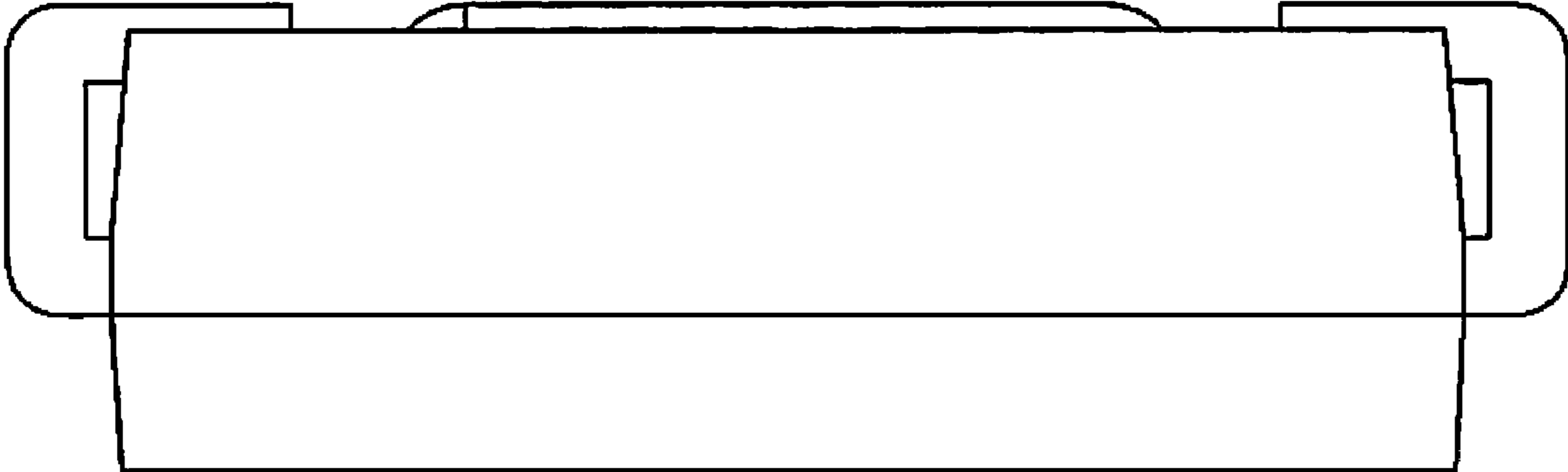


FIG. 6

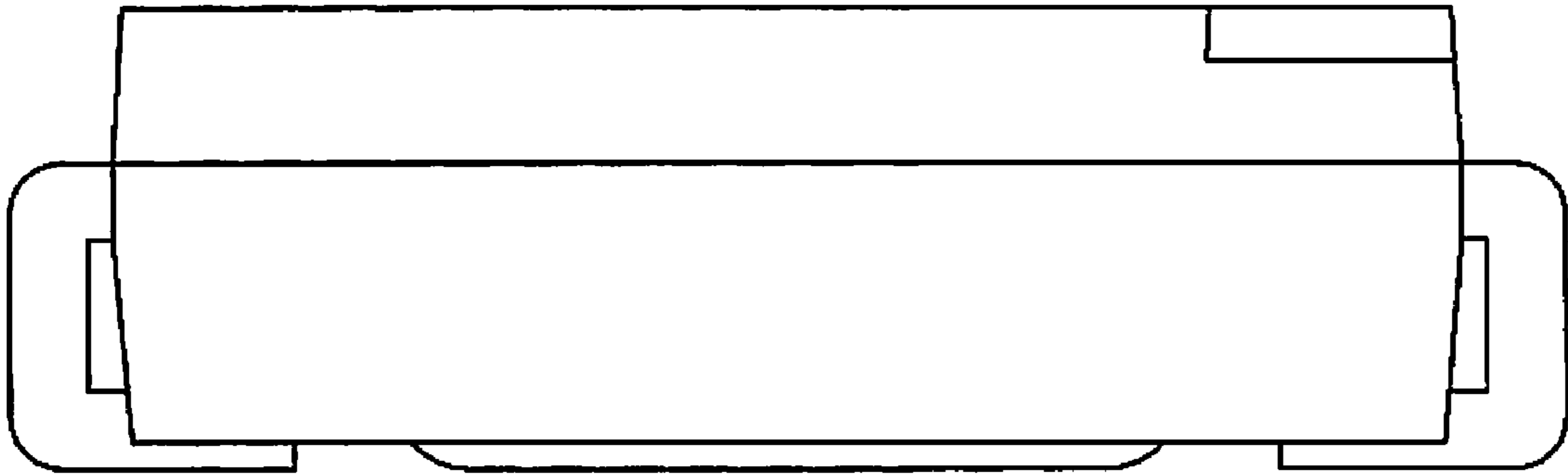


FIG. 7



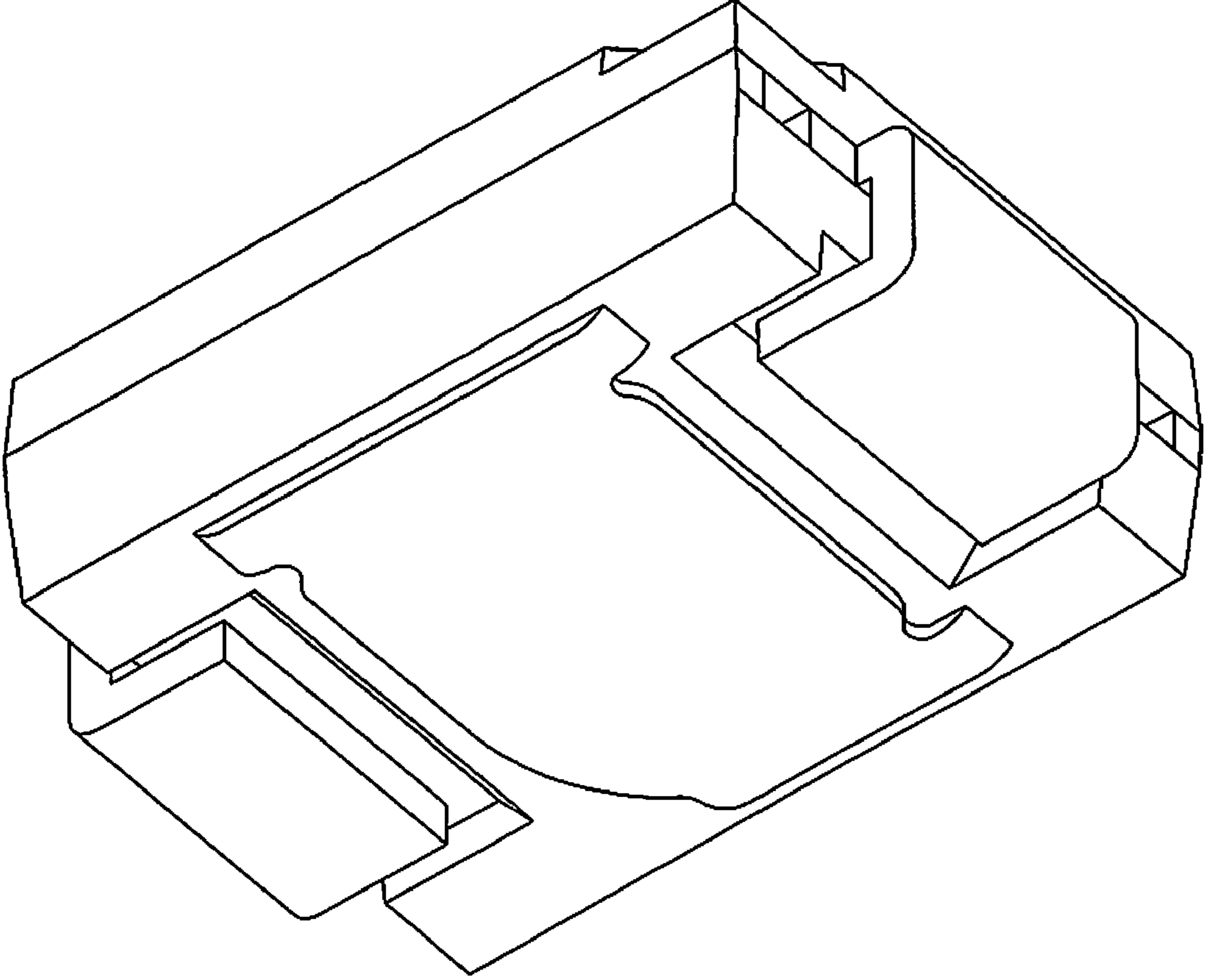


FIG. 8