



US00D595243S

(12) **United States Design Patent**  
**Yoon et al.**

(10) **Patent No.:** **US D595,243 S**  
(45) **Date of Patent:** **\*\* \*Jun. 30, 2009**

(54) **LIGHT-EMITTING DIODE**

(75) Inventors: **Jae Joon Yoon**, Gyunggi-do (KR); **Sung Soo Park**, Gyunggi-do (KR); **Hyouun Soo Shin**, Seoul (KR)

(73) Assignee: **Samsung Electro-Mechanics Co., Ltd.**, Gyunggi-Do (KR)

(\*) Notice: This patent is subject to a terminal disclaimer.

(\*\*) Term: **14 Years**

(21) Appl. No.: **29/290,399**

(22) Filed: **Nov. 30, 2007**

(30) **Foreign Application Priority Data**

Jun. 19, 2007 (KR) ..... 30-2007-0026166

(51) **LOC (9) Cl.** ..... **13-03**

(52) **U.S. Cl.** ..... **D13/180**

(58) **Field of Classification Search** ..... D13/180;  
D26/2; 257/79, 80, 81, 88, 89, 95, 98, 99,  
257/100; 313/483, 498, 500; 362/555, 800  
See application file for complete search history.

(56) **References Cited**

**U.S. PATENT DOCUMENTS**

D495,667 S \* 9/2004 Kim et al. .... D13/180

D528,999 S 9/2006 Cho et al.  
D537,798 S \* 3/2007 Shin et al. .... D13/180  
D551,181 S \* 9/2007 Son ..... D13/180  
D558,156 S \* 12/2007 Yoon et al. .... D13/180  
D558,693 S \* 1/2008 Shin et al. .... D13/180  
D579,425 S \* 10/2008 Yoon et al. .... D13/180

\* cited by examiner

*Primary Examiner*—Selina Sikder

(74) *Attorney, Agent, or Firm*—McDermott Will & Emery LLP

(57) **CLAIM**

We claim the ornamental design for the light-emitting diode, as shown and described.

**DESCRIPTION**

FIG. 1 is the perspective view of the light-emitting diode

FIG. 2 is the front view thereof

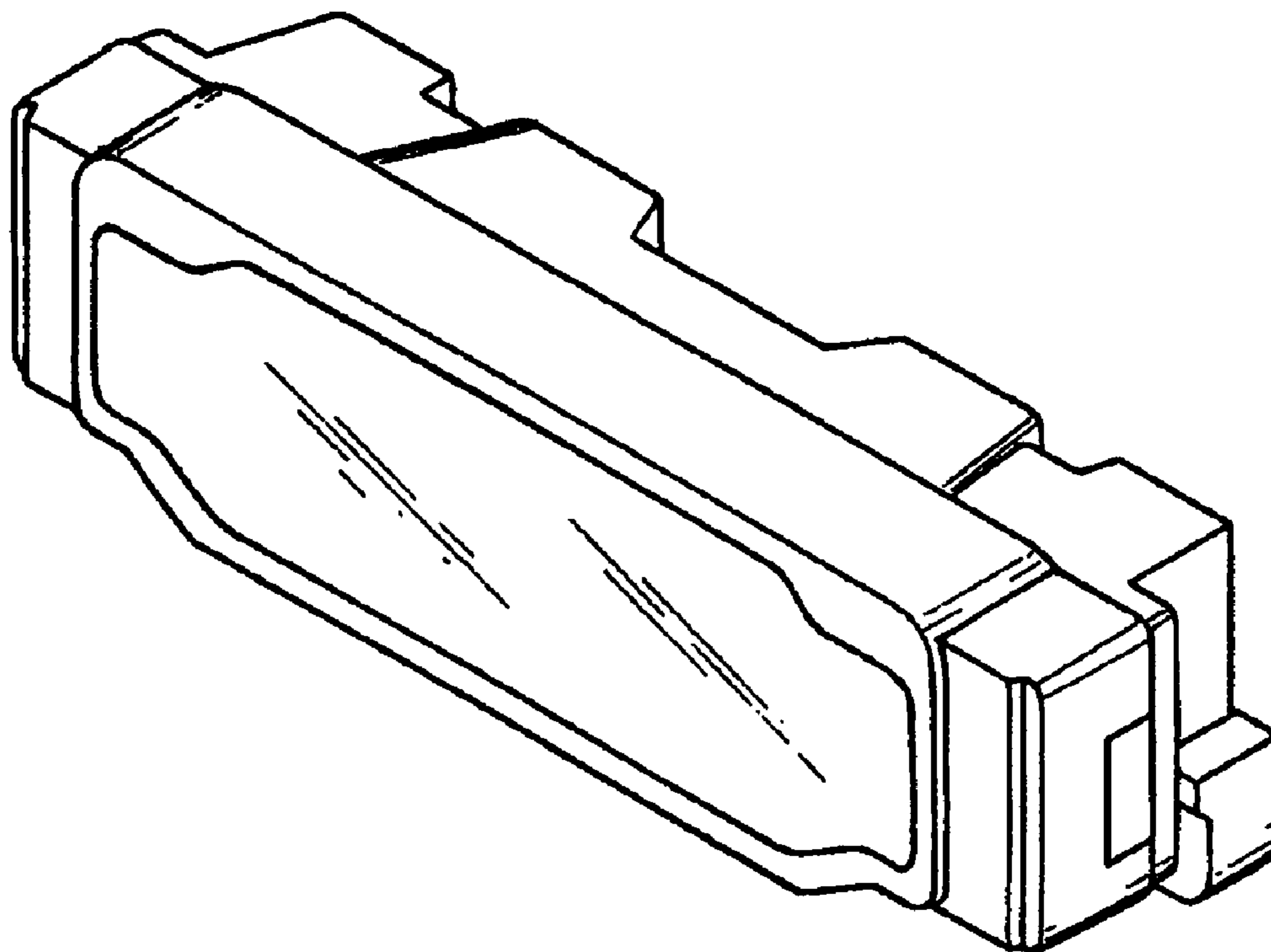
FIG. 3 is the rear view thereof

FIG. 4 is the left side view thereof (the right side view thereof is a mirror image of this)

FIG. 5 is the top plan view thereof; and,

FIG. 6 is the bottom view thereof.

**1 Claim, 2 Drawing Sheets**



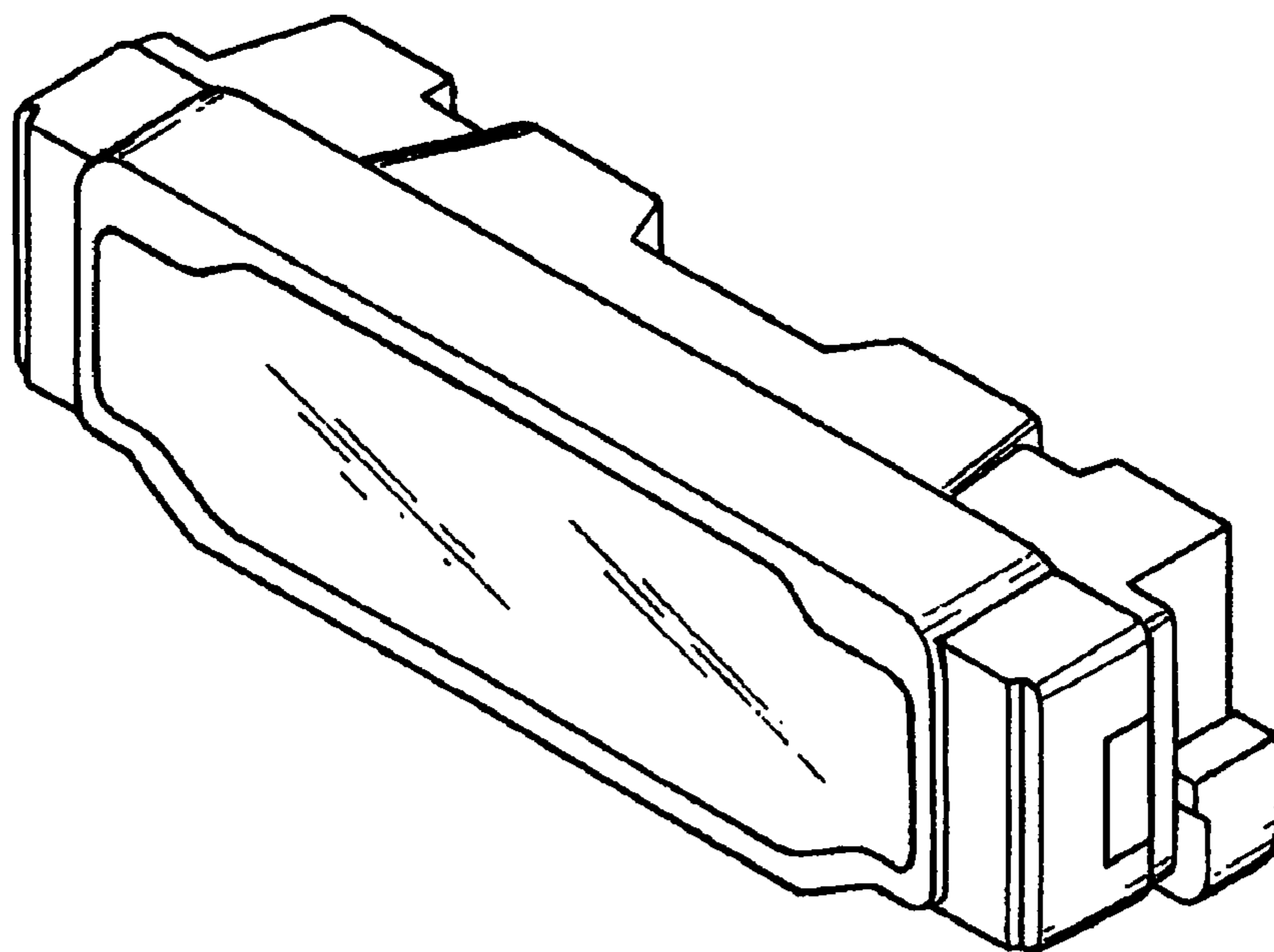


FIG. 1

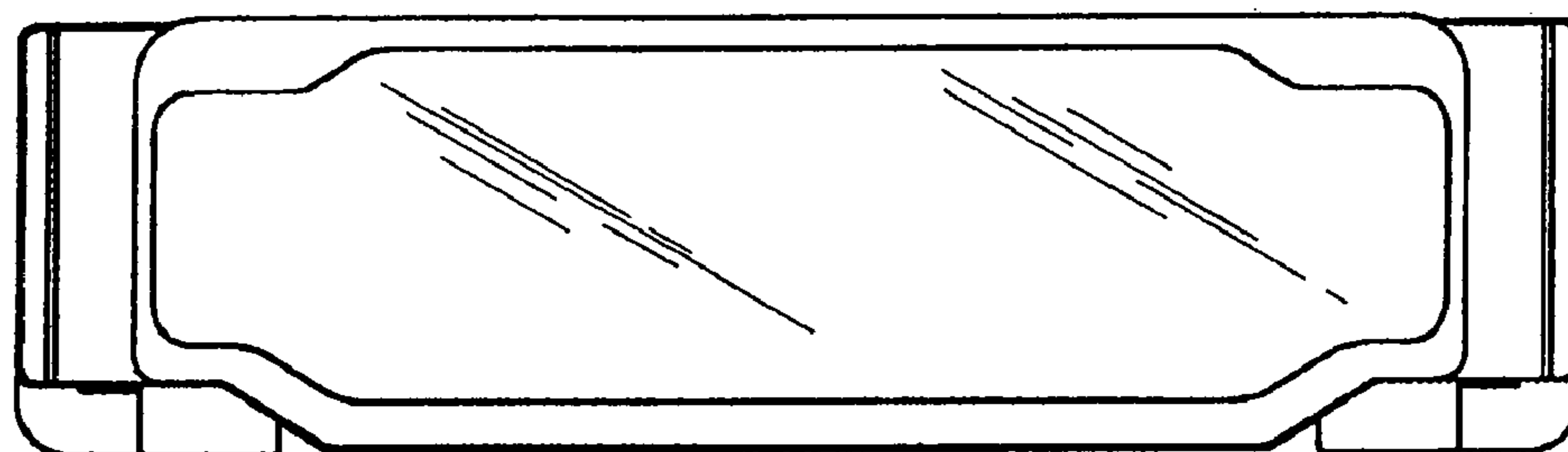


FIG. 2

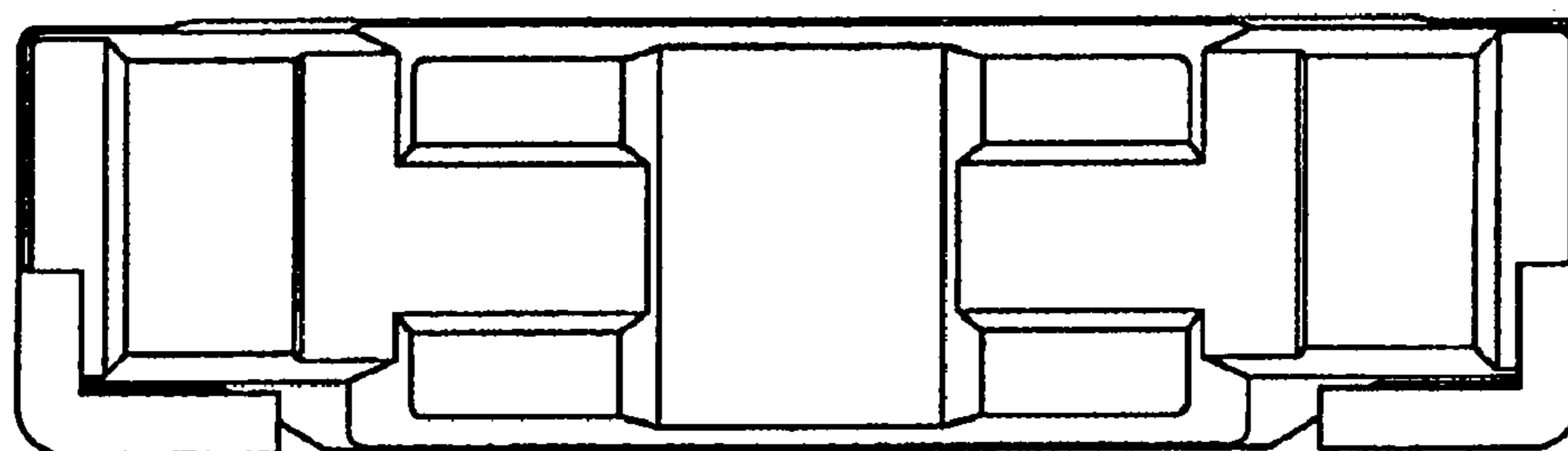


FIG. 3

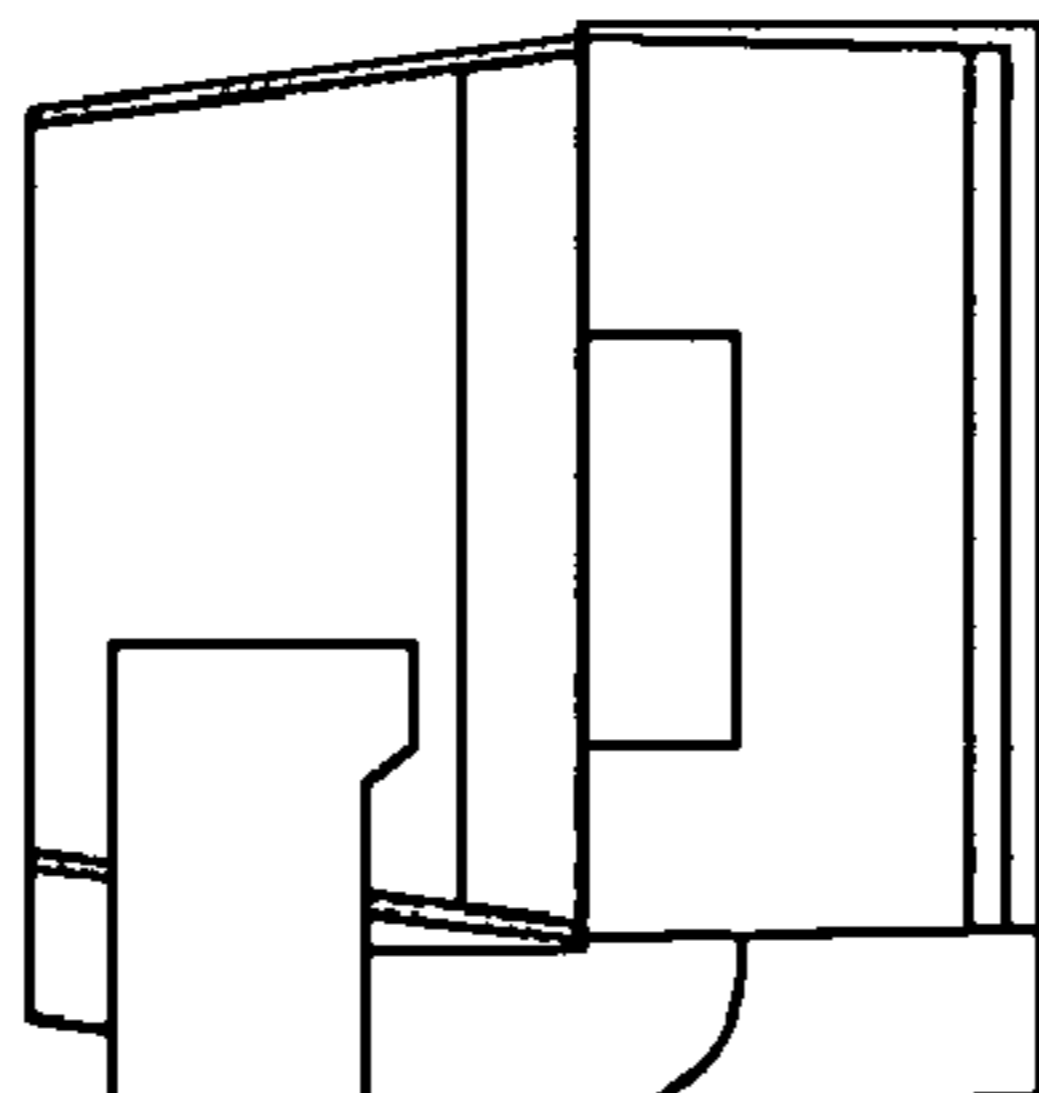


FIG. 4

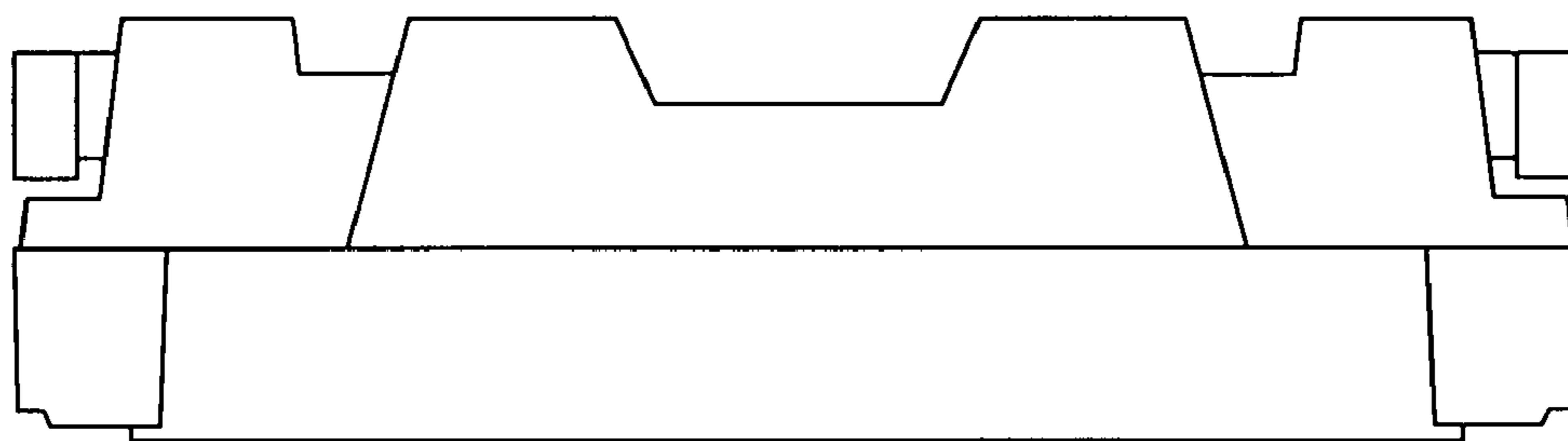


FIG. 5

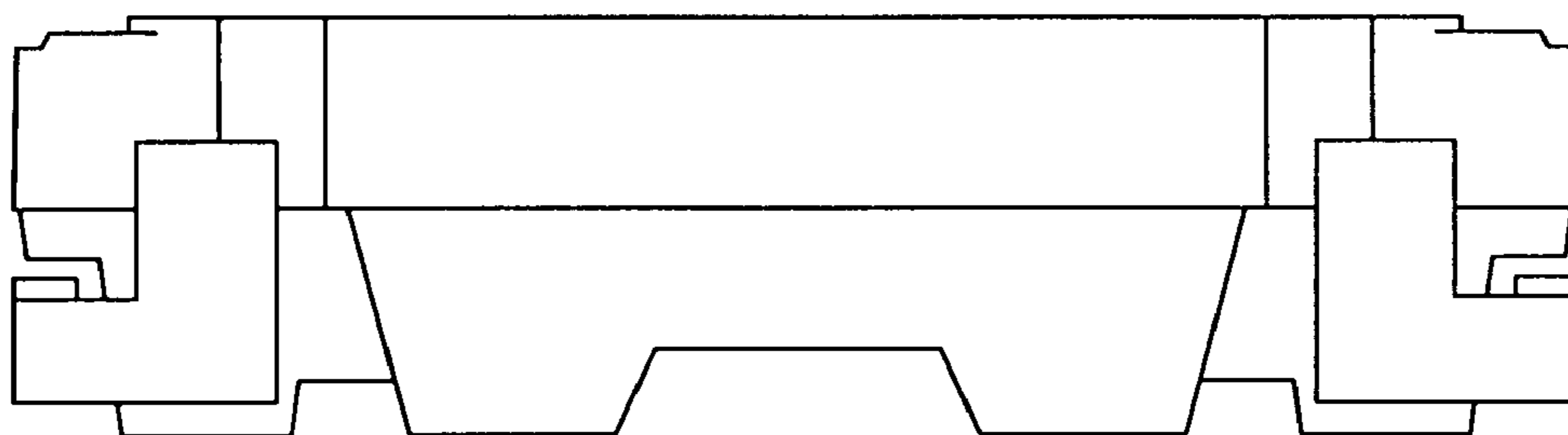


FIG. 6