



US00D595241S

(12) **United States Design Patent**
Nishiyama et al.

(10) **Patent No.:** **US D595,241 S**

(45) **Date of Patent:** **** Jun. 30, 2009**

(54) **SWITCH**

(75) Inventors: **Tohru Nishiyama**, Hirakata (JP);
Kanako Murayama, Takatsuki (JP)

(73) Assignee: **Panasonic Electric Works Co., Ltd.**,
Osaka (JP)

(**) Term: **14 Years**

(21) Appl. No.: **29/310,135**

(22) Filed: **Jul. 28, 2008**

(30) **Foreign Application Priority Data**

Jan. 28, 2008 (JP) 2008-001566

(51) **LOC (9) Cl.** **13-03**

(52) **U.S. Cl.** **D13/174**

(58) **Field of Classification Search** D13/162,
D13/171, 174; 174/66; 200/5 R, 5 A, 1 B,
200/293, 296, 329, 406, 513, 520, 530, 302.1,
200/302.2, 314, 315, 341, 344; 315/291-296;
338/183, 198-200

See application file for complete search history.

(56) **References Cited**

U.S. PATENT DOCUMENTS

- 4,131,870 A * 12/1978 Hilgendorf et al. 338/183
- D311,678 S * 10/1990 Graef et al. D8/353
- D342,481 S * 12/1993 Kukulies D13/164
- D353,798 S * 12/1994 Bryde et al. D13/169
- 6,593,530 B2 * 7/2003 Hunt 174/66
- D479,207 S * 9/2003 Pessina et al. D13/171
- D534,875 S * 1/2007 Wu D13/169
- D576,566 S * 9/2008 Wu et al. D13/169

* cited by examiner

Primary Examiner—Selina Sikder
(74) *Attorney, Agent, or Firm*—Osha•Liang LLP

(57) **CLAIM**

The ornamental design for a switch, as shown and described.

DESCRIPTION

FIG. 1 is a perspective view of the design for a switch according to the invention.

FIG. 2 is a front view of the design according to the invention.

FIG. 3 is a right side view of the design according to the invention.

FIG. 4 is a top view of the design according to the invention.

FIG. 5 is a sectional view of the design along the line 5—5 in FIG. 2 according to the invention, where the internal components are omitted.

FIG. 6 is a sectional view of the design along the line 6—6 in FIG. 2 according to the invention, where the internal components are omitted; and,

FIG. 7 is a top view of the design according to the invention in an alternative position, where the top button is pushed.

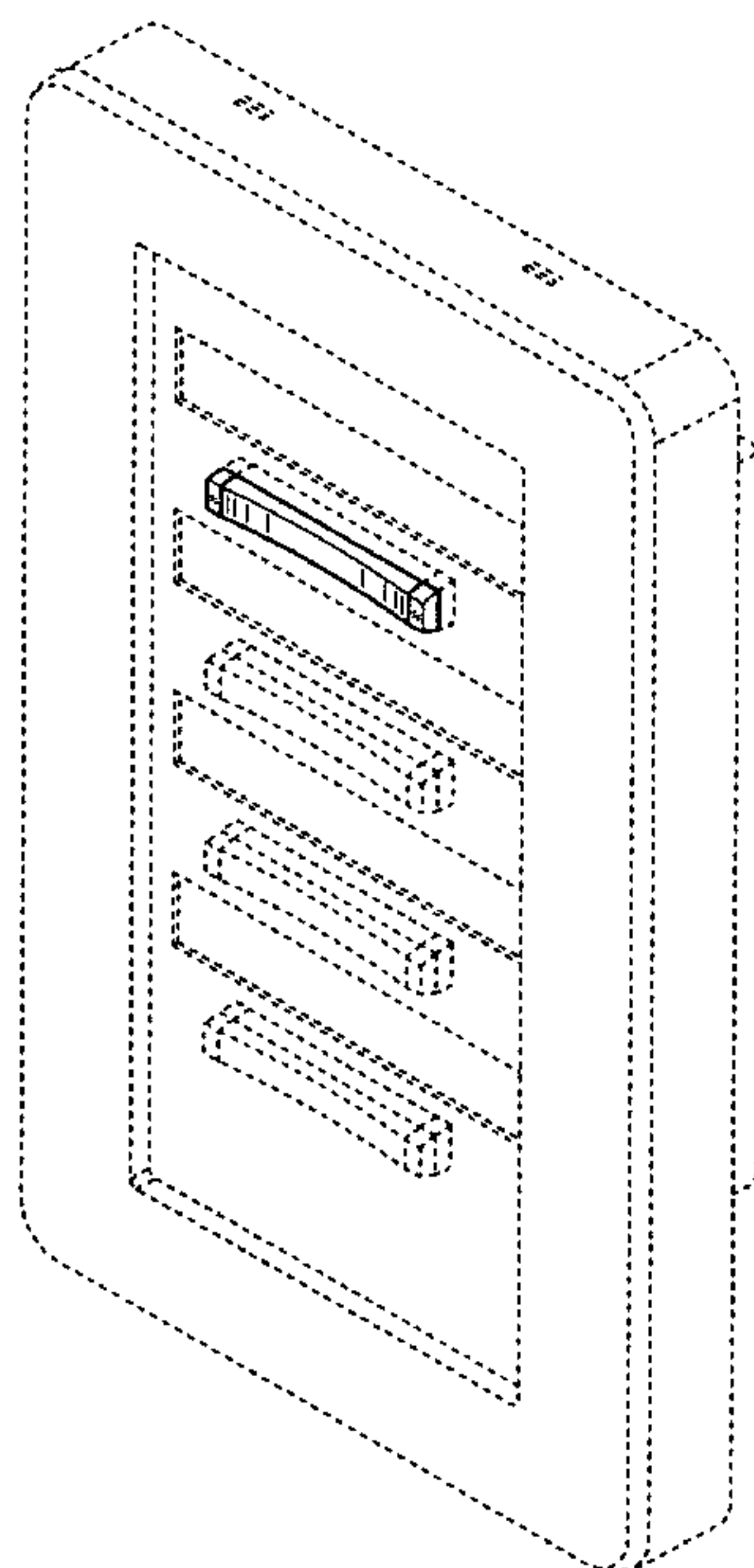
A left side view of the design according to the invention is a mirror image of the right side view as shown in FIG. 3.

The elements shown in broken lines are for illustrative purposes only and form no part of the claimed invention.

The portions shown in diagonal lines are transparent.

Applicant respectfully notes that illumination through the transparent portions at each side of each switch may or may not be present.

1 Claim, 3 Drawing Sheets



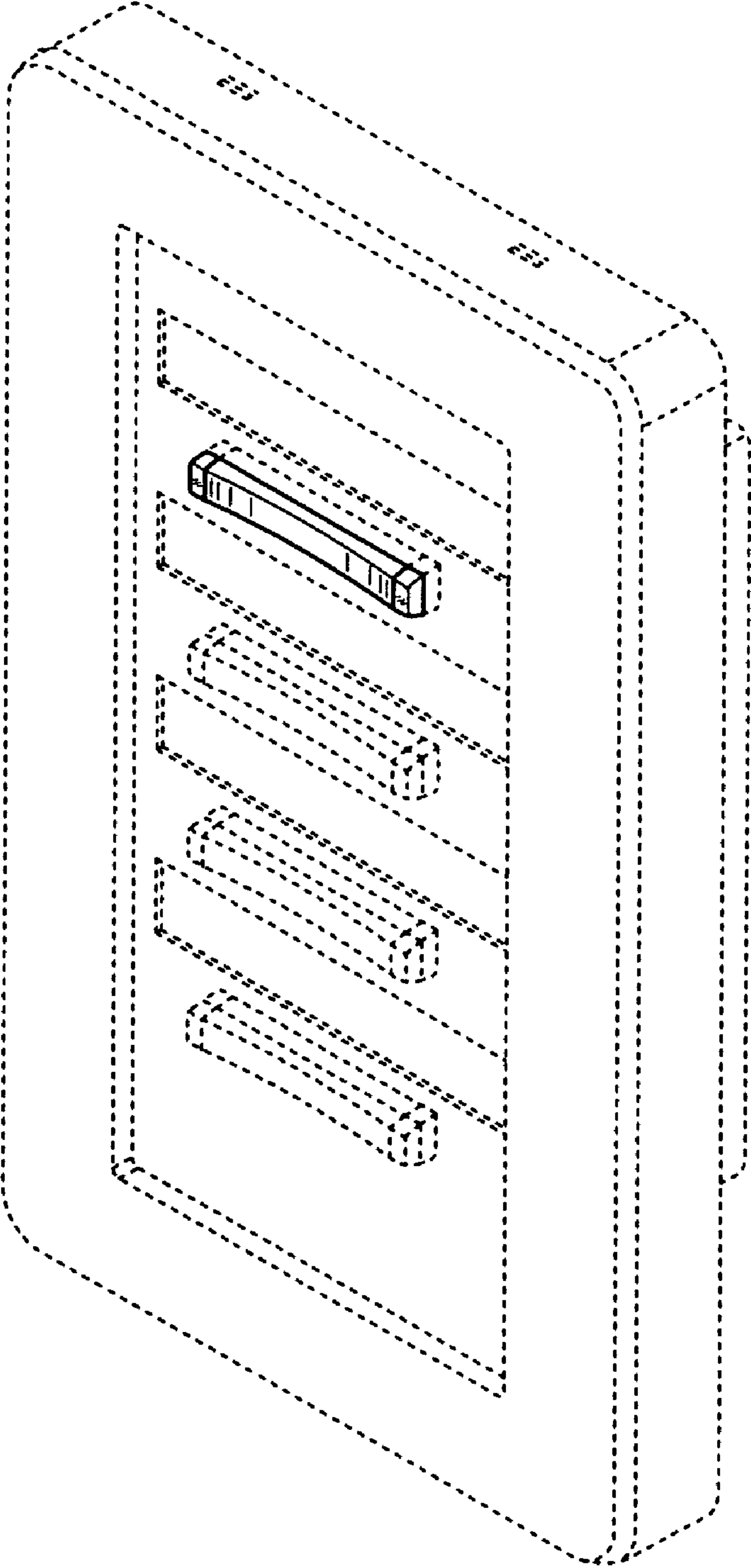


FIG. 1

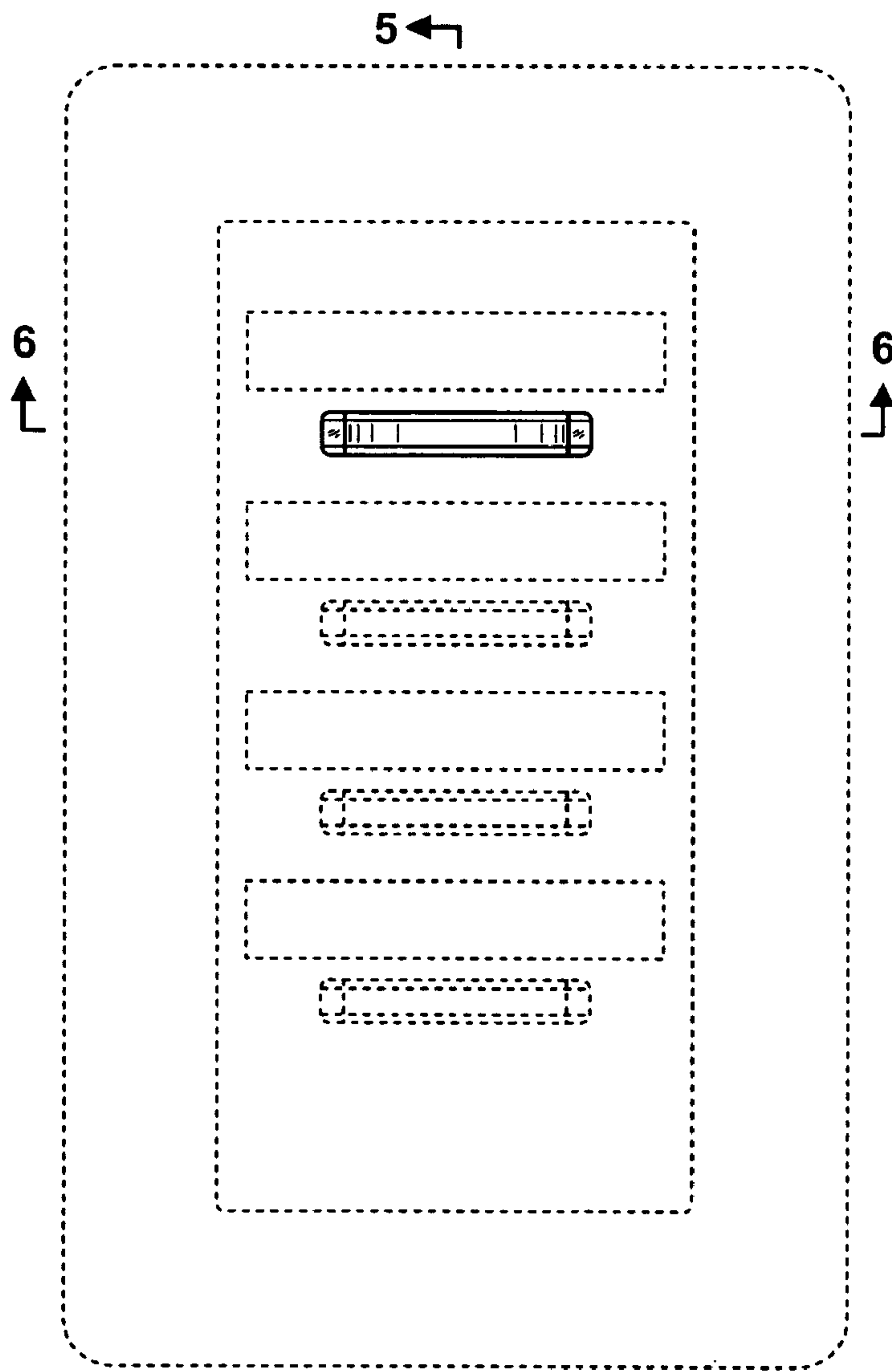


FIG. 2

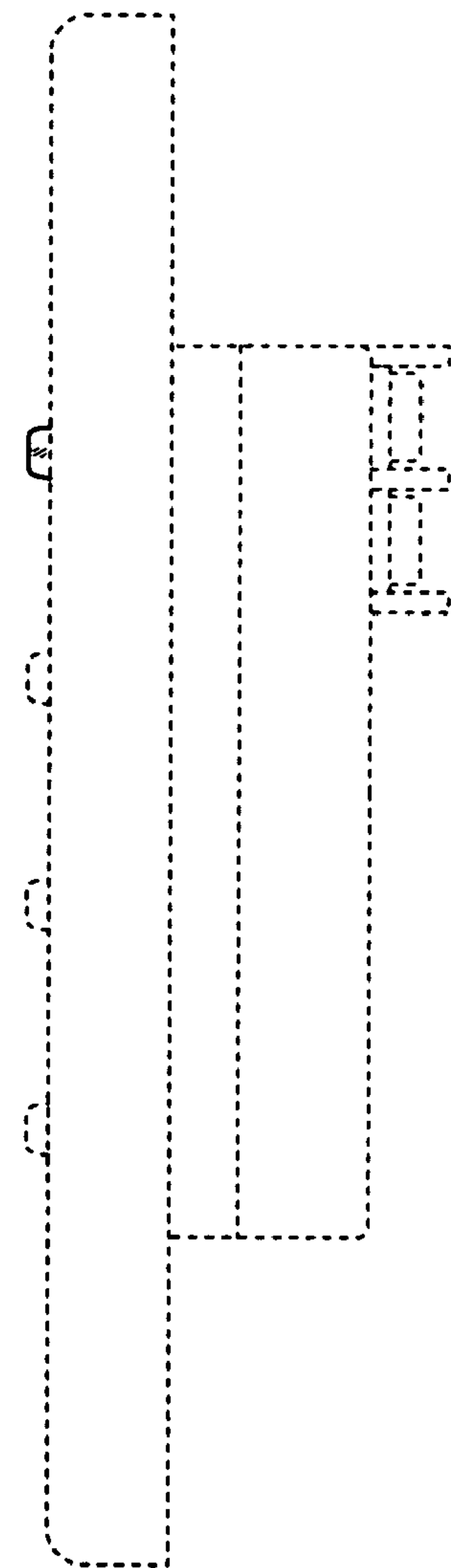


FIG. 3

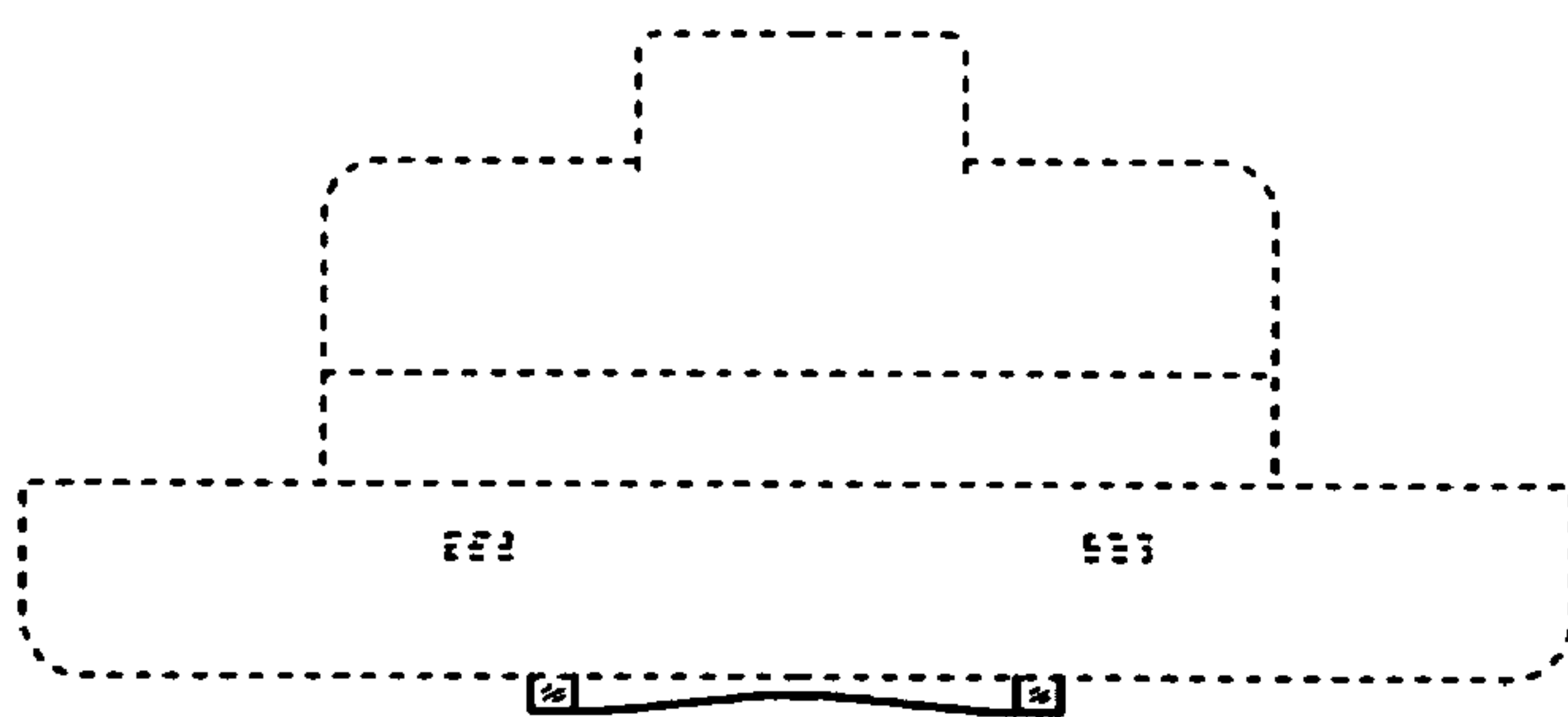


FIG. 4

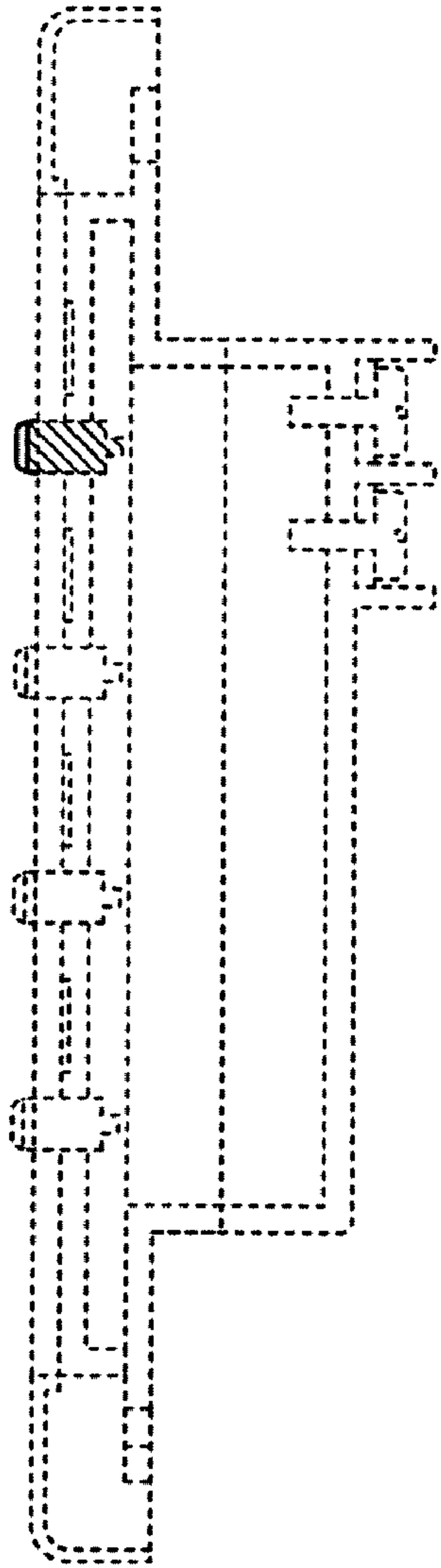


FIG. 5

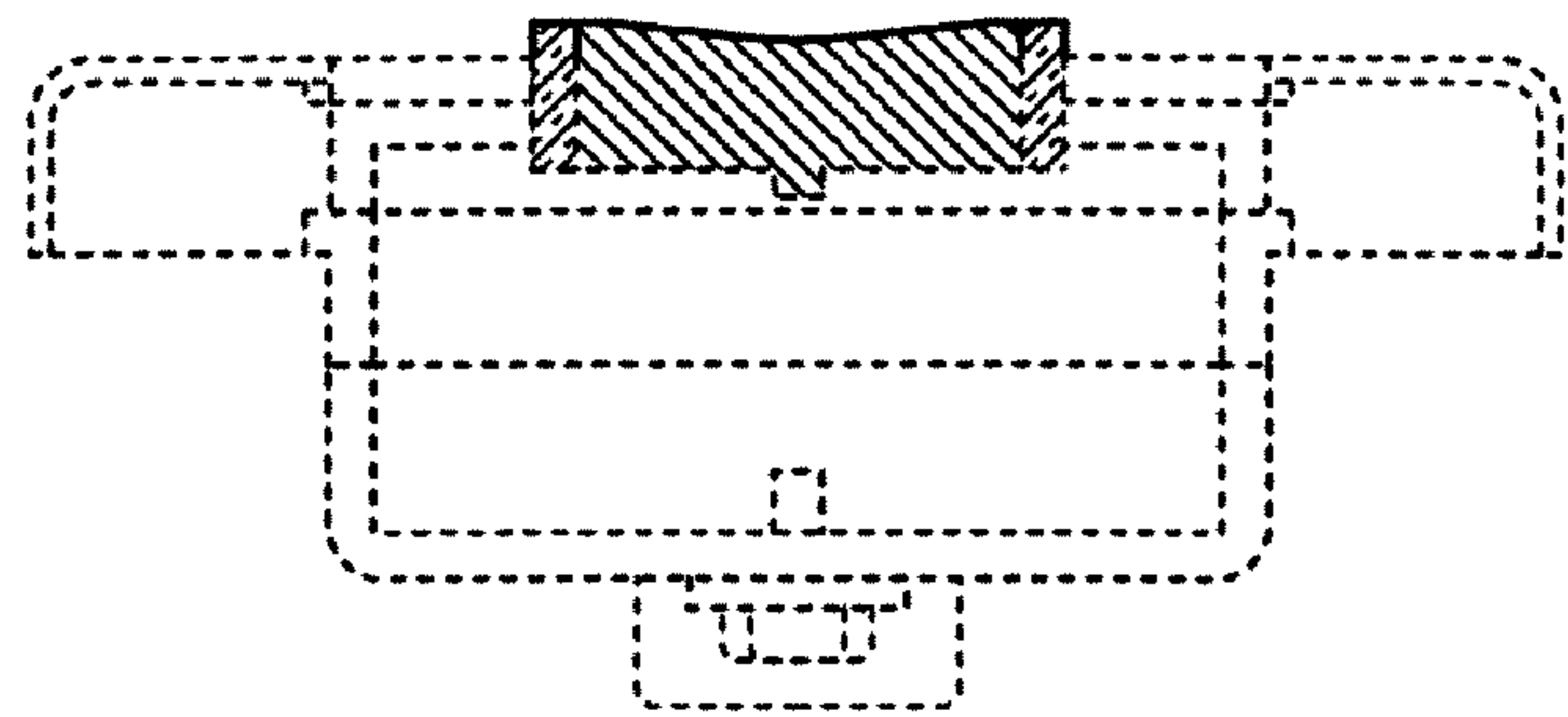


FIG. 6

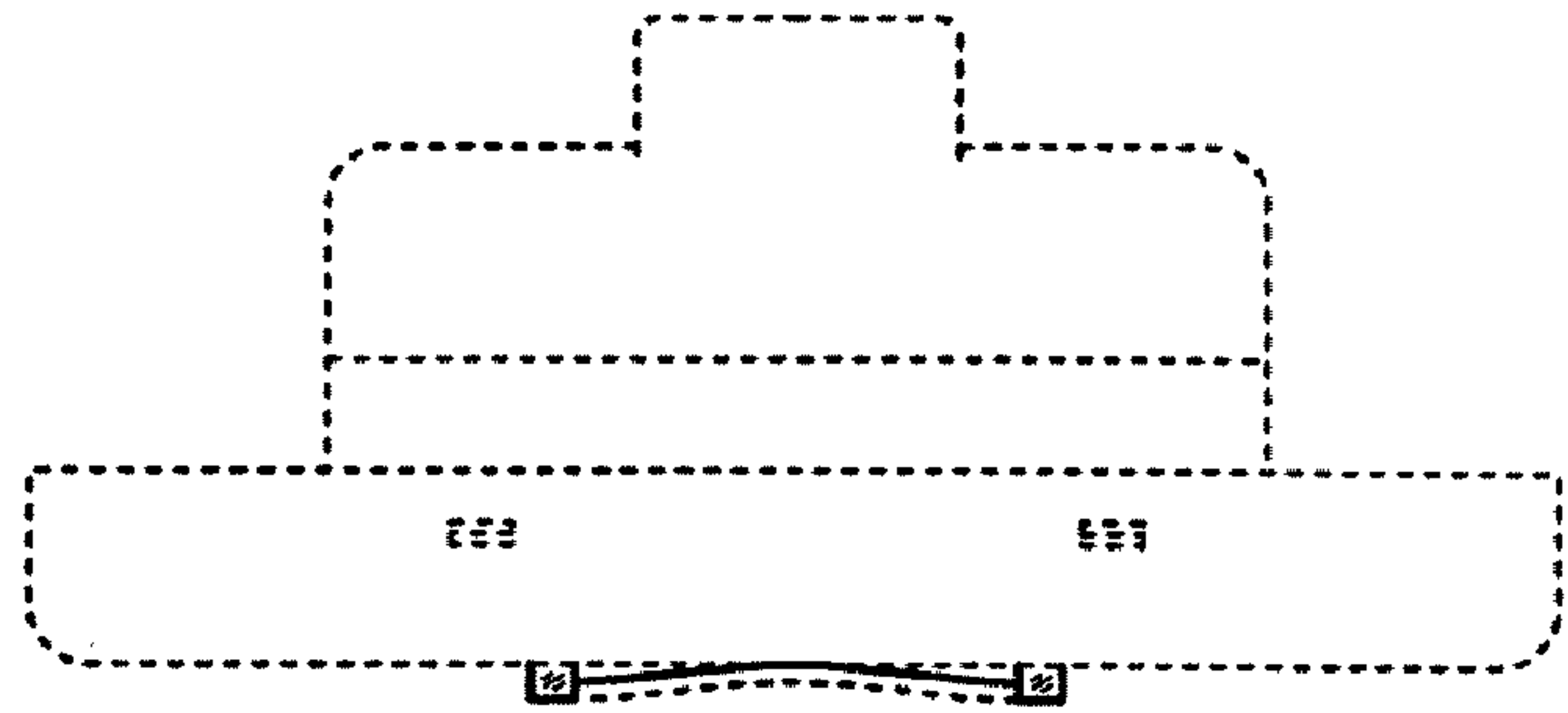


FIG. 7