



US00D595240S

(12) **United States Design Patent**
Busbridge

(10) **Patent No.:** **US D595,240 S**

(45) **Date of Patent:** **** Jun. 30, 2009**

(54) **ELECTRICAL SWITCH KEYPAD**

(76) Inventor: **Gary M. Busbridge**, 61 Baldock Road,
Ingle Farm (AU) SA 5098

(**) Term: **14 Years**

(21) Appl. No.: **29/292,175**

(22) Filed: **Oct. 1, 2007**

(51) **LOC (9) Cl.** **13-03**

(52) **U.S. Cl.** **D13/171; D13/164**

(58) **Field of Classification Search** D13/162,
D13/164, 171; 174/66; 200/5 R, 5 A, 1 B,
200/293, 296, 329, 406, 513, 520, 530, 302.1,
200/302.2, 314, 315, 341, 344; 315/291-296;
338/198-200

See application file for complete search history.

(56) **References Cited**

U.S. PATENT DOCUMENTS

1,230,643	A *	6/1917	Anderson	220/241
D70,241	S *	5/1926	Schwerin	D8/350
3,371,181	A *	2/1968	Van Mastrigt	200/330
D254,849	S *	4/1980	Matsuda	D13/171
D256,012	S *	7/1980	Matsuda	D13/171
D311,371	S *	10/1990	Jacoby	D13/171
5,153,816	A *	10/1992	Griffin	361/832
D335,283	S *	5/1993	Justiniano et al.	D13/171
D337,755	S *	7/1993	Rowen et al.	D13/170
5,637,930	A *	6/1997	Rowen et al.	307/112

6,026,605 A * 2/2000 Tippett 40/725
D553,583 S * 10/2007 Xu D13/164

* cited by examiner

Primary Examiner—Selina Sikder

(57) **CLAIM**

The ornamental design for an electrical switch keypad, as shown and described.

DESCRIPTION

FIG. 1 is an end view of an electrical switch keypad according to the present invention, this view being common to all of the embodiments.

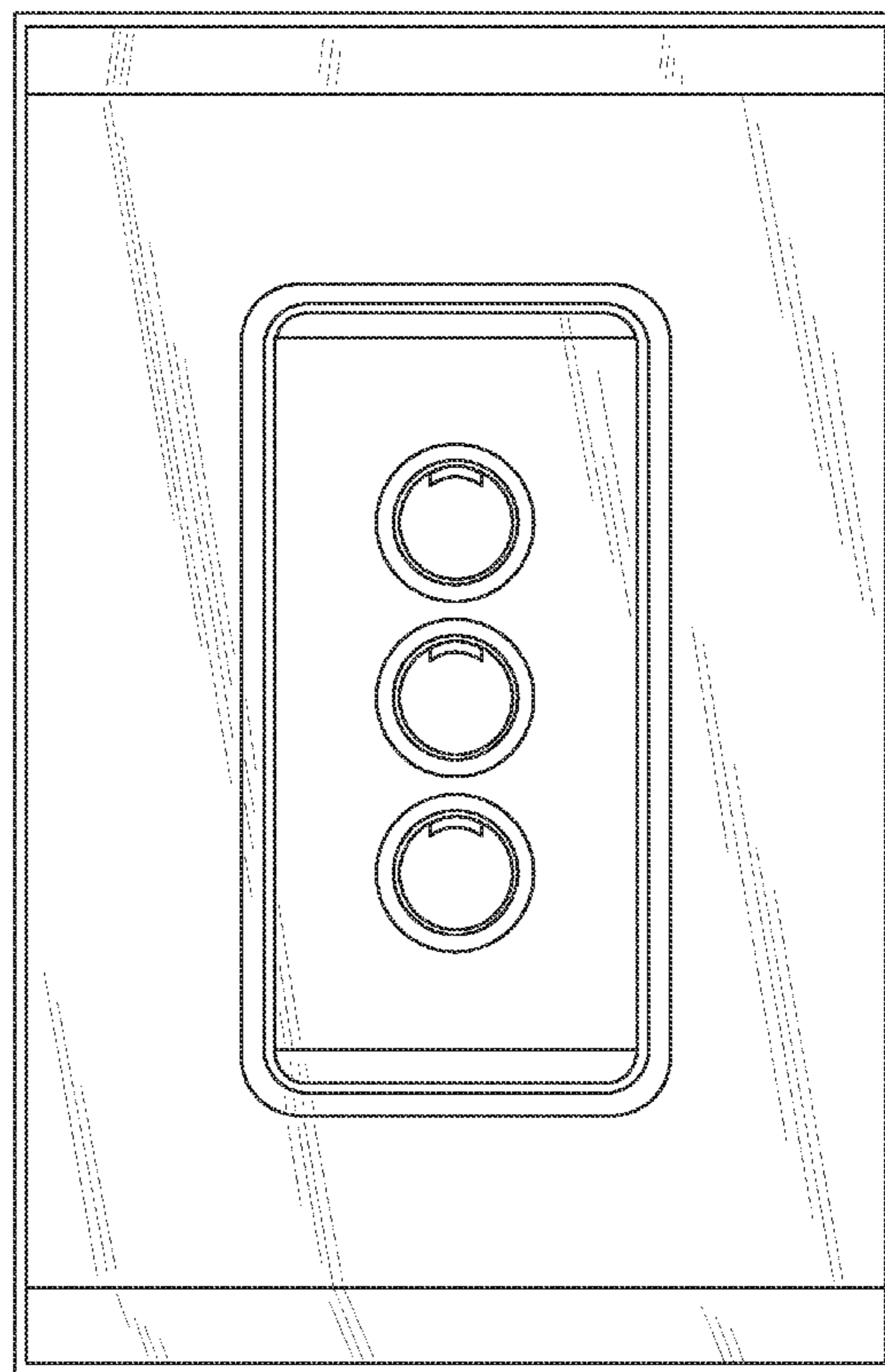
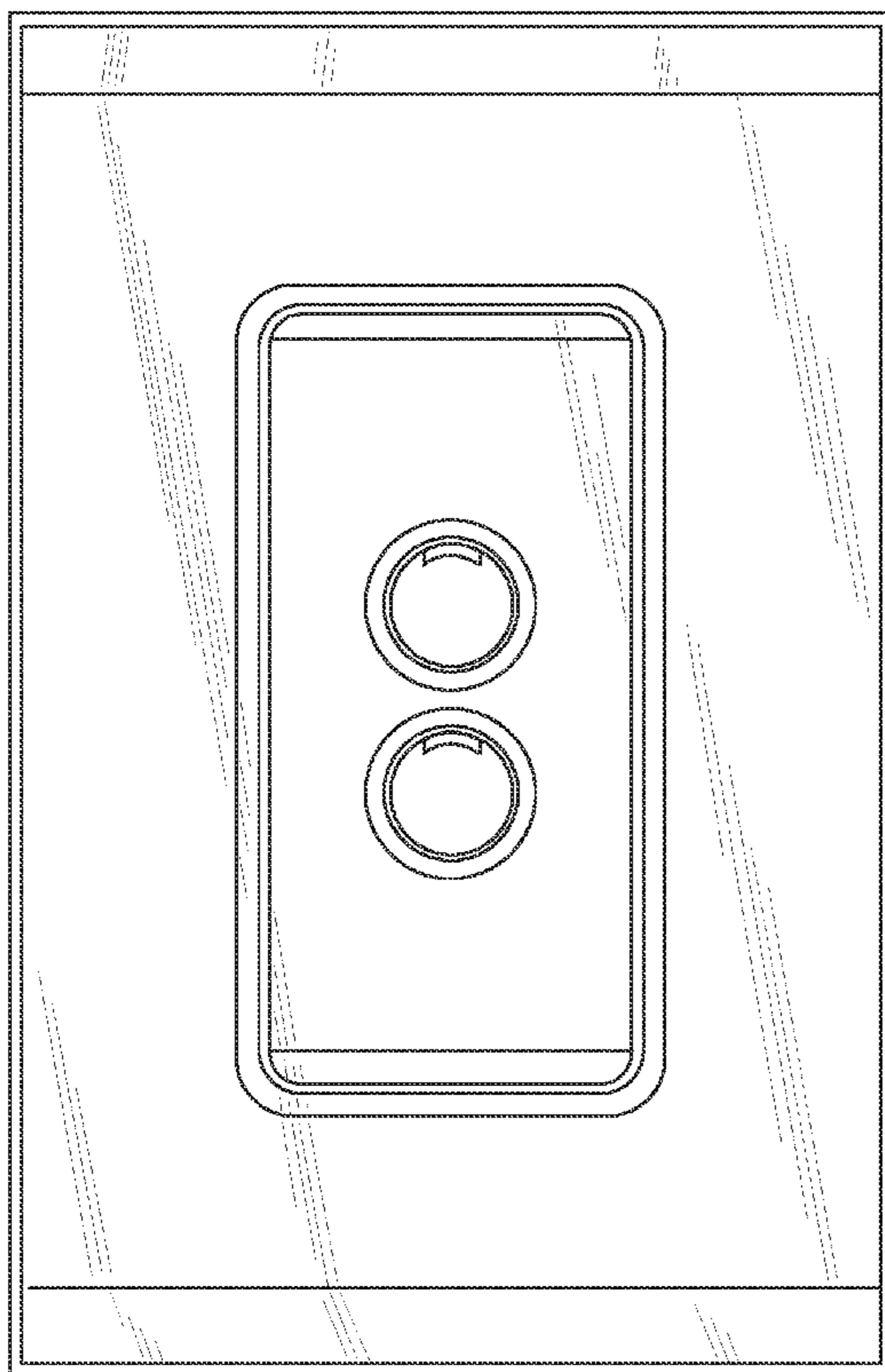
FIGS. 2-4 are front, right side, and perspective views respectively of a first embodiment of the electrical switch keypad showing our new design.

FIGS. 5-7 are front, right side, and perspective views respectively of a second embodiment of the electrical switch keypad; and,

FIGS. 8-10 are front, right side, and perspective views respectively of a third embodiment of the electrical switch keypad.

For each embodiment the left side view is a mirror image of the illustrated right side view. The broken lines in each perspective view show surfaces seen through the translucent top surfaces of the keypad.

1 Claim, 6 Drawing Sheets



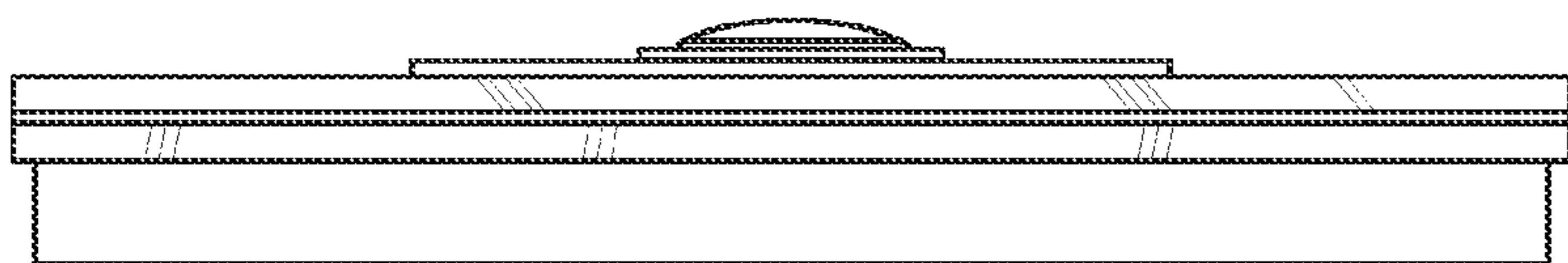


FIG. 1

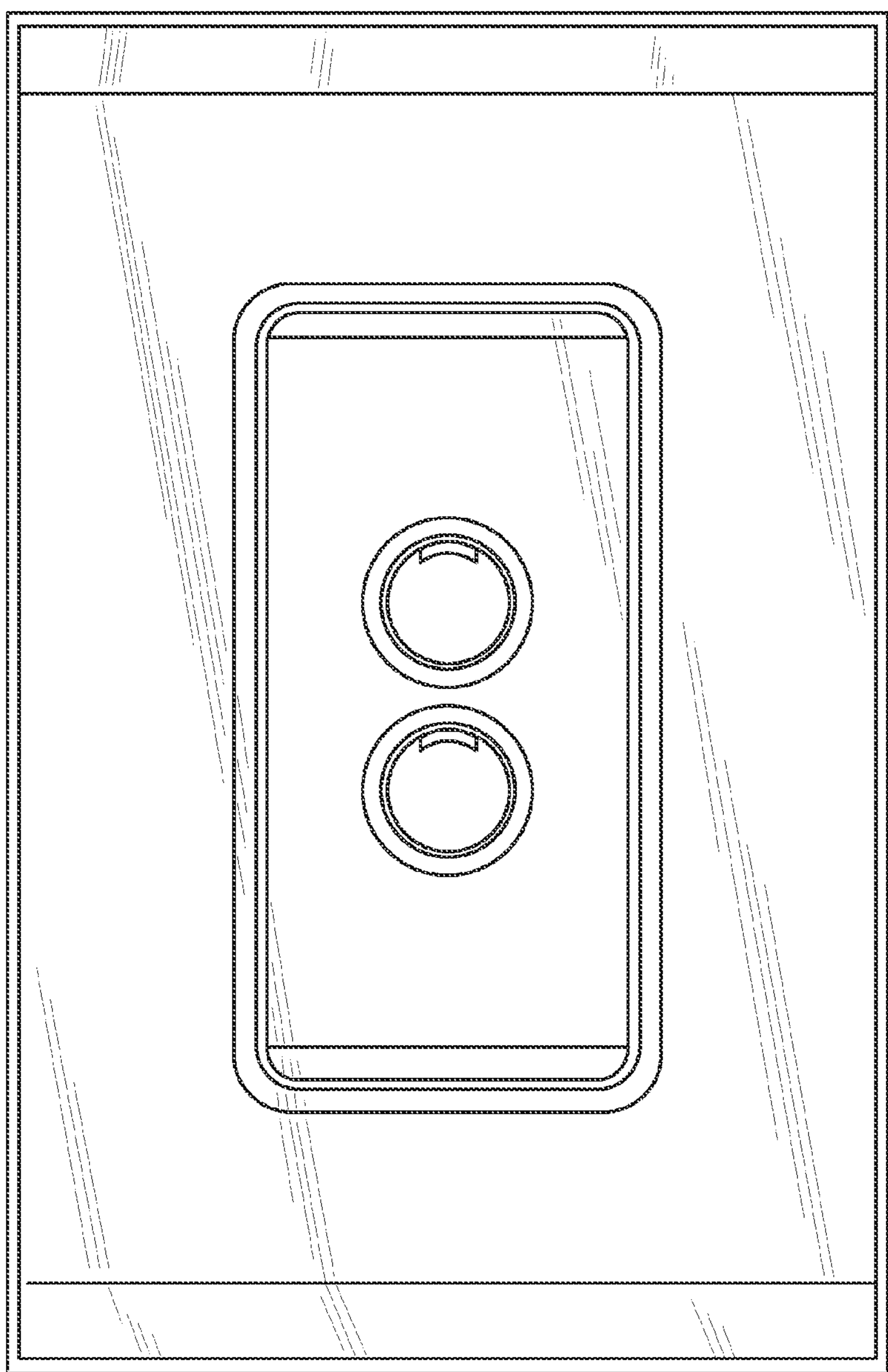


FIG. 2

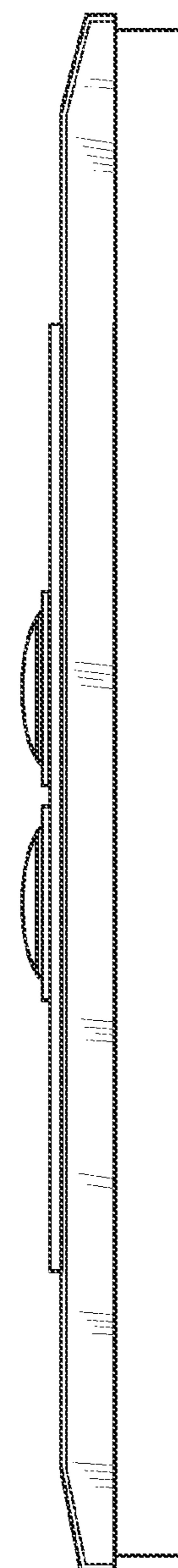


FIG. 3

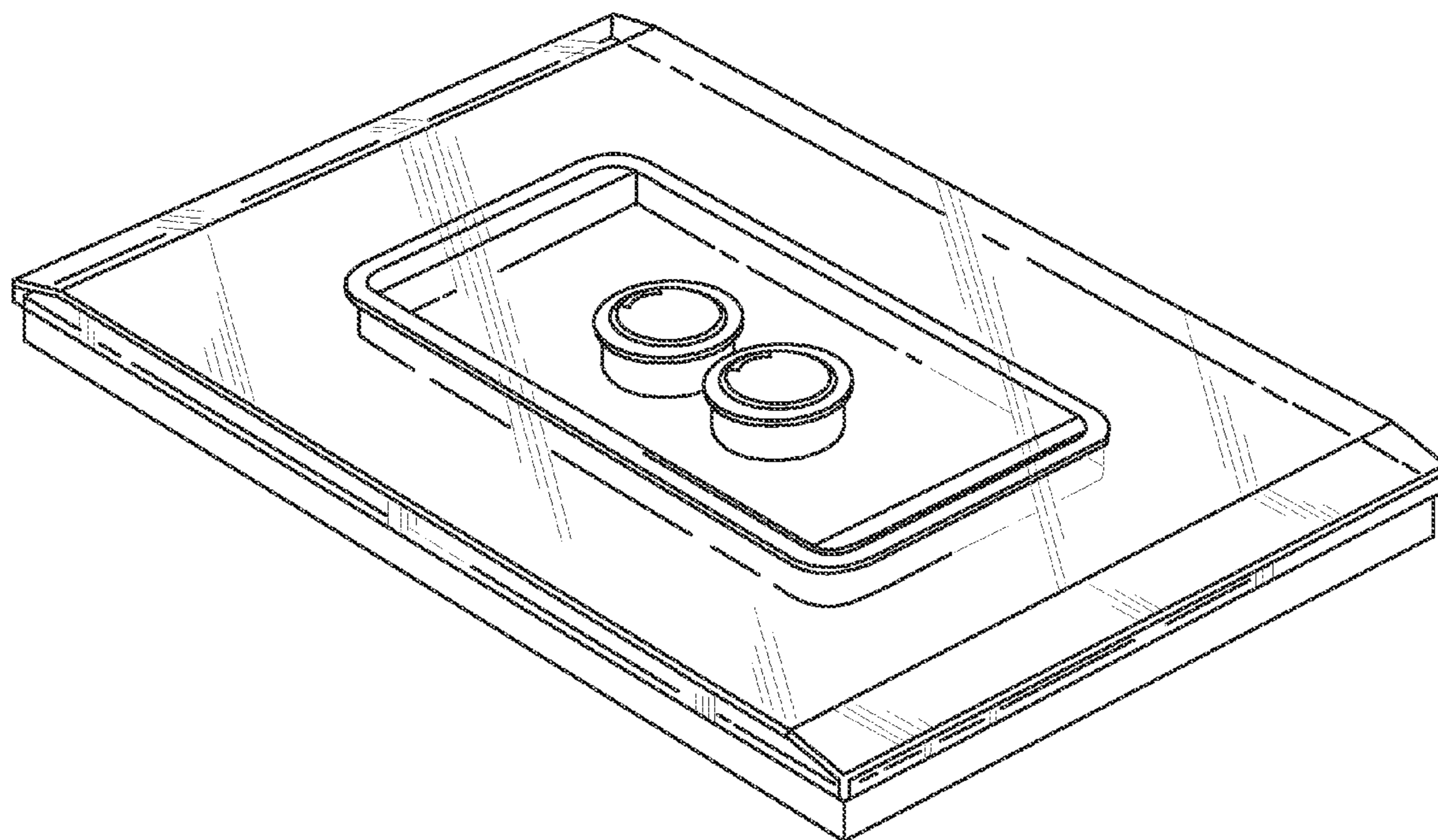


FIG. 4

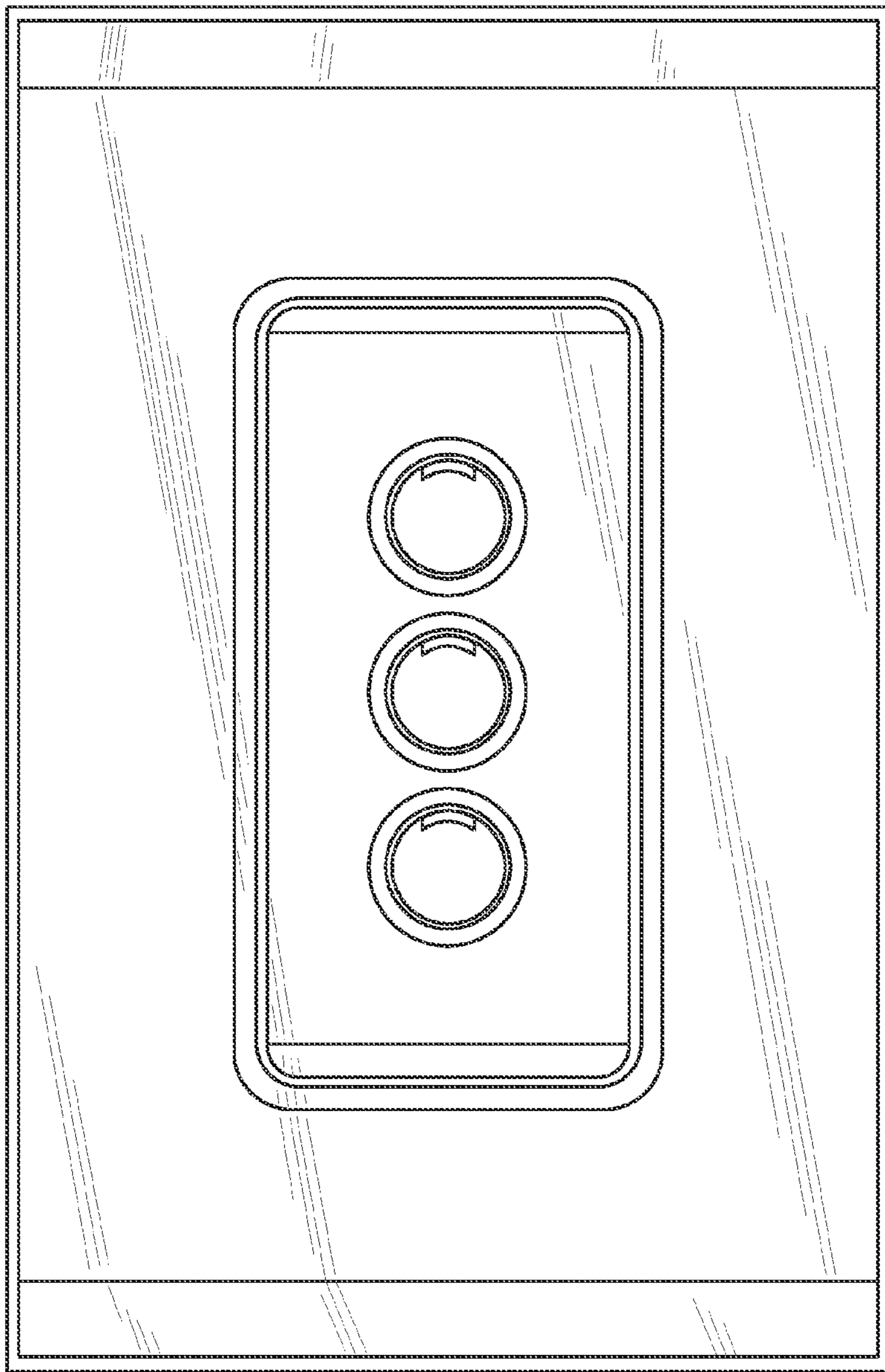


FIG. 5

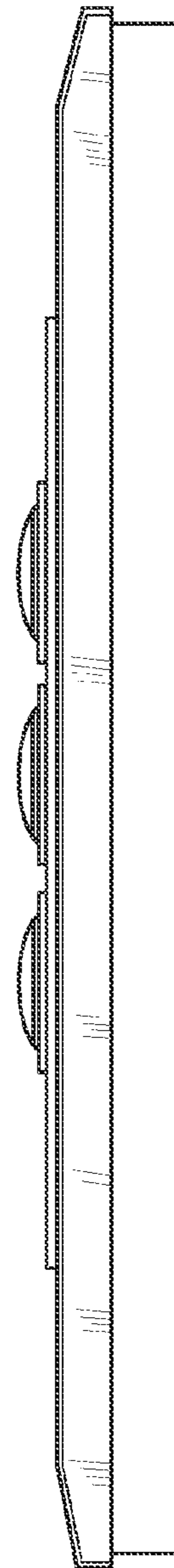


FIG. 6

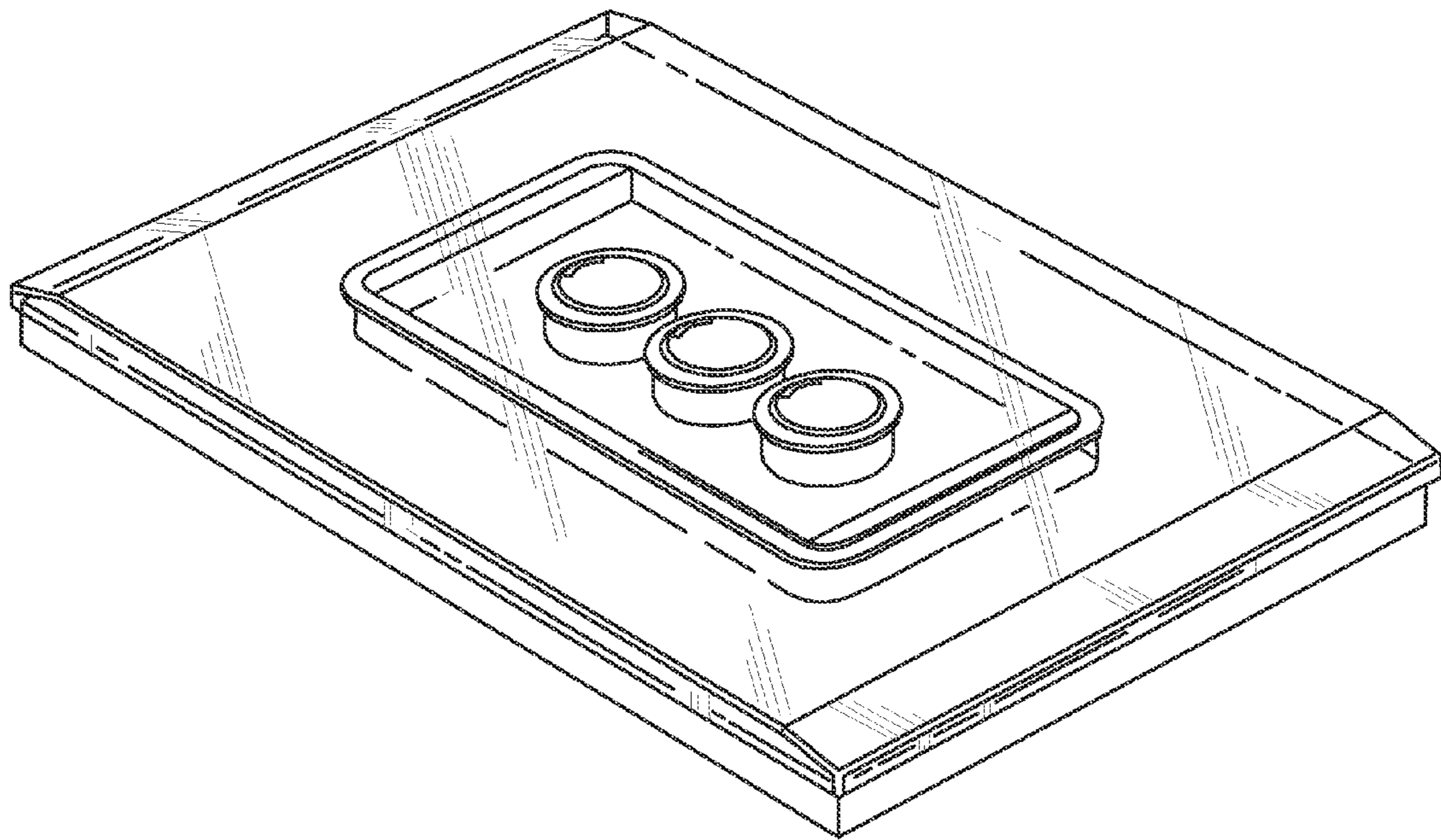


FIG. 7

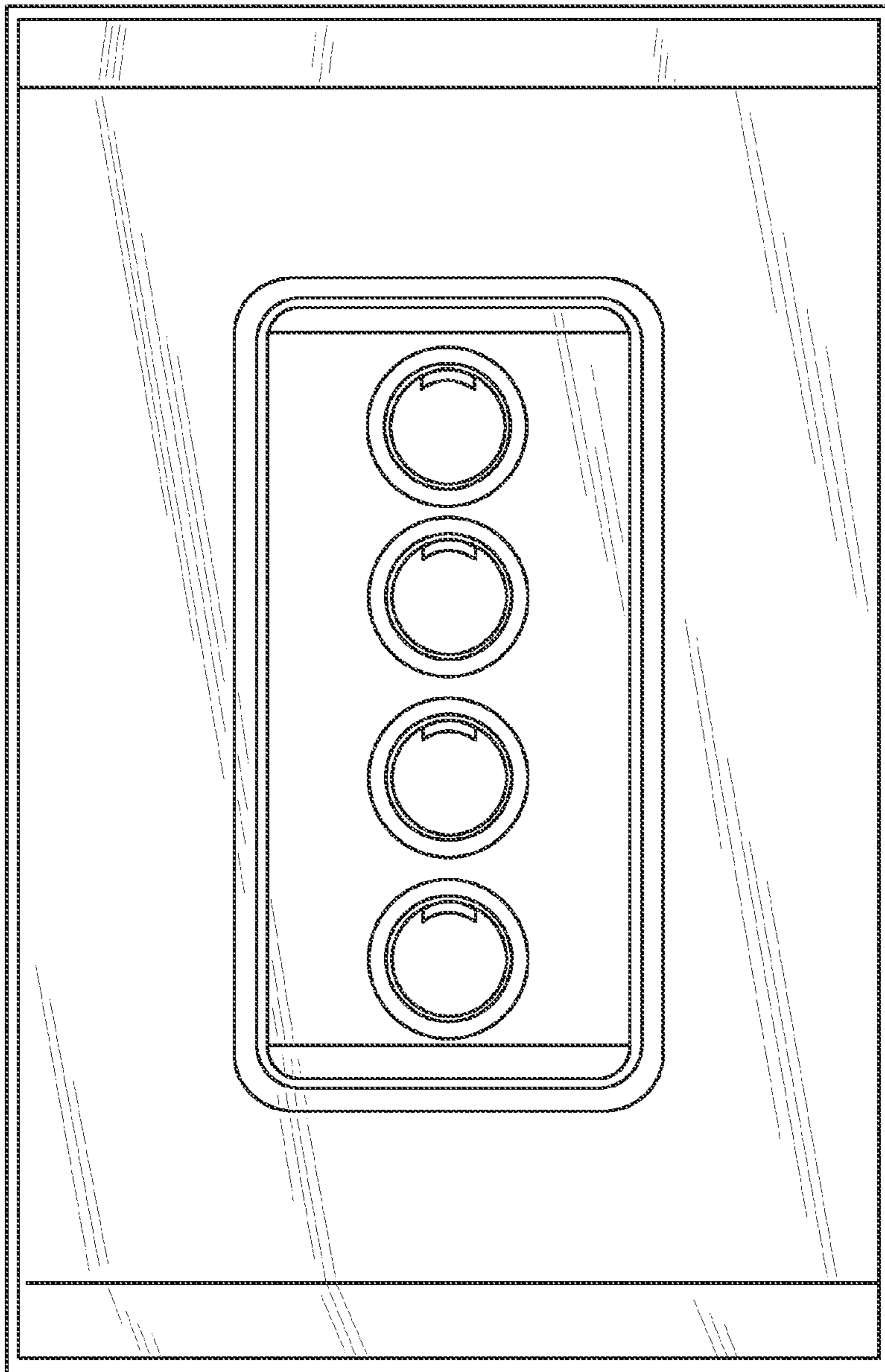


FIG. 8

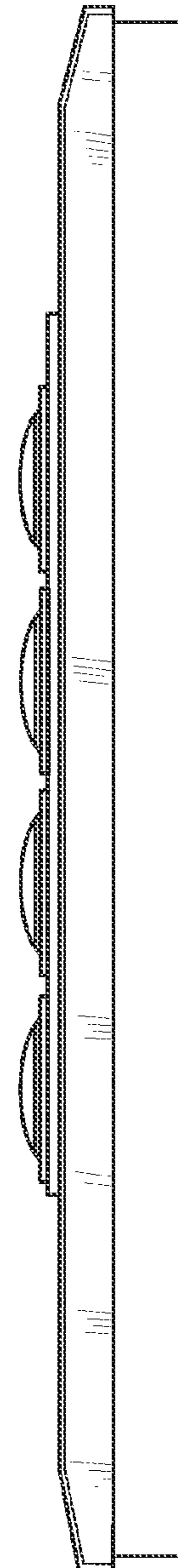


FIG. 9

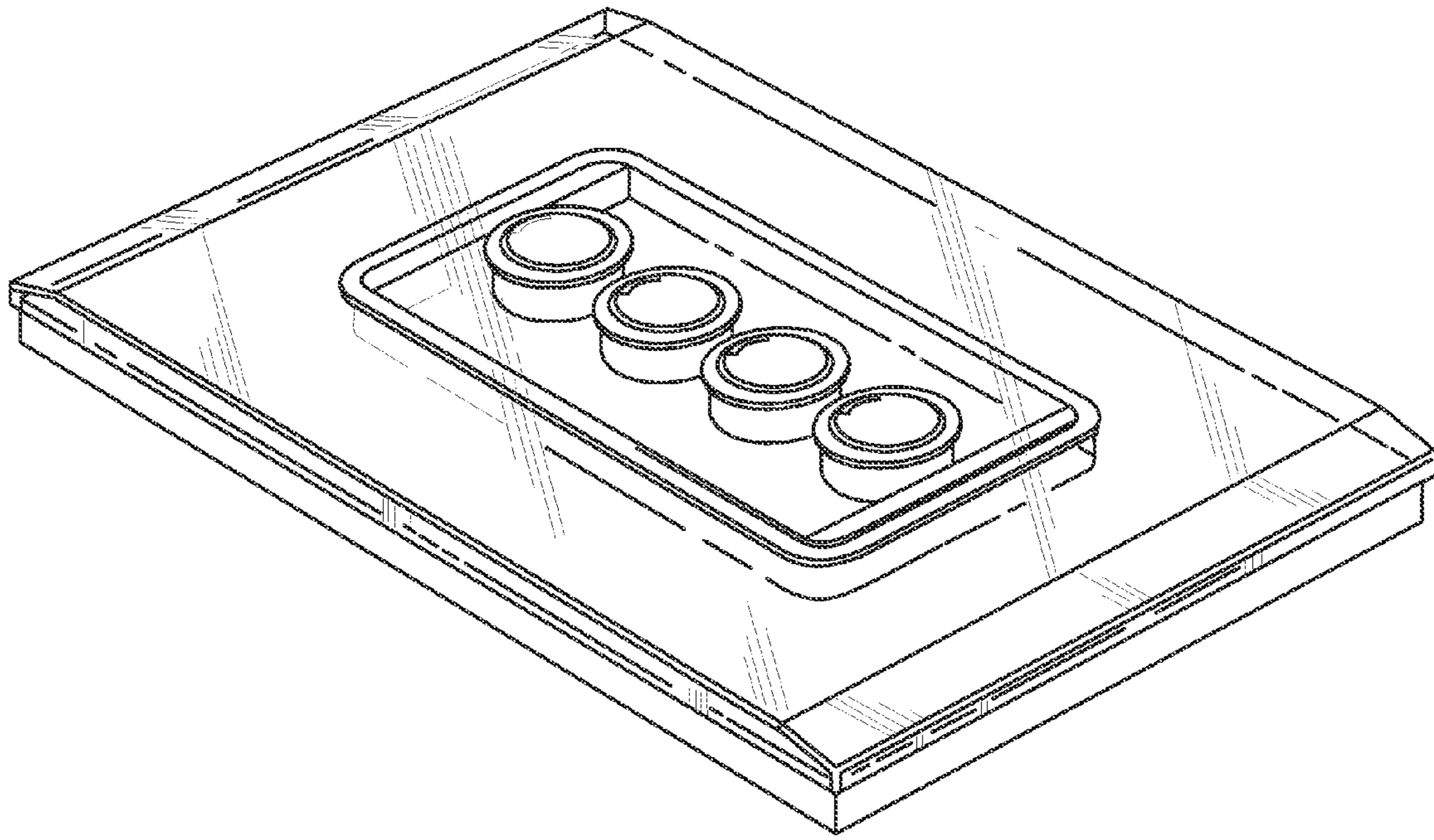


FIG. 10