



US00D595238S

(12) **United States Design Patent**
Vigorito et al.

(10) **Patent No.:** **US D595,238 S**
(45) **Date of Patent:** **** Jun. 30, 2009**

(54) **LIFT COVER AND GASKET ASSEMBLY FOR ELECTRICAL CONNECTOR**

(75) Inventors: **Thomas J. Vigorito**, Black Rock, CT (US); **Thomas W. Bracci**, Trumbull, CT (US)

(73) Assignee: **Hubbell Incorporated**, Orange, CT (US)

(**) Term: **14 Years**

(21) Appl. No.: **29/306,994**

(22) Filed: **Apr. 21, 2008**

(51) **LOC (9) Cl.** **13-03**

(52) **U.S. Cl.** **D13/156**

(58) **Field of Classification Search** D13/133, D13/154, 156, 184; 174/66, 67; 439/142, 439/144, 146, 147, 892, 894

See application file for complete search history.

(56) **References Cited**

U.S. PATENT DOCUMENTS

1,455,399 A 5/1923 Keavaney

(Continued)

Primary Examiner—Brian N Vinson

(74) *Attorney, Agent, or Firm*—Garrett V. David; Mark S. Bicks; Alfred N. Goodman

(57) **CLAIM**

The ornamental design for a life cover and gasket assembly for electrical connector, as shown and described.

DESCRIPTION

FIG. 1 is a perspective view of the lift cover and gasket assembly for an electrical connector assembly in accordance with an embodiment of the present invention showing the gasket connected to the lift cover;

FIG. 2 is a front elevational view of the lift cover and gasket assembly of FIG. 1;

FIG. 3 is a left side elevational view of the lift cover and gasket assembly of FIG. 1;

FIG. 4 is a rear side elevational view of the lift cover and gasket assembly of FIG. 1;

FIG. 5 is a right side elevational view of the lift cover and gasket assembly of FIG. 1;

FIG. 6 is a top plan view of the lift cover and gasket assembly of FIG. 1 showing the cover in the closed position;

FIG. 7 is a bottom view of the lift cover and gasket assembly of FIG. 1;

FIG. 8 is a top view of the lift cover and gasket assembly of FIG. 1 showing the cover in the open position;

FIG. 9 is an exploded perspective view of a lift cover and gasket assembly of FIG. 1 showing the lift cover in the open position;

FIG. 10 is a front elevational view of the lift cover of FIG. 1;

FIG. 11 is a left side elevational view of the lift cover of FIG. 1;

FIG. 12 is a rear elevational view of the lift cover of FIG. 1;

FIG. 13 is a right side end view of the lift cover of FIG. 1;

FIG. 14 is a top plan view of the cover of FIG. 1;

FIG. 15 is a bottom view of the lift cover of FIG. 1;

FIG. 16 is a perspective view of the gasket of FIG. 1;

FIG. 17 is a front elevational view of the gasket of FIG. 1;

FIG. 18 is a left side view of the gasket of FIG. 1;

FIG. 19 is a rear elevational view of the gasket of FIG. 1;

FIG. 20 is a right side view of the second electrical connector of FIG. 1;

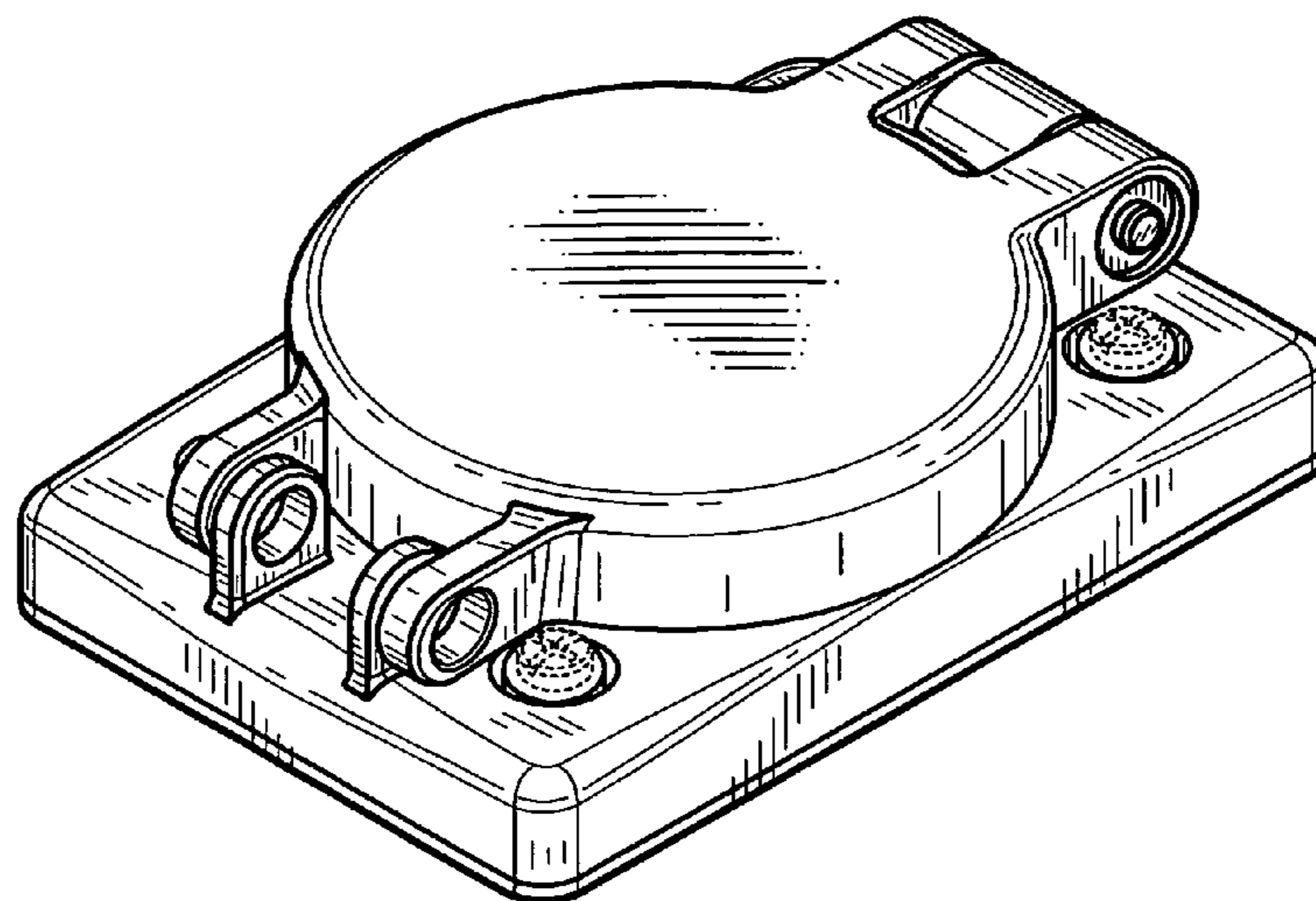
FIG. 21 is a top plan view of the gasket of FIG. 1;

FIG. 22 is a bottom view of the gasket of FIG. 1; and,

FIG. 23 is a cross-sectional view taken along line 23—23 of FIG. 7 of the lift cover and gasket assembly showing the gasket coupled to the cover.

The broken-line disclosure in the views is understood to represent unclaimed subject matter, which forms no part of the claimed design.

1 Claim, 7 Drawing Sheets



US D595,238 S

Page 2

U.S. PATENT DOCUMENTS					
3,288,910	A	11/1966 Zerwes	6,179,634	B1	1/2001 Hull
3,392,228	A	7/1968 Zerwes	6,554,626	B2 *	4/2003 Ramos, Jr. 439/144
4,138,187	A	2/1979 Brygger	6,858,802	B2	2/2005 Hagarty
4,349,236	A	9/1982 Guelden	D534,130	S *	12/2006 Park D13/156
4,484,021	A	11/1984 Schaefer	D534,499	S *	1/2007 Park D13/156
5,571,023	A *	11/1996 Anthony 439/142	7,192,302	B2	3/2007 Phung
5,588,853	A	12/1996 Anthony	D581,368	S *	11/2008 Cummings et al. D13/158
			2006/0037773	A1	2/2006 Castaldo

* cited by examiner

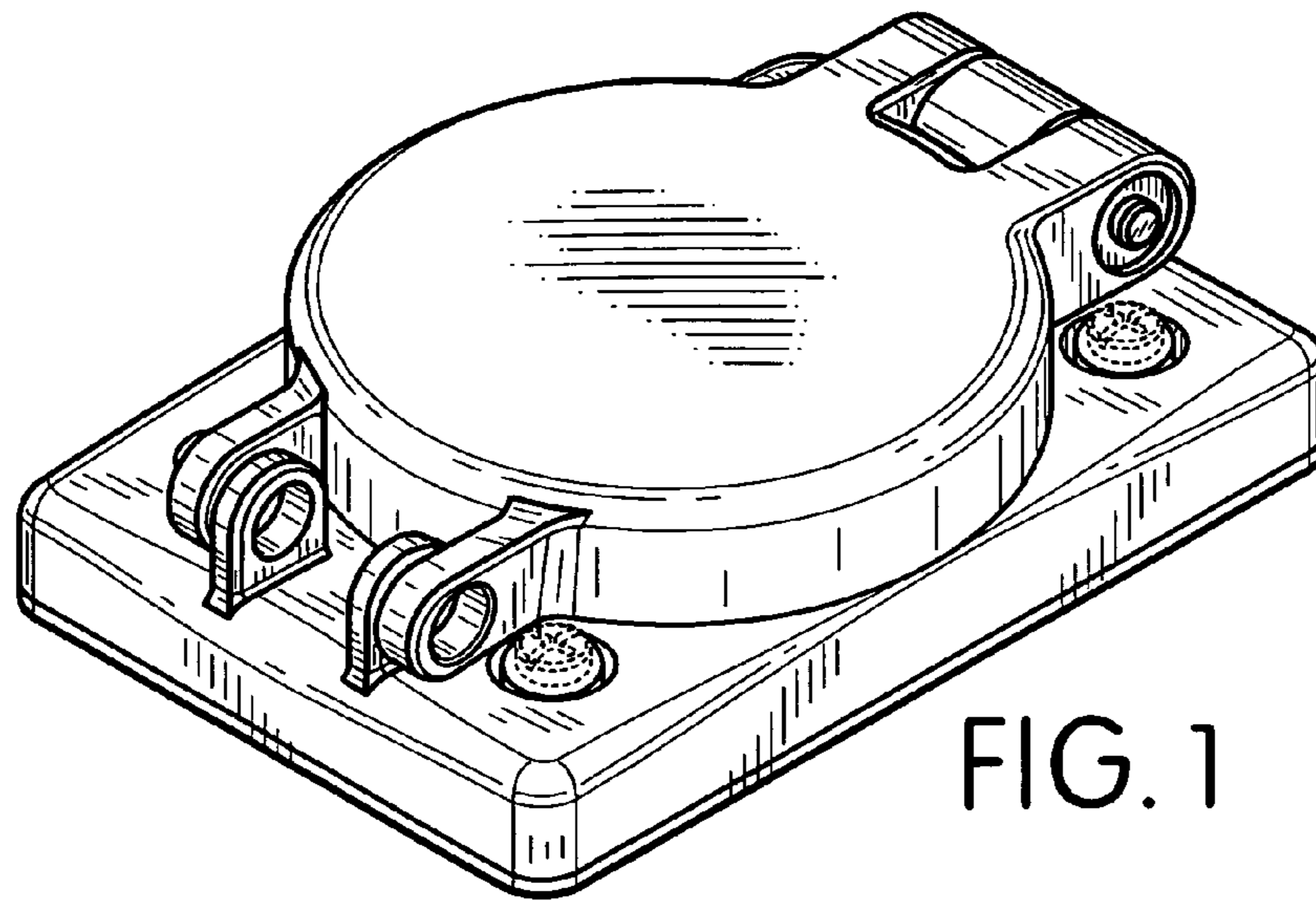


FIG. 2

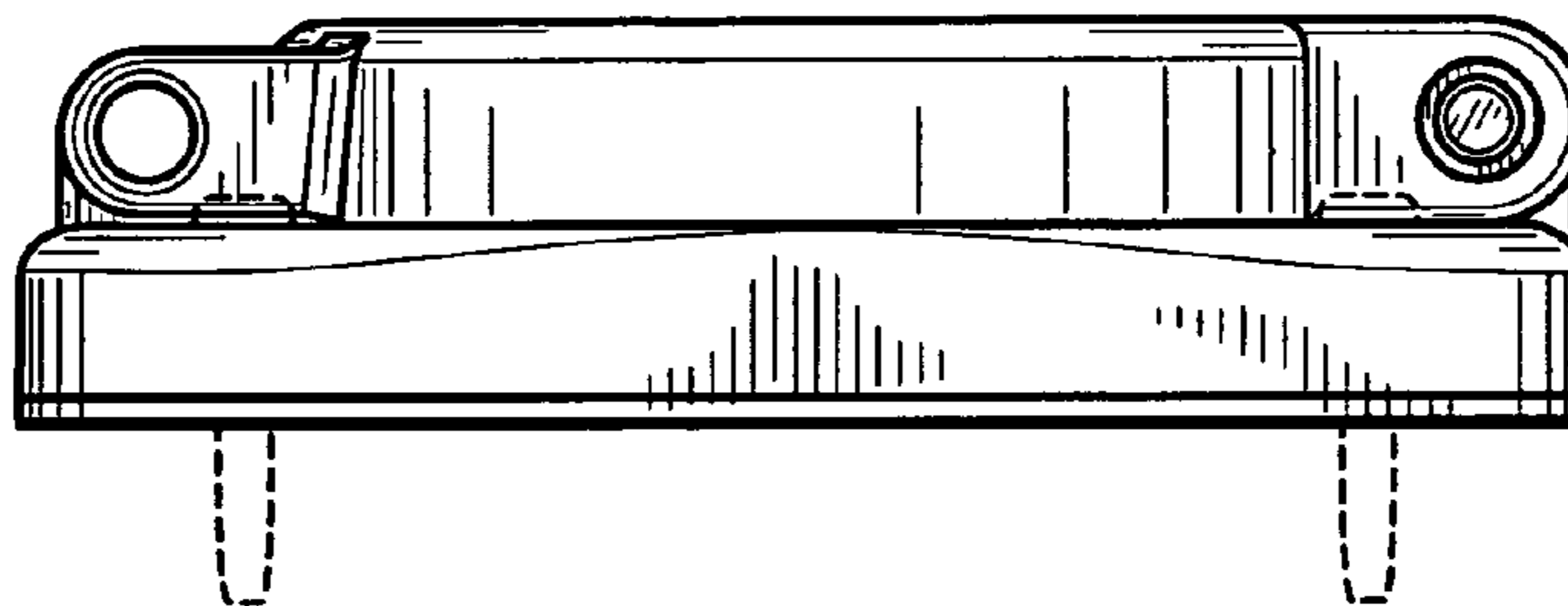


FIG. 3

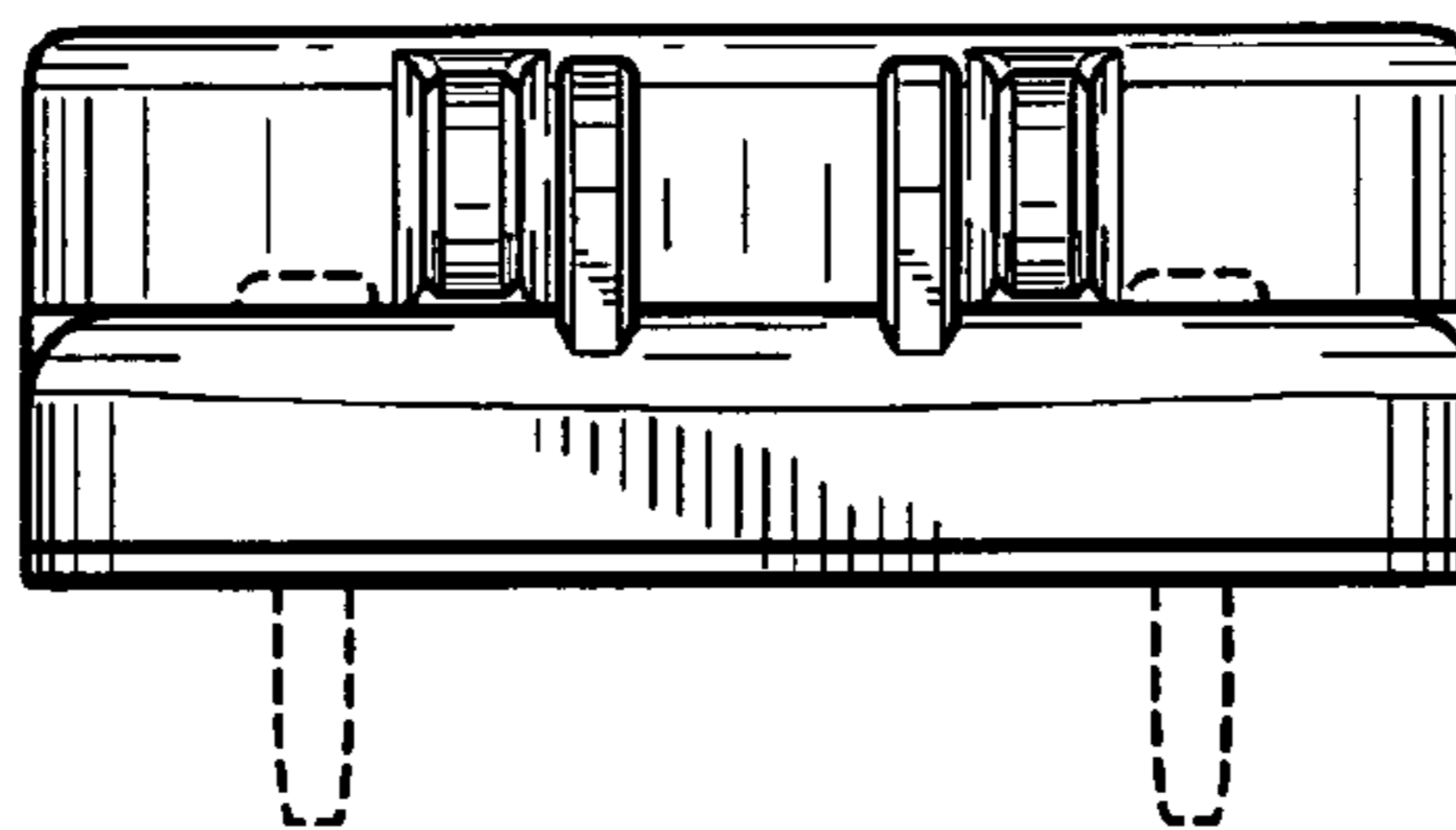


FIG. 4

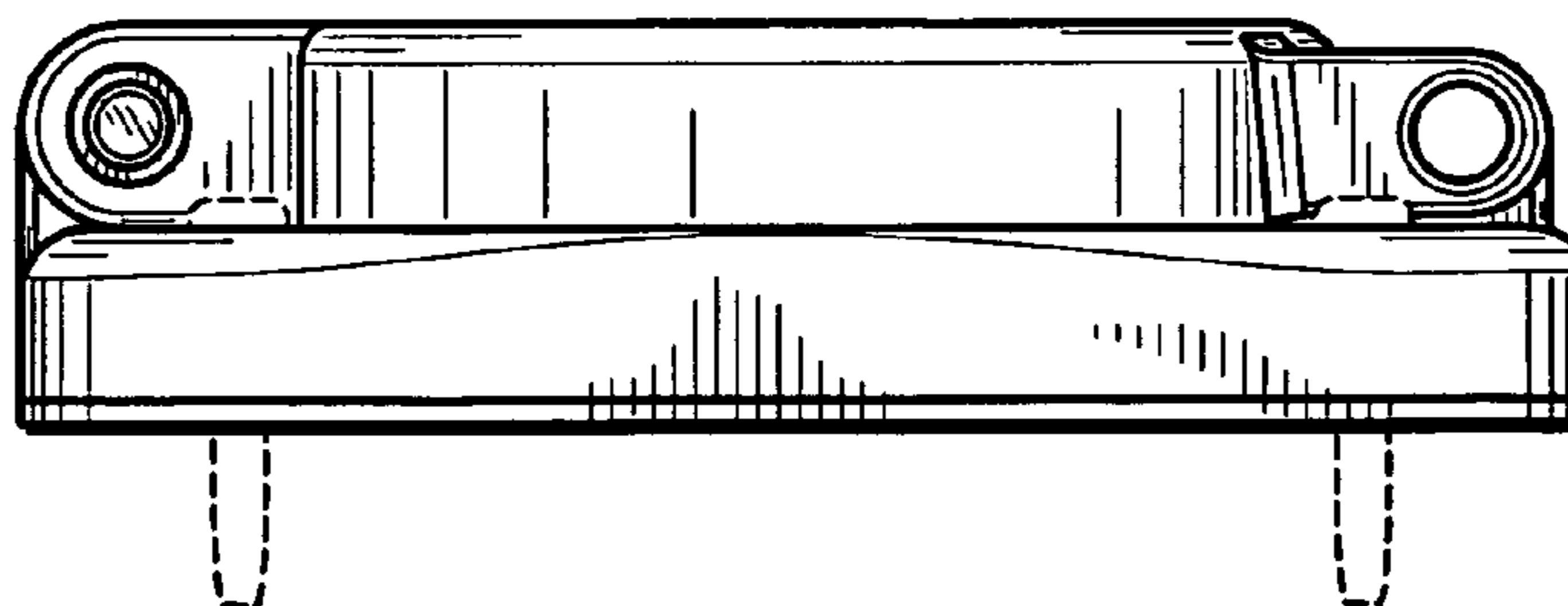
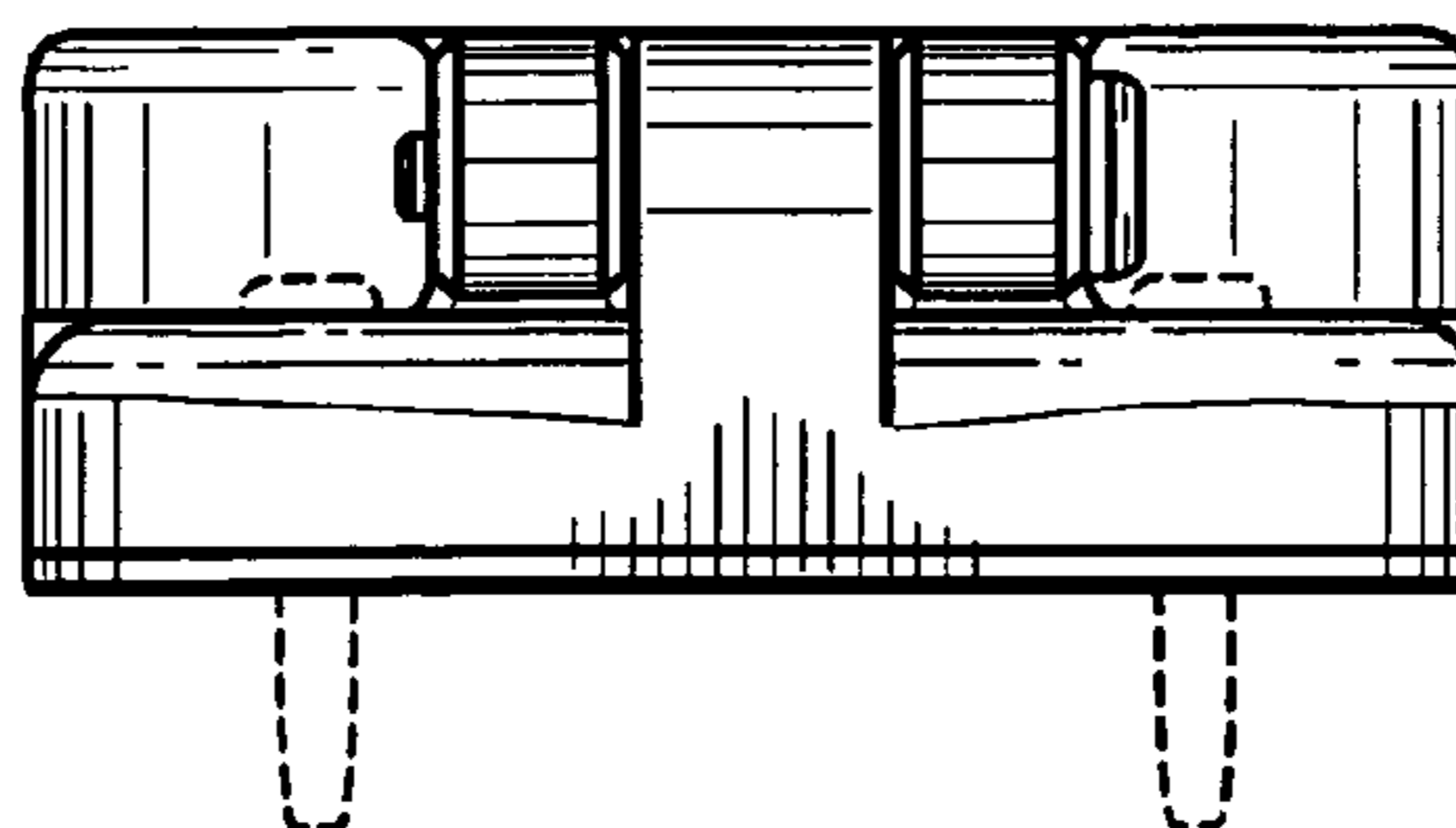


FIG. 5



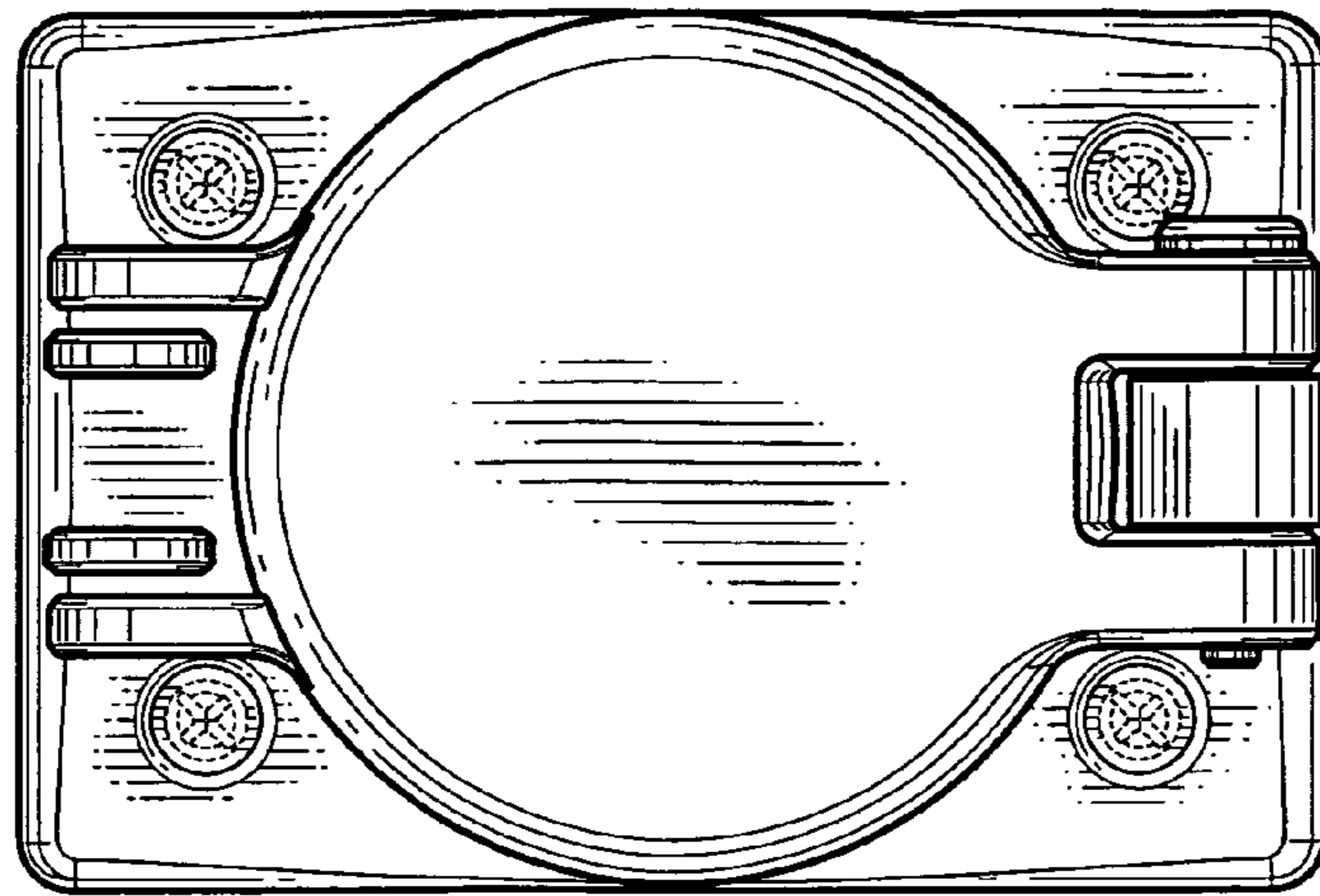


FIG. 6

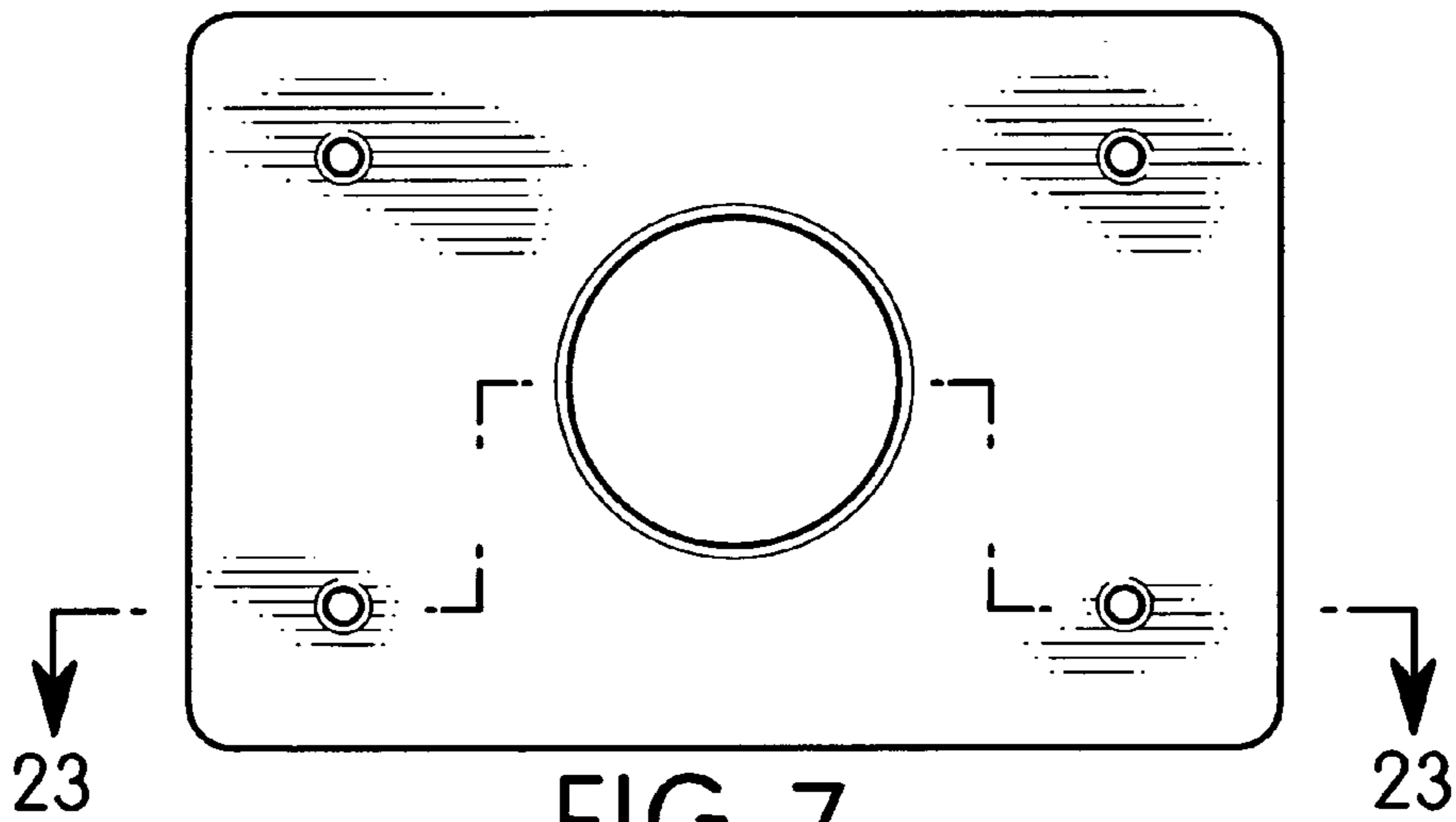


FIG. 7

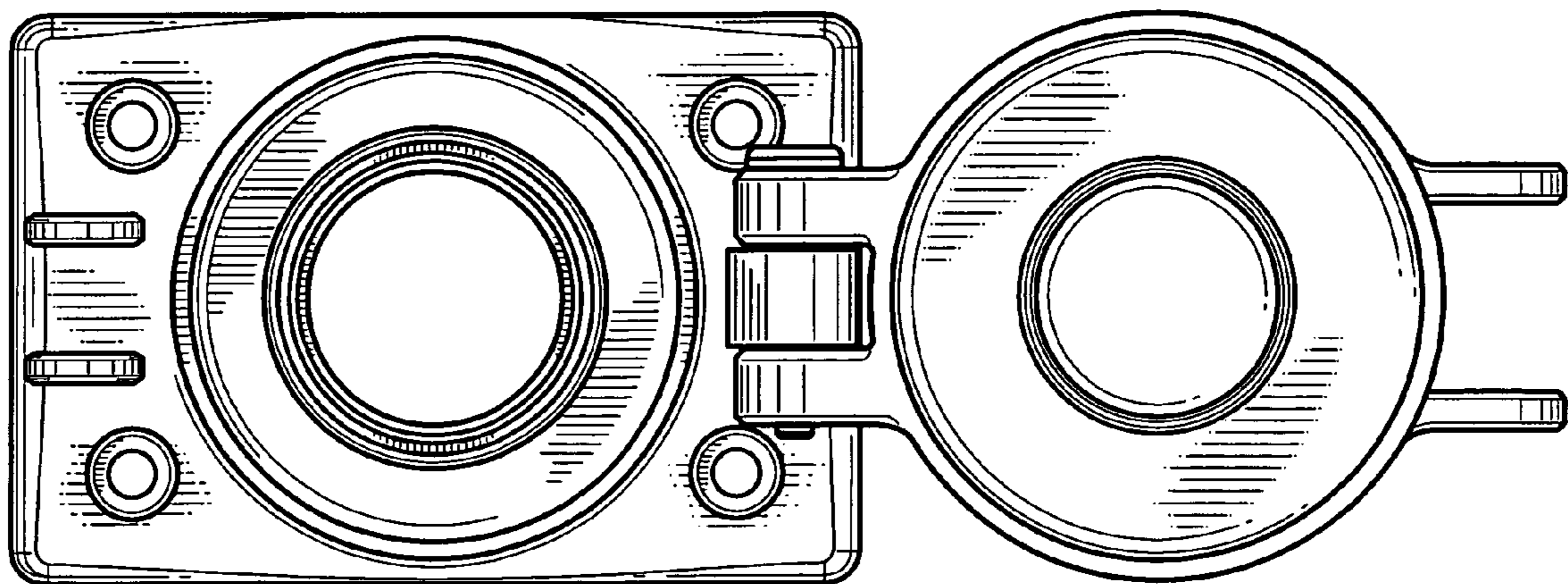


FIG. 8

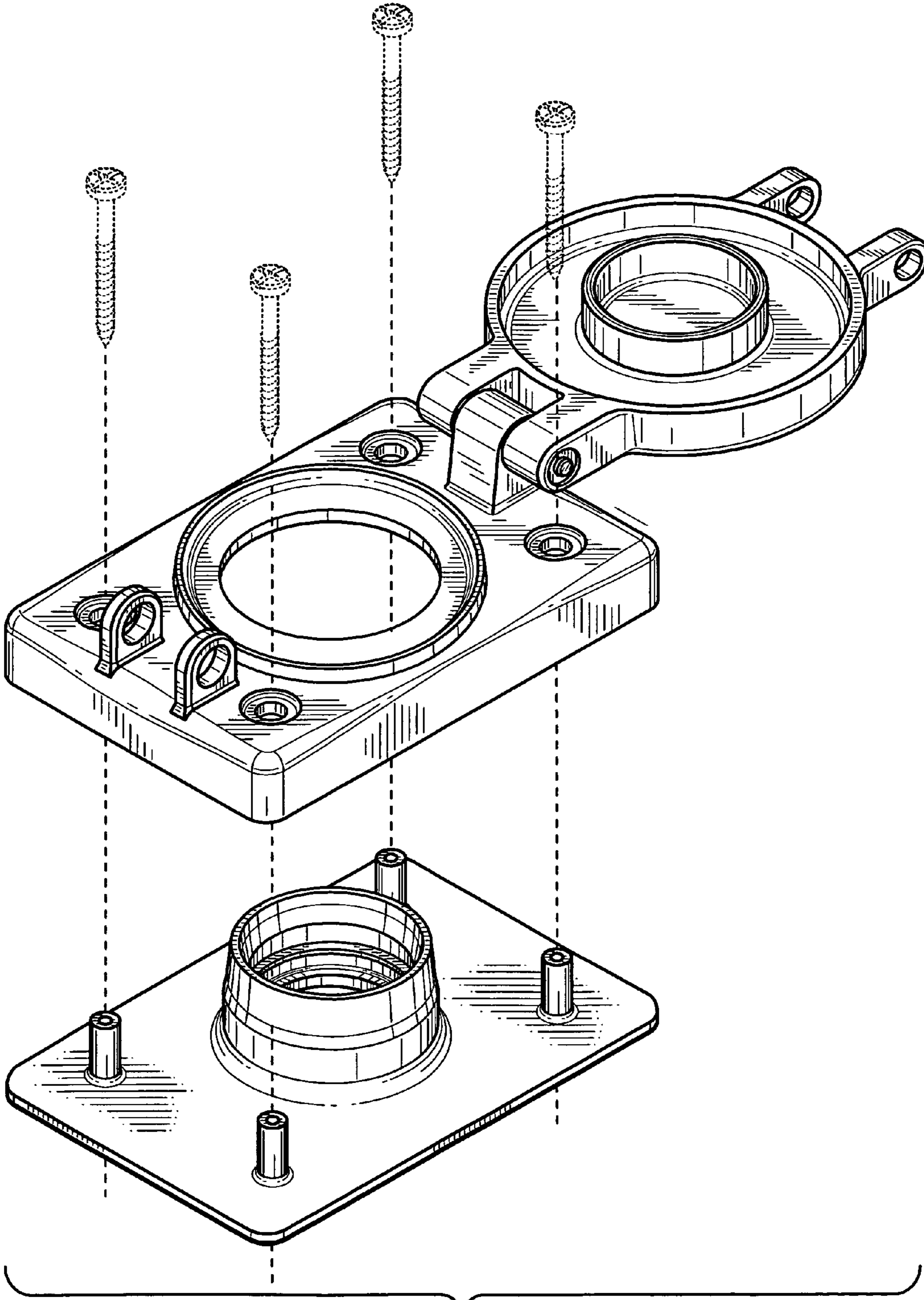


FIG. 9

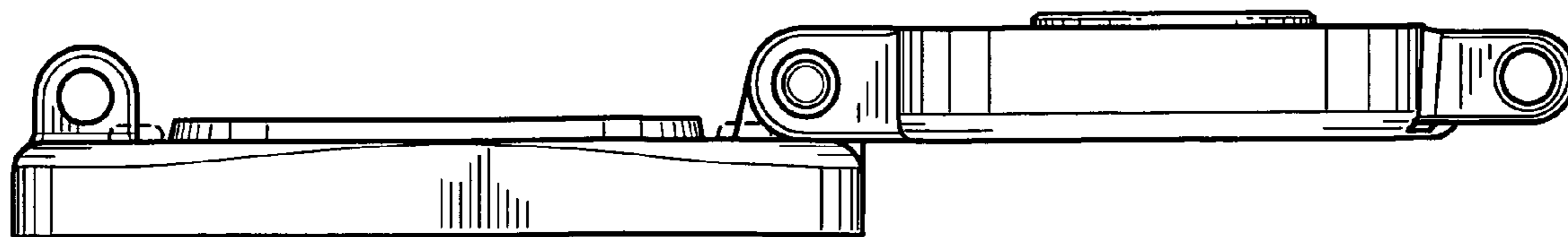


FIG. 10

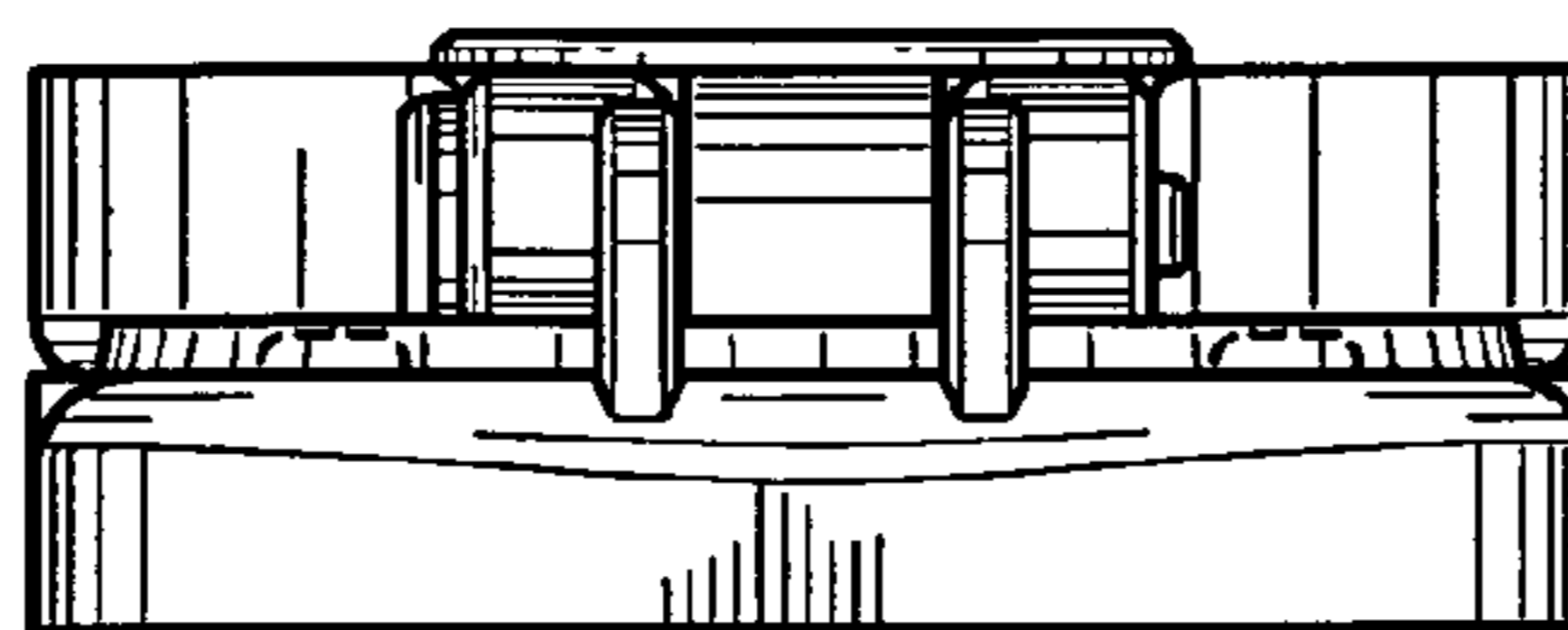


FIG. 11

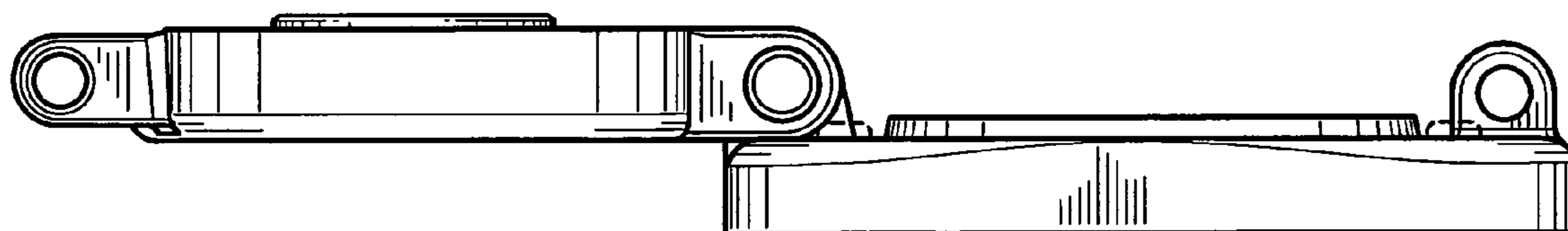


FIG. 12

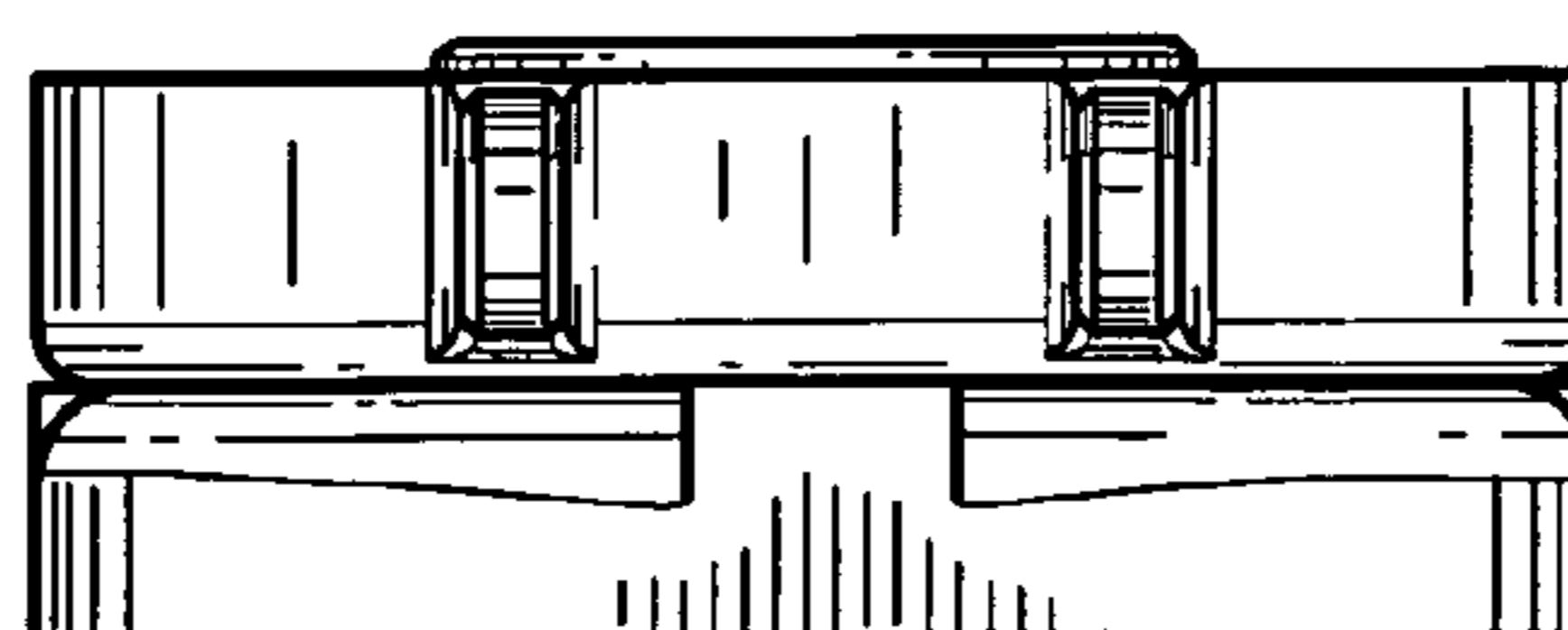


FIG. 13

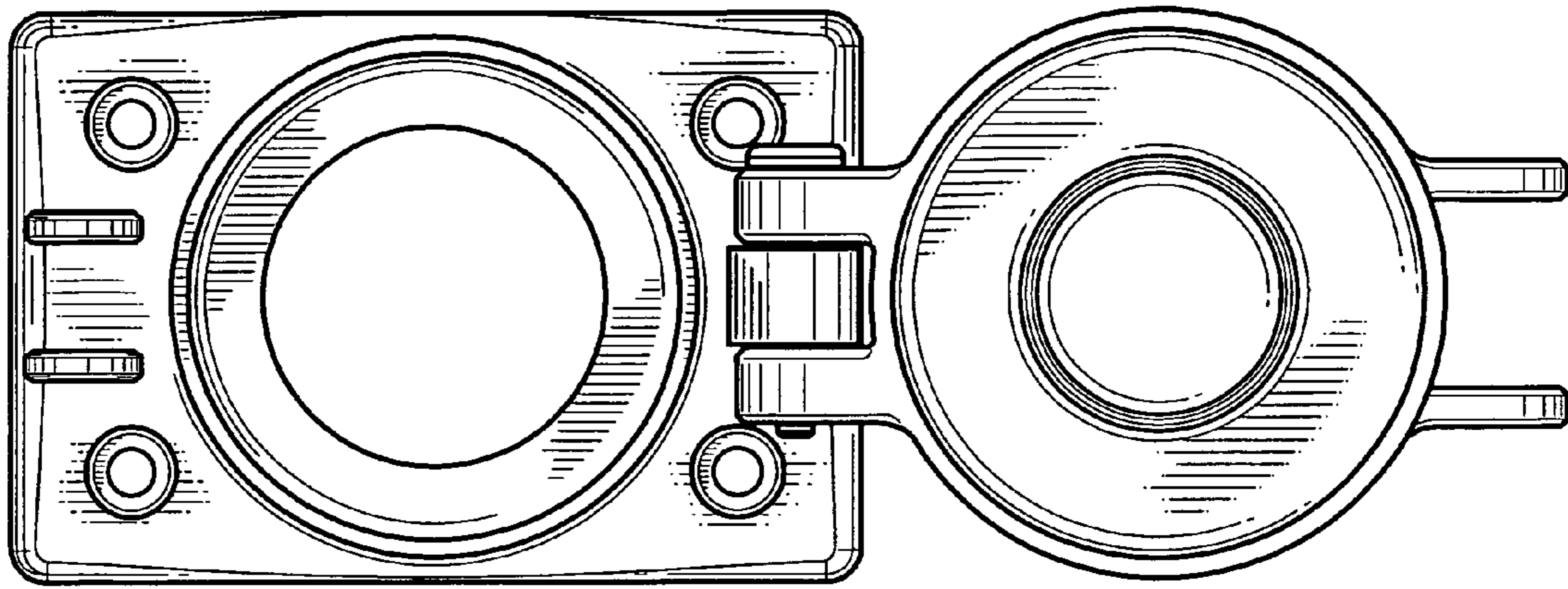


FIG. 14

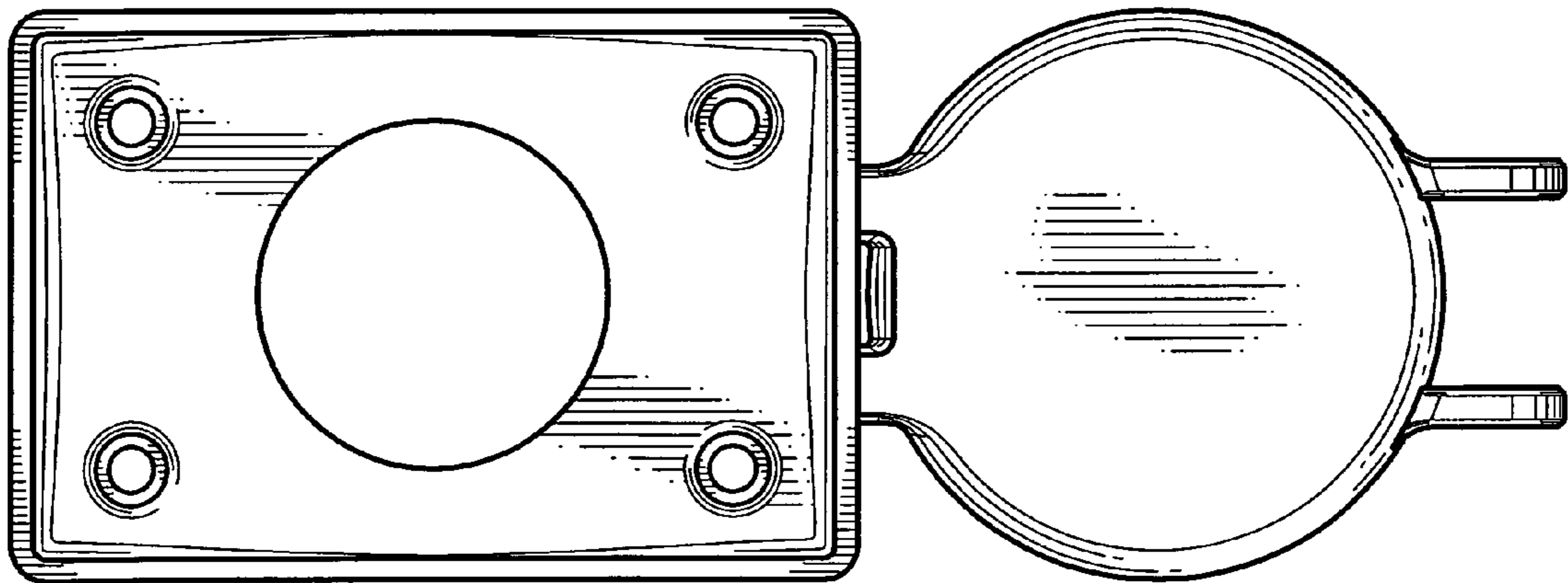


FIG. 15

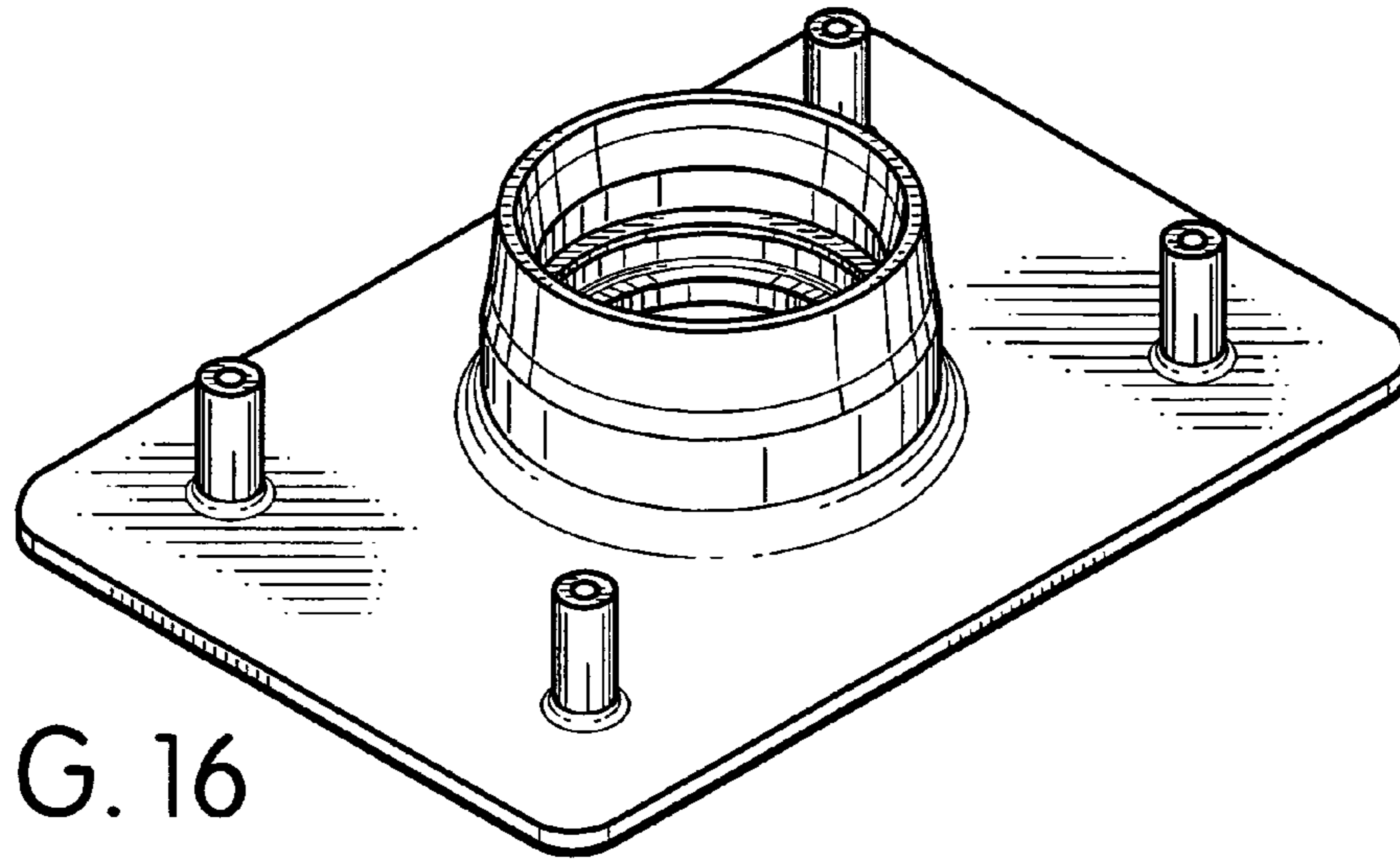


FIG. 16

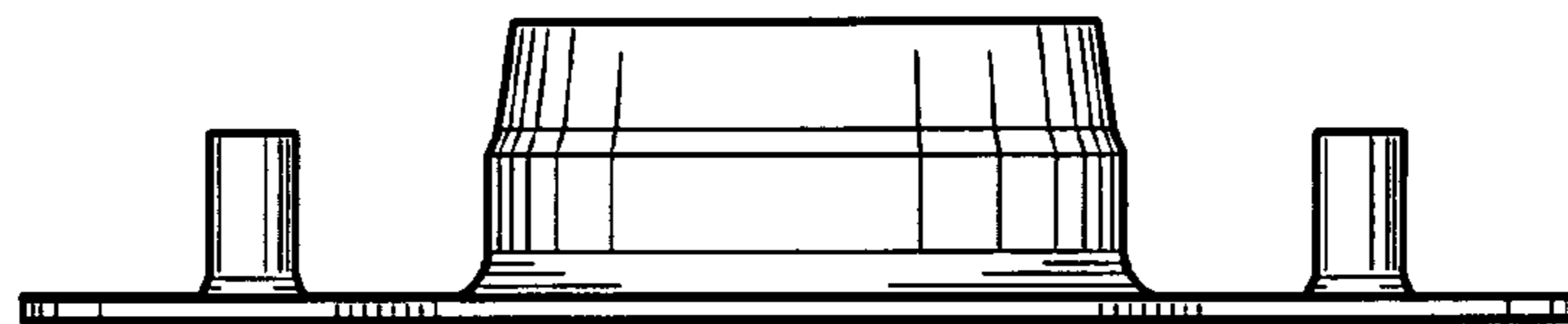


FIG. 17

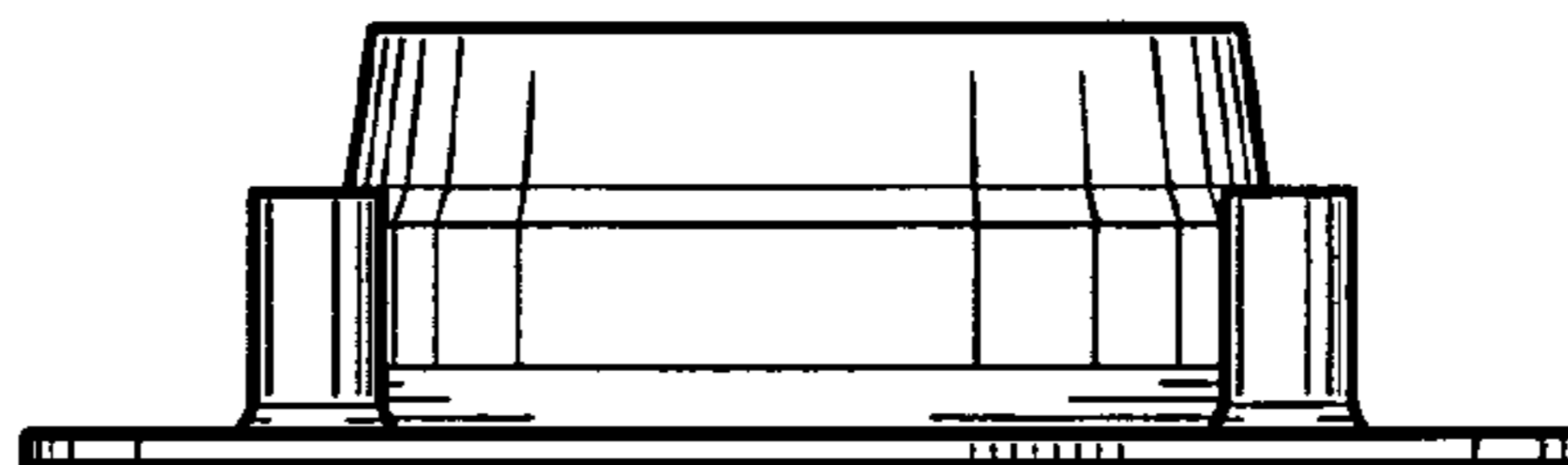


FIG. 18

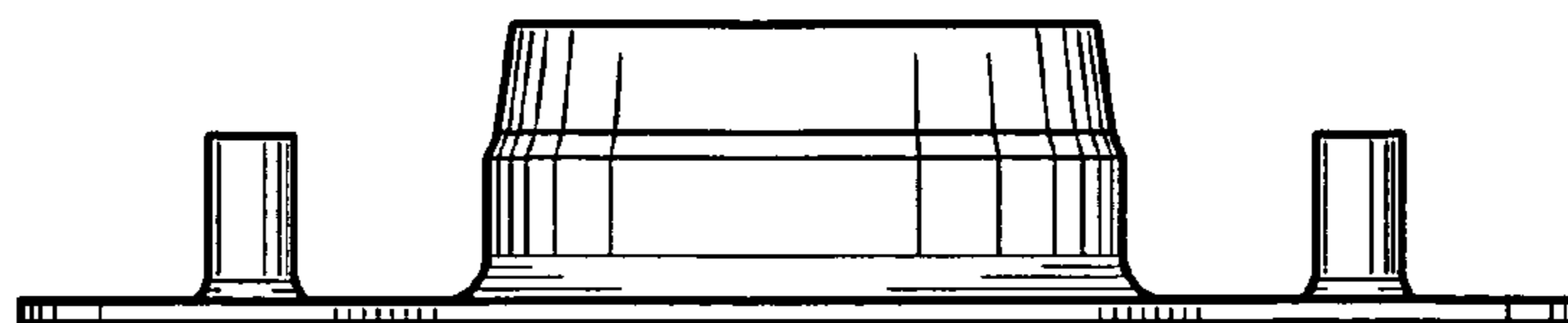


FIG. 19

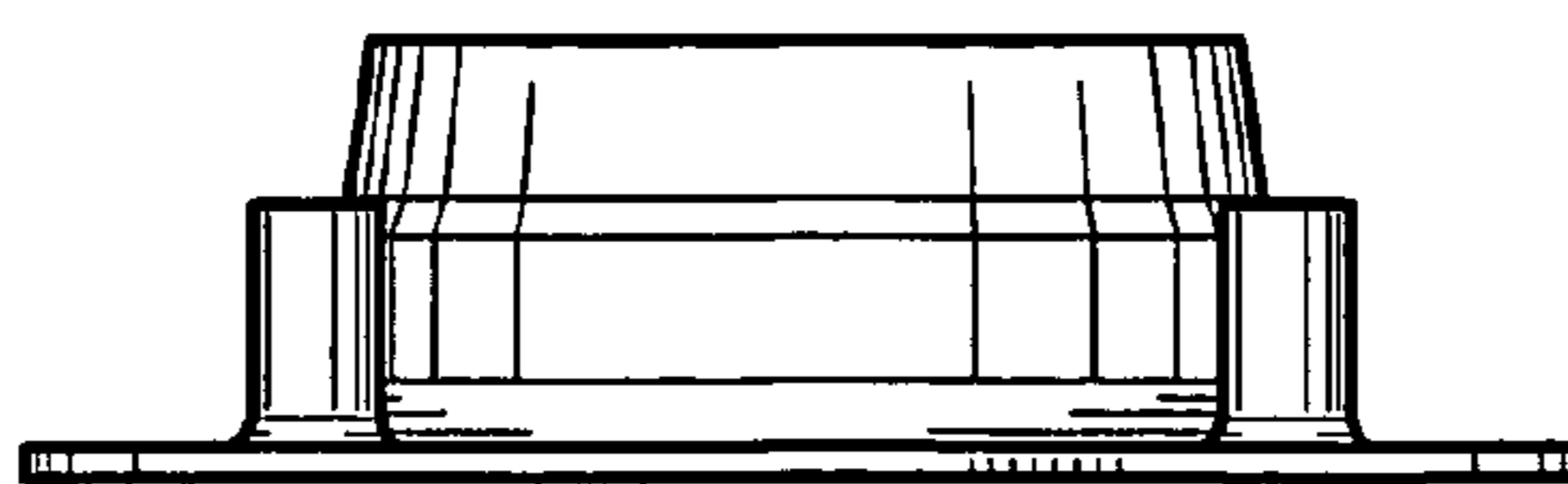


FIG. 20

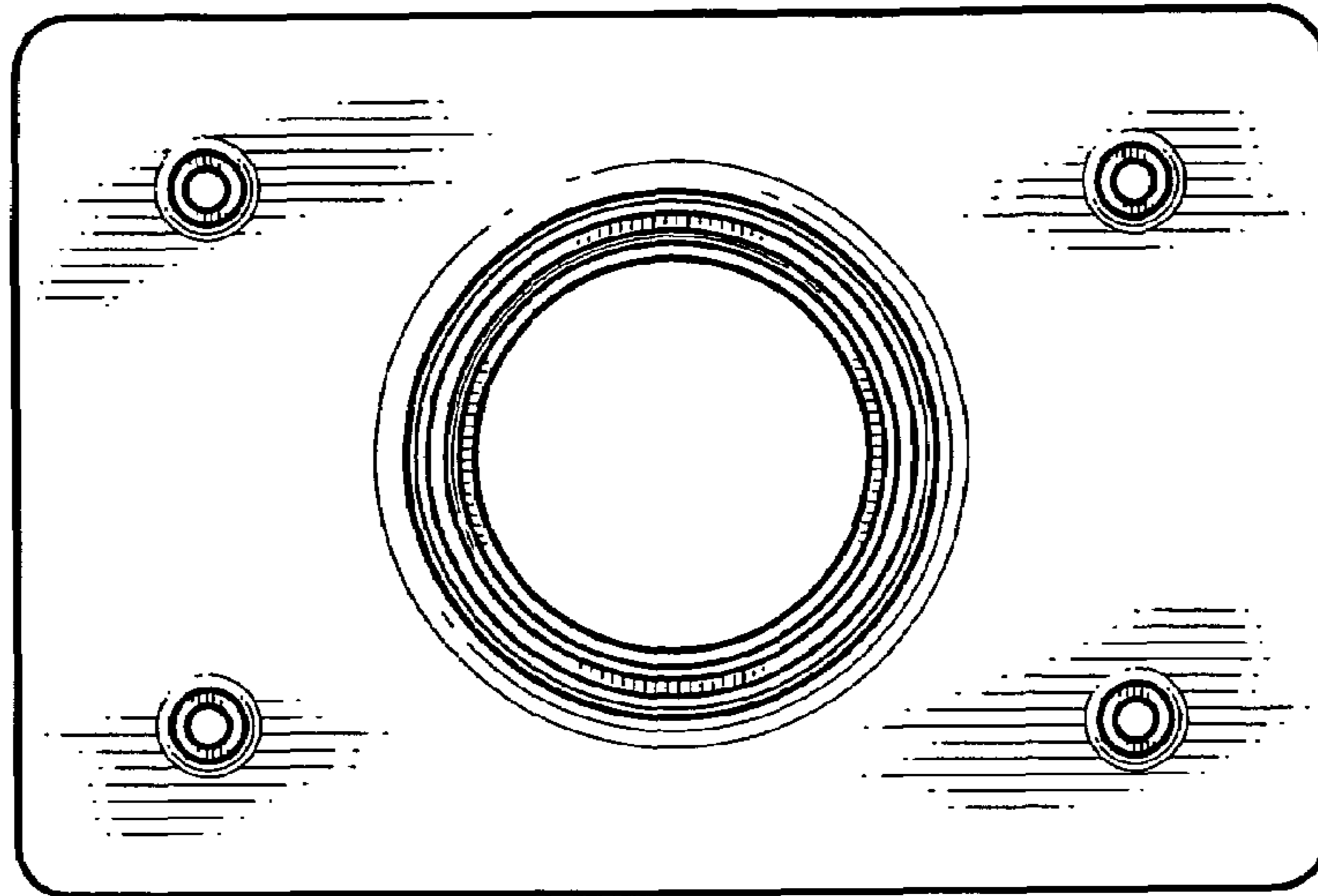


FIG. 21

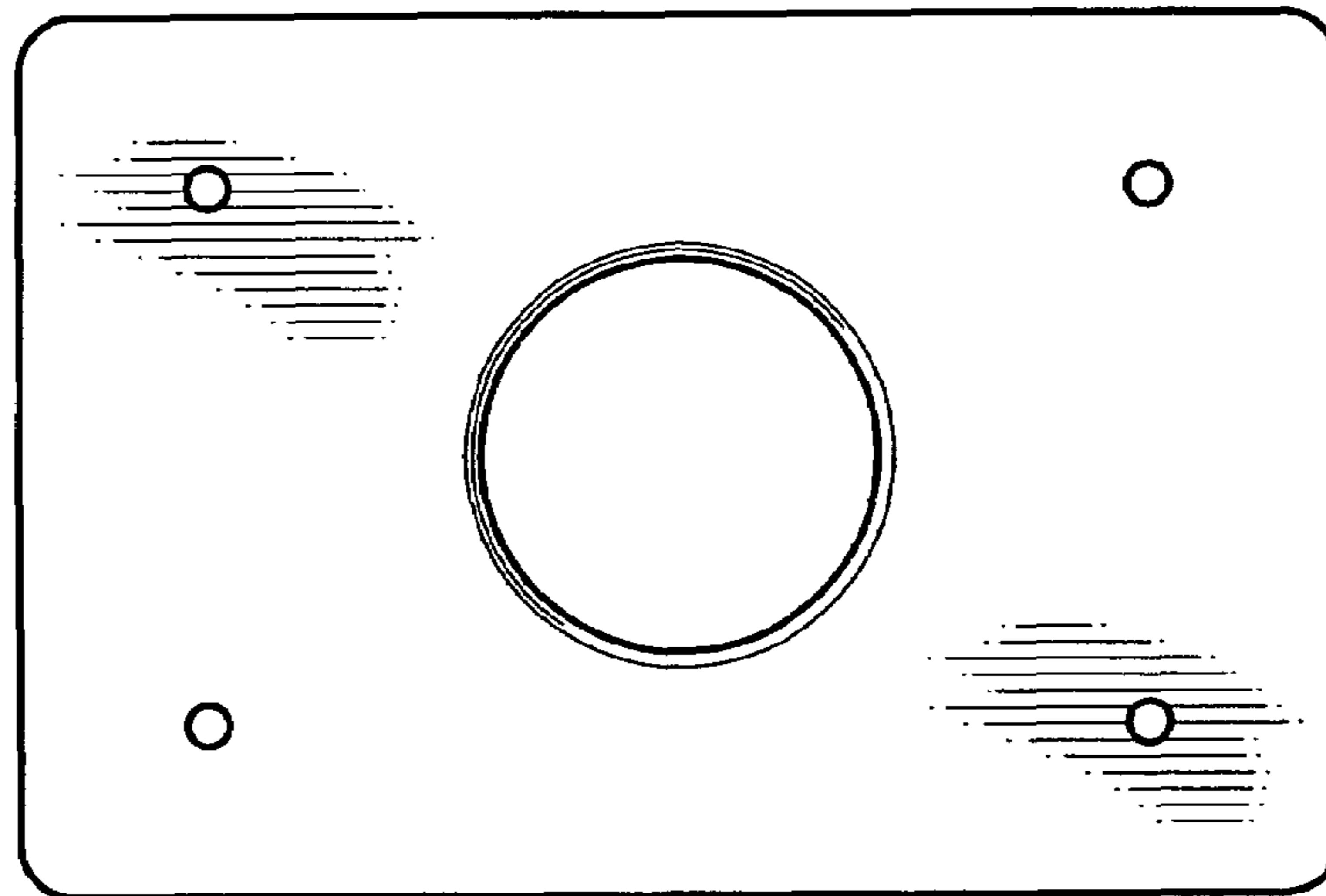


FIG. 22

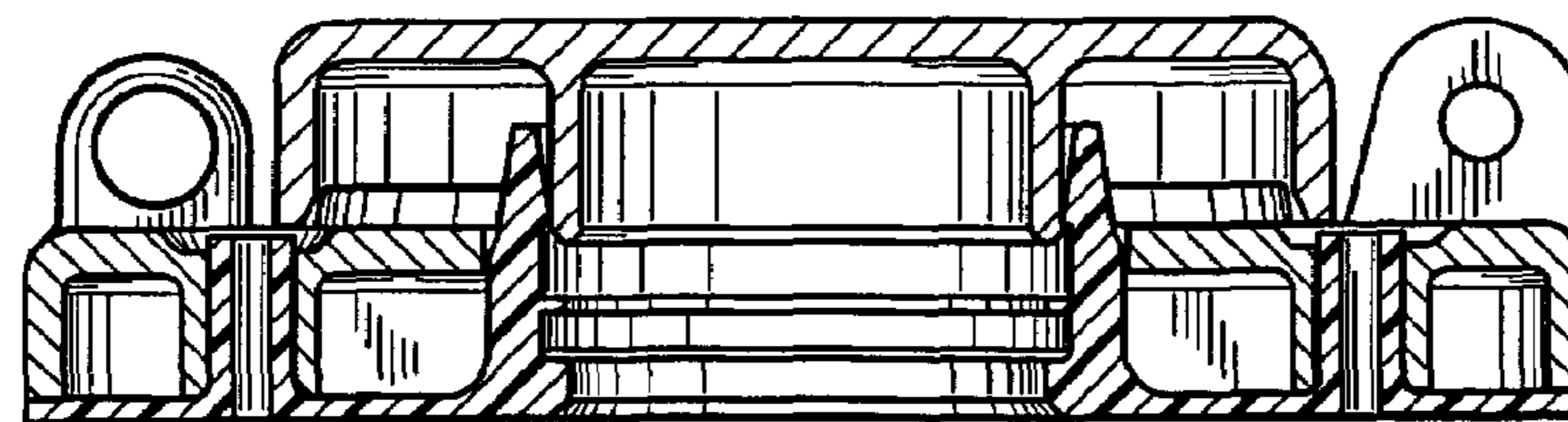


FIG. 23