



US00D595235S

(12) **United States Design Patent**
Koushiro

(10) **Patent No.:** **US D595,235 S**
(45) **Date of Patent:** **** Jun. 30, 2009**

(54) **ELECTRICAL CONTACT**

2006/0264076 A1* 11/2006 Chen 439/82
2007/0010139 A1* 1/2007 Chen 439/751

(75) Inventor: **Tsutomu Koushiro**, Kanagawa (JP)

FOREIGN PATENT DOCUMENTS

(73) Assignee: **IRISO Electronics Co., Ltd.**, Kanagawa (JP)

JP 05-166561 7/1993
JP 09-219268 8/1997

(**) Term: **14 Years**

* cited by examiner

(21) Appl. No.: **29/327,130**

Primary Examiner—Daniel D Bui
(74) *Attorney, Agent, or Firm*—Lowe Hauptman Ham & Berner LLP

(22) Filed: **Oct. 31, 2008**

(57) **CLAIM**

(30) **Foreign Application Priority Data**

The ornamental design for an electrical contact, as shown and described.

Sep. 2, 2008 (JP) 2008-022586

(51) **LOC (9) Cl.** **13-03**

DESCRIPTION

(52) **U.S. Cl.** **D13/154**

FIG. 1 is a front view of an electrical contact showing my new design;

(58) **Field of Classification Search** D13/133,
D13/146, 147, 154, 184; 439/834, 845, 849–850,
439/862, 884–885, 887

FIG. 2 is a top plan view thereof;

See application file for complete search history.

FIG. 3 is a left side view thereof;

FIG. 4 is a right side view thereof; and,

FIG. 5 is a perspective view thereof.

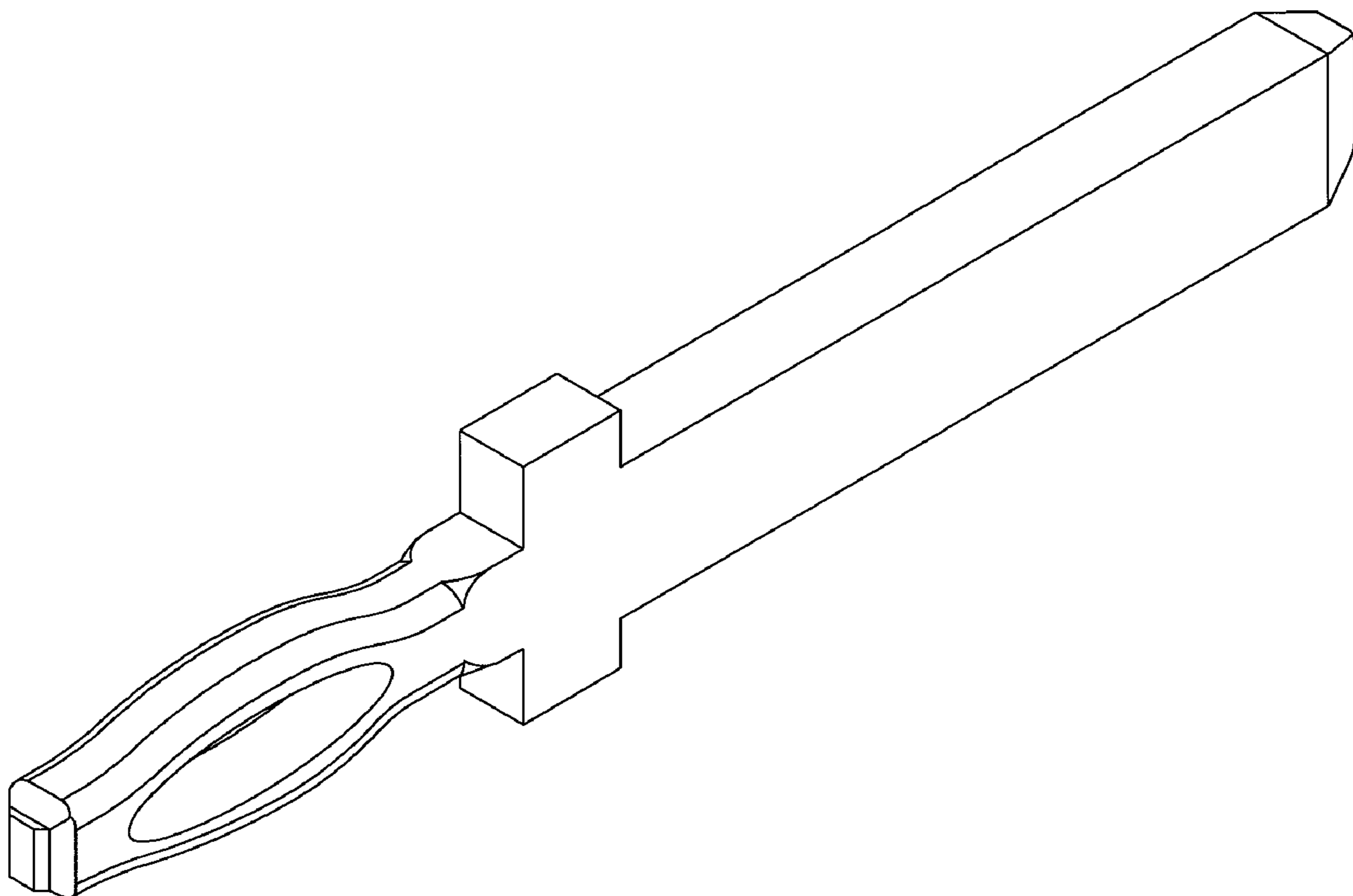
(56) **References Cited**

The rear view is a mirror image of the front view. The bottom plan view appears the same as the top plan view.

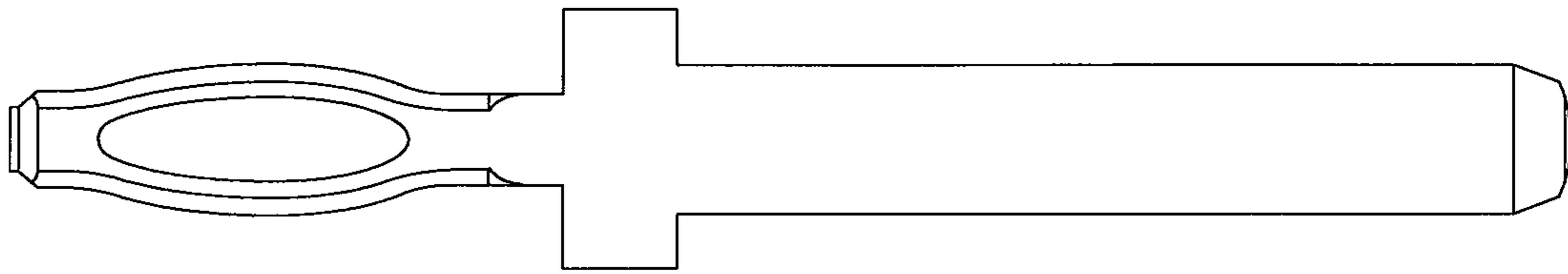
U.S. PATENT DOCUMENTS

D280,401 S * 9/1985 Armistead D13/133
D413,860 S * 9/1999 Matthews D13/133
D551,623 S * 9/2007 Lee et al. D13/133

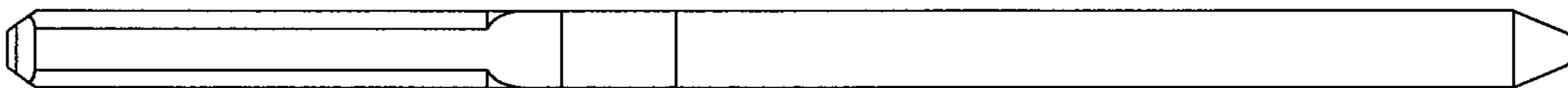
1 Claim, 3 Drawing Sheets



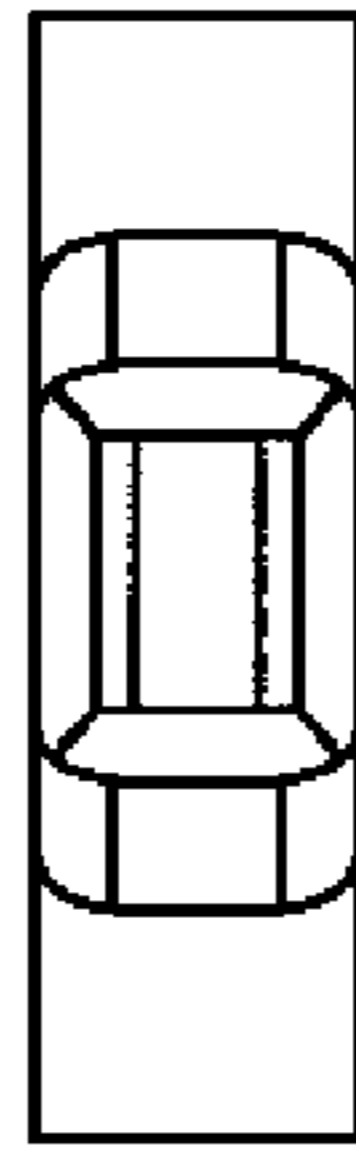
F i g . 1



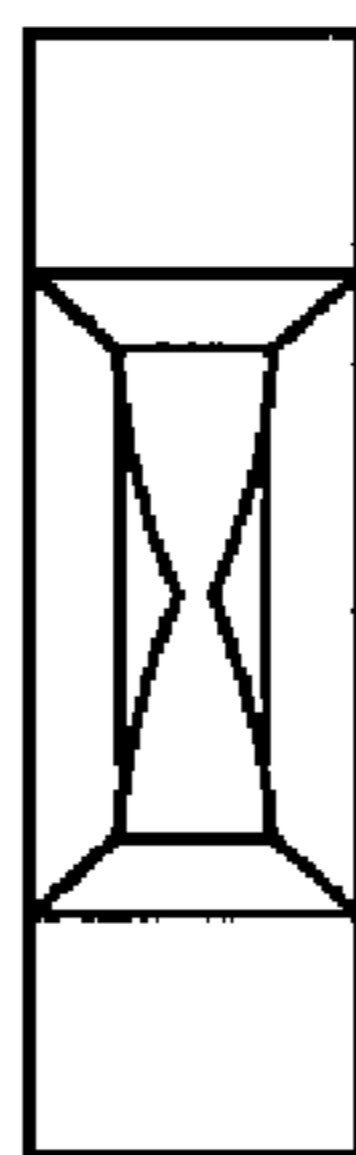
F i g . 2



F i g . 3



F i g . 4



F i g . 5

