



US00D595234S

(12) **United States Design Patent**
Ishizuka

(10) **Patent No.:** **US D595,234 S**
(45) **Date of Patent:** **** Jun. 30, 2009**

(54) **ELECTRIC CONNECTOR**

(75) Inventor: **Shinya Ishizuka**, Utsunomiya (JP)

(73) Assignee: **DDK Ltd.**, Tokyo (JP)

(**) Term: **14 Years**

(21) Appl. No.: **29/318,883**

(22) Filed: **May 29, 2008**

(30) **Foreign Application Priority Data**

Dec. 5, 2007 (JP) 2007-033331

(51) **LOC (9) Cl.** **13-03**

(52) **U.S. Cl.** **D13/154**

(58) **Field of Classification Search** D13/133,
D13/146, 147, 154, 184; 439/278, 607-610,
439/668-669, 894, 939

See application file for complete search history.

(56) **References Cited**

U.S. PATENT DOCUMENTS

D535,622 S * 1/2007 Zhu et al. D13/133

D553,083 S * 10/2007 Han et al. D13/133

D558,674 S * 1/2008 Lin et al. D13/133

D558,678 S * 1/2008 Han et al. D13/154

2008/0050977 A1* 2/2008 Lee et al. 439/668

* cited by examiner

Primary Examiner—Daniel D Bui

(74) *Attorney, Agent, or Firm*—Sughrue Mion, PLLC

(57) **CLAIM**

The ornamental design for an electric connector, as shown and described.

DESCRIPTION

FIG. 1 is a first perspective view of an electric connector showing my new design;

FIG. 2 is a second perspective view thereof;

FIG. 3 is a front elevation view thereof;

FIG. 4 is a rear elevation view thereof;

FIG. 5 is a right side elevation view thereof;

FIG. 6 is a left side elevation view thereof;

FIG. 7 is a top plan view thereof; and,

FIG. 8 is a bottom plan view thereof.

The broken lines represent unclaimed subject matter only and form no part of the claimed design. The lines consisting of long lines and dots indicate conceptual border lines between the claimed portions and the disclaimed portions.

1 Claim, 5 Drawing Sheets

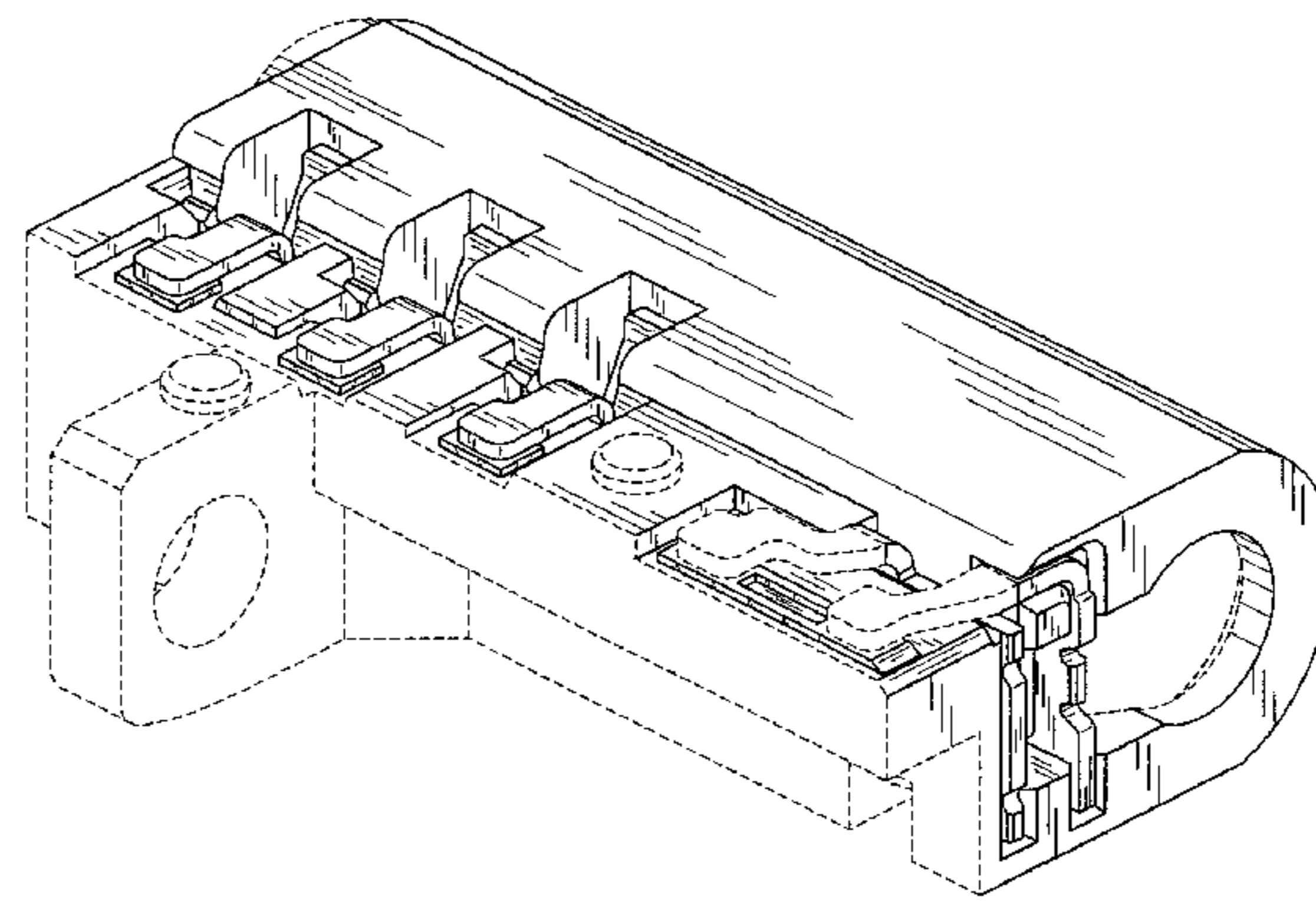
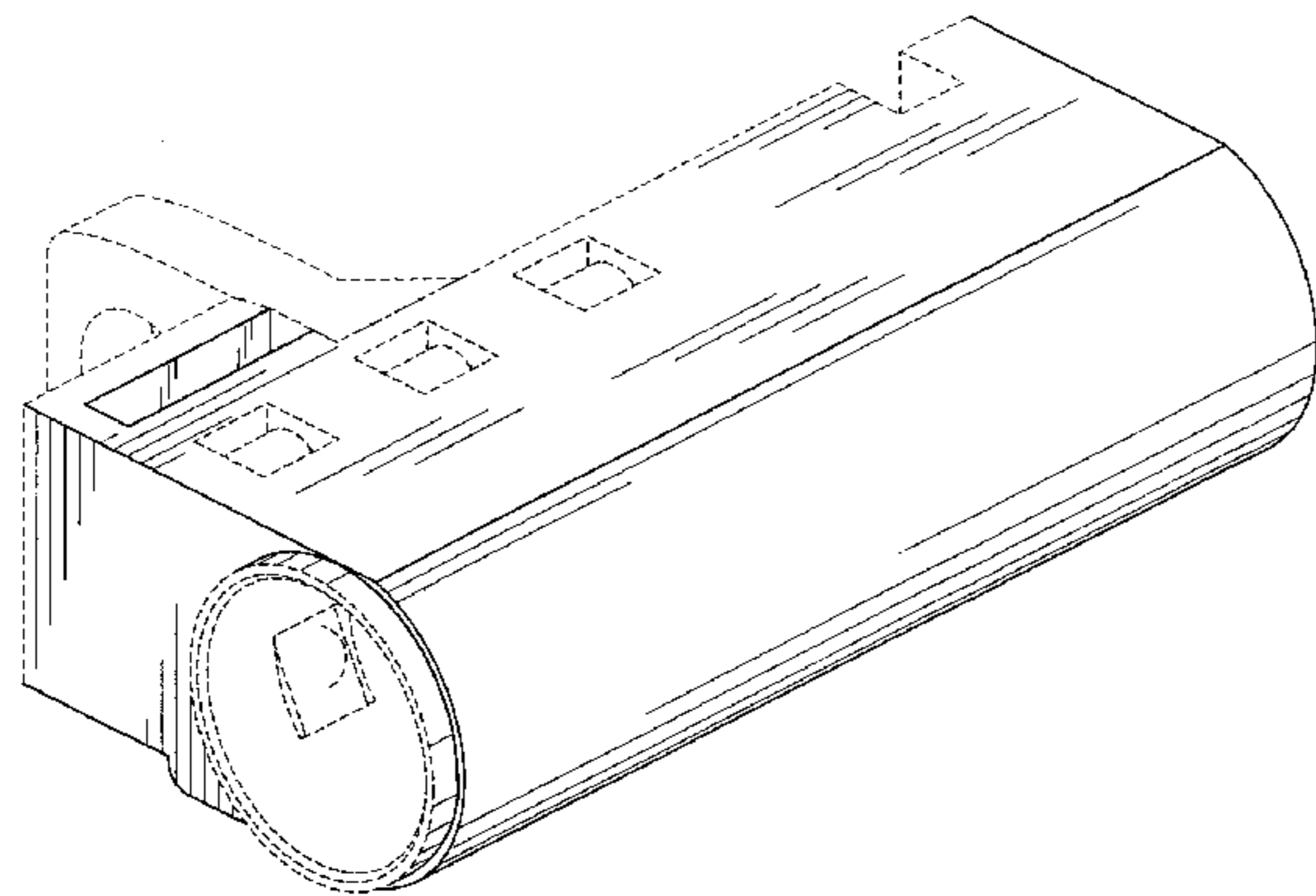


Fig.1

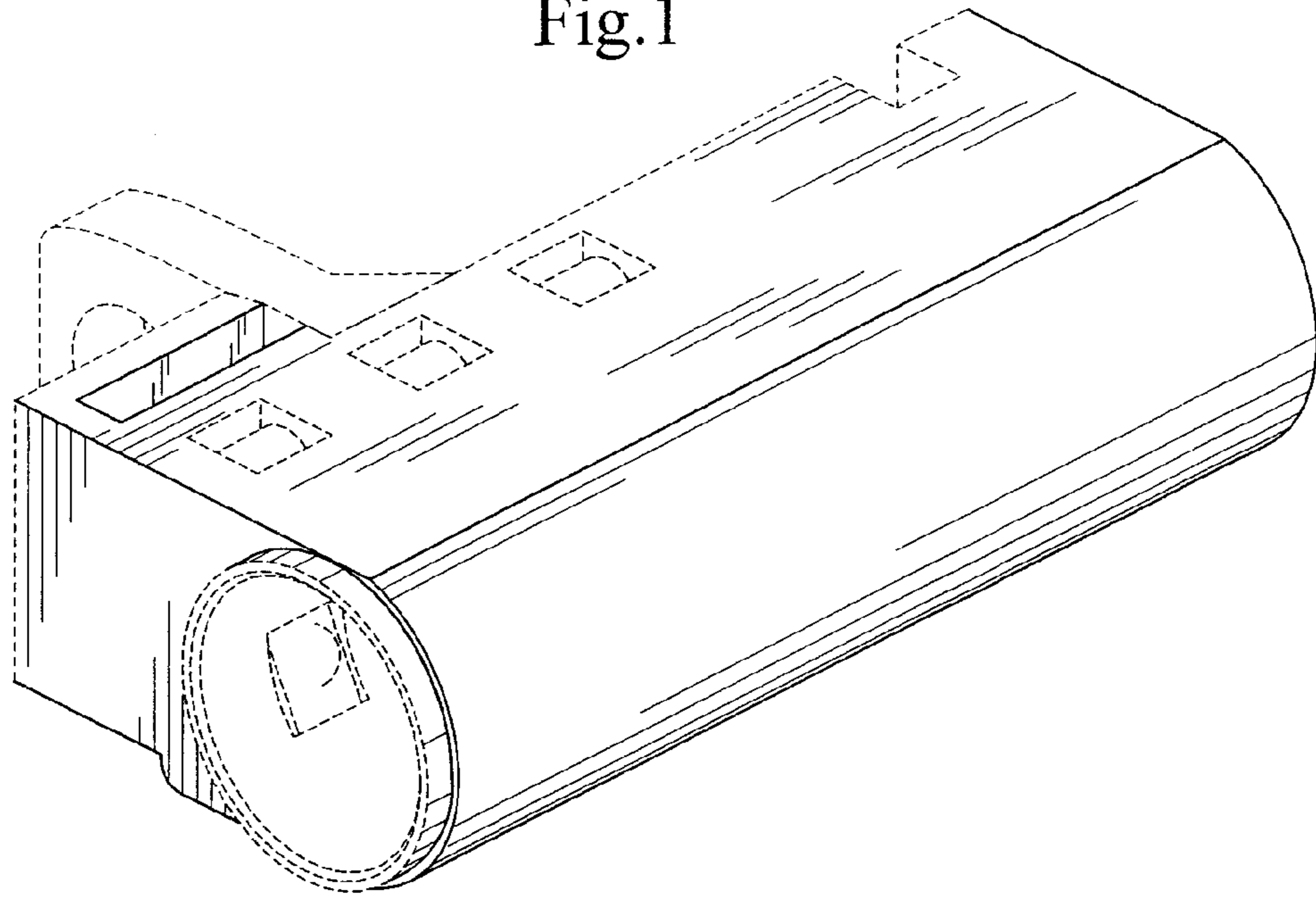


Fig.2

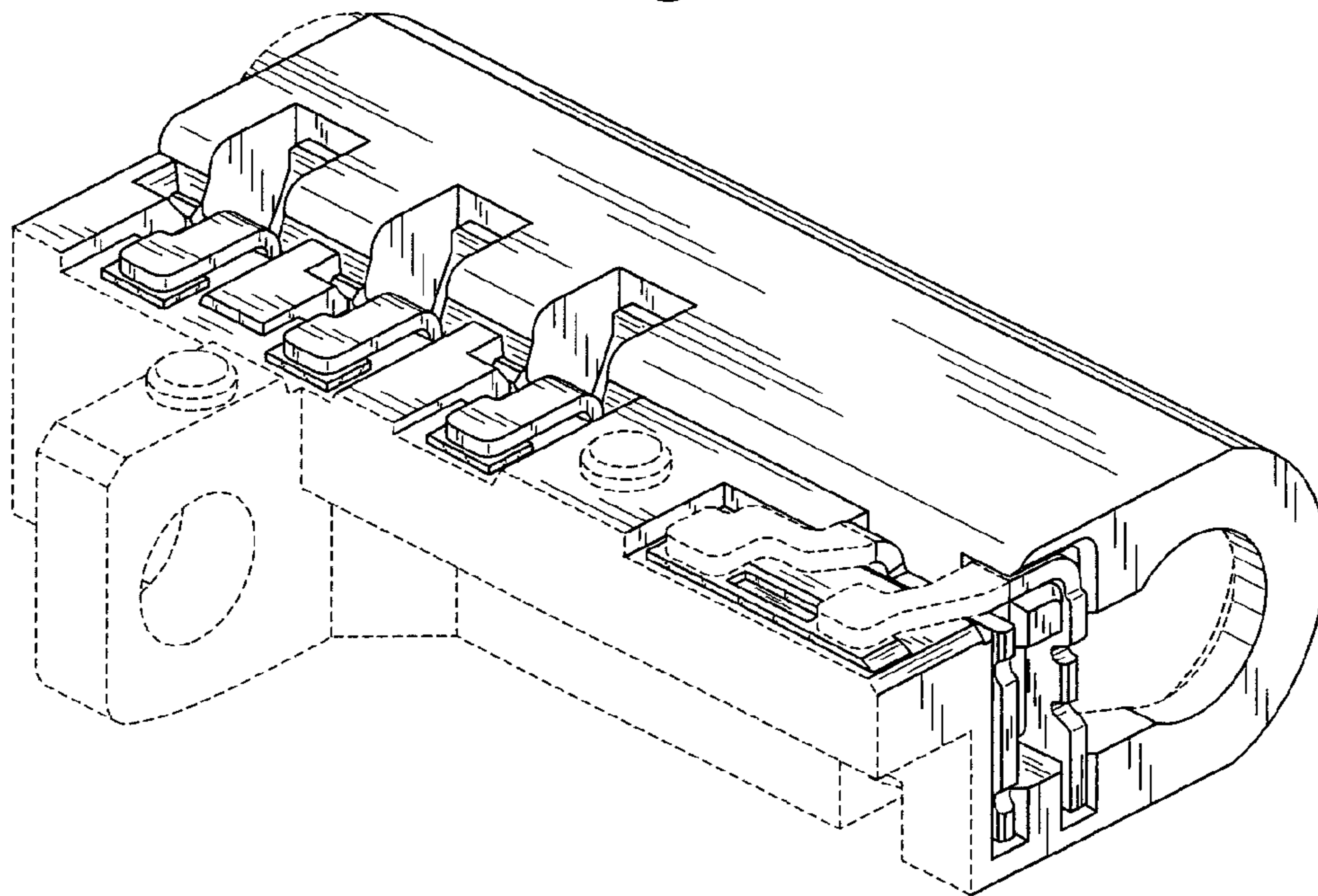


Fig.3

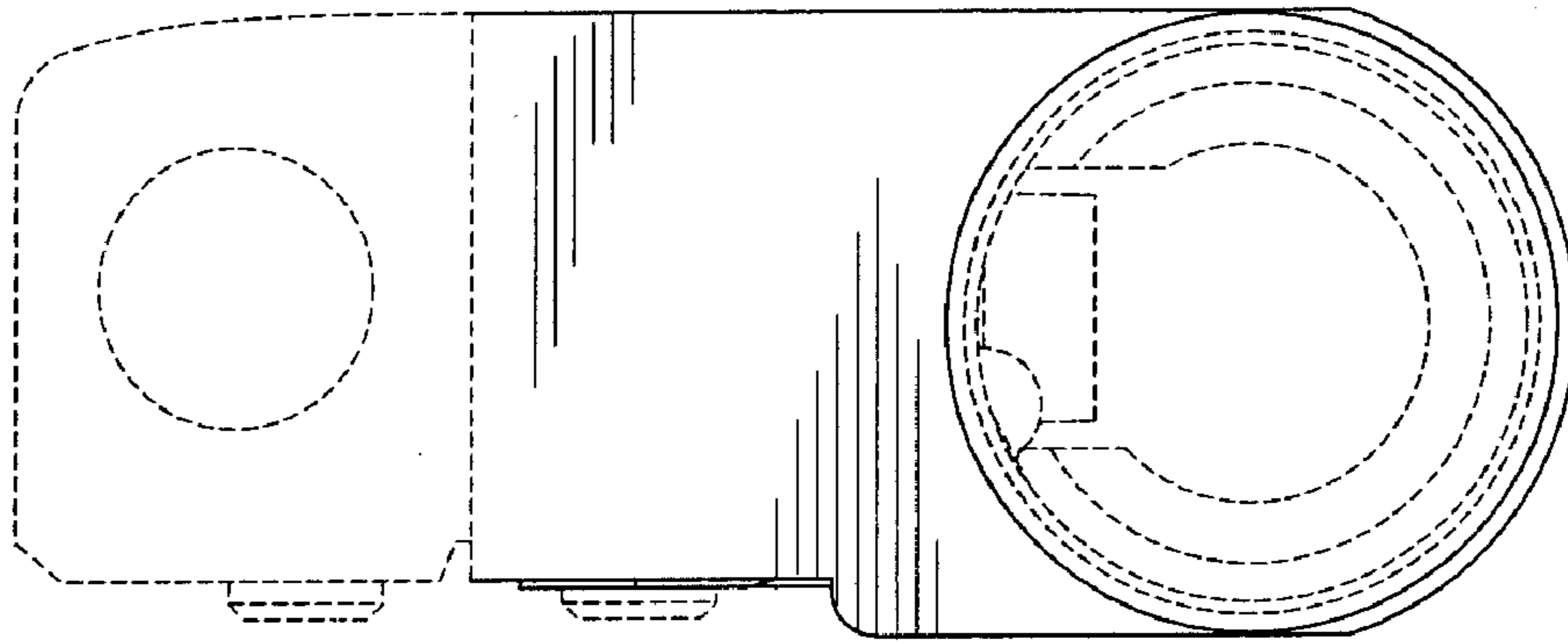


Fig.4

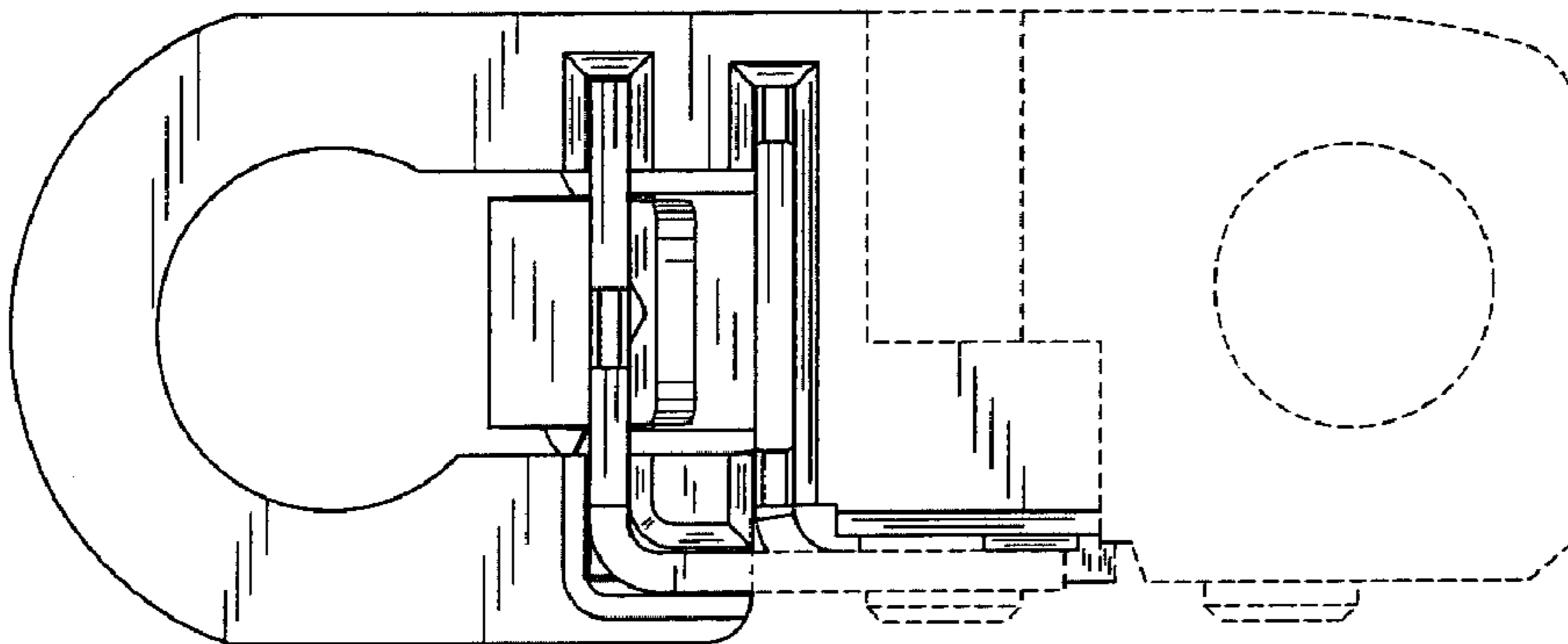


Fig.5

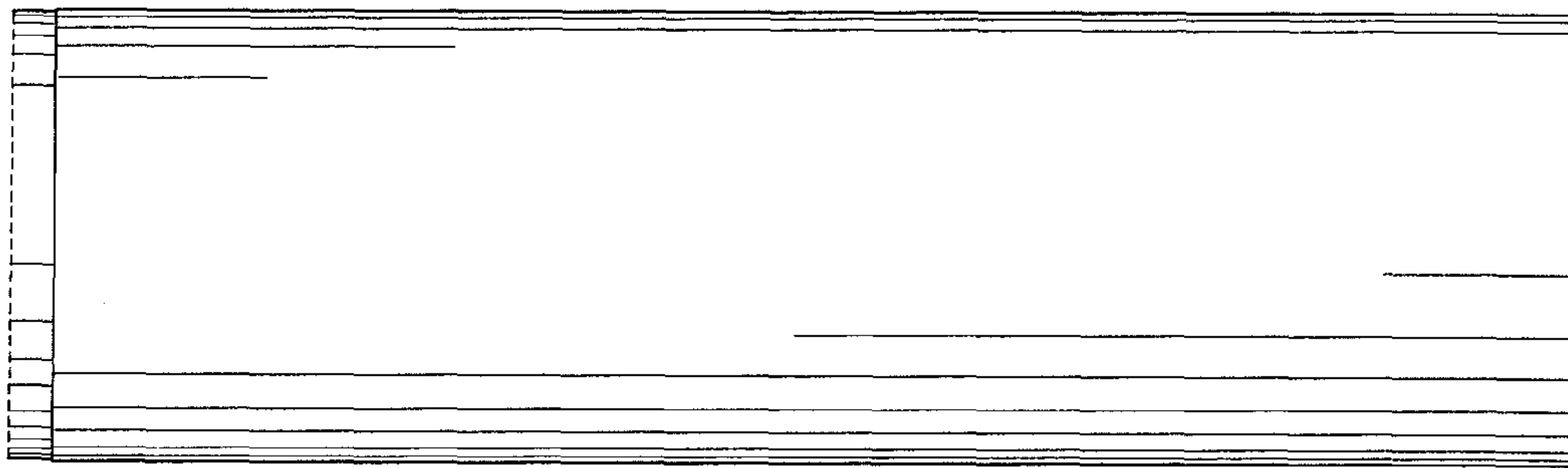


Fig.6

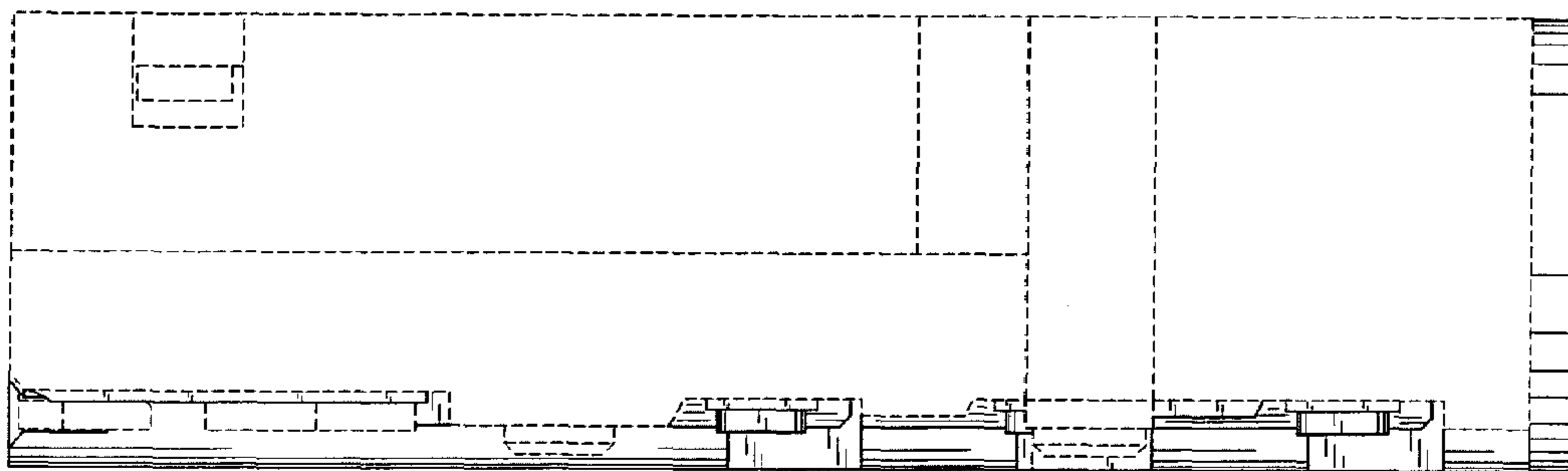


Fig.7

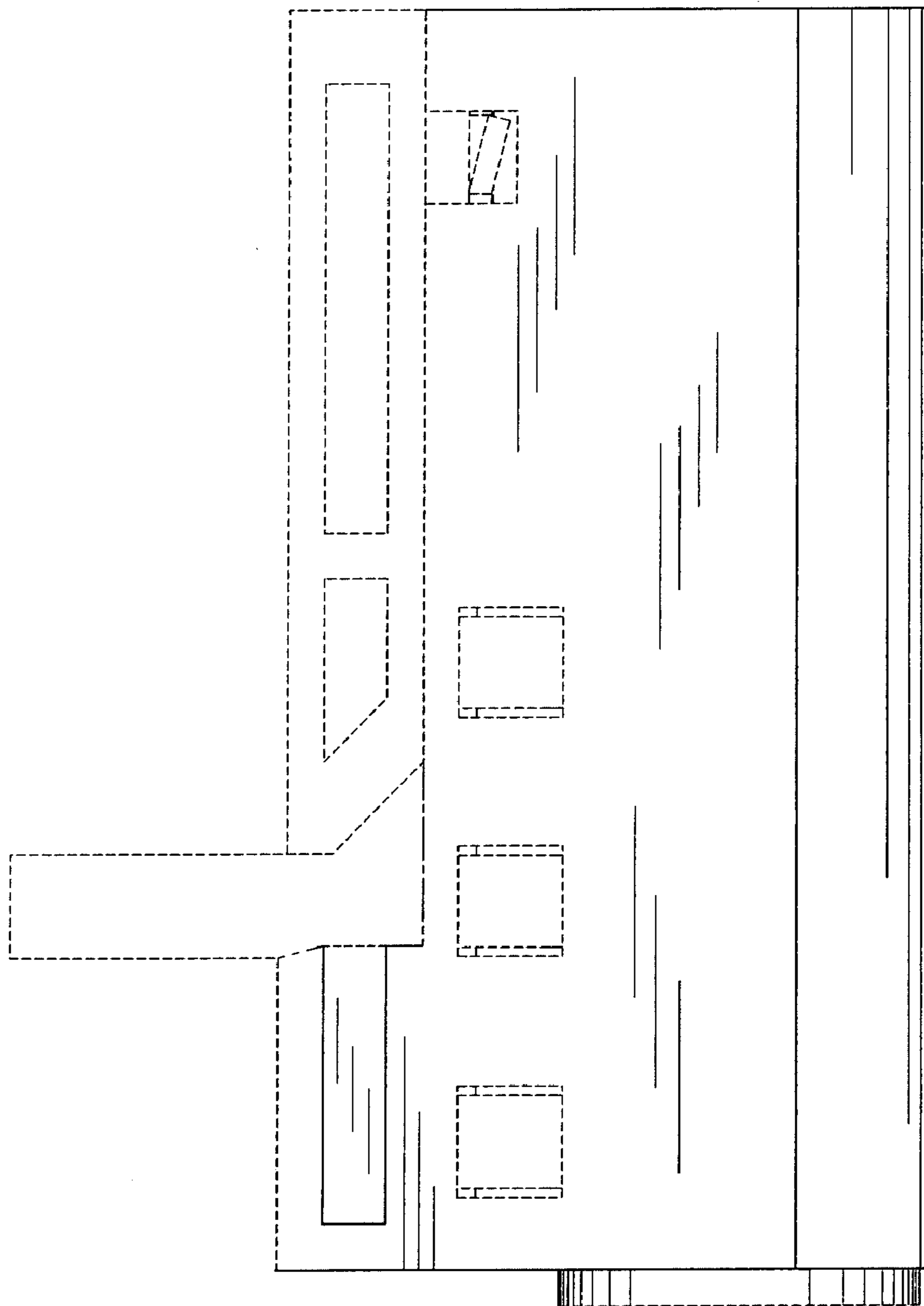


Fig.8

