



US00D595233S

(12) **United States Design Patent**
Yang

(10) **Patent No.:** **US D595,233 S**
(45) **Date of Patent:** **** Jun. 30, 2009**

(54) **ELECTRICAL CONNECTOR**

D455,127 S * 4/2002 Wu D13/147
D526,277 S * 8/2006 Wu D13/147

(75) Inventor: **Wen-Huei Yang**, Tu-cheng (TW)

(73) Assignee: **Hon Hai Precision Inc. Co., Ltd.**,
Taipei Hsien (TW)

* cited by examiner

Primary Examiner—Daniel D Bui
(74) *Attorney, Agent, or Firm*—Wei Te Chung

(**) Term: **14 Years**

(21) Appl. No.: **29/310,800**

(57) **CLAIM**

(22) Filed: **Sep. 10, 2008**

The ornamental design for an electrical connector, as shown.

(30) **Foreign Application Priority Data**

Mar. 10, 2008 (TW) 97301393

DESCRIPTION

(51) **LOC (9) Cl.** **13-03**

FIG. 1 is a front, top and right side perspective view of an electrical connector showing our new design;

(52) **U.S. Cl.** **D13/147**

FIG. 2 is a front elevational view thereof;

(58) **Field of Classification Search** D13/146–147,
D13/154, 184; 439/62, 74, 79, 83, 108, 181,
439/260, 329, 395, 607–610

FIG. 3 is a rear elevational view thereof;

See application file for complete search history.

FIG. 4 is a left side elevational view thereof;

FIG. 5 is a right side elevational view thereof;

(56) **References Cited**

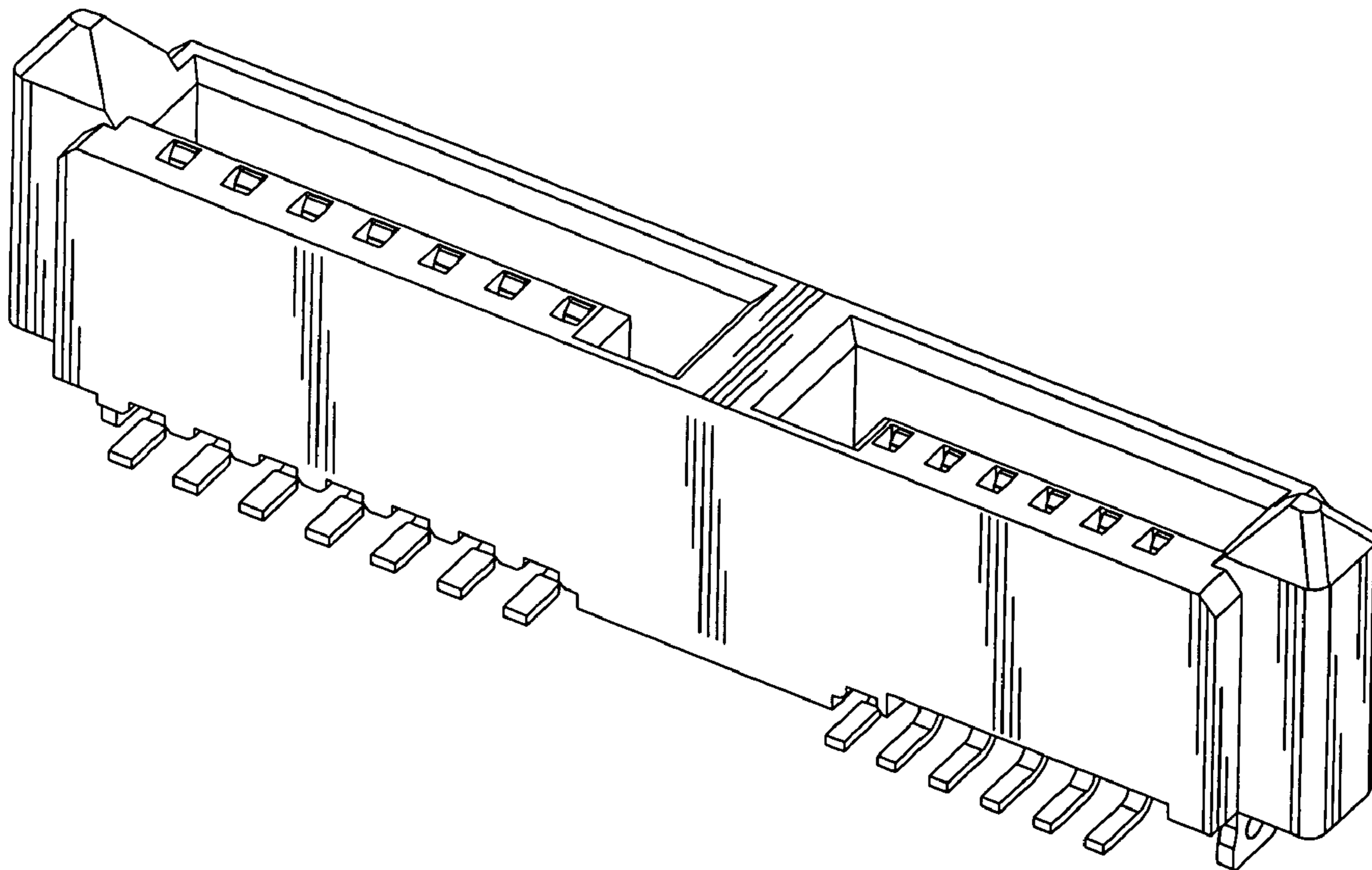
FIG. 6 is a top plan view thereof; and,

FIG. 7 is a bottom plan view thereof.

U.S. PATENT DOCUMENTS

6,331,122 B1 * 12/2001 Wu 439/567

1 Claim, 7 Drawing Sheets



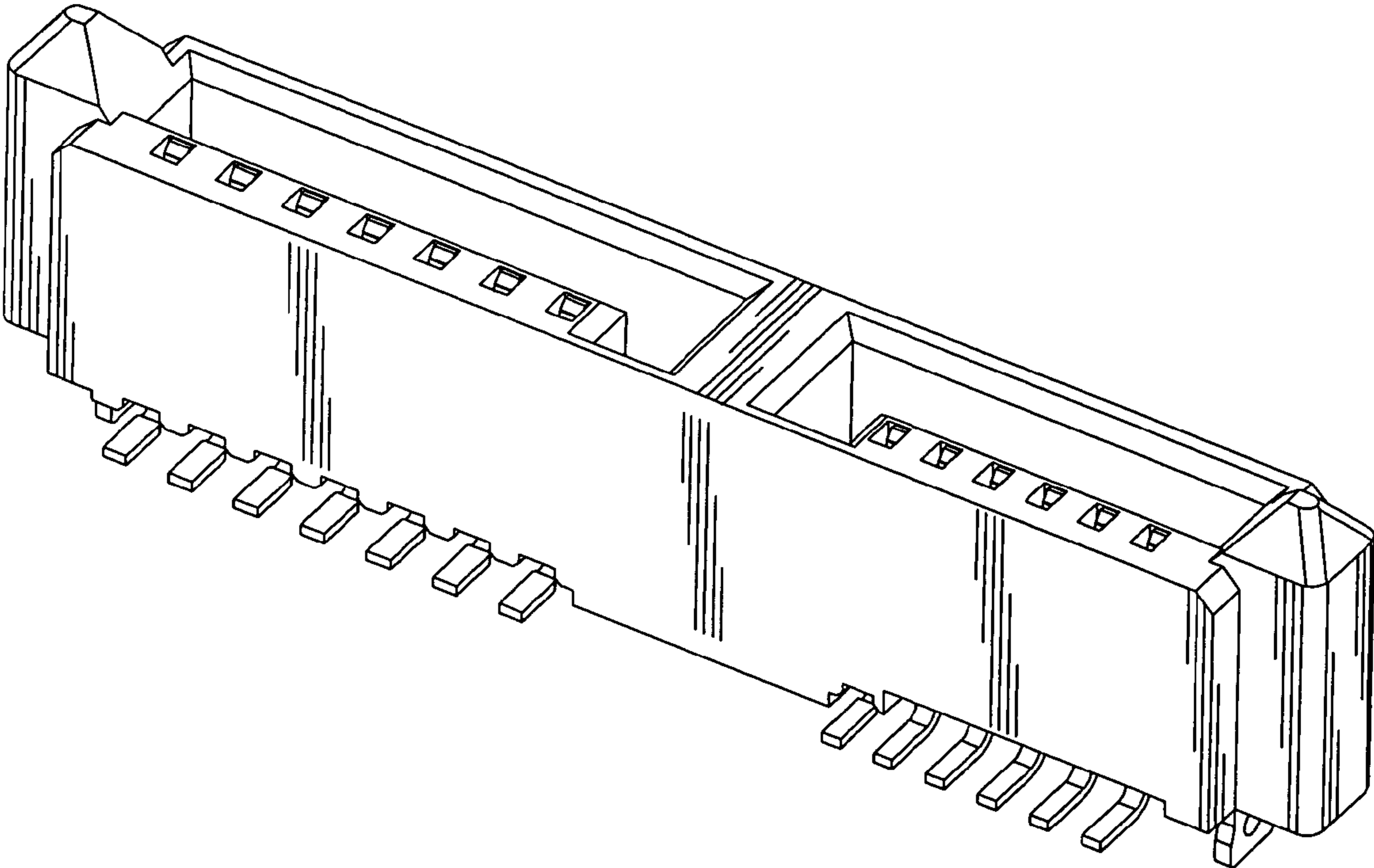


FIG. 1

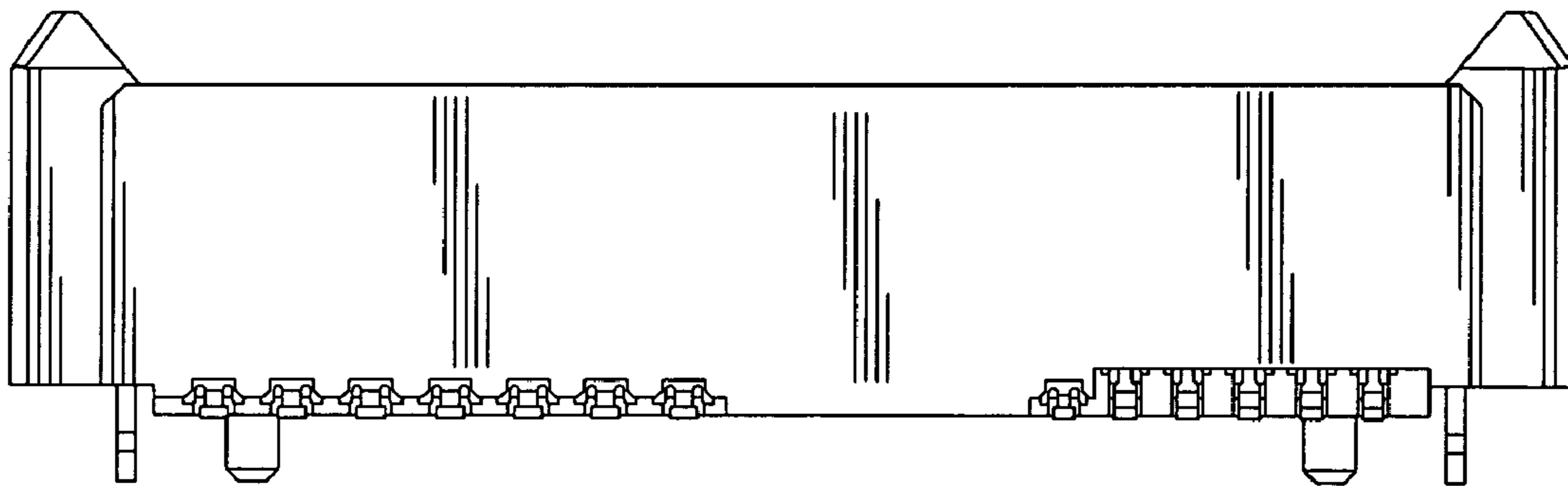


FIG. 2

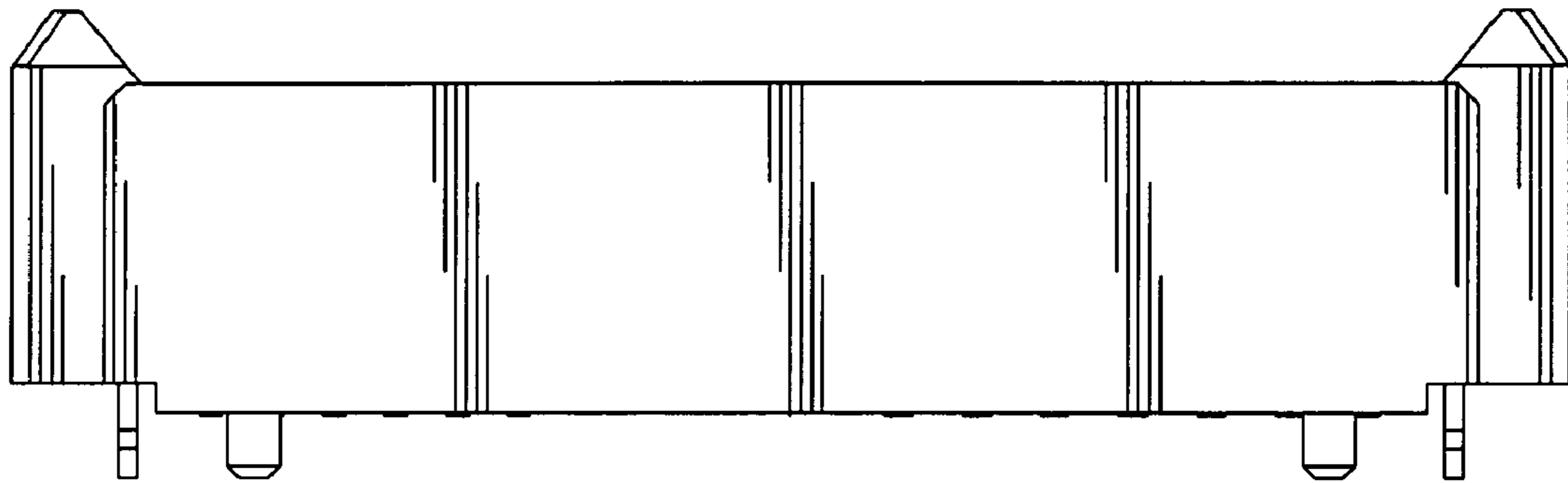


FIG. 3

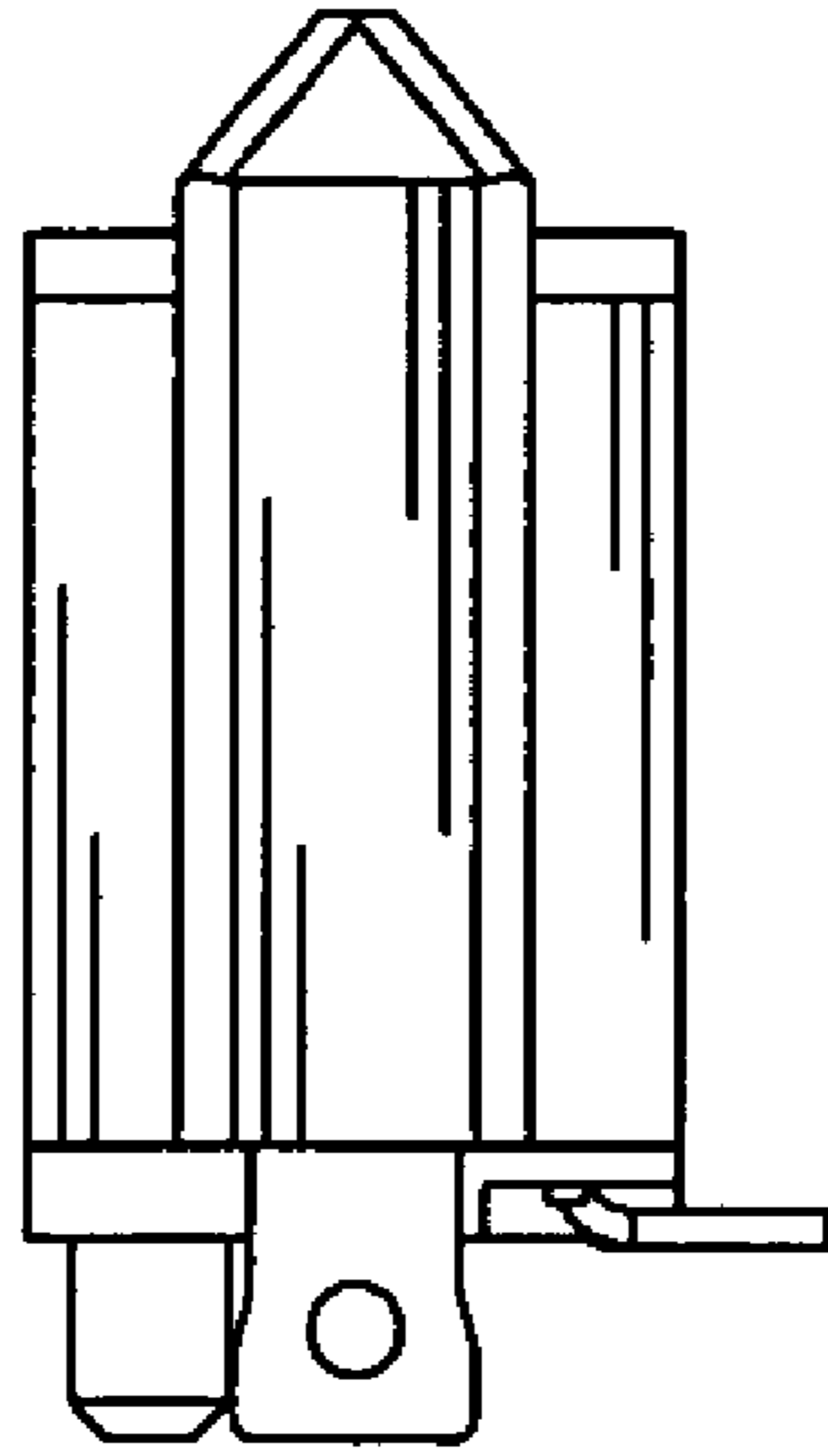


FIG. 4

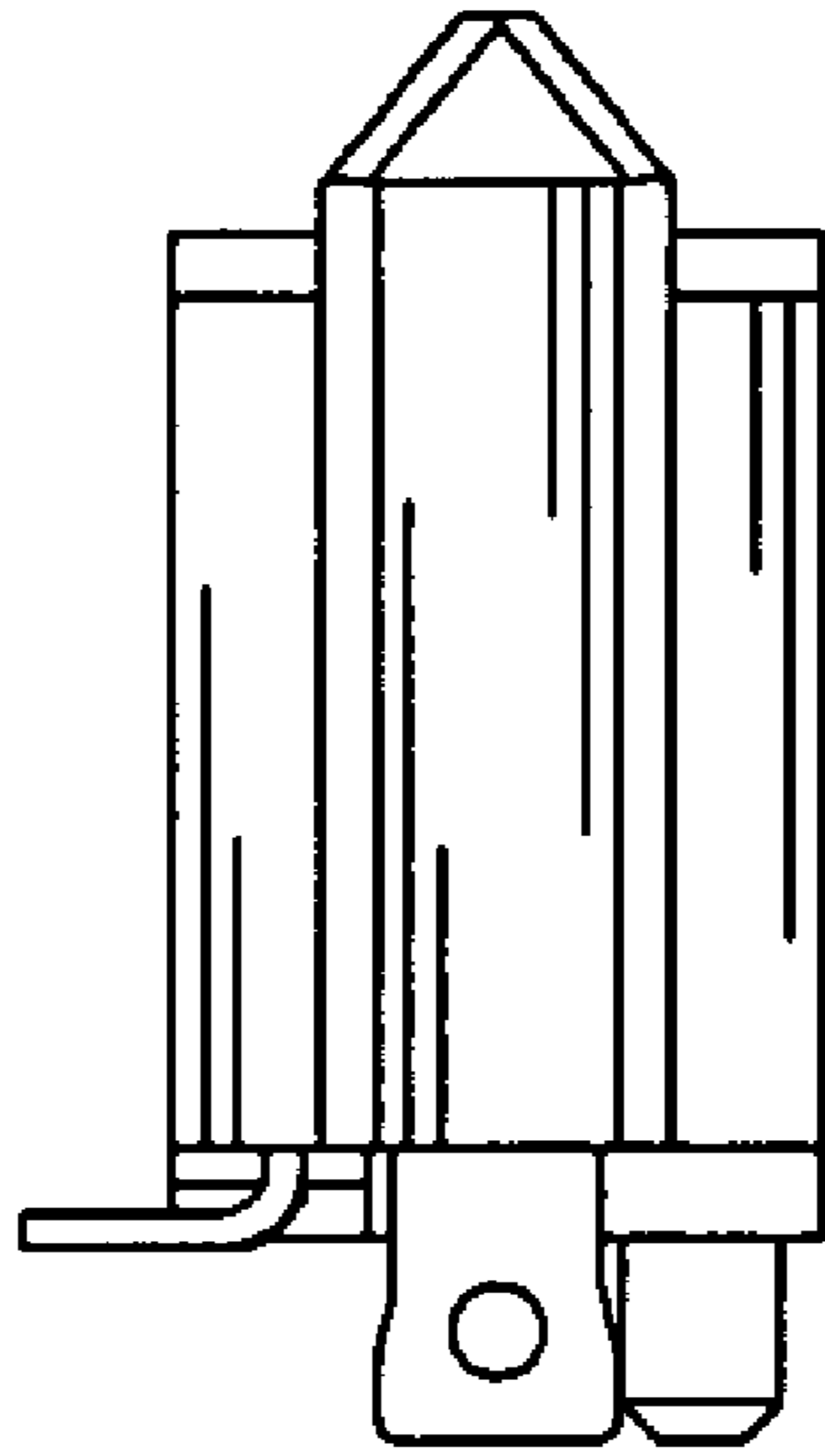


FIG. 5

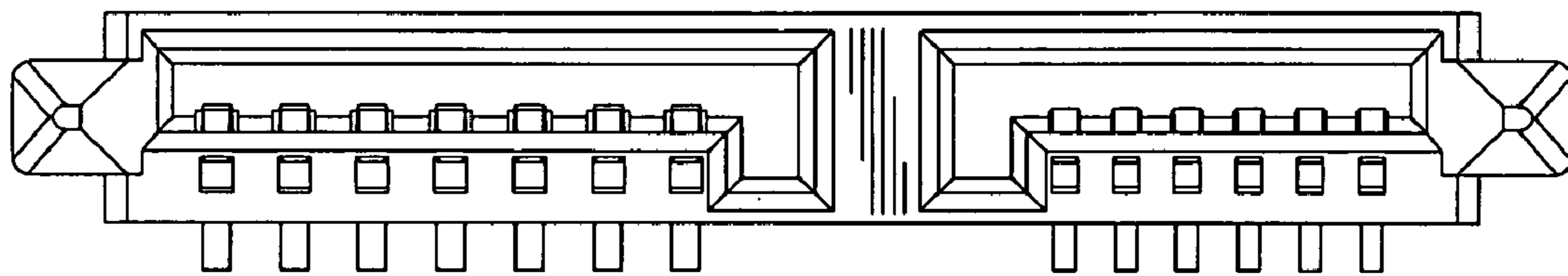


FIG. 6

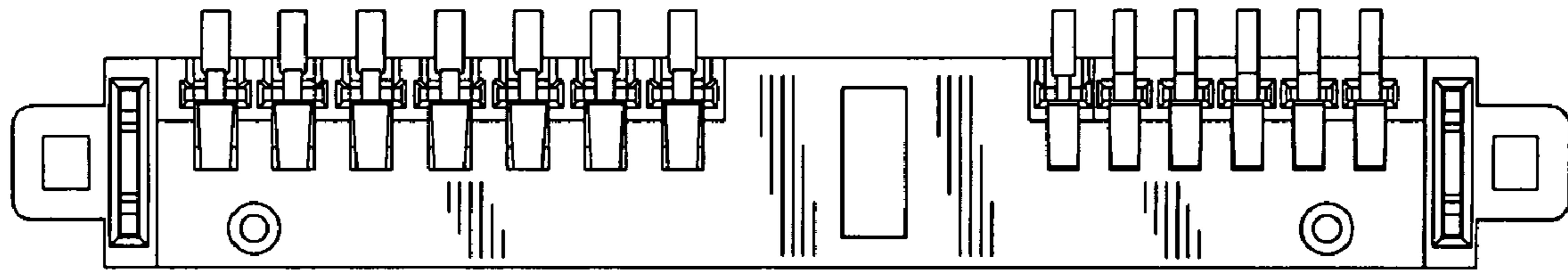


FIG. 7