

US00D595232S

(12) **United States Design Patent**
Mao et al.

(10) **Patent No.:** **US D595,232 S**
(45) **Date of Patent:** **** Jun. 30, 2009**

(54) **ELECTRICAL CONNECTOR**

D525,940 S * 8/2006 Zhang et al. D13/147

(75) Inventors: **Yu-Hua Mao**, Kunshan (CN); **Zhi-Hong Fang**, Kunshan (CN)

* cited by examiner

Primary Examiner—Daniel D Bui
(74) *Attorney, Agent, or Firm*—Wei Te Chung

(73) Assignee: **Hon Hai Precision Ind. Co., Ltd**, Taipei Hsien (TW)

(**) Term: **14 Years**

(57) **CLAIM**

The ornamental design for an electrical connector, as shown and described.

(21) Appl. No.: **29/308,586**

(22) Filed: **Jun. 23, 2008**

DESCRIPTION

(30) **Foreign Application Priority Data**

Dec. 21, 2007 (CN) 2007 3 0296905

FIG. 1 is a front, top and right side perspective view of an electrical connector showing our new design;

FIG. 2 is a front elevational view thereof;

FIG. 3 is a rear elevational view thereof;

FIG. 4 is a left side elevational view thereof;

FIG. 5 is a right side elevational view thereof;

FIG. 6 is a top plan view thereof;

FIG. 7 is a bottom plan view thereof; and,

FIG. 8 is a rear, top and left side perspective view illustrating the using state of the electrical connector.

The broken line portion of the figure drawings is included to show unclaimed subject matter only and forms no part of the claimed design.

(51) **LOC (9) Cl.** **13-03**

(52) **U.S. Cl.** **D13/147**

(58) **Field of Classification Search** D13/147,
D13/154, 184; 439/79, 95, 607-610, 660,
439/686

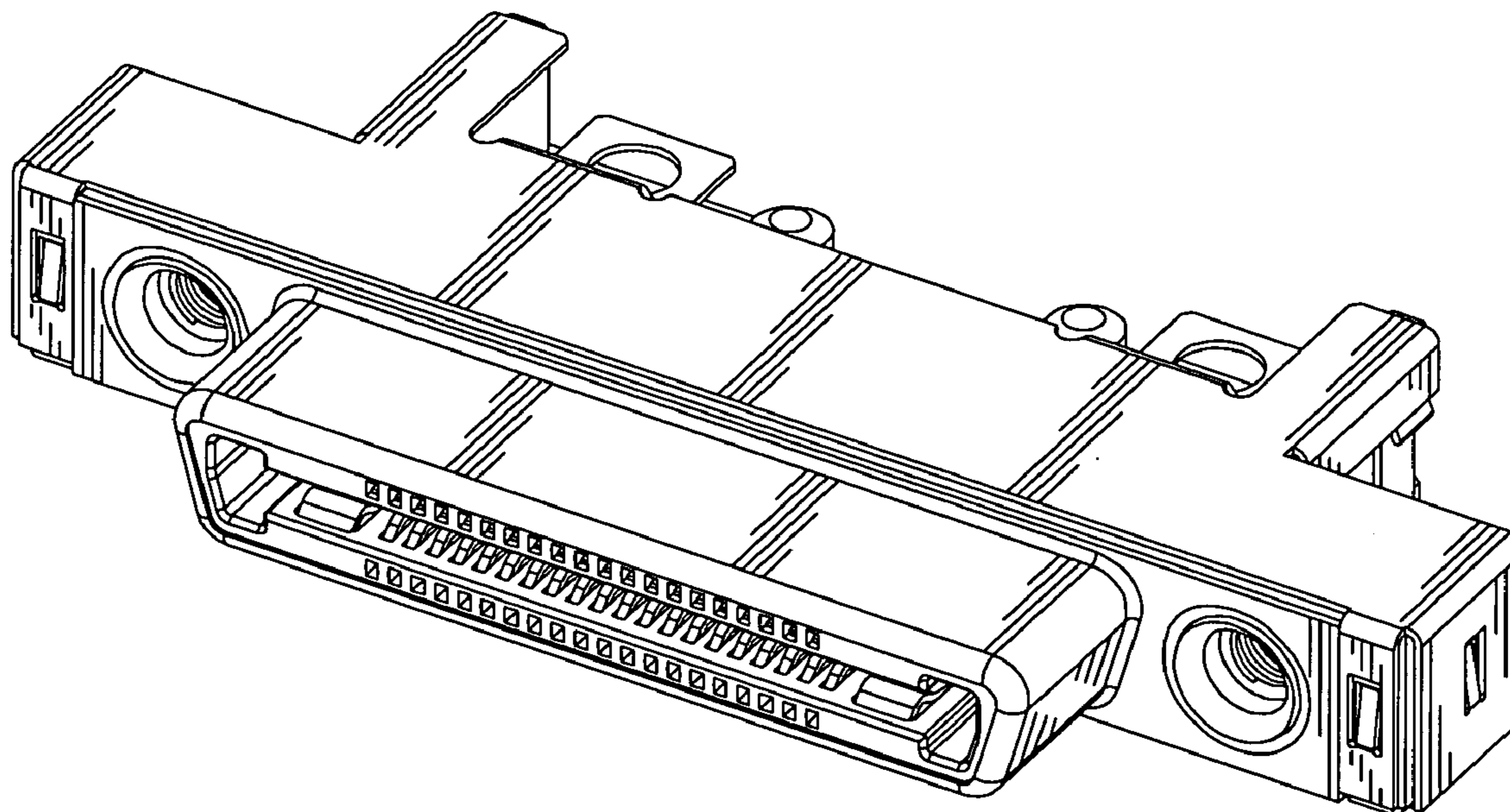
See application file for complete search history.

(56) **References Cited**

U.S. PATENT DOCUMENTS

- D313,007 S * 12/1990 Nakamura D13/147
- D410,897 S * 6/1999 Huang D13/147
- D517,493 S * 3/2006 Katoh D13/147
- D519,081 S * 4/2006 Katoh D13/147

1 Claim, 8 Drawing Sheets



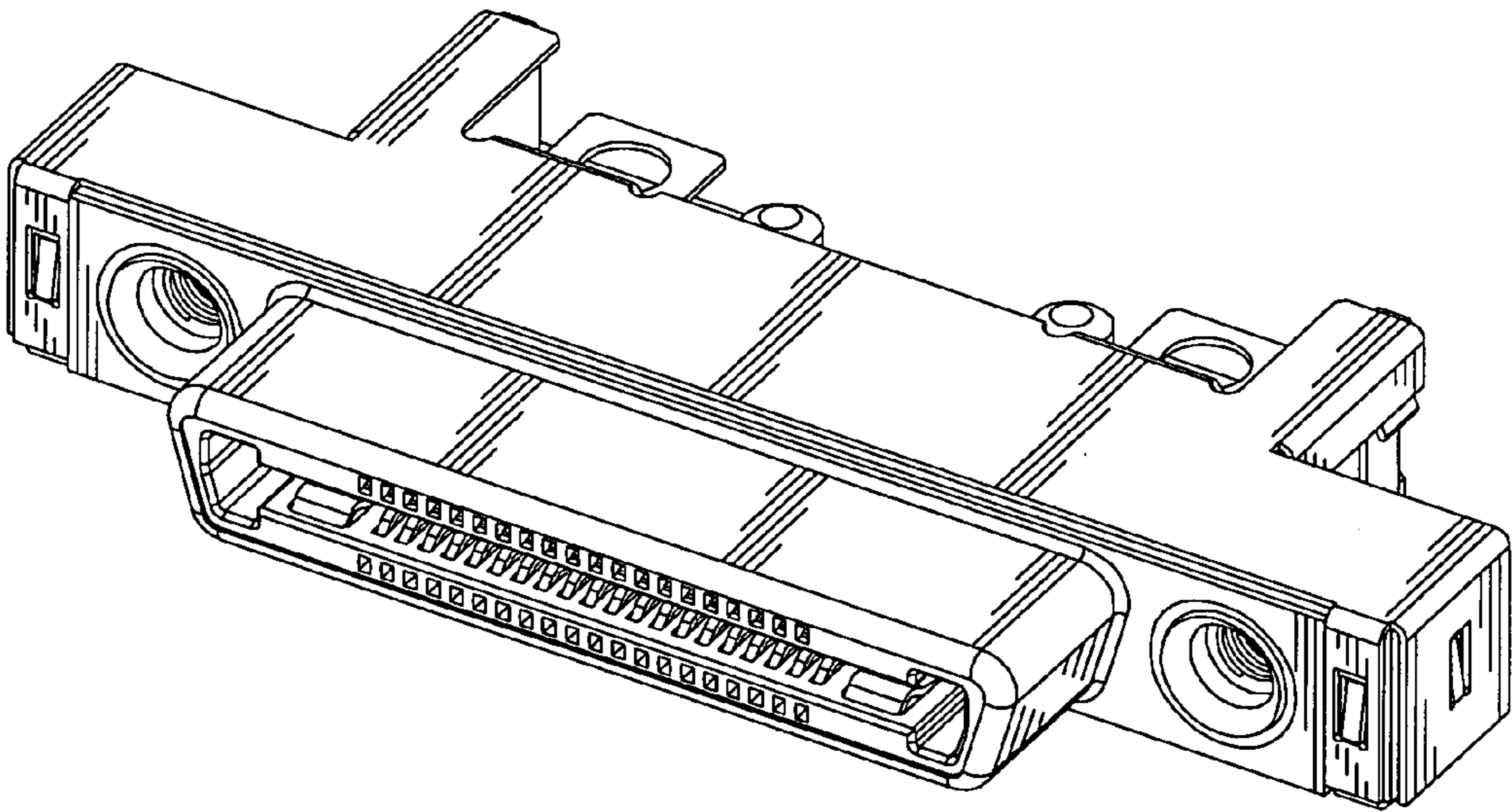


FIG. 1

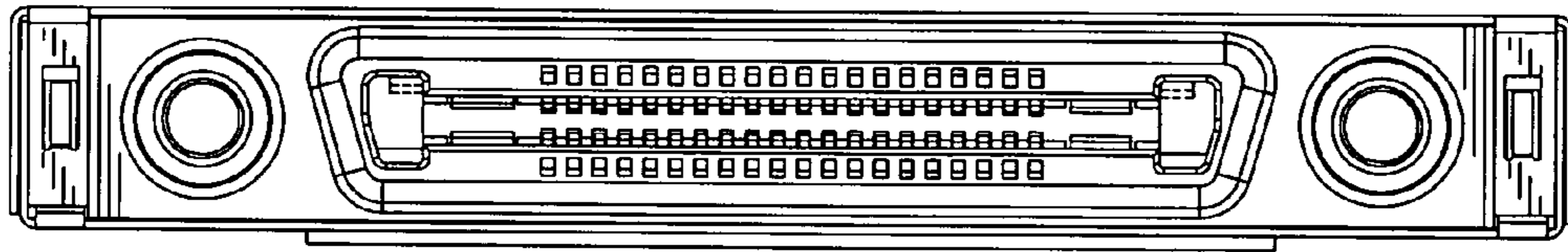


FIG. 2

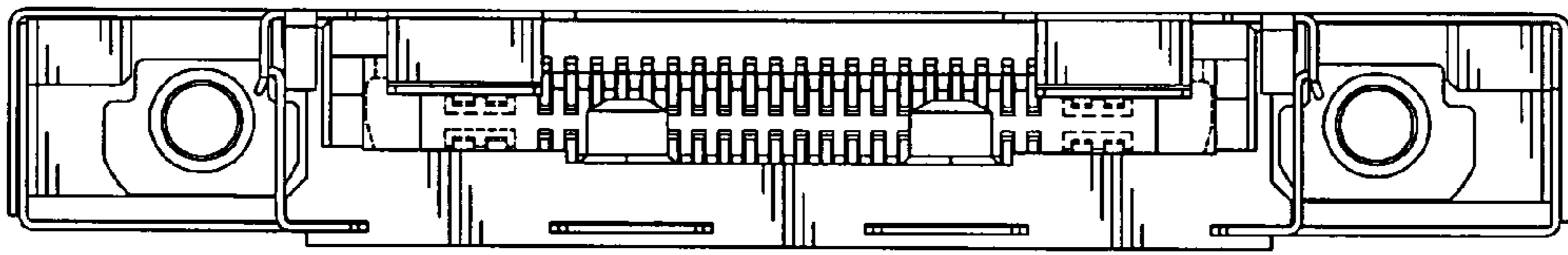


FIG. 3

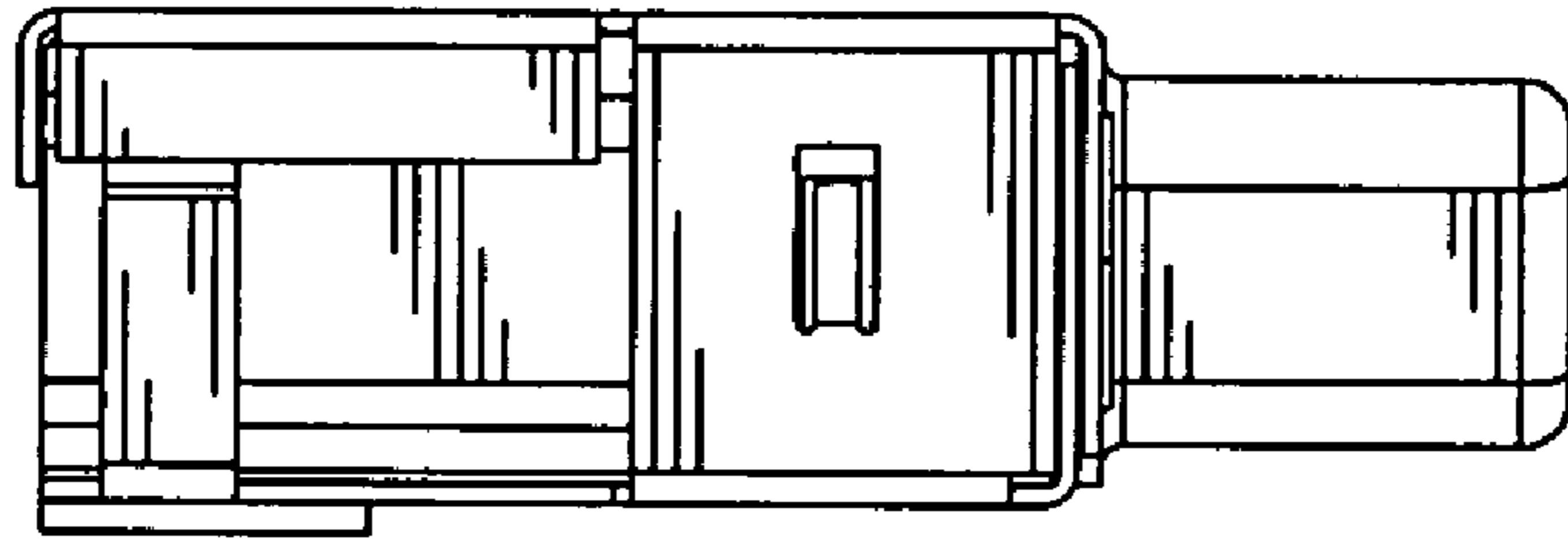


FIG. 4

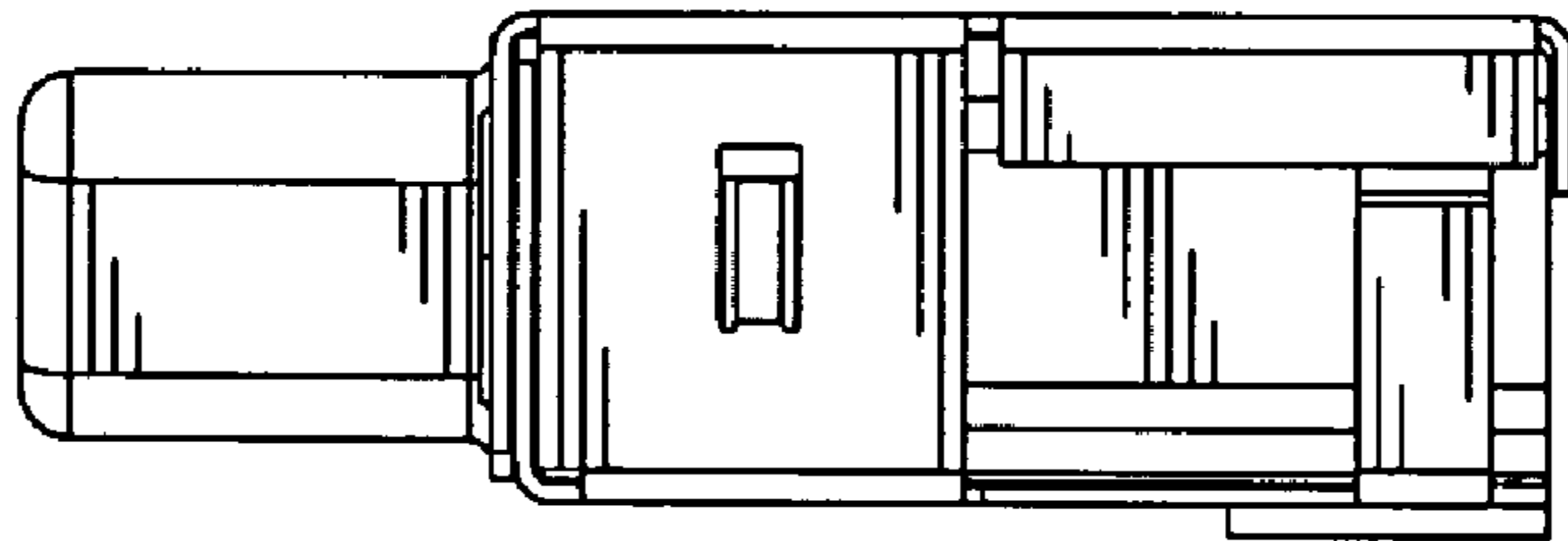


FIG. 5

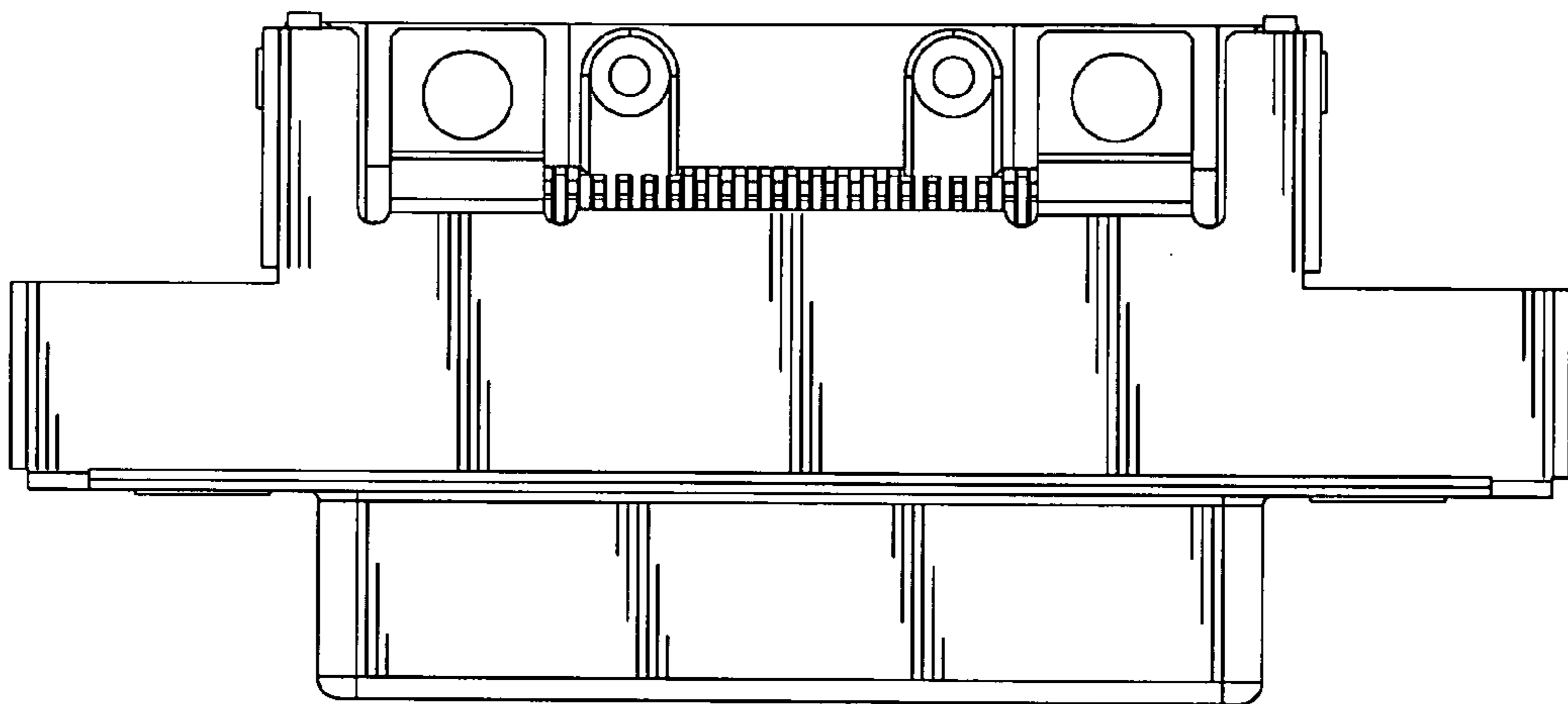


FIG. 6

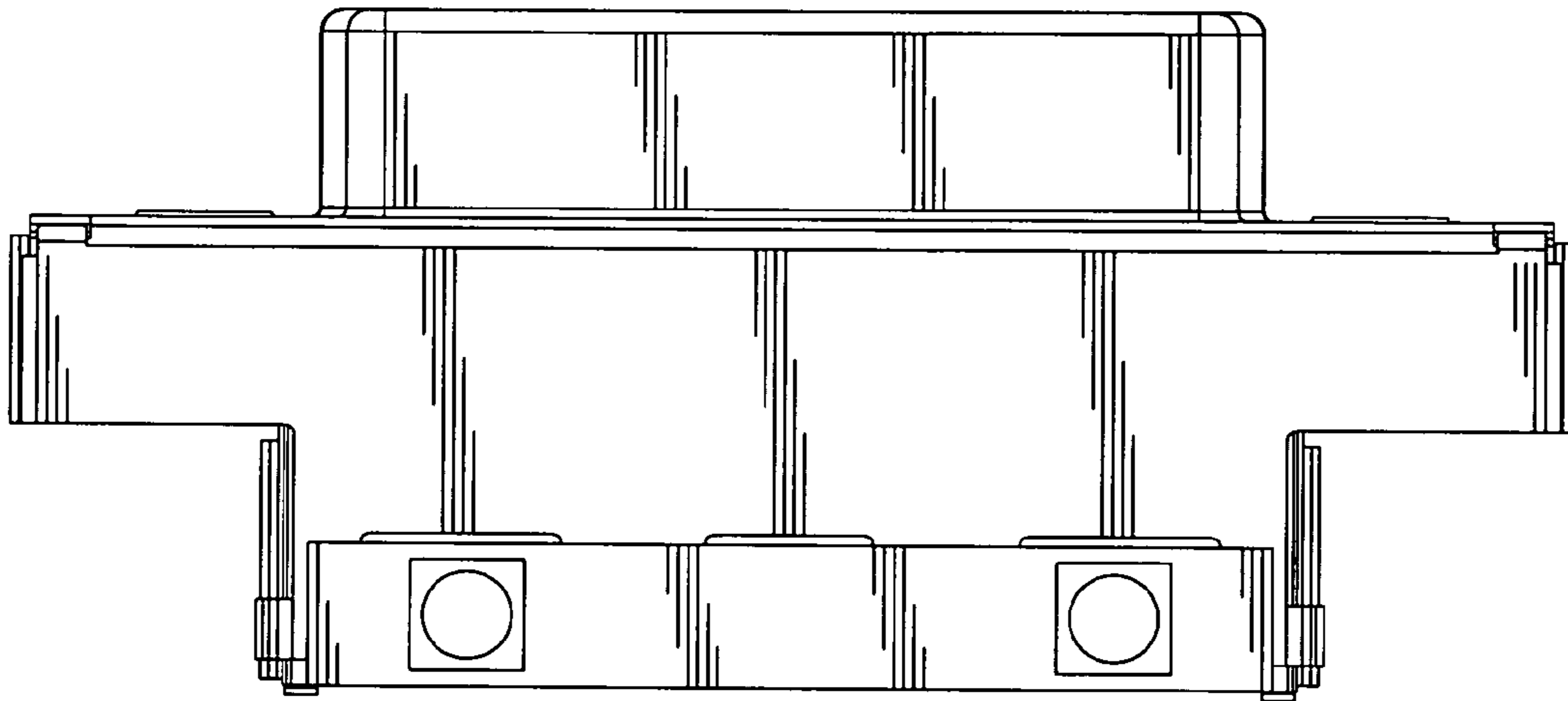


FIG. 7

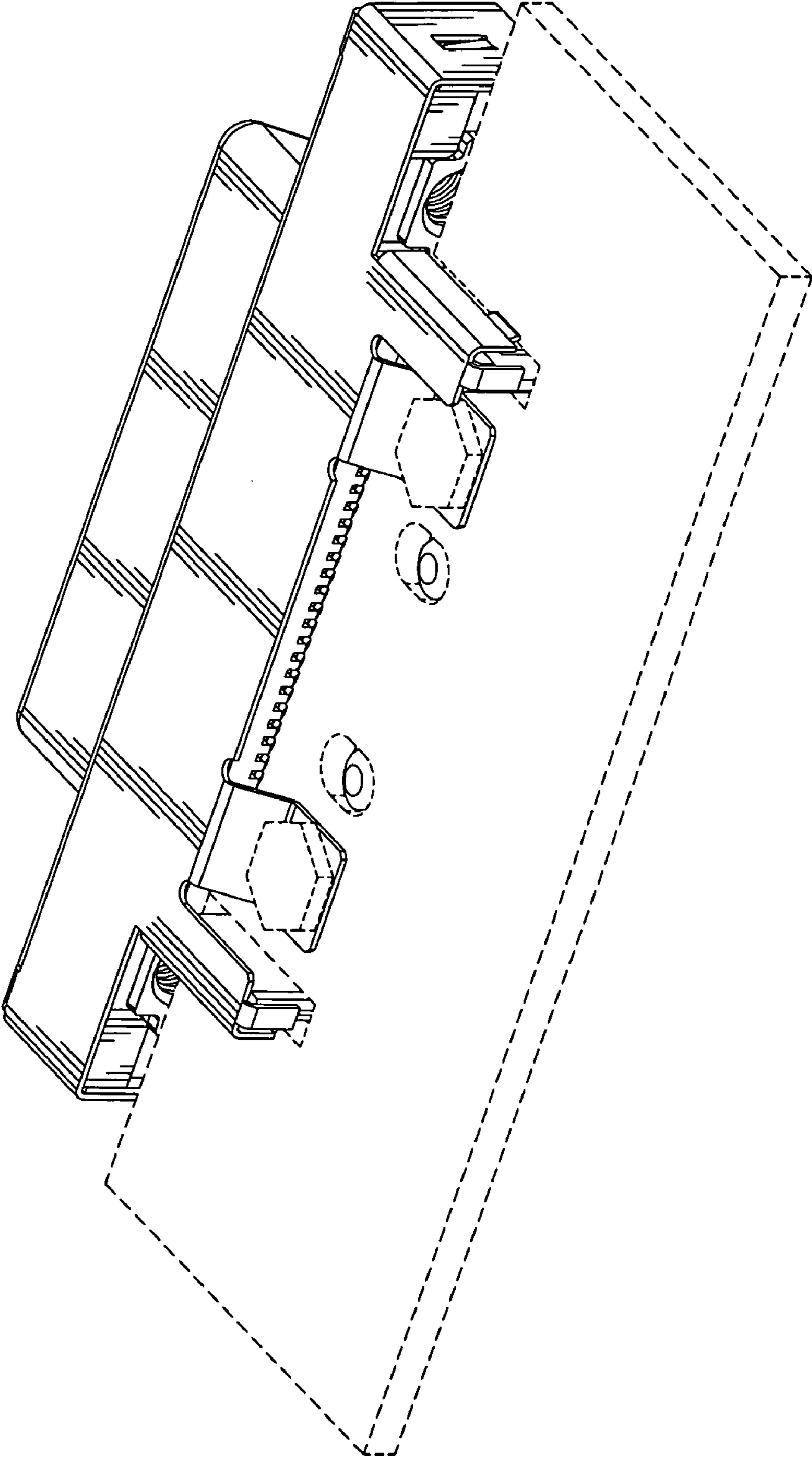


FIG. 8