



US00D595231S

(12) **United States Design Patent**
Xu et al.

(10) **Patent No.:** **US D595,231 S**
(45) **Date of Patent:** **** Jun. 30, 2009**

(54) **CABLE CONNECTOR ASSEMBLY**
(75) Inventors: **Bin Xu**, Kunshan (CN); **Su-Feng Liu**,
Kunshan (CN); **Chin-Te Lai**, Tu-Cheng
(TW)

D476,955 S * 7/2003 Ushiro et al. D13/147
D476,956 S * 7/2003 Sukegawa et al. D13/147
D519,081 S * 4/2006 Katoh D13/147
D558,680 S * 1/2008 Chen et al. D13/154

(73) Assignee: **Hon Hai Precision Ind. Co., Ltd.**,
Taipei Hsien (TW)

* cited by examiner

Primary Examiner—Daniel D Bui
(74) *Attorney, Agent, or Firm*—Wei Te Chung

(**) Term: **14 Years**

(57) **CLAIM**

(21) Appl. No.: **29/308,039**

The ornamental design for a cable connector assembly, as shown described.

(22) Filed: **May 23, 2008**

(30) **Foreign Application Priority Data**
Nov. 26, 2007 (CN) 2007 3 0195007

DESCRIPTION

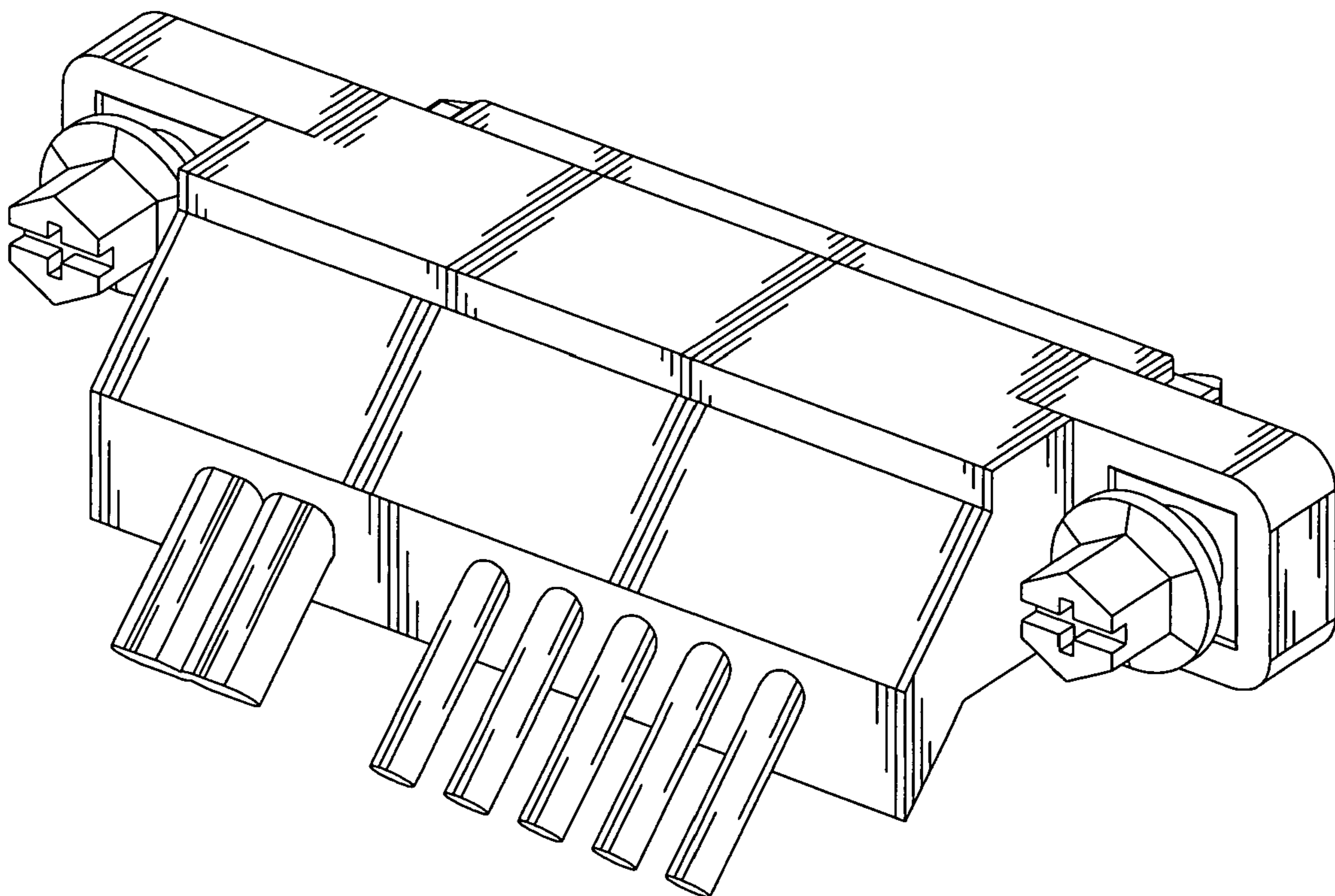
(51) **LOC (9) Cl.** **13-03**
(52) **U.S. Cl.** **D13/147**
(58) **Field of Classification Search** D13/146–147,
D13/154, 184; 439/78–79, 564, 573, 607–610,
439/650, 677, 680, 682, 686
See application file for complete search history.

FIG. 1 is a front, top and right side perspective view of a cable connector assembly showing our new design;
FIG. 2 is a front elevation view of FIG. 1;
FIG. 3 is a rear elevation view of FIG. 1;
FIG. 4 is a left side elevation view of FIG. 1;
FIG. 5 is a right side elevation view of FIG. 1;
FIG. 6 is a top plan view of FIG. 1; and,
FIG. 7 is a bottom plan view of FIG. 1.

The broken line portion in FIG. 3 drawing view is included to show unclaimed subject matter only and forms no part of the claimed design.

(56) **References Cited**
U.S. PATENT DOCUMENTS
D313,007 S * 12/1990 Nakamura D13/147
D412,700 S * 8/1999 Gardner et al. D13/147
D453,500 S * 2/2002 Nakatomi D13/147

1 Claim, 7 Drawing Sheets



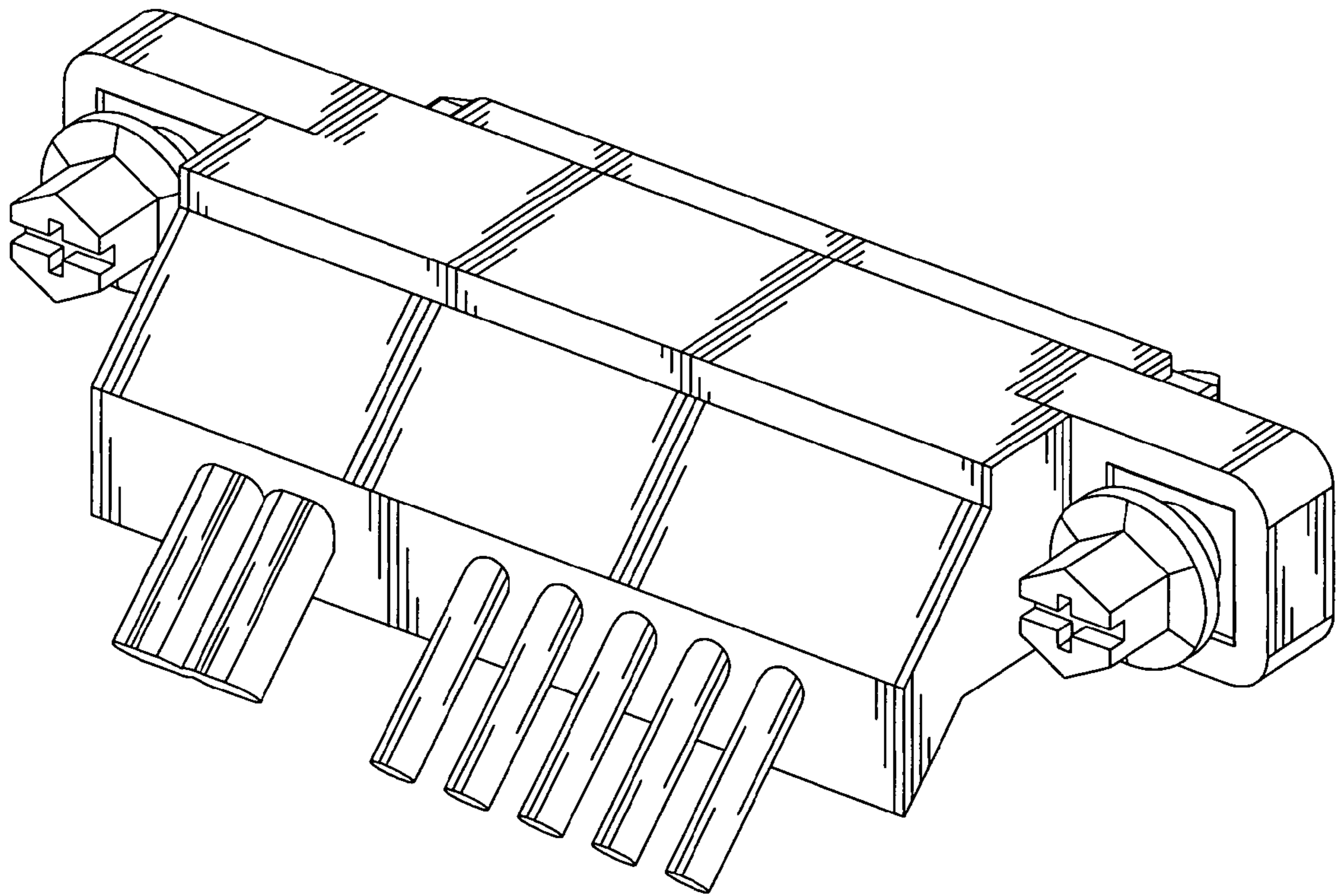


FIG. 1

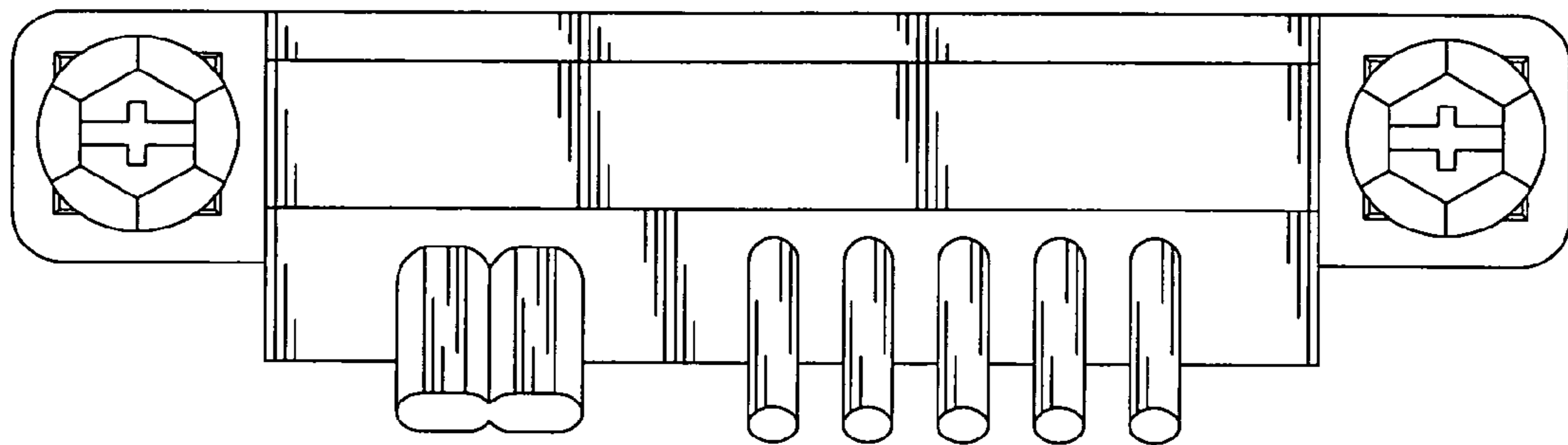


FIG. 2

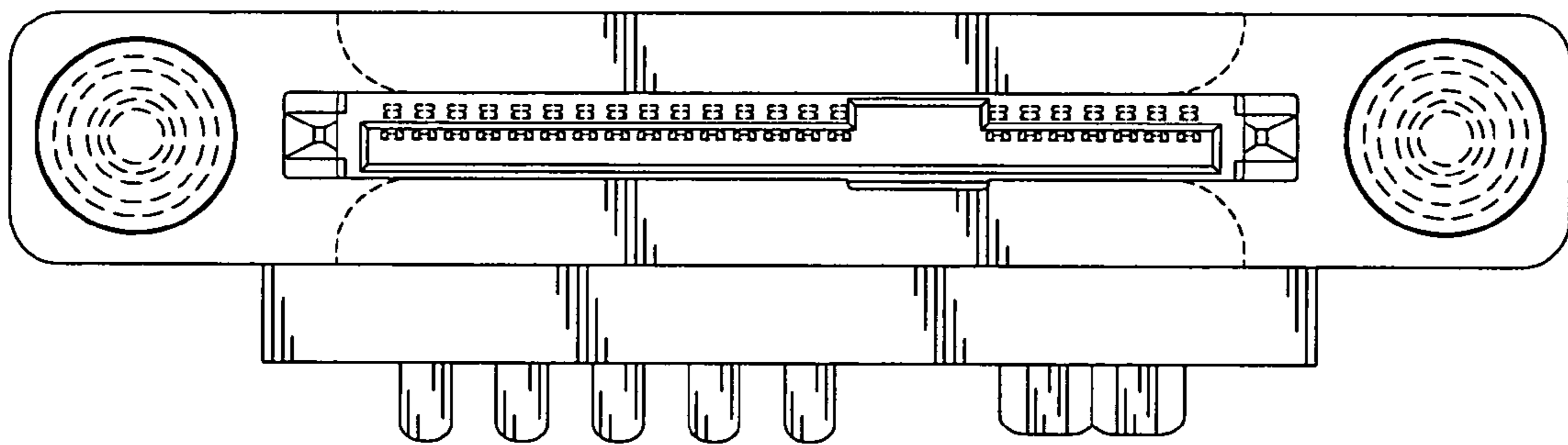


FIG. 3

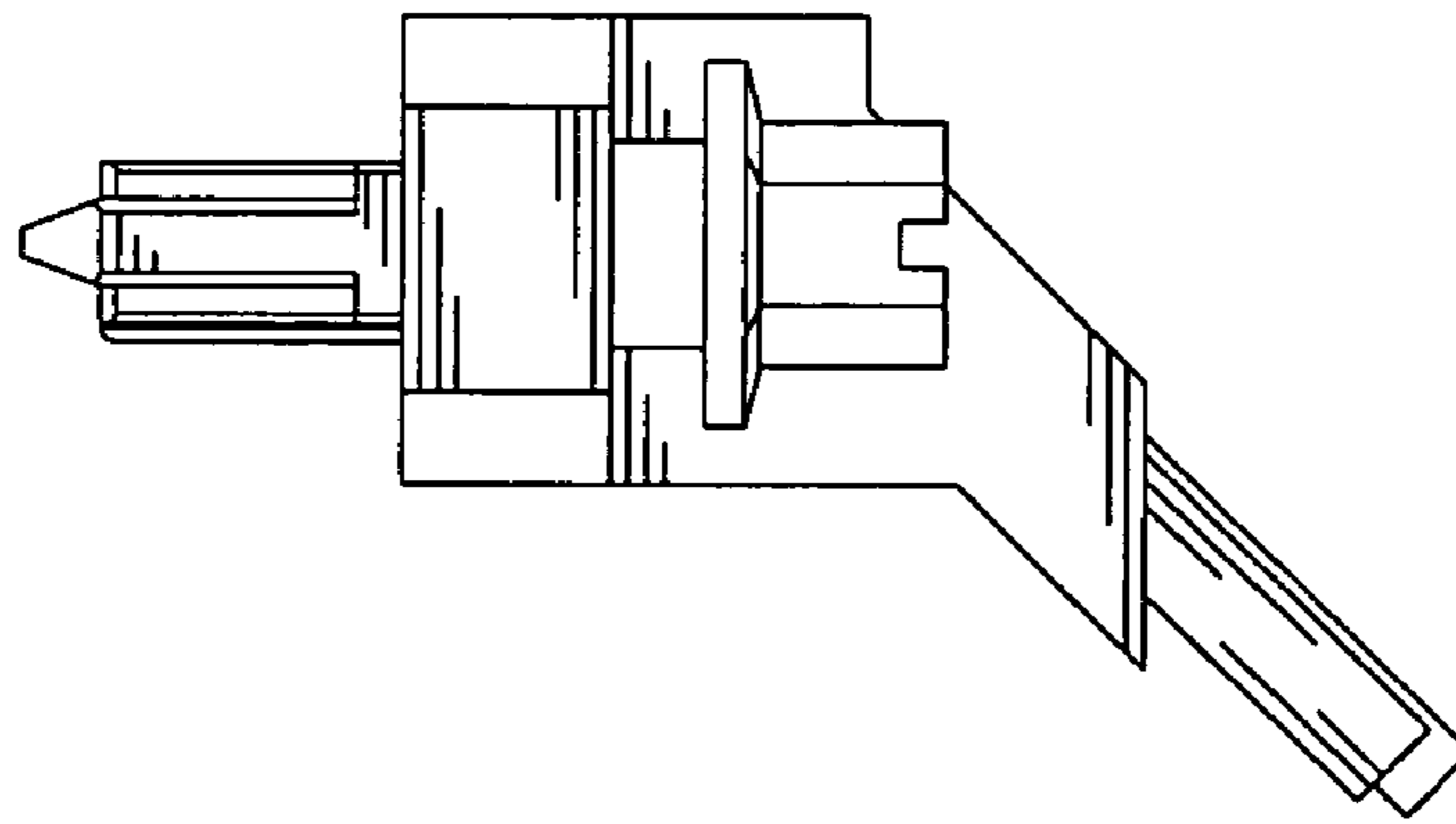


FIG. 4

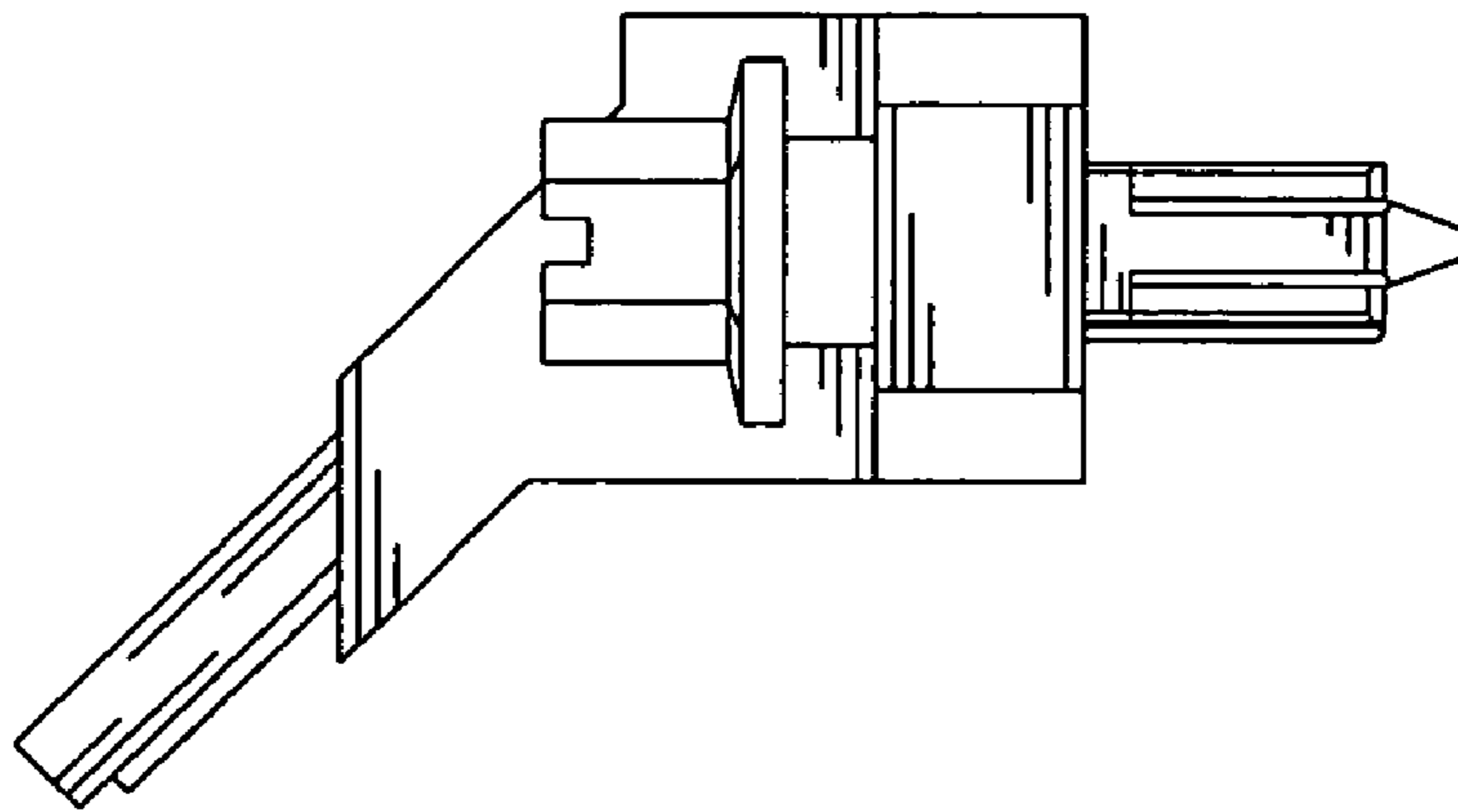


FIG. 5

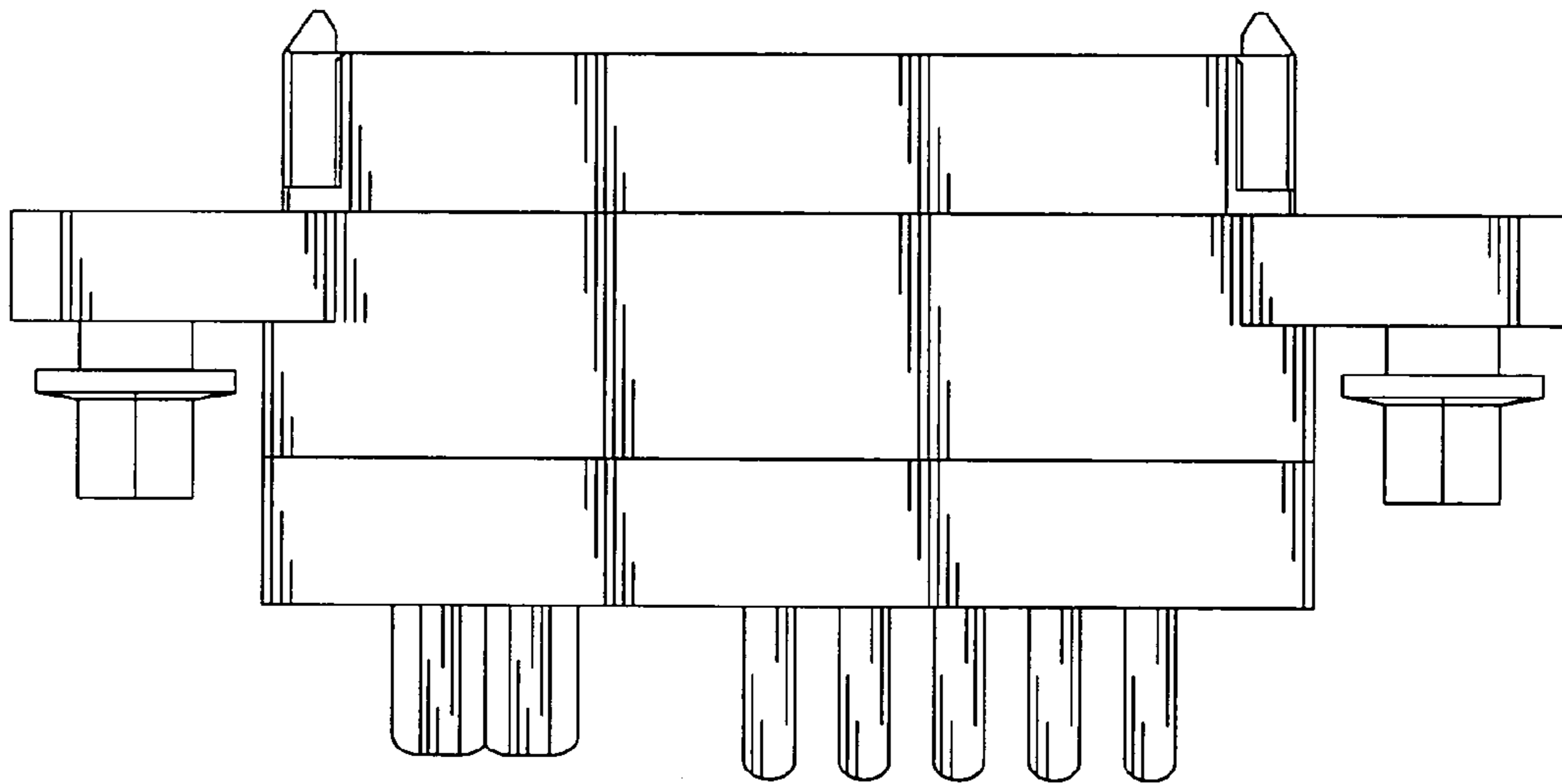


FIG. 6

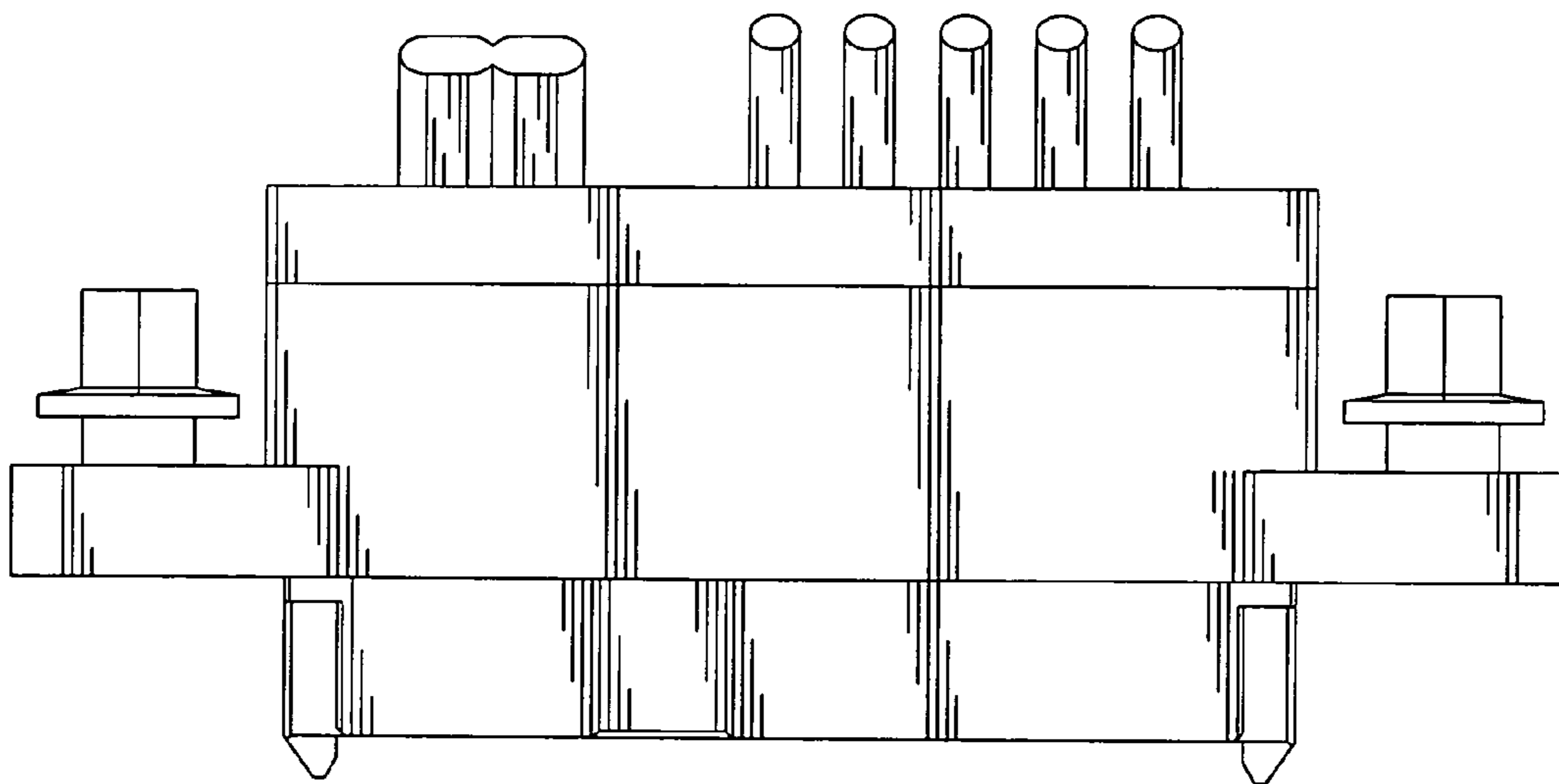


FIG. 7