



US00D595228S

(12) **United States Design Patent**  
**Huang**

(10) **Patent No.:** **US D595,228 S**  
(45) **Date of Patent:** **\*\* Jun. 30, 2009**

(54) **ADAPTER**

(75) Inventor: **Wen-Hung Huang**, Taipei County (TW)

(73) Assignee: **Hanspree, Inc.**, Taipei (TW)

(\*\*) Term: **14 Years**

(21) Appl. No.: **29/309,104**

(22) Filed: **Jun. 23, 2008**

(51) **LOC (9) Cl.** ..... **13-03**

(52) **U.S. Cl.** ..... **D13/133**

(58) **Field of Classification Search** ..... D13/110,  
D13/123, 133, 146, 147, 153, 154, 184, 199;  
439/325, 358, 502, 607-610, 680; D14/496;  
D21/333, 324, 385

See application file for complete search history.

(56) **References Cited**

**U.S. PATENT DOCUMENTS**

5,019,767	A *	5/1991	Shirai et al.	.....	320/112
D381,622	S *	7/1997	Gorton	.....	D13/110
D416,869	S *	11/1999	Tsai	.....	D13/153
D575,228	S *	8/2008	So	.....	D13/110
D576,947	S *	9/2008	Wu	.....	D13/133
2005/0009399	A1 *	1/2005	Ray	.....	439/502

\* cited by examiner

*Primary Examiner*—Daniel D Bui

*Assistant Examiner*—Thomas J Johannes

(74) *Attorney, Agent, or Firm*—Reed Smith LLP; Juan Carlos A. Marquez

(57) **CLAIM**

The ornamental design for an adapter, as shown and described.

**DESCRIPTION**

FIG. 1 is a front perspective view thereof;

FIG. 2 is a front elevational view thereof;

FIG. 3 is a rear elevational view thereof;

FIG. 4 is a left side elevational view thereof;

FIG. 5 is a right side elevational view thereof;

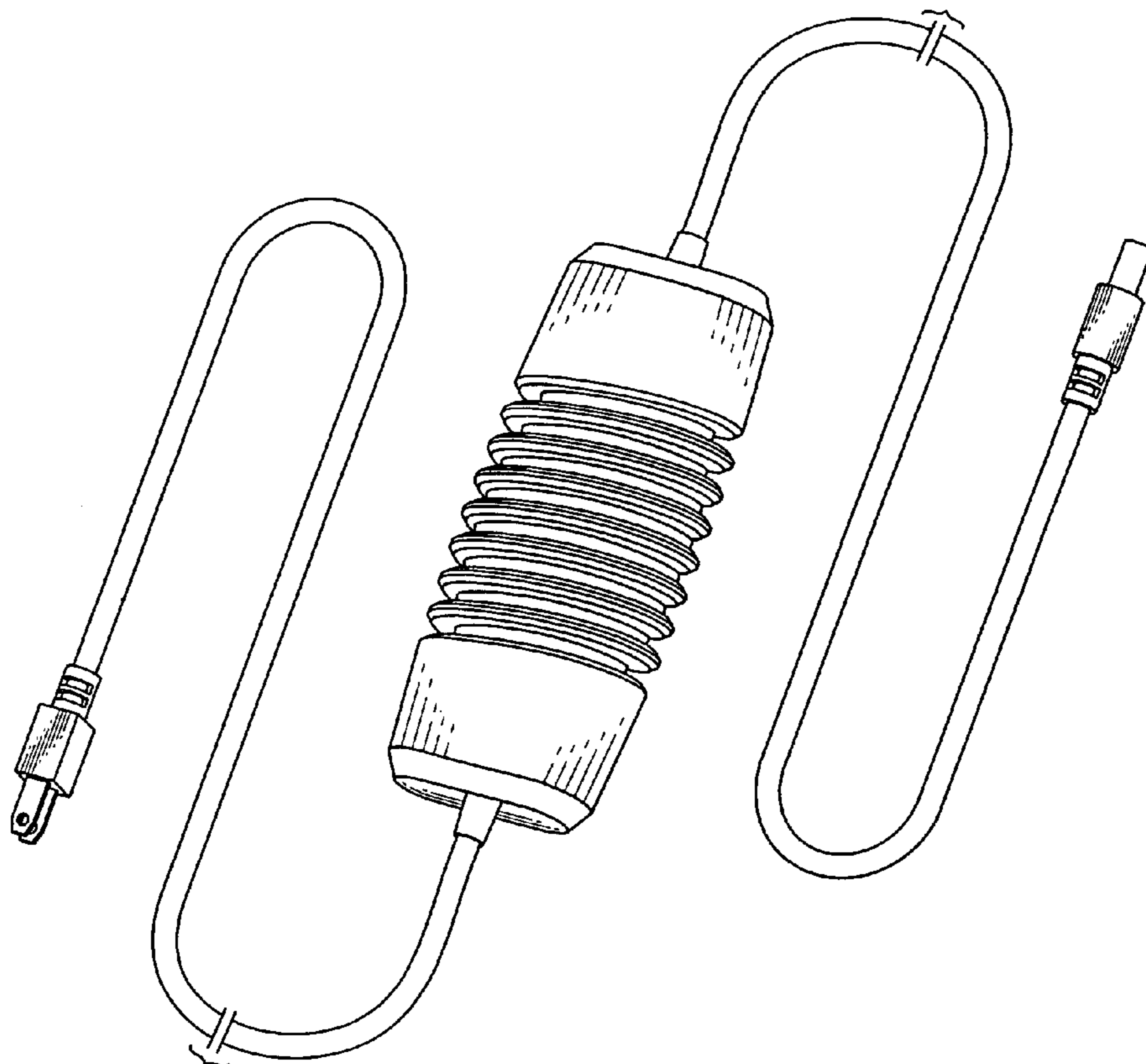
FIG. 6 is a top plan view thereof;

FIG. 7 is a bottom plan view thereof; and,

FIG. 8 is another elevational view.

The cable portions are shown broken away with solid, cut-off lines in all the figures to indicate that no specific length is being claimed - it is understood that the interrupted portions of the cables have a uniform shape and appearance throughout their length.

**1 Claim, 8 Drawing Sheets**



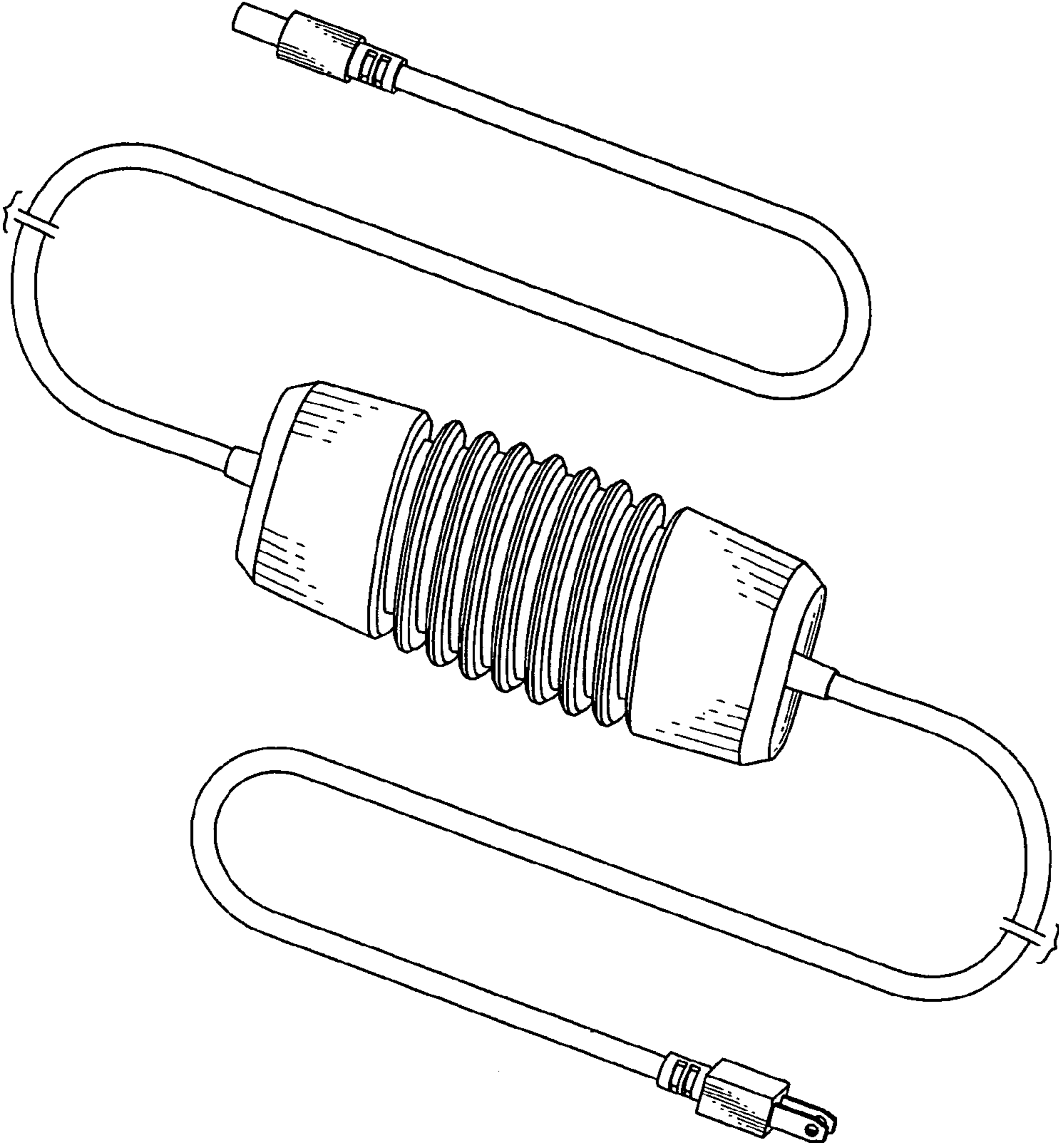


FIG. 1

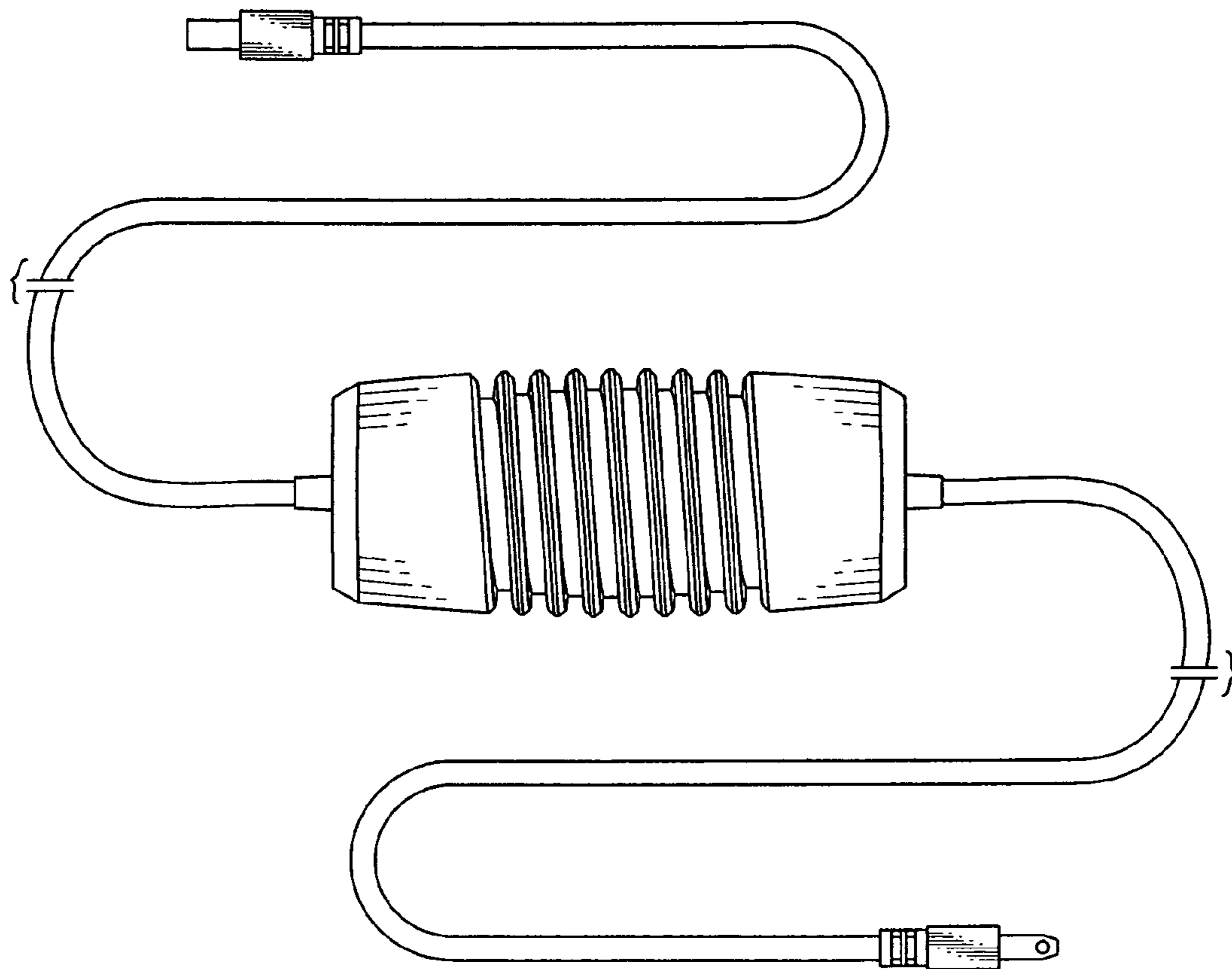


FIG. 2

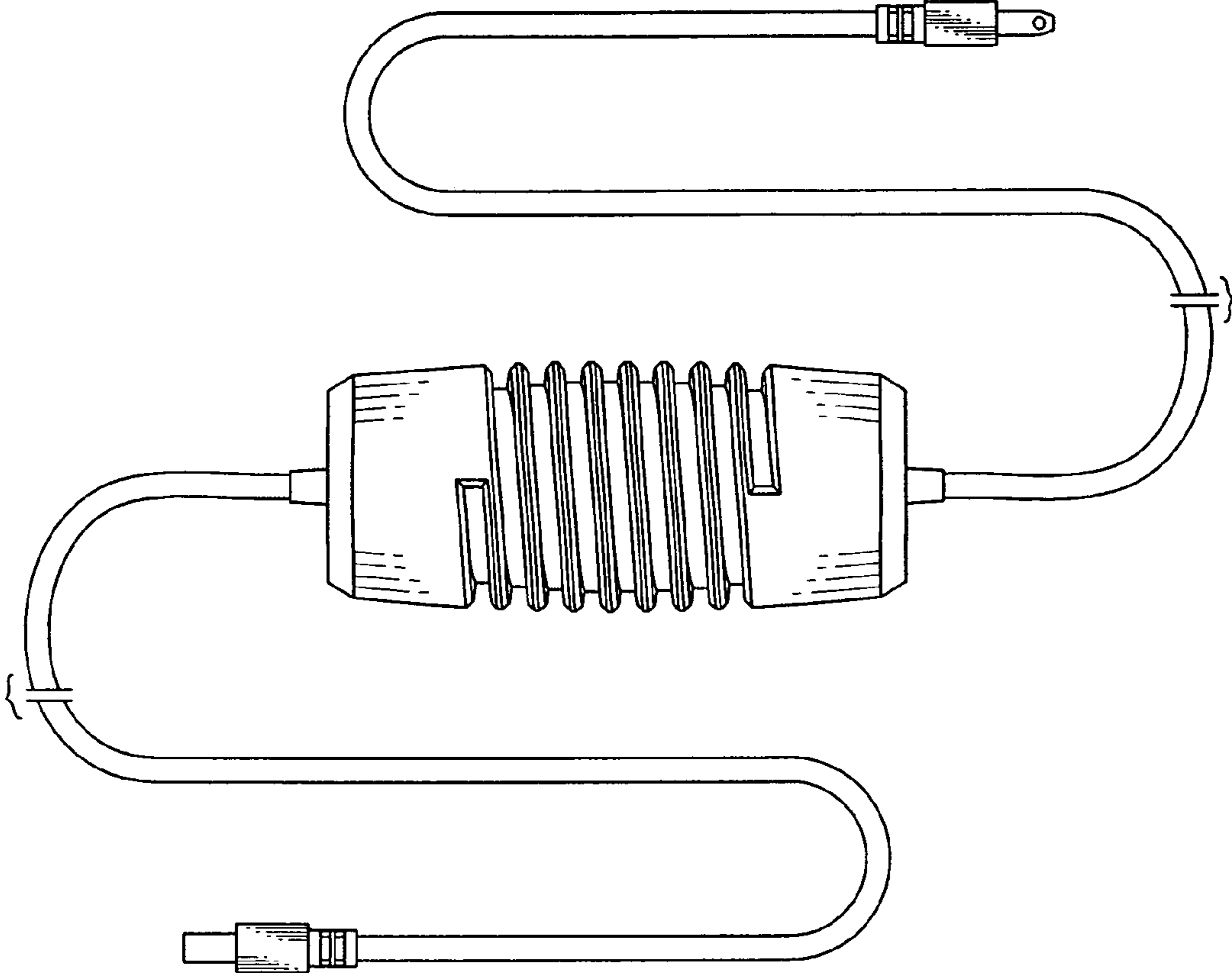


FIG. 3

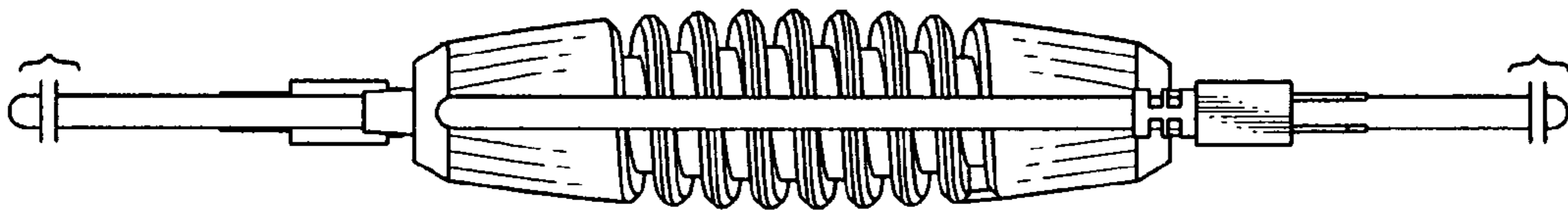


FIG. 4

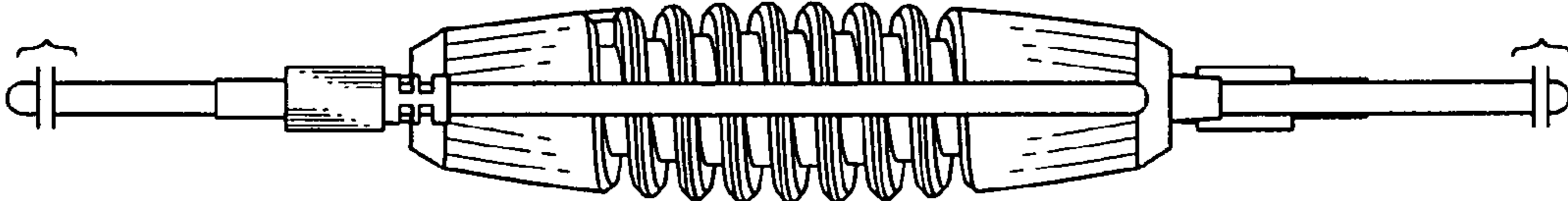


FIG. 5

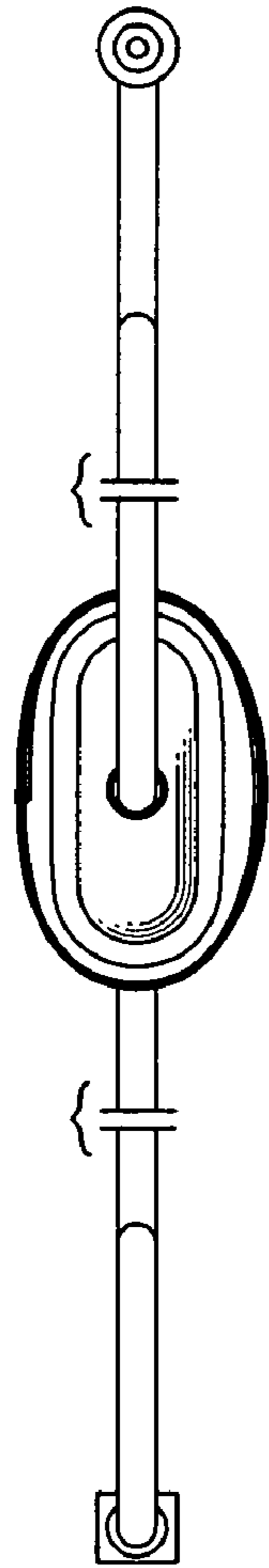


FIG. 6

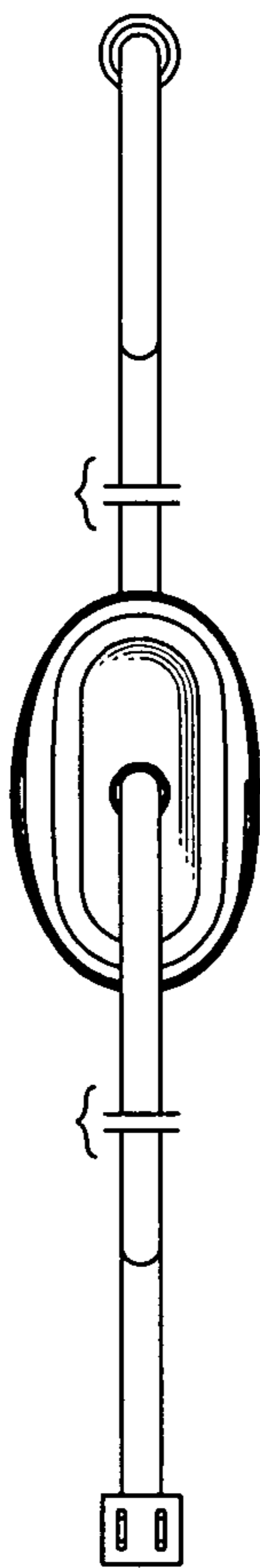


FIG. 7



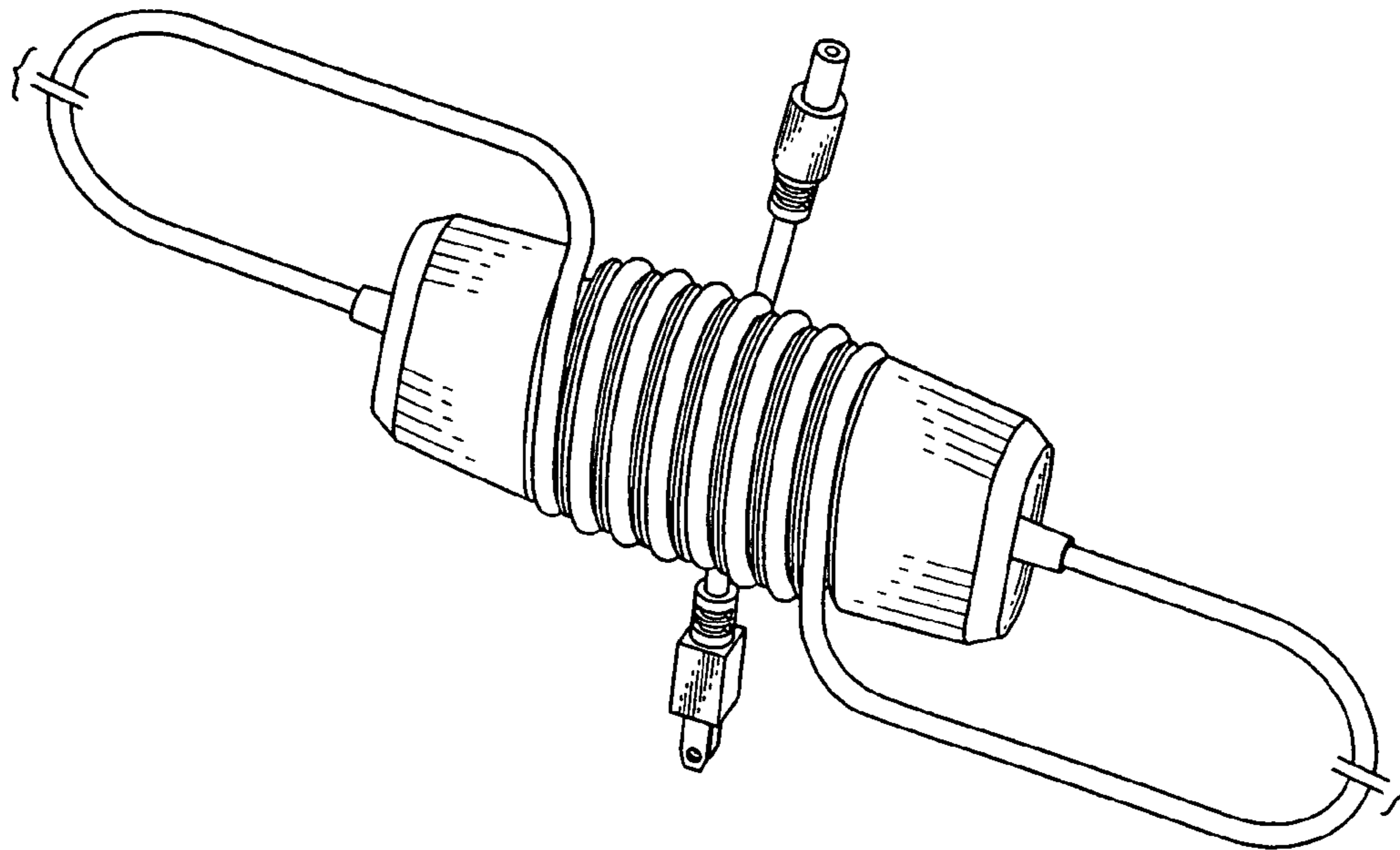


FIG. 8