

US00D595227S

(12) **United States Design Patent**
Hawkins

(10) **Patent No.:** **US D595,227 S**
(45) **Date of Patent:** **** Jun. 30, 2009**

(54) **GENERATOR FRAME**

(76) Inventor: **Bobby L. Hawkins**, 4 New Circle Rd.,
Travelers Rest, SC (US) 29690

(**) Term: **14 Years**

(21) Appl. No.: **29/318,365**

(22) Filed: **May 19, 2008**

Related U.S. Application Data

(62) Division of application No. 29/291,396, filed on Aug.
28, 2007, now Pat. No. Des. 572,659.

(51) **LOC (9) Cl.** **13-01**

(52) **U.S. Cl.** **D13/116**

(58) **Field of Classification Search** D13/116,
D13/112, 114, 122, 199; 290/1 A, 1 B; 307/150,
307/153; 310/50, 89, 158
See application file for complete search history.

(56) **References Cited**

U.S. PATENT DOCUMENTS

D138,383 S *	7/1944	Whitesell et al.	D13/110
D187,024 S	1/1960	Pastor	
D276,997 S	1/1985	Mikado	
D278,425 S	4/1985	Toshihiko	
D418,809 S	1/2000	Frank	
6,525,430 B1 *	2/2003	Asai et al.	290/1 A
D472,519 S	4/2003	Buck	
D489,327 S	5/2004	Imai	

6,750,556 B2	6/2004	Sodemann et al.	
D494,929 S *	8/2004	Imai	D13/116
D501,182 S	1/2005	Buck	
6,935,642 B1 *	8/2005	Craig et al.	280/47.24

OTHER PUBLICATIONS

U.S. Appl. No. 29/291,396, filed Aug. 28, 2007, Hawkins, Bobby L.
* cited by examiner

Primary Examiner—Prabhakar Deshmukh
Assistant Examiner—Derrick Holland
(74) *Attorney, Agent, or Firm*—J. Bennett Mullinax, LLC

(57) **CLAIM**

The ornamental design for a generator frame, as shown and described.

DESCRIPTION

FIG. 1 is a left side perspective view of a generator frame showing my new design;

FIG. 2 is a right side elevation view thereof;

FIG. 3 is a rear view thereof;

FIG. 4 is a left side elevation view thereof;

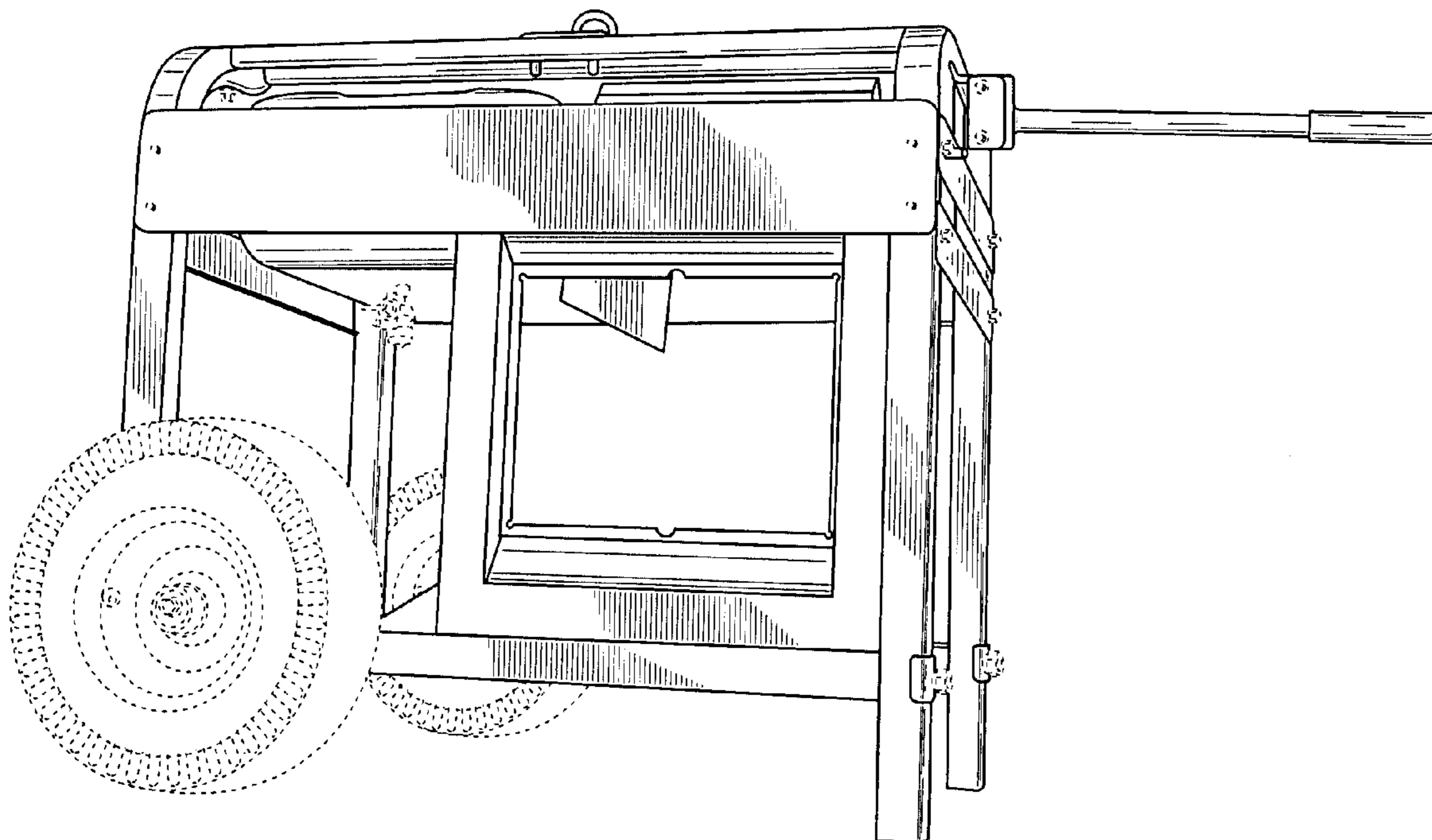
FIG. 5 is a front view thereof;

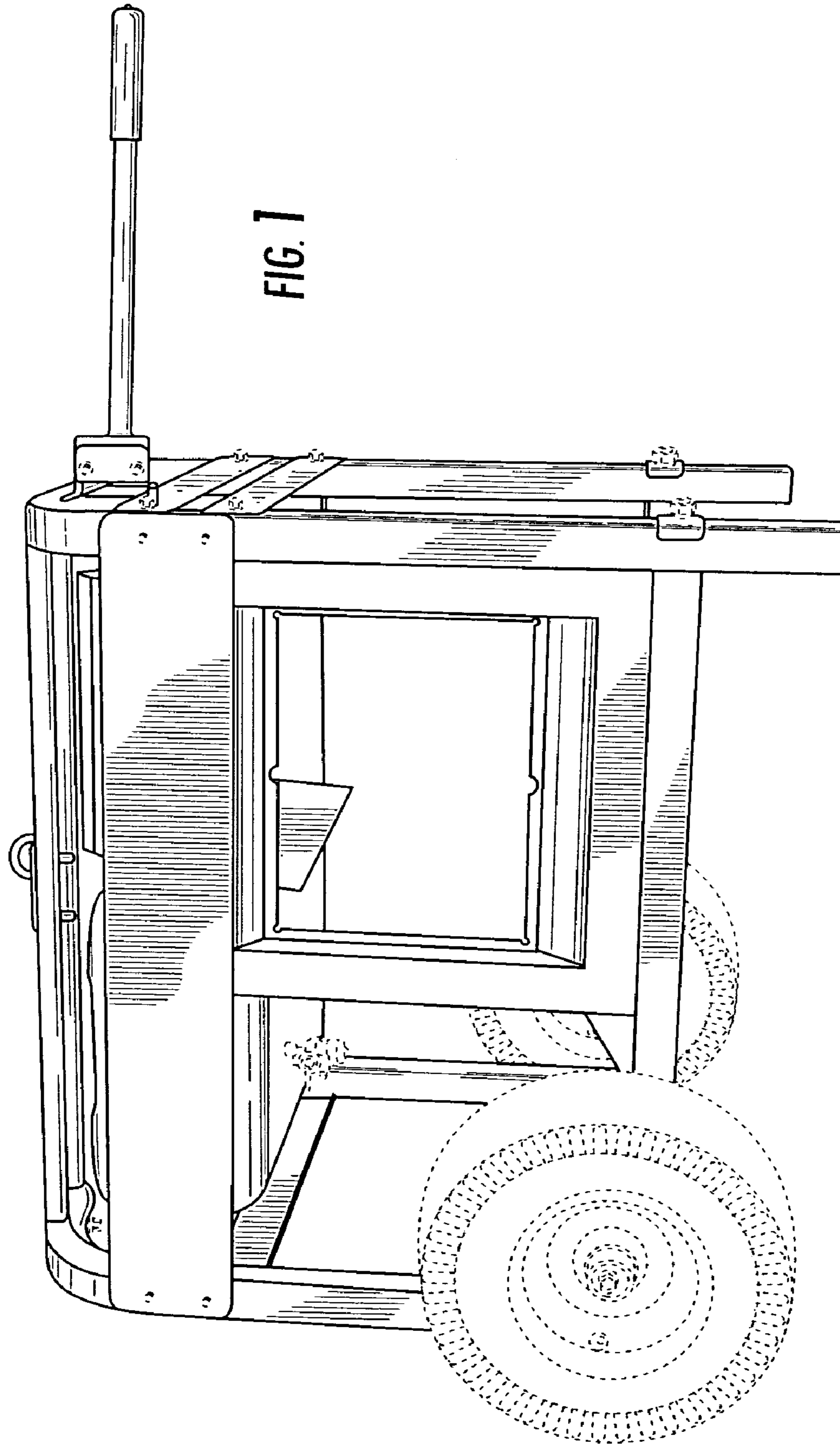
FIG. 6 is top plan view thereof; and,

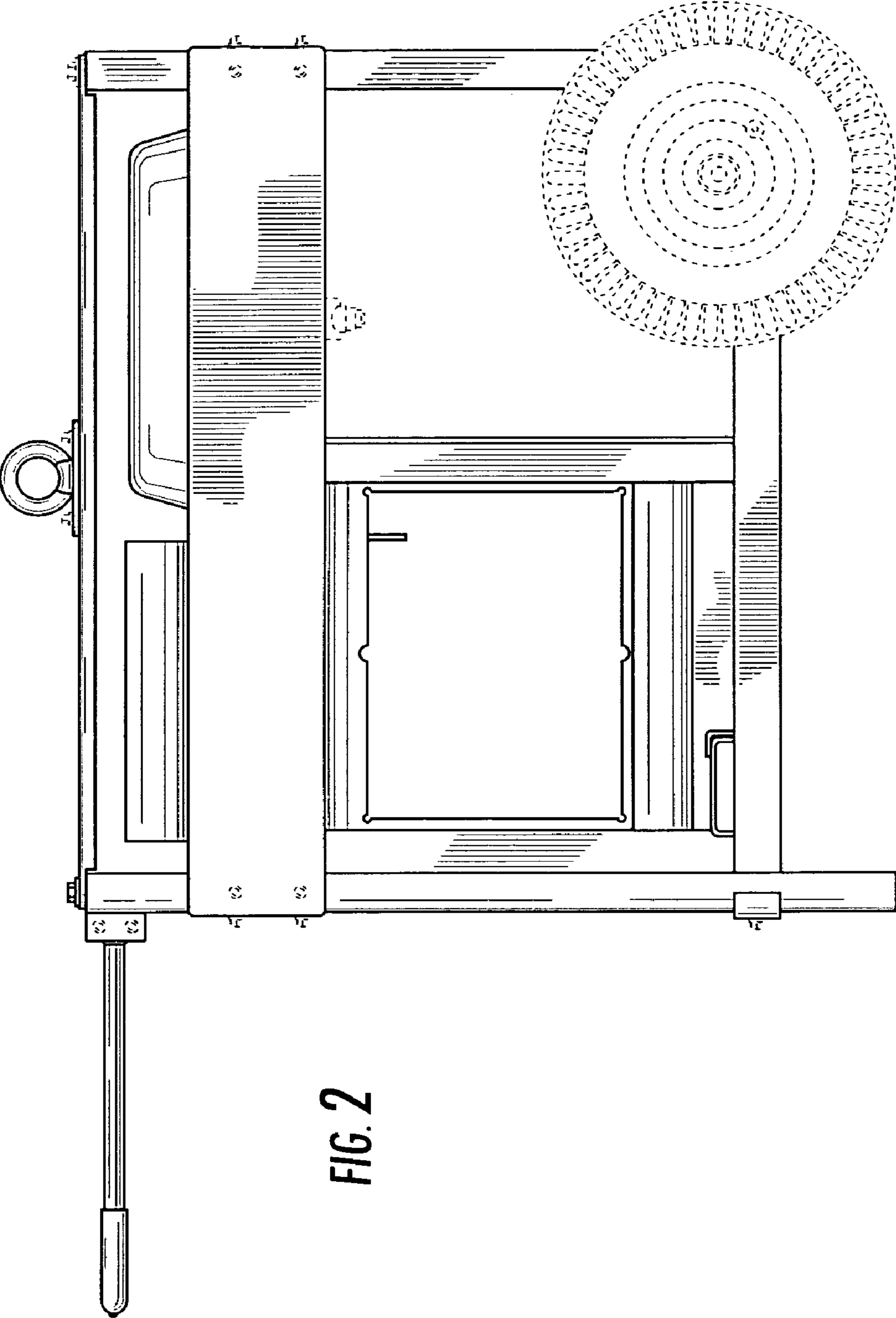
FIG. 7 is a bottom plan view thereof.

The broken lines showing represents unclaimed subject matter and forms no part of the claimed design

1 Claim, 7 Drawing Sheets







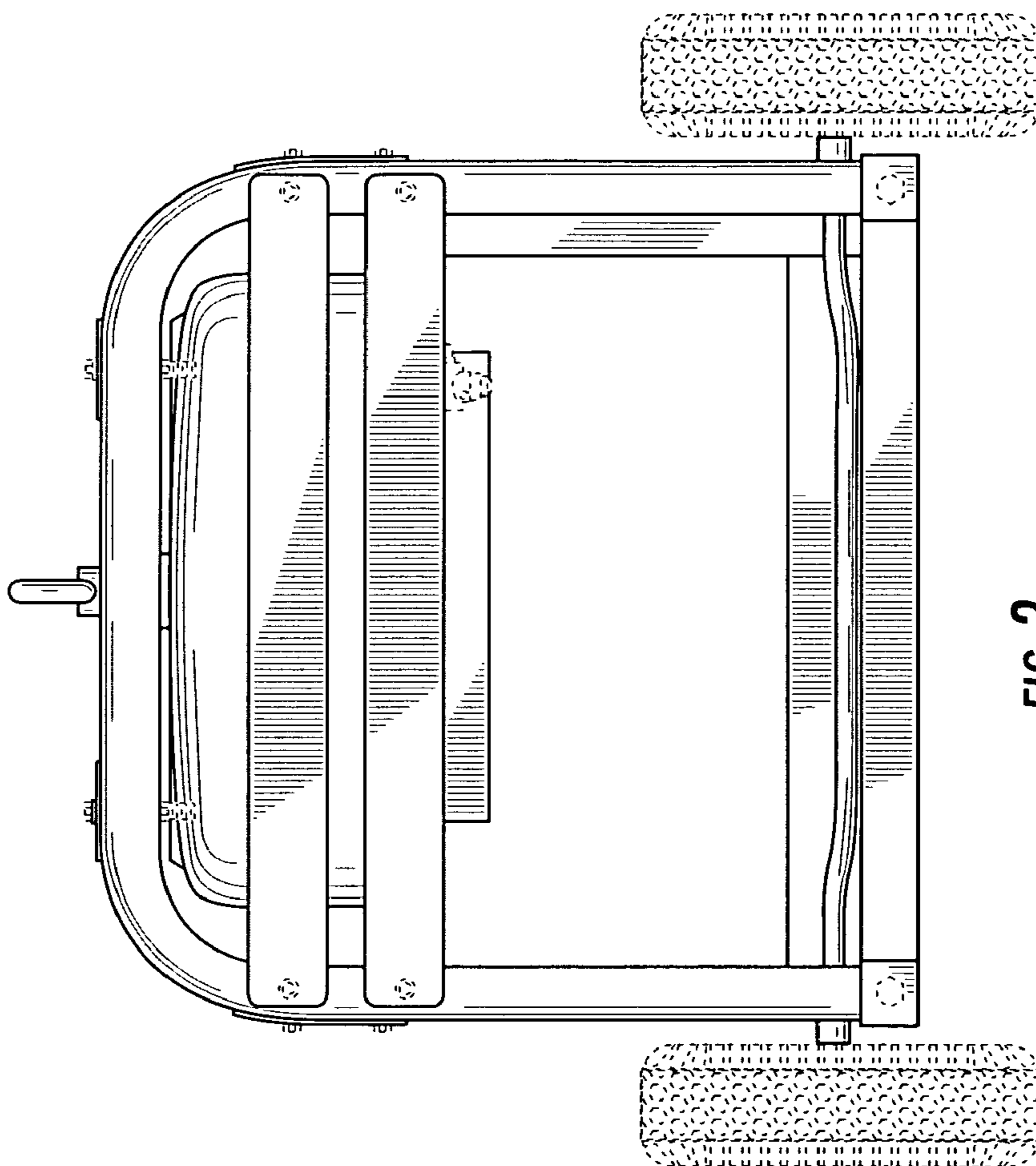


FIG. 3

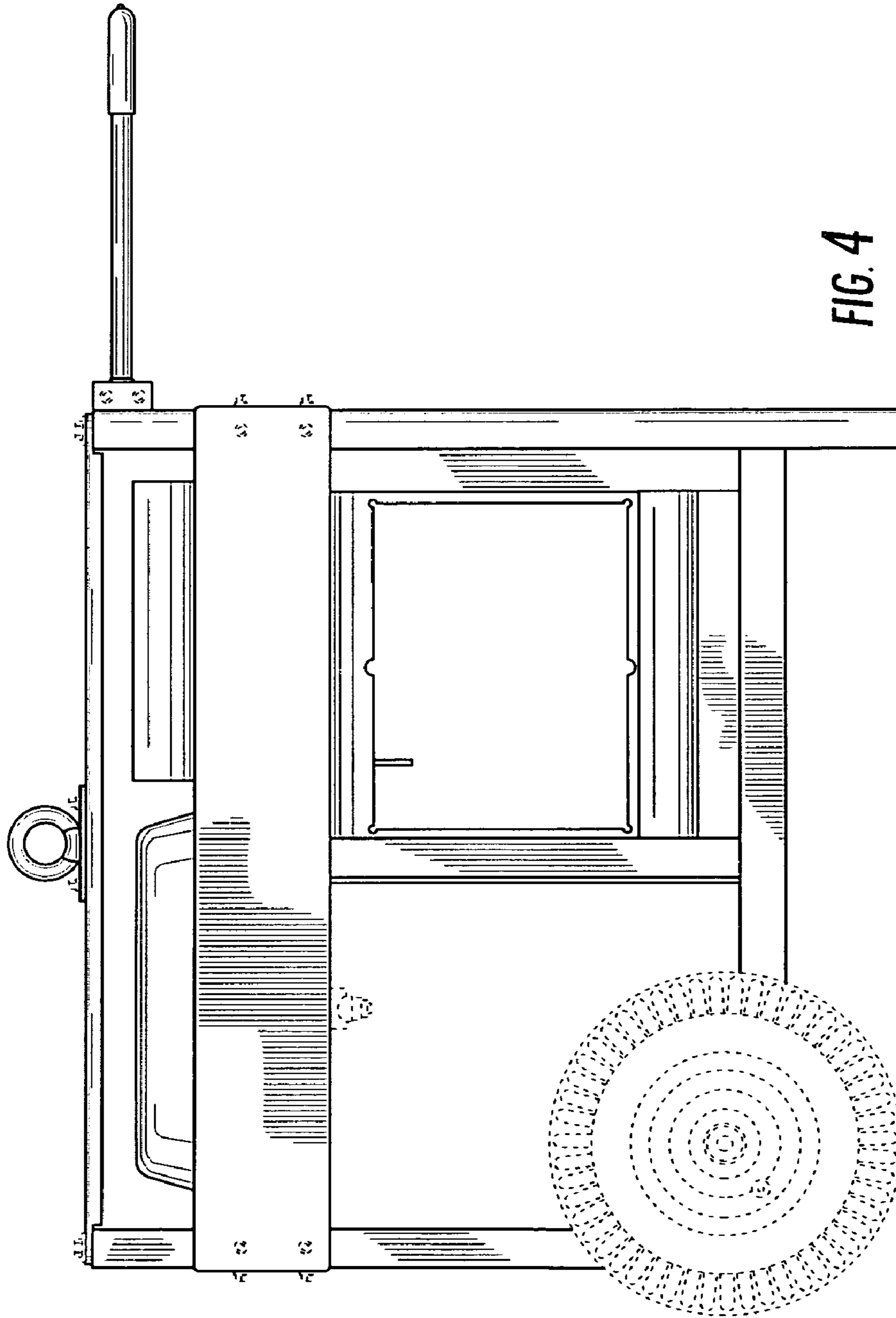


FIG. 4

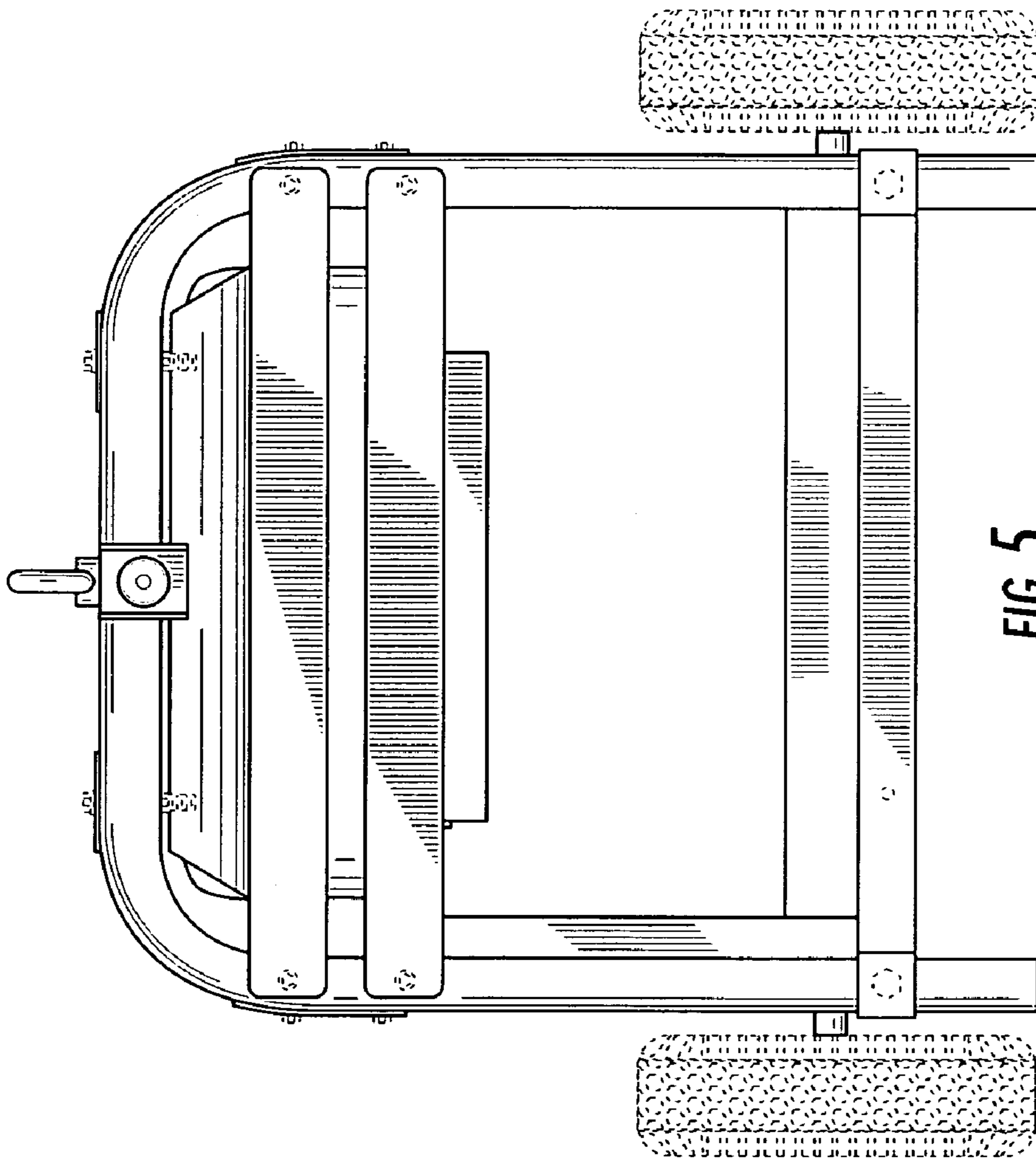


FIG. 5

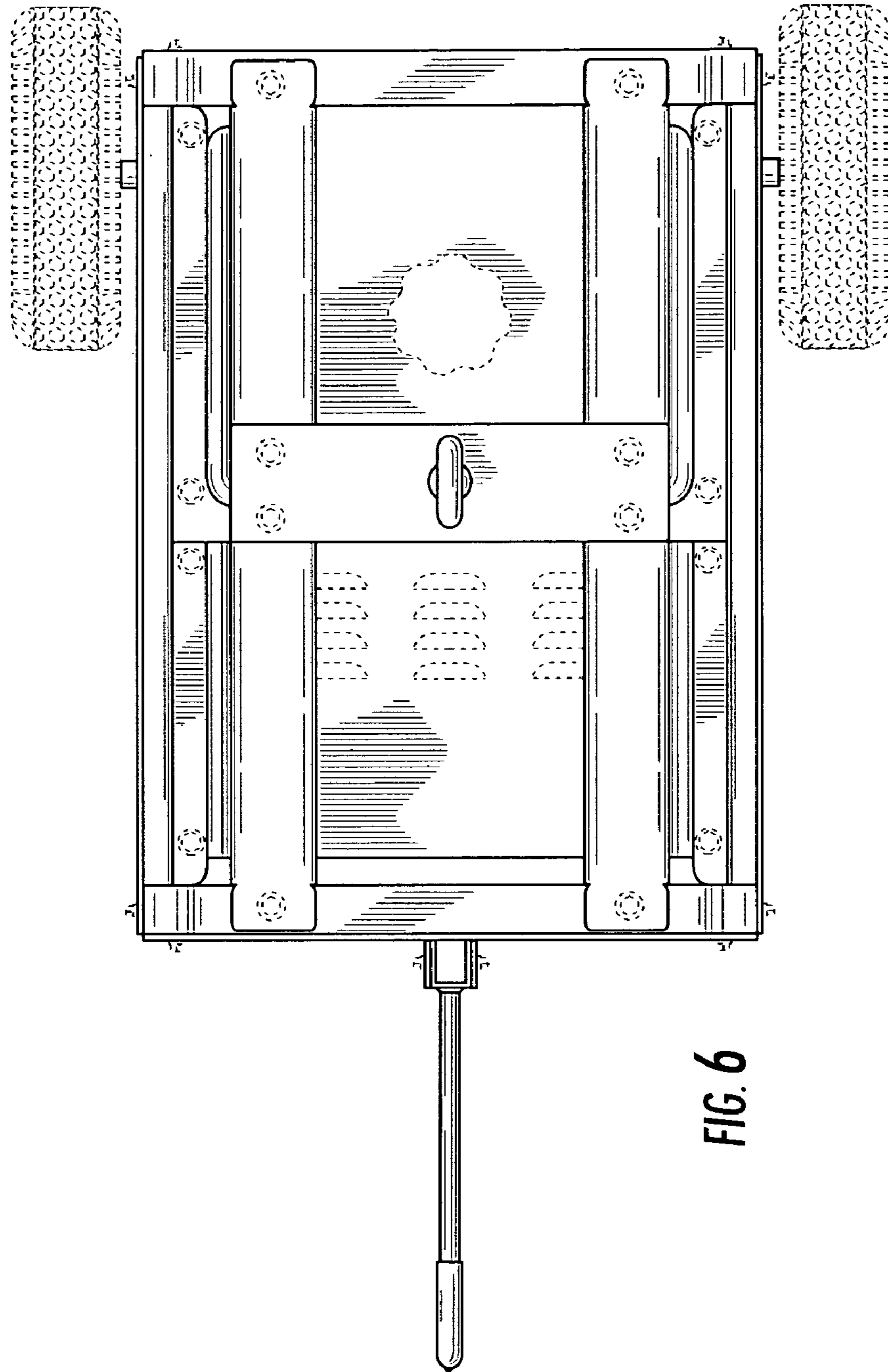


FIG. 6

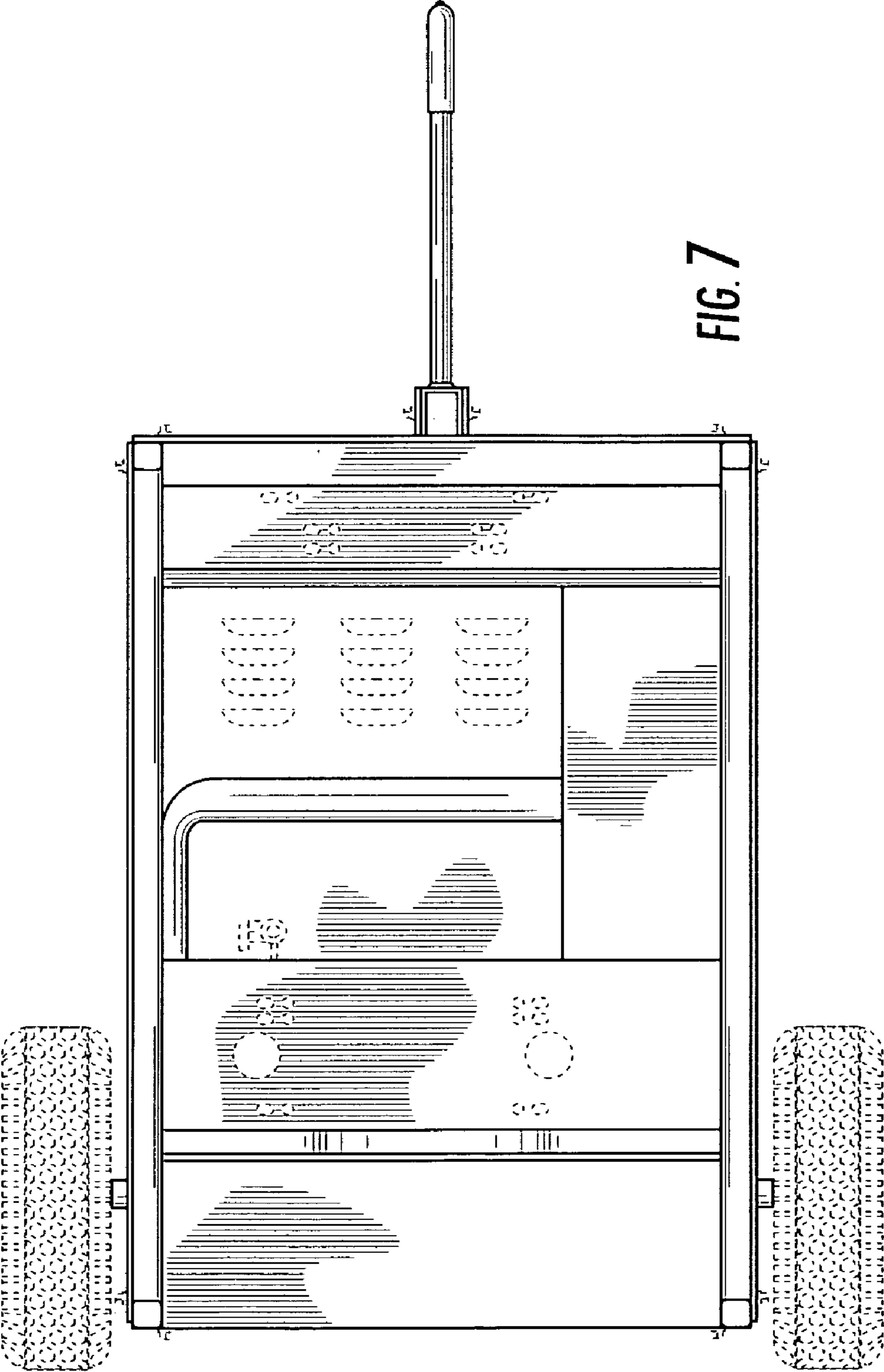


FIG. 7