



US00D595224S

(12) **United States Design Patent**
Seil et al.

(10) **Patent No.:** **US D595,224 S**
(45) **Date of Patent:** **** Jun. 30, 2009**

(54) **ELECTRIC POWER ADAPTER**

(75) Inventors: **Oliver Duncan Seil**, Pasadena, CA (US);
Dale Honda, Torrance, CA (US)

(73) Assignee: **Belkin International, Inc.**, Compton,
CA (US)

(**) Term: **14 Years**

(21) Appl. No.: **29/292,701**

(22) Filed: **Oct. 24, 2007**

(51) **LOC (9) Cl.** **13-02**

(52) **U.S. Cl.** **D13/110; D13/108**

(58) **Field of Classification Search** D13/107–110,
D13/118–119, 133, 137.1–139.8, 184; D14/224,
D14/251, 253, 432–434; 320/107–115; 174/53–58,
174/66; 439/105–107, 535, 650–655, 692;
307/64, 85, 150, 151; 363/143, 146
See application file for complete search history.

(56) **References Cited**

U.S. PATENT DOCUMENTS

D212,233 S *	9/1968	Mas	D13/110
D347,617 S *	6/1994	Tattari	D13/107
D432,497 S *	10/2000	Totsuka et al.	D13/110
D452,842 S *	1/2002	Kajiwara et al.	D13/110
D481,674 S *	11/2003	Sade et al.	D13/108
D572,712 S *	7/2008	Ledbetter et al.	D14/432
D573,946 S *	7/2008	Ledbetter et al.	D13/110
D583,318 S *	12/2008	Kagami et al.	D13/108
D587,191 S *	2/2009	Kim et al.	D13/108

OTHER PUBLICATIONS

Apple USB Power Adapter; <http://store.apple.com/1-800-MY-APPLE/WebObjects/AppleStore.woa/wa/RSLID?mco=E6CC6527&fnode=home&nplm=MB051LL/A>; Oct. 10, 2007; 9 pages.

BTI Factory Store; IP-PS-USB; <http://www.bti-store.com/productview.asp?pid=IP-PS-USB>; Oct. 10, 2007; 1 page.
Belkin Dual USB Power Adapter; http://catalog.belkin.com/IWCatProductPage.process?Product_Id=373604; Oct. 10, 2007; 2 pages.
Belkin Power Adapter; http://catalog.belkin.com/IWCatProductPage.process?Product_Id=370635; Oct. 10, 2007; 2 pages.
Kensington Travel Plug Adapter with USB Charger; <http://us.kensington.com/html/7207.html>; Oct. 10, 2007; 1 page.
DLO Power Bug; http://www.dlo.com/Products/powerbug_Prod.tpl?command=showpage&cart; Oct. 10, 2007; 2 pages.

* cited by examiner

Primary Examiner—Jennifer Rivard

Assistant Examiner—Rosemary K Tarcza

(74) *Attorney, Agent, or Firm*—Bryan Cave LLP

(57) **CLAIM**

The ornamental design for an electric power adapter, as shown and described.

DESCRIPTION

FIG. 1 is a front side view of the electric power adapter;

FIG. 2 is a left side view thereof;

FIG. 3 is a right side view thereof;

FIG. 4 is a top side view thereof;

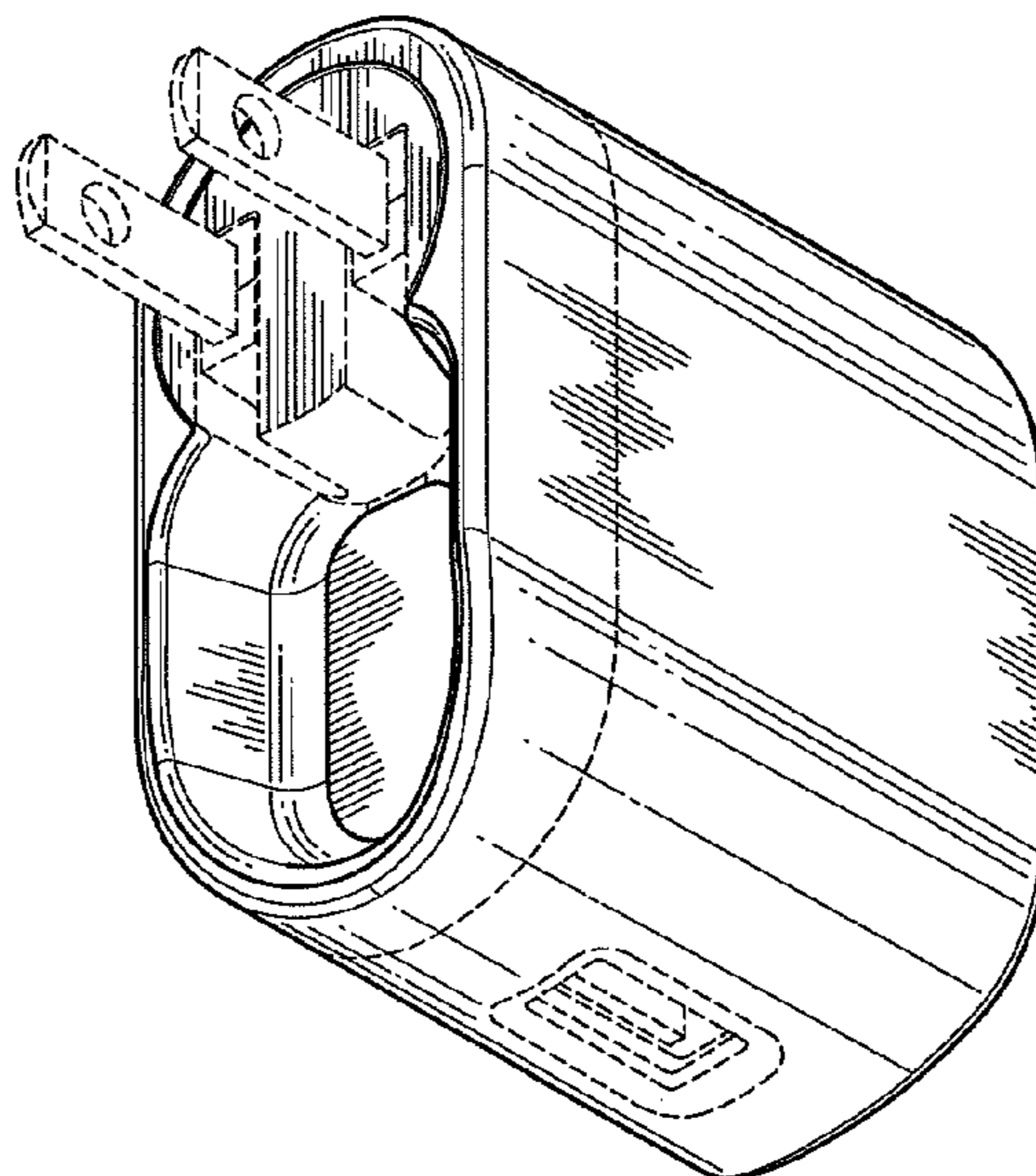
FIG. 5 is a bottom side view thereof;

FIG. 6 is a rear side view thereof; and,

FIG. 7 is a rear, left, bottom isometric view thereof.

The broken lines shown in the drawings are for the purpose of illustrating environmental structure and form no part of the claimed design. The broken lines directly adjacent to shaded areas form boundaries of the claimed design and form no part of the claimed design.

1 Claim, 2 Drawing Sheets



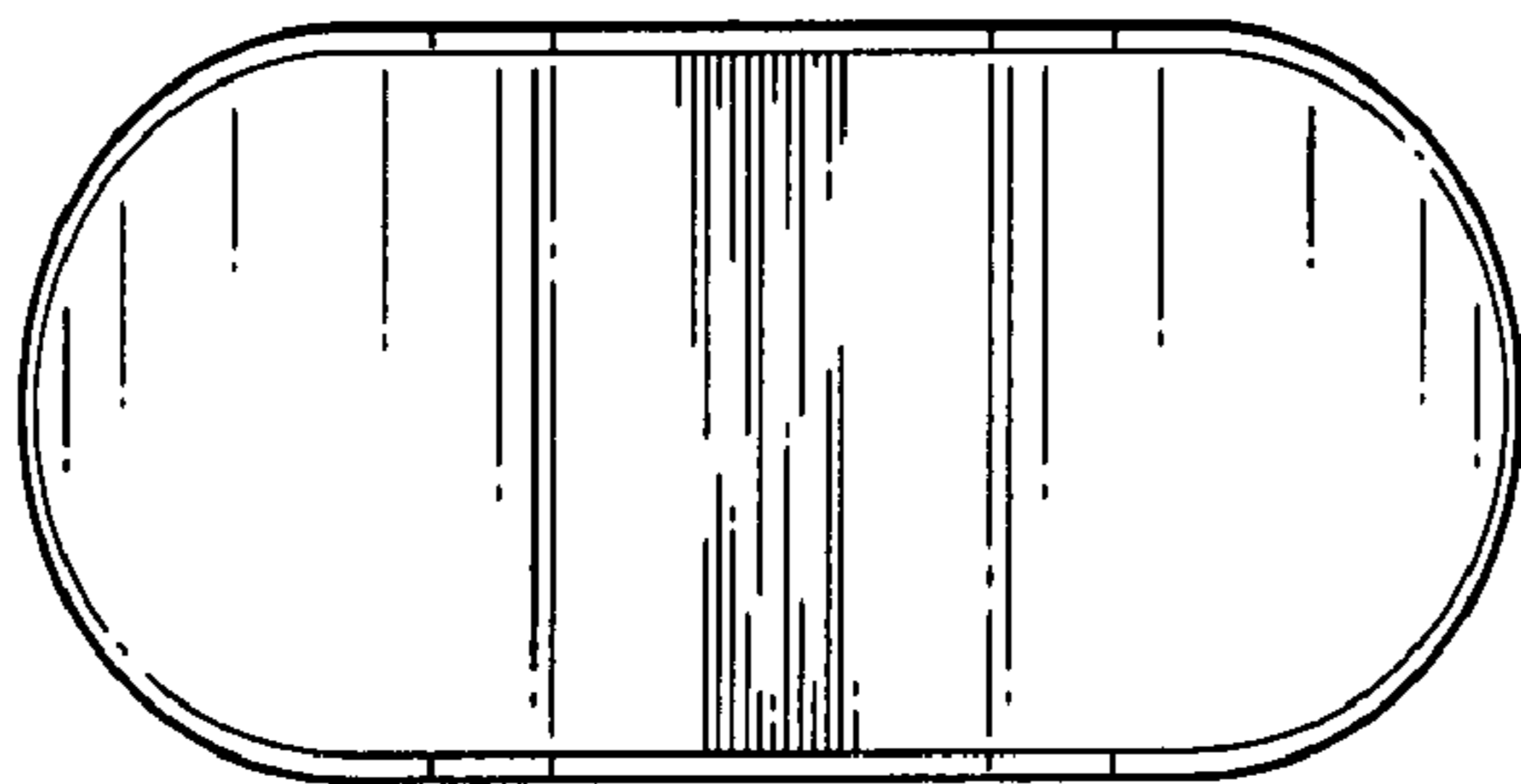


FIG. 1

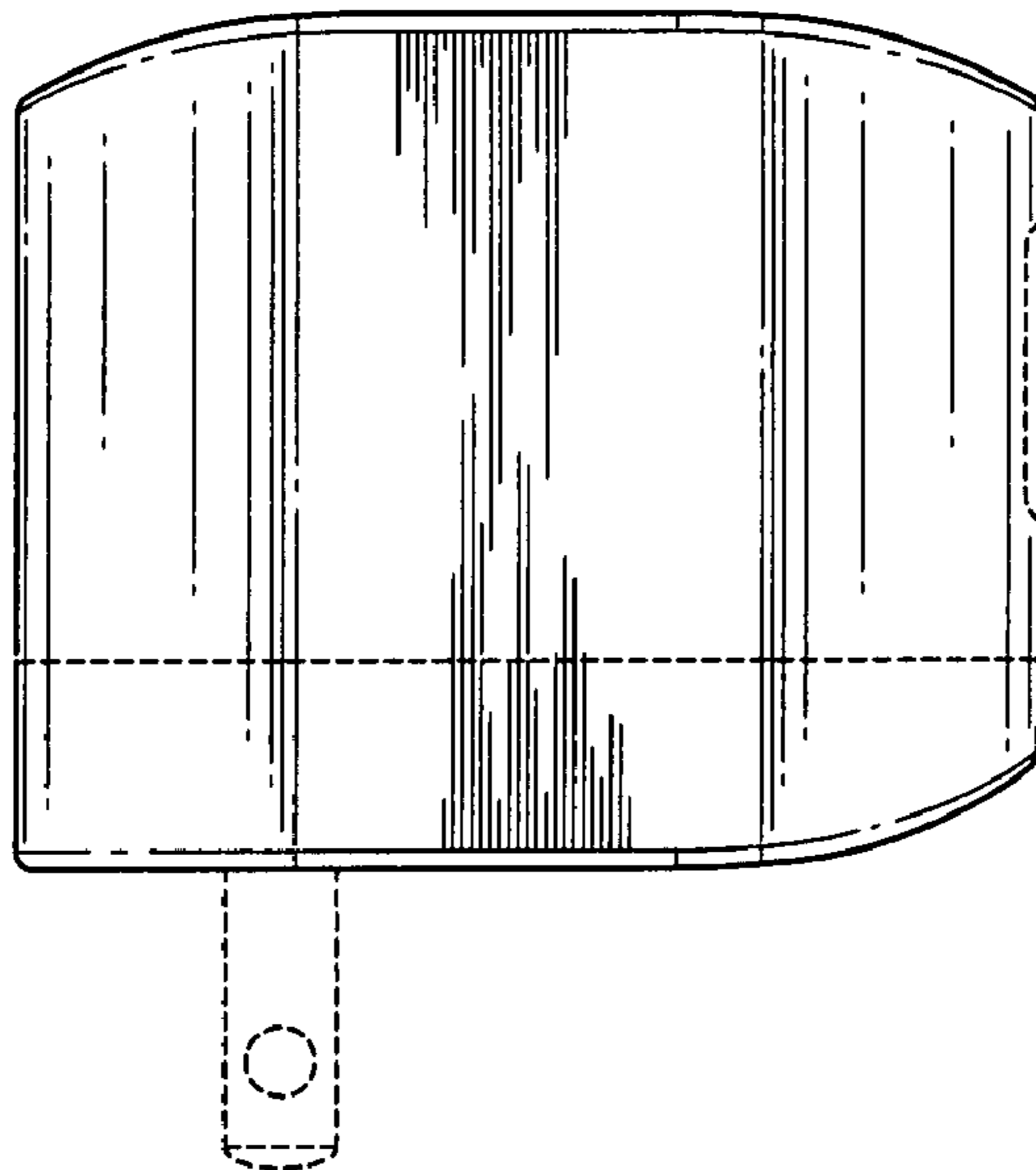


FIG. 2

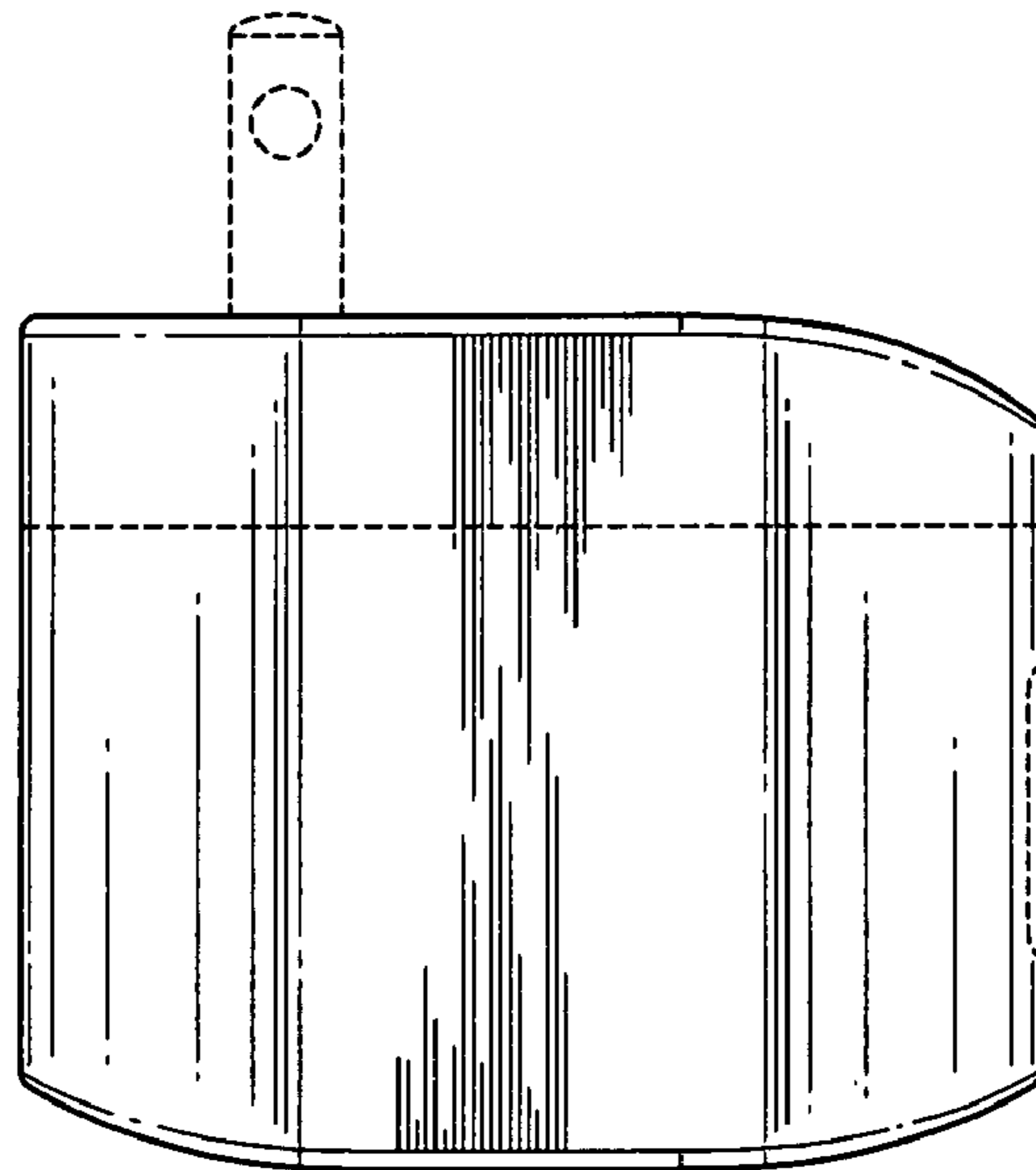


FIG. 3

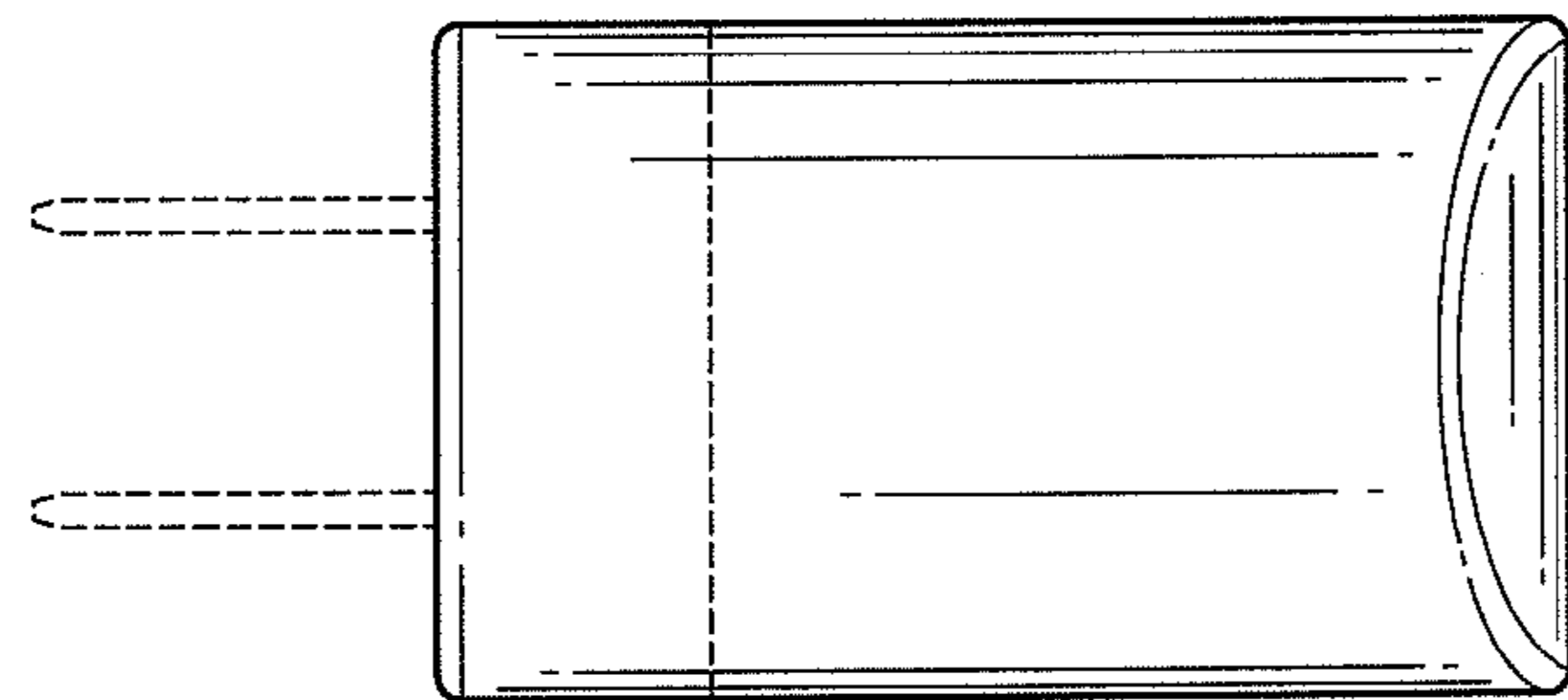


FIG. 4

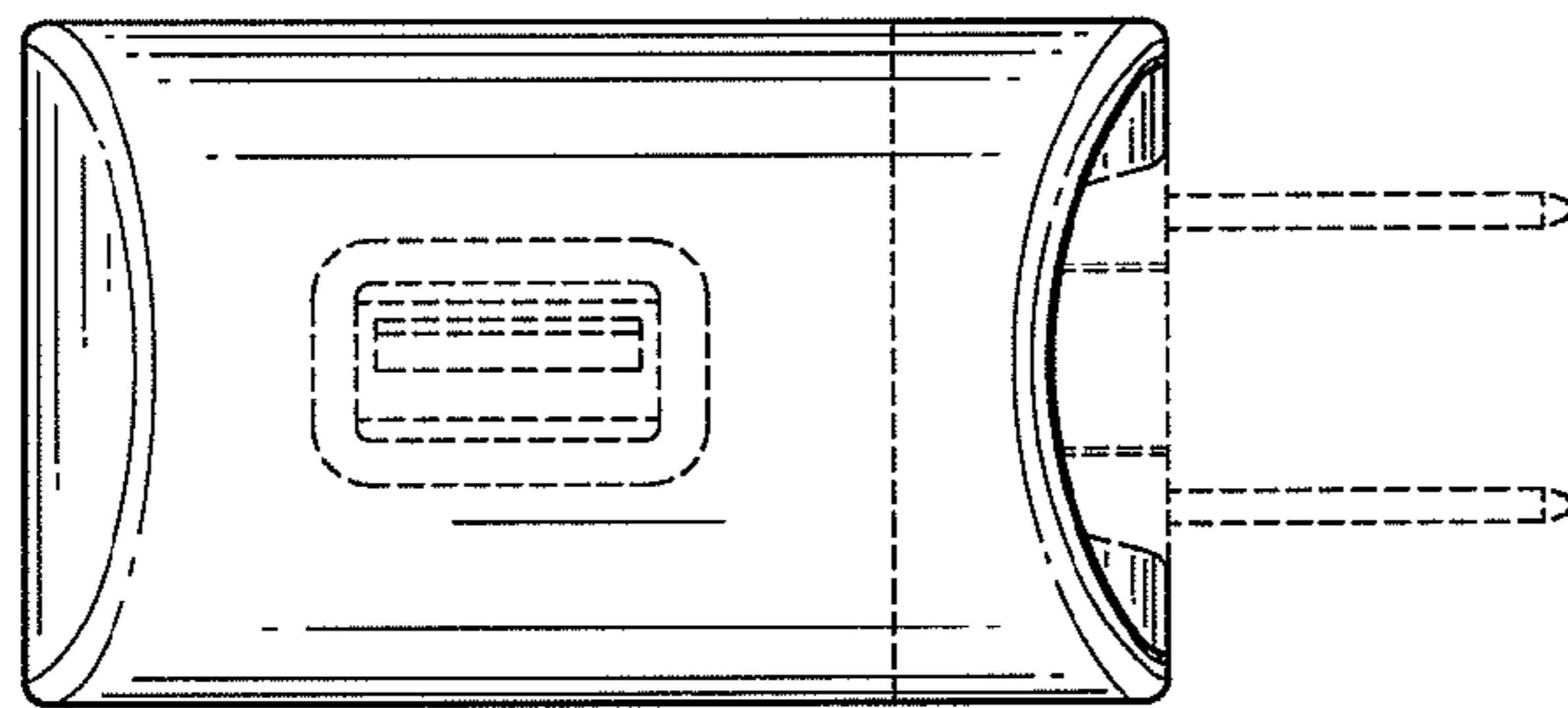


FIG. 5

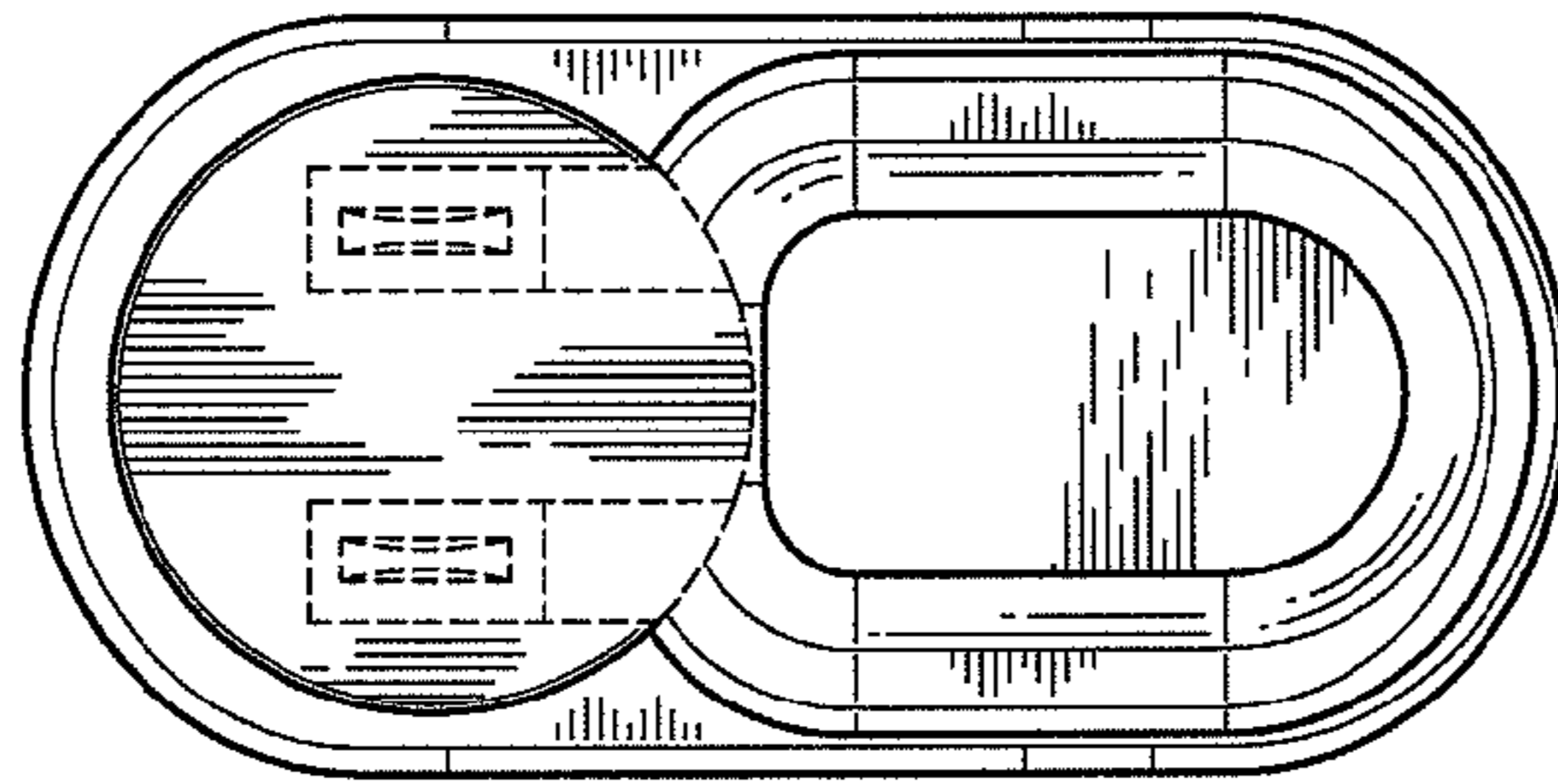


FIG. 6

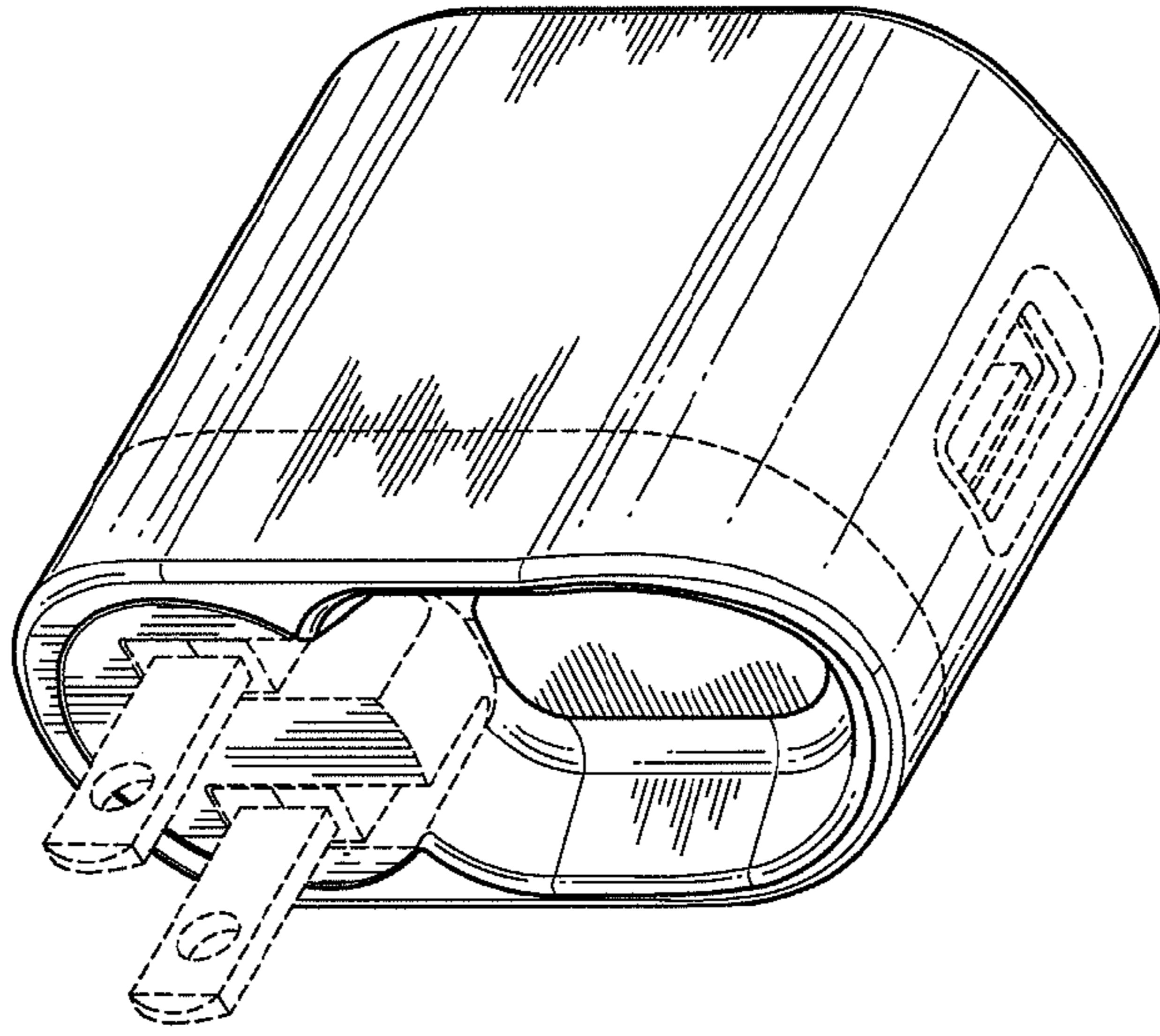


FIG. 7