



US00D595223S

(12) **United States Design Patent**
Yamamoto et al.

(10) **Patent No.:** **US D595,223 S**
(45) **Date of Patent:** **** Jun. 30, 2009**

(54) **USB POWERED USB CHARGING BATTERY DEVICE**

(75) Inventors: **Yasuhiro Yamamoto**, Los Angeles, CA (US); **Long Ho**, Reseda, CA (US)

(73) Assignee: **Ever Win International Corporation**, City of Industry, CA (US)

(**) Term: **14 Years**

(21) Appl. No.: **29/312,709**

(22) Filed: **Nov. 6, 2008**

(51) **LOC (9) Cl.** **13-02**

(52) **U.S. Cl.** **D13/108; D14/480.7**

(58) **Field of Classification Search** D13/107–110, D13/118–119, 184; D14/251, 253, 348, D14/356, 358, 432, 434, 474, 480.1, 480.7; 320/107–115; 710/300–301; 361/684–686; 439/418, 139–141, 131

See application file for complete search history.

(56) **References Cited**

U.S. PATENT DOCUMENTS

D463,426 S * 9/2002 Cheng D14/480.1
6,804,749 B2 * 10/2004 Chien et al. 711/115

(Continued)

Primary Examiner—Jennifer Rivard

Assistant Examiner—Rosemary K Tarca

(74) *Attorney, Agent, or Firm*—Oswald & Yap; Jay Y. Chiu

(57) **CLAIM**

The ornamental design for a USB powered USB charging battery device, as shown and described.

DESCRIPTION

FIG. 1 is a front perspective view, with the connector extended, of a USB powered USB charging battery device showing my new design;

FIG. 2 is a rear perspective view thereof with the connector extended;

FIG. 3 is a top plan view thereof with the connector extended;

FIG. 4 is a right side elevational view thereof with the connector extended;

FIG. 5 is a bottom plan view thereof with the connector extended;

FIG. 6 is a left side elevational view thereof with the connector extended;

FIG. 7 is a front elevational view thereof with the connector extended;

FIG. 8 is a rear elevational view thereof with the connector extended;

FIG. 9 is a front perspective view thereof with the connector retracted;

FIG. 10 is a rear perspective view thereof with the connector retracted;

FIG. 11 is a top plan view thereof with the connector retracted;

FIG. 12 is a right side elevational view thereof with the connector retracted;

FIG. 13 is a bottom plan view thereof with the connector retracted;

FIG. 14 is a left side elevational view thereof with the connector retracted;

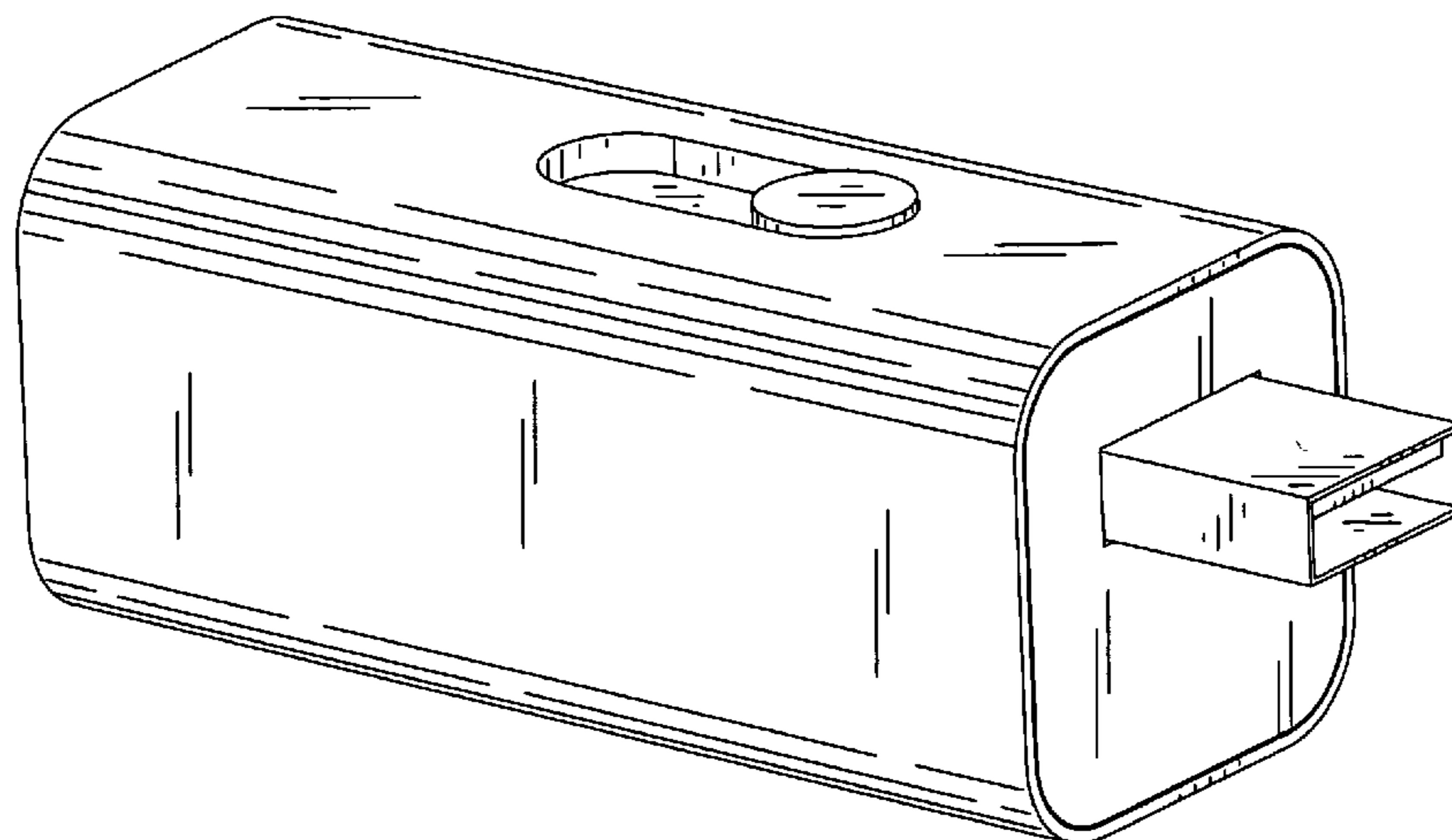
FIG. 15 is a front elevational view thereof with the connector retracted; and,

FIG. 16 is a rear elevational view thereof with the connector retracted.

The broken lines shown in the drawings are included for the purpose of illustrating environmental structure and form no part of the claimed design.

Our design is characterized by the features as shown in the drawings.

1 Claim, 6 Drawing Sheets



US D595,223 S

Page 2

U.S. PATENT DOCUMENTS

D532,776 S *	11/2006	Griffin	D14/435.1	D563,954 S *	3/2008	Buchanon	D14/356
D538,223 S *	3/2007	Yang	D14/435.1	D573,946 S *	7/2008	Ledbetter et al.	D13/110
D541,796 S *	5/2007	Chen	D14/480.7	D575,288 S *	8/2008	Chen	D14/432
D541,797 S *	5/2007	Chen	D14/480.3	D576,619 S *	9/2008	Udagawa et al.	D14/358
D542,787 S *	5/2007	Siu	D14/356	D577,019 S *	9/2008	Udagawa et al.	D14/358
D544,479 S *	6/2007	Chen	D14/356	D583,816 S *	12/2008	Guccione et al.	D14/358
D546,328 S *	7/2007	Kobayakawa	D14/480.7	2006/0258196 A1 *	11/2006	Chen et al.	439/141
D553,618 S *	10/2007	Cheng	D14/356	2007/0229025 A1 *	10/2007	Tsai et al.	320/111
D554,585 S *	11/2007	Nazar et al.	D13/110	2008/0233776 A1 *	9/2008	Tang et al.	439/131

* cited by examiner

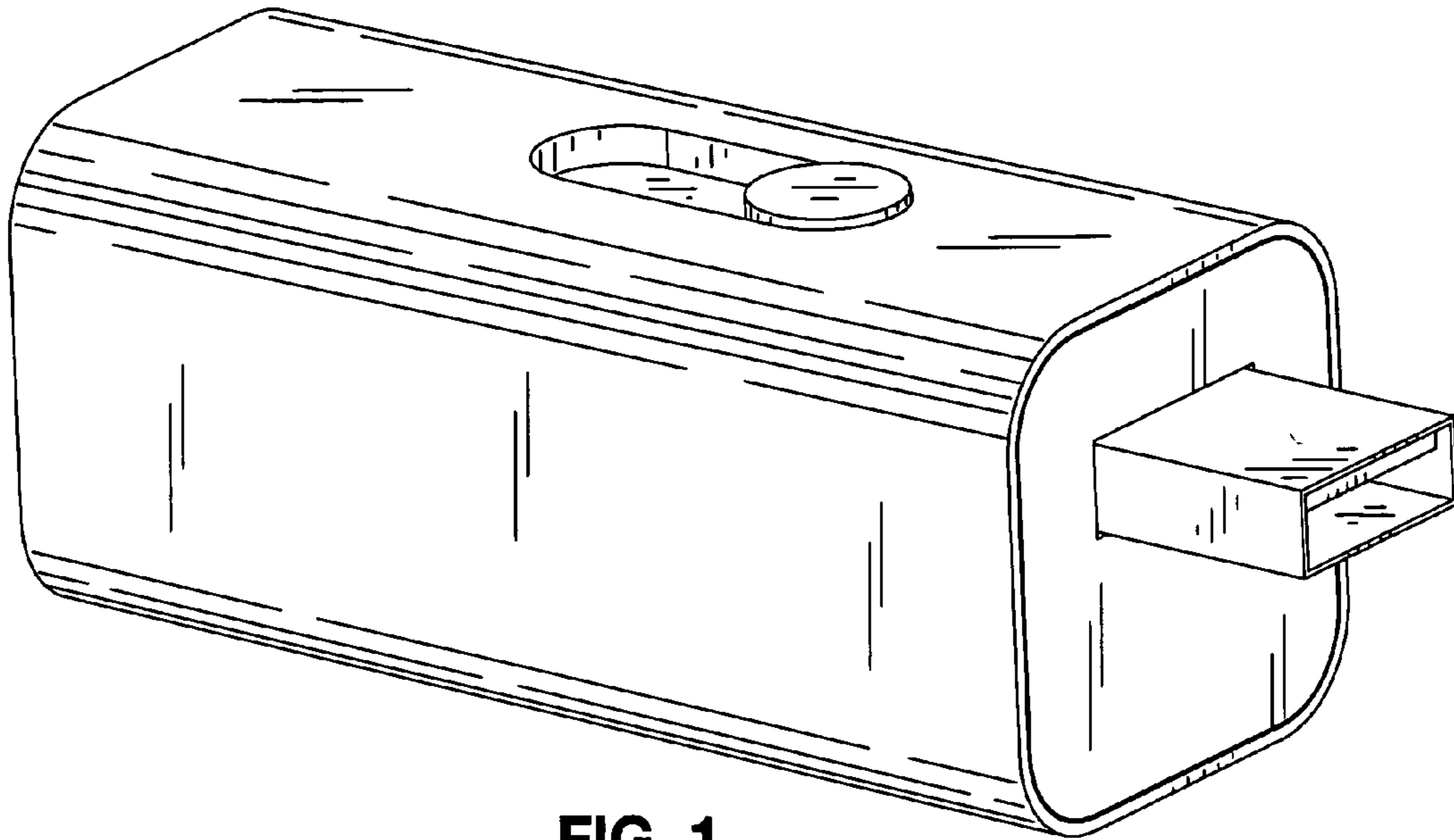


FIG. 1

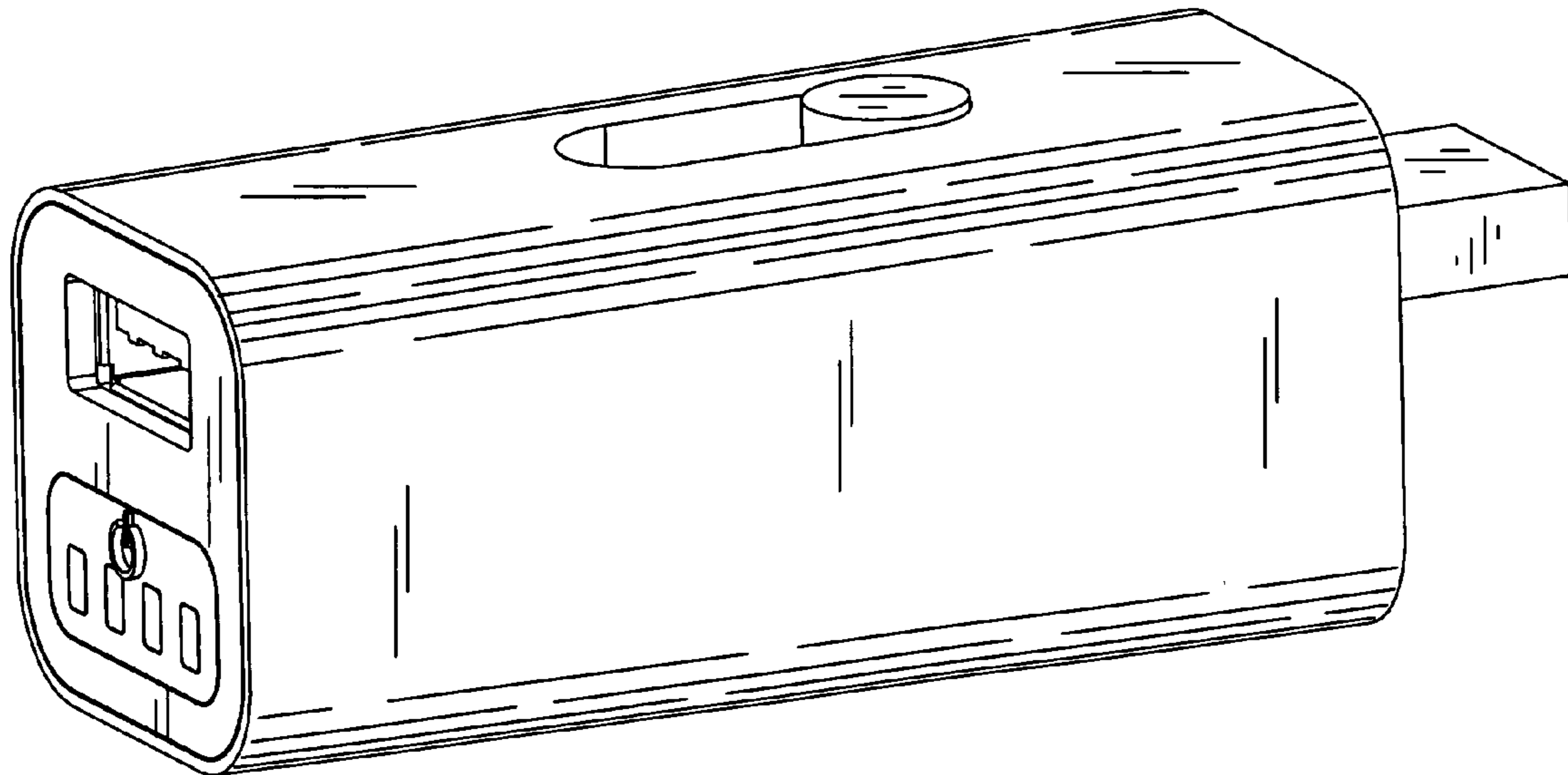


FIG. 2

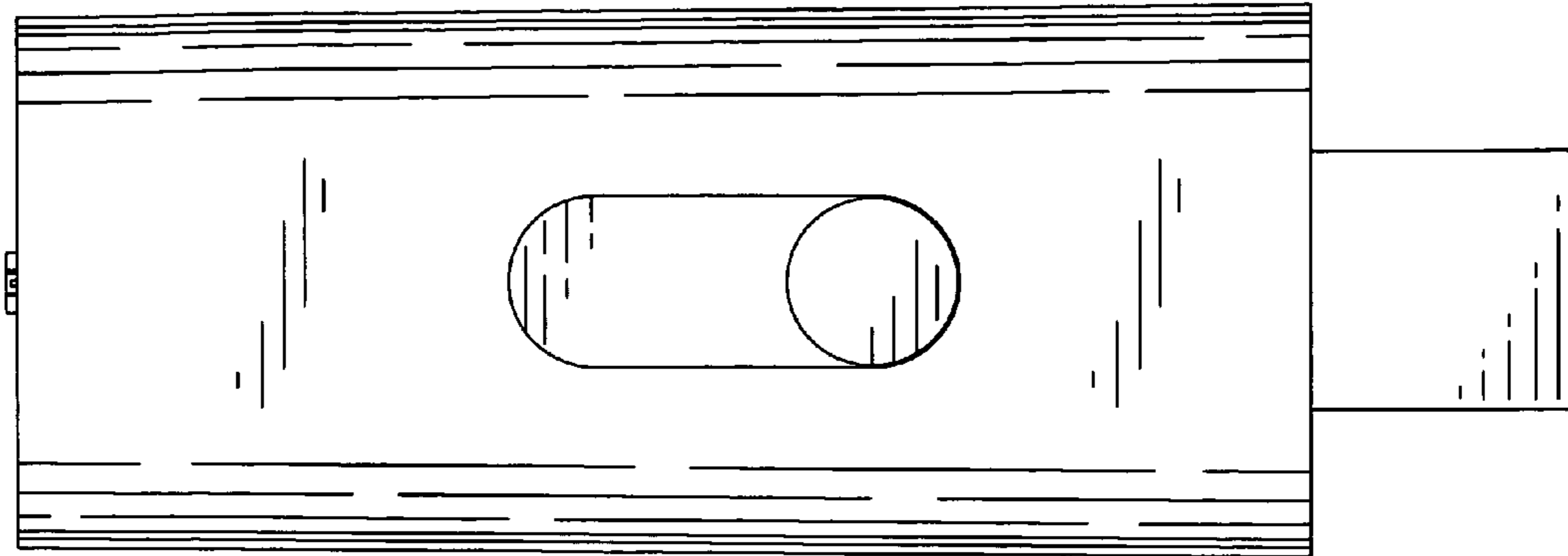


FIG. 3

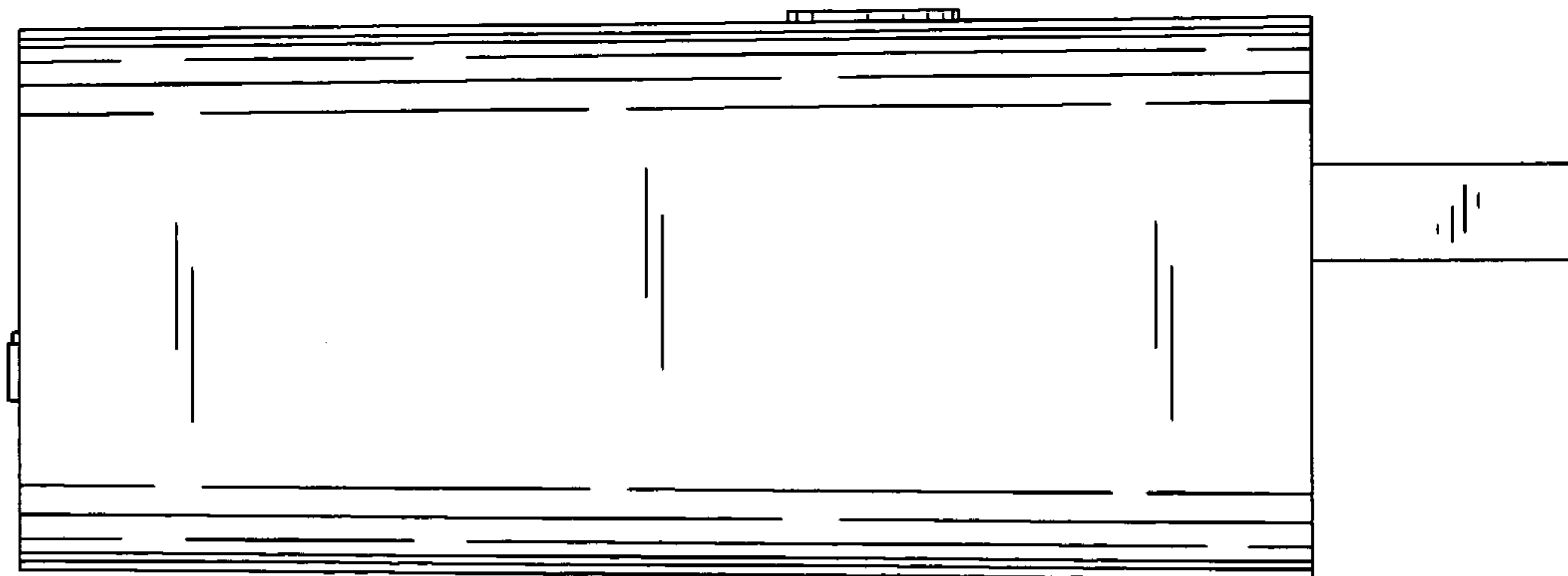


FIG. 4

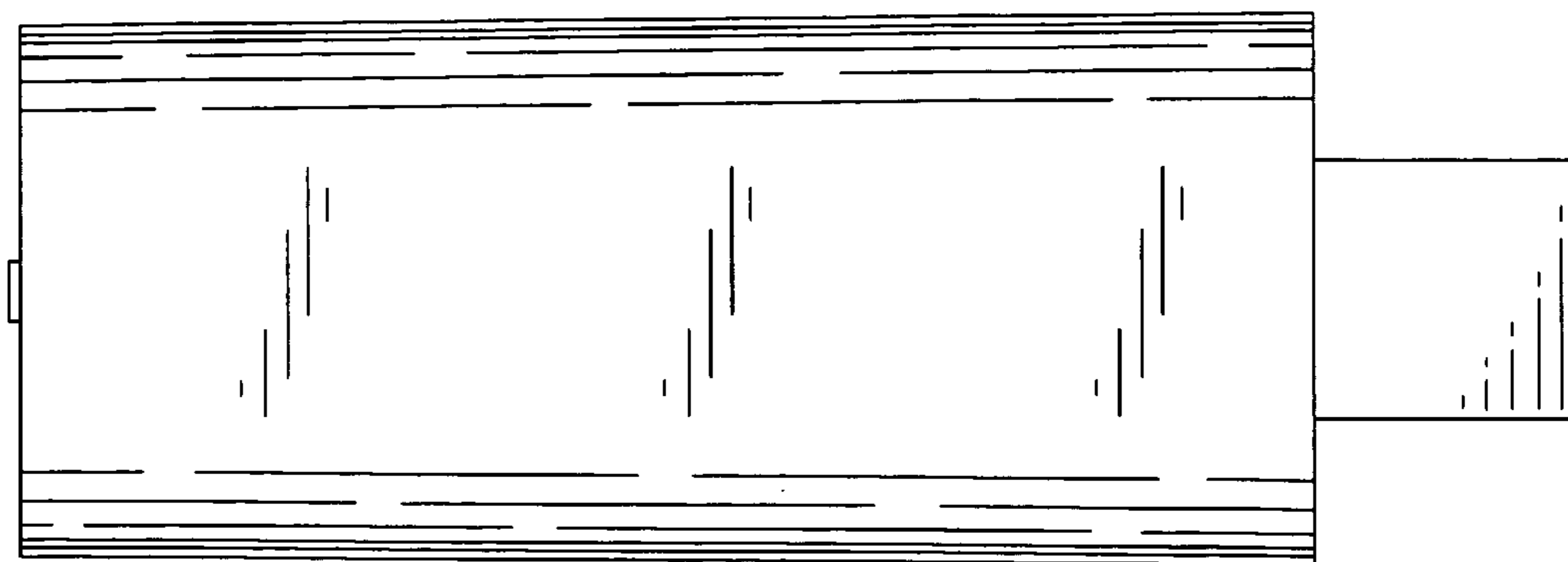


FIG. 5

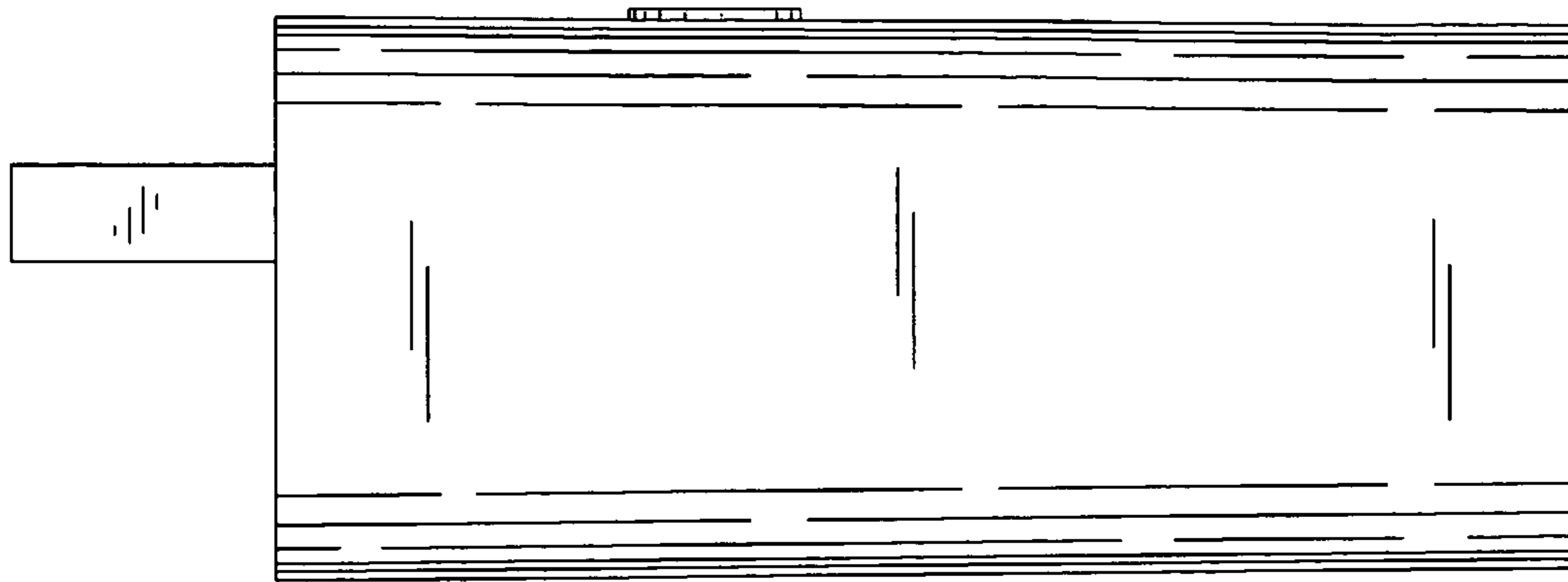


FIG. 6

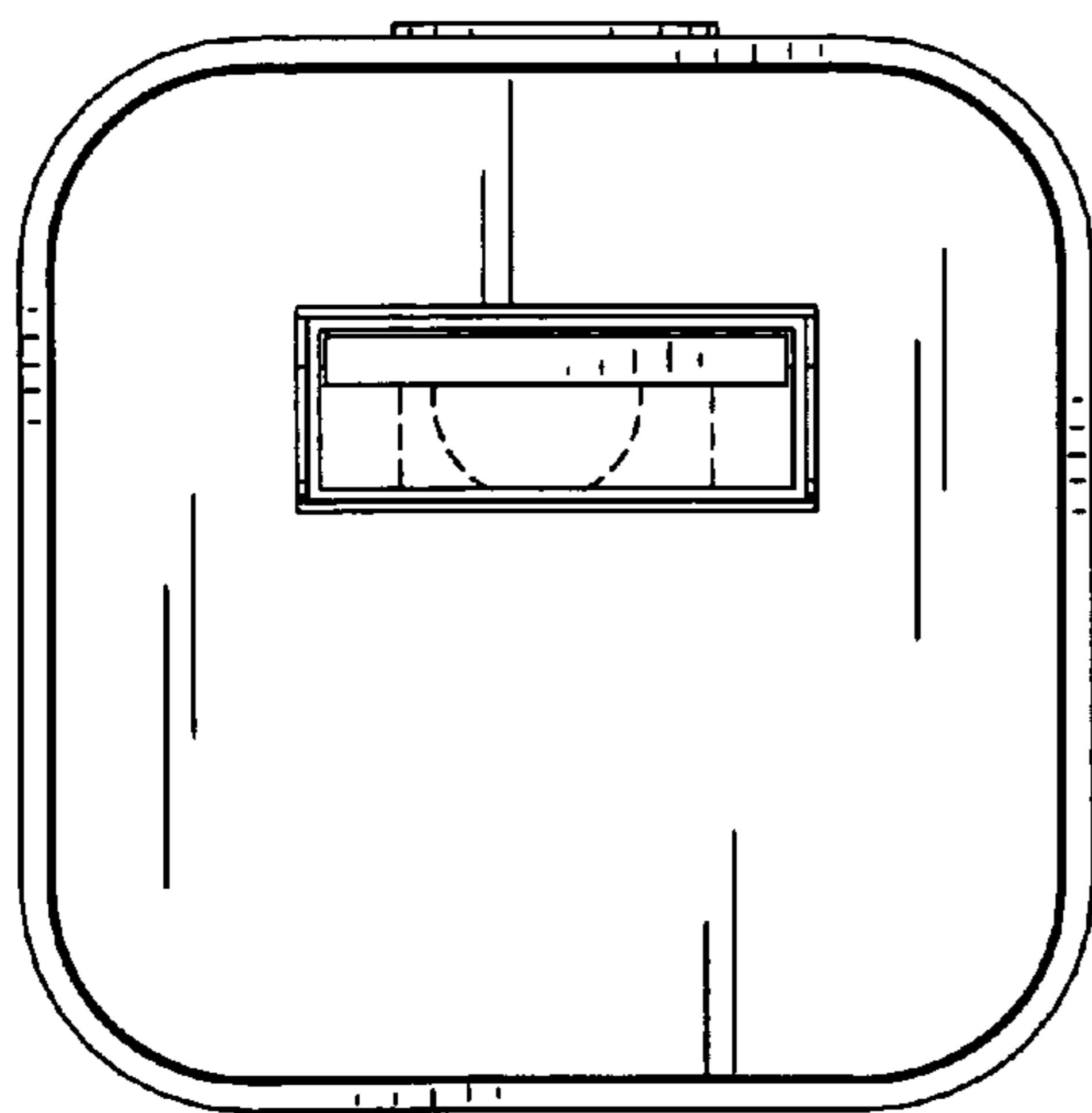


FIG. 7

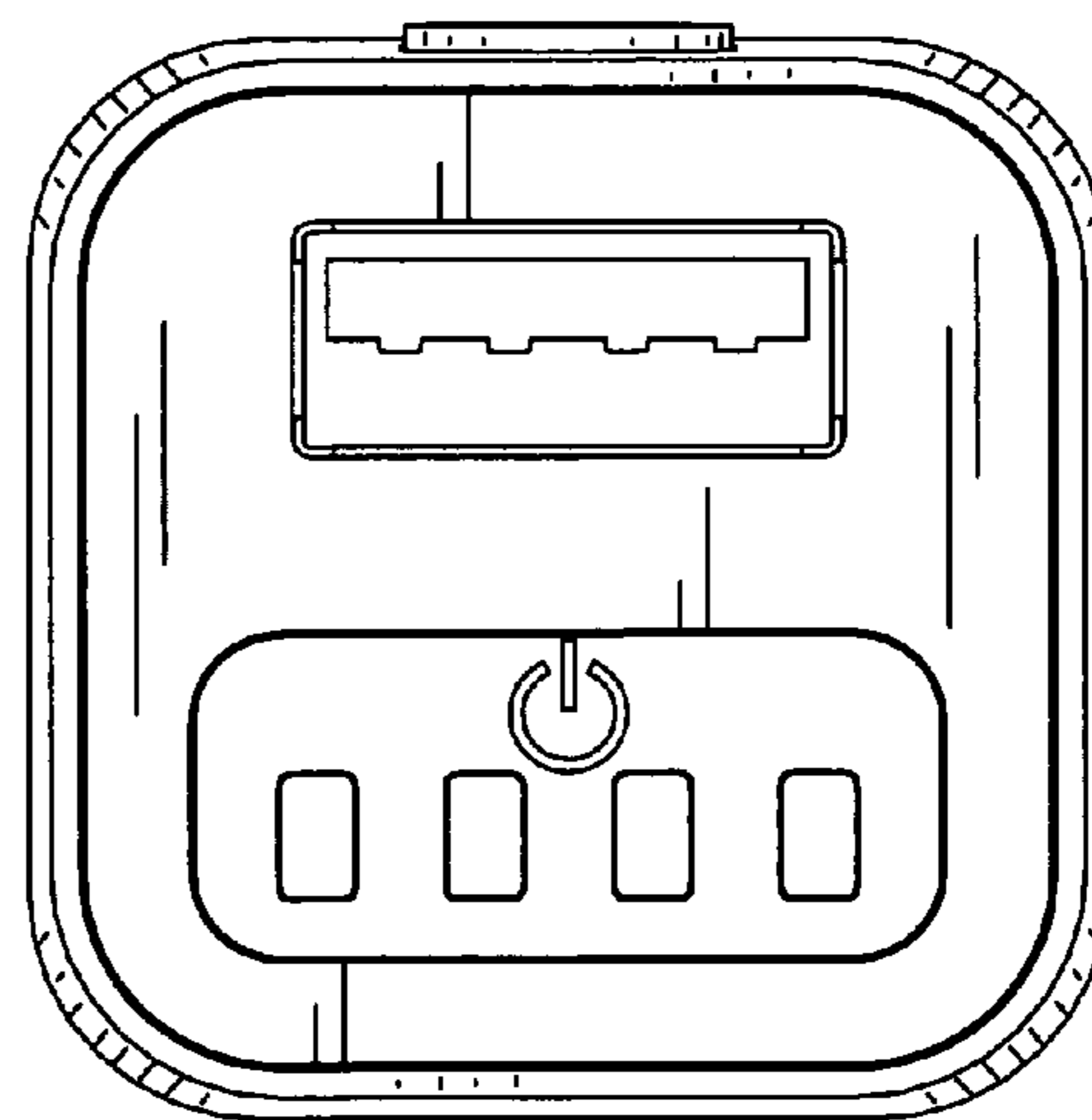


FIG. 8

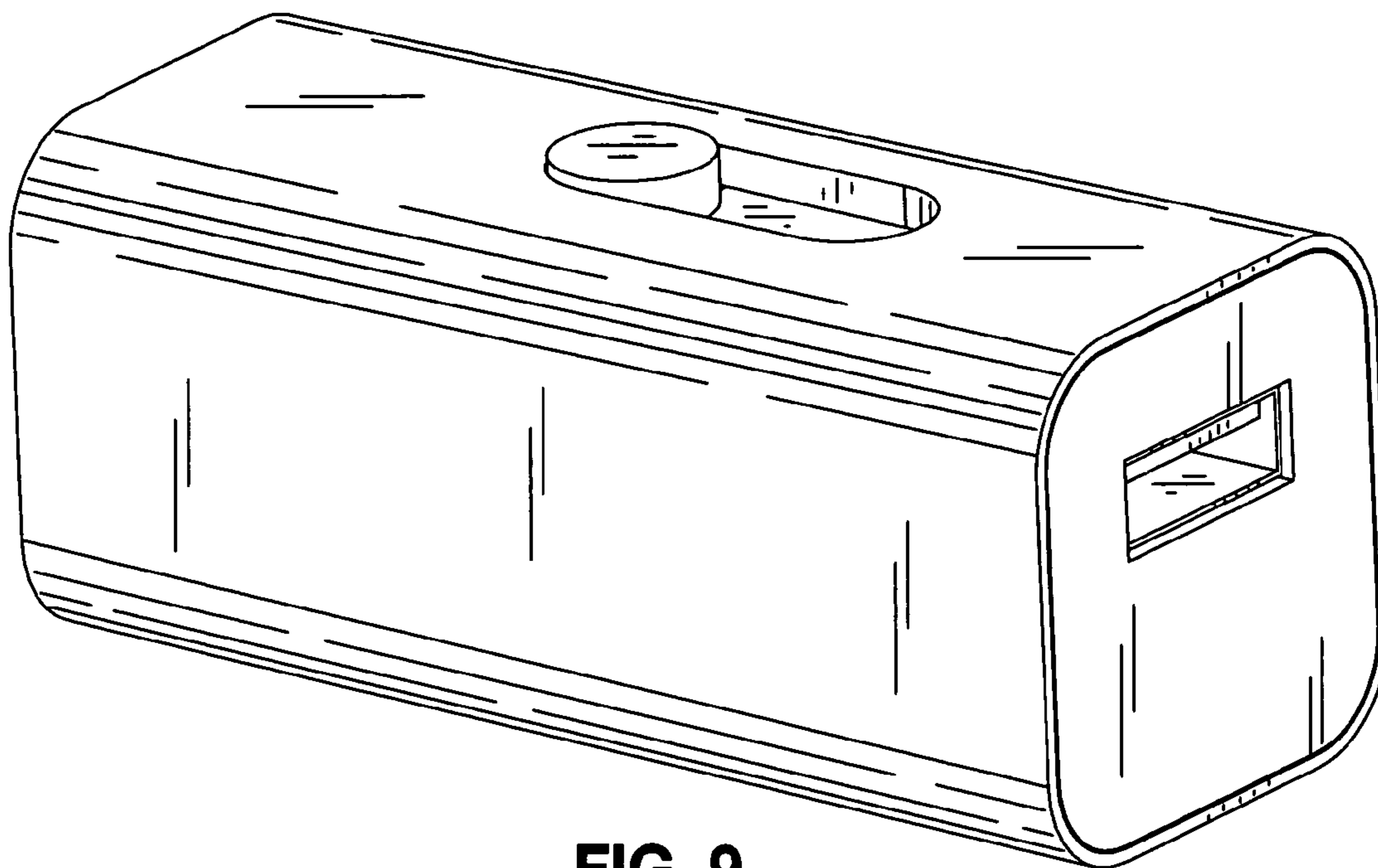


FIG. 9

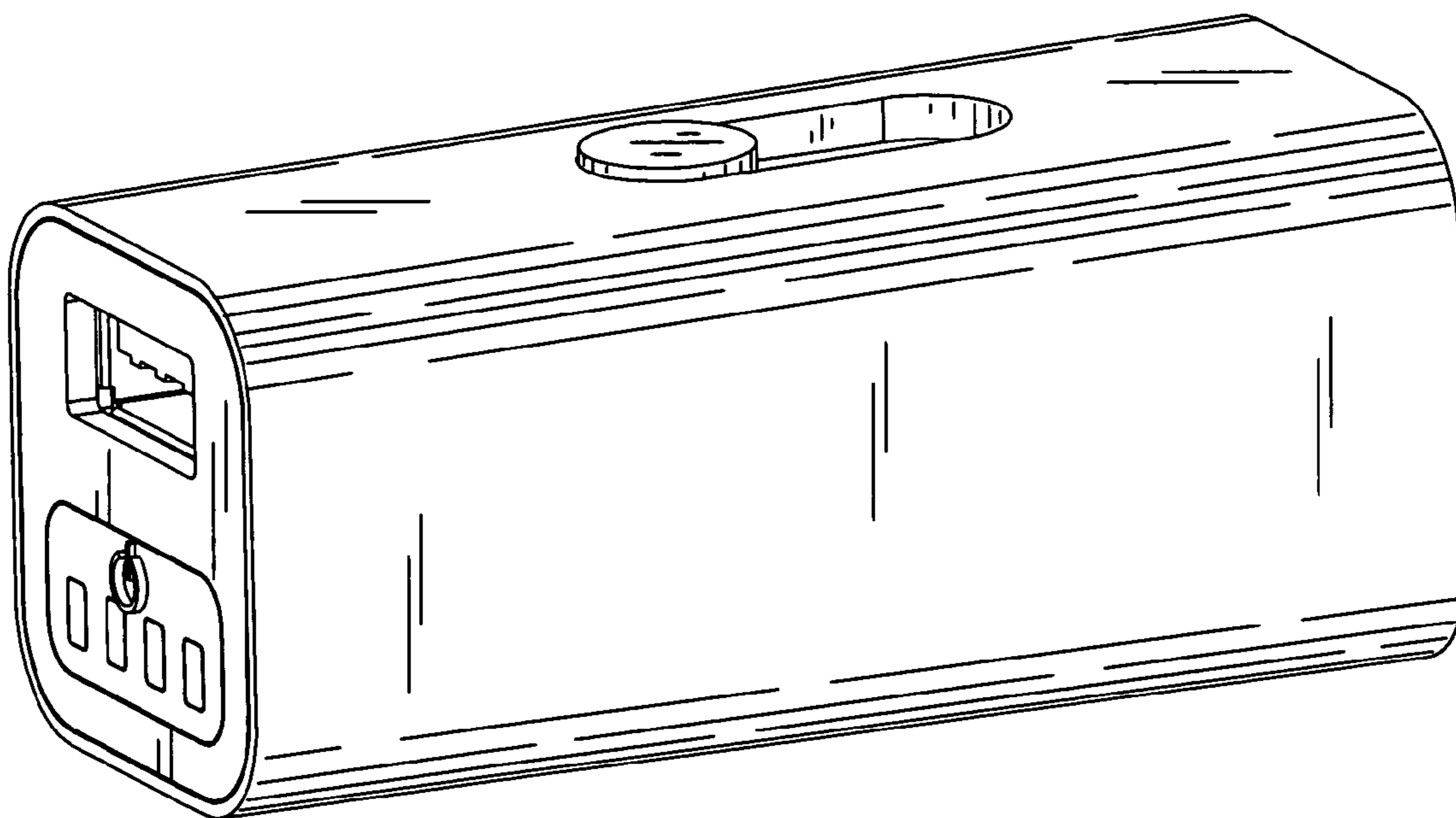


FIG. 10

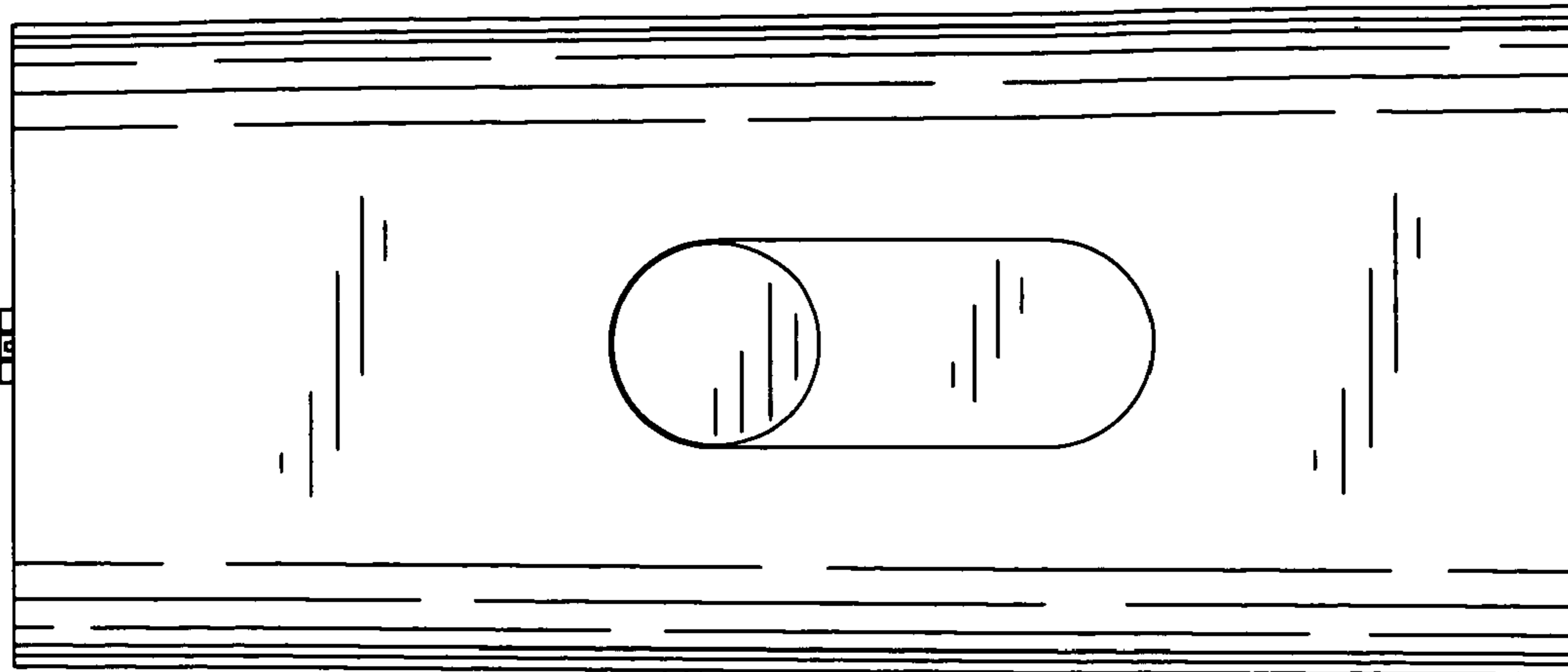


FIG. 11

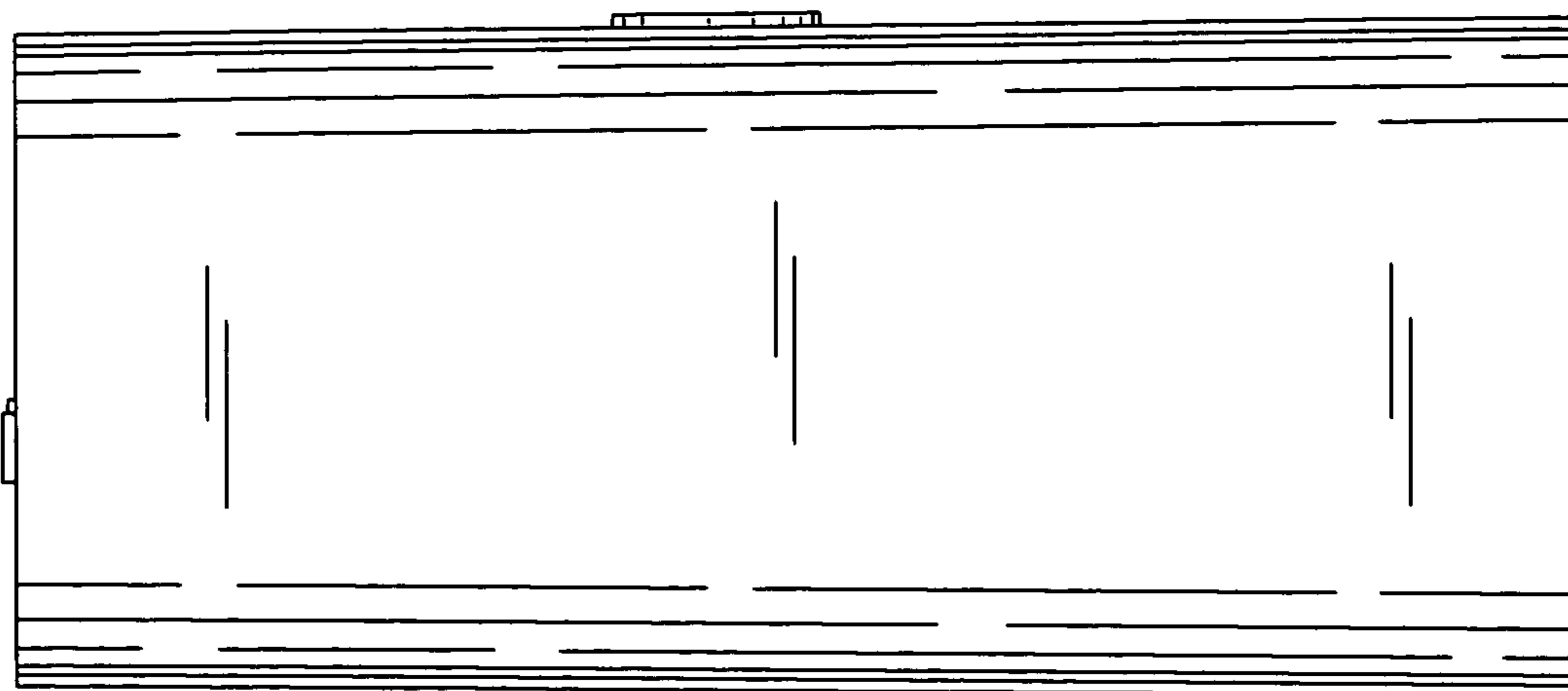


FIG. 12

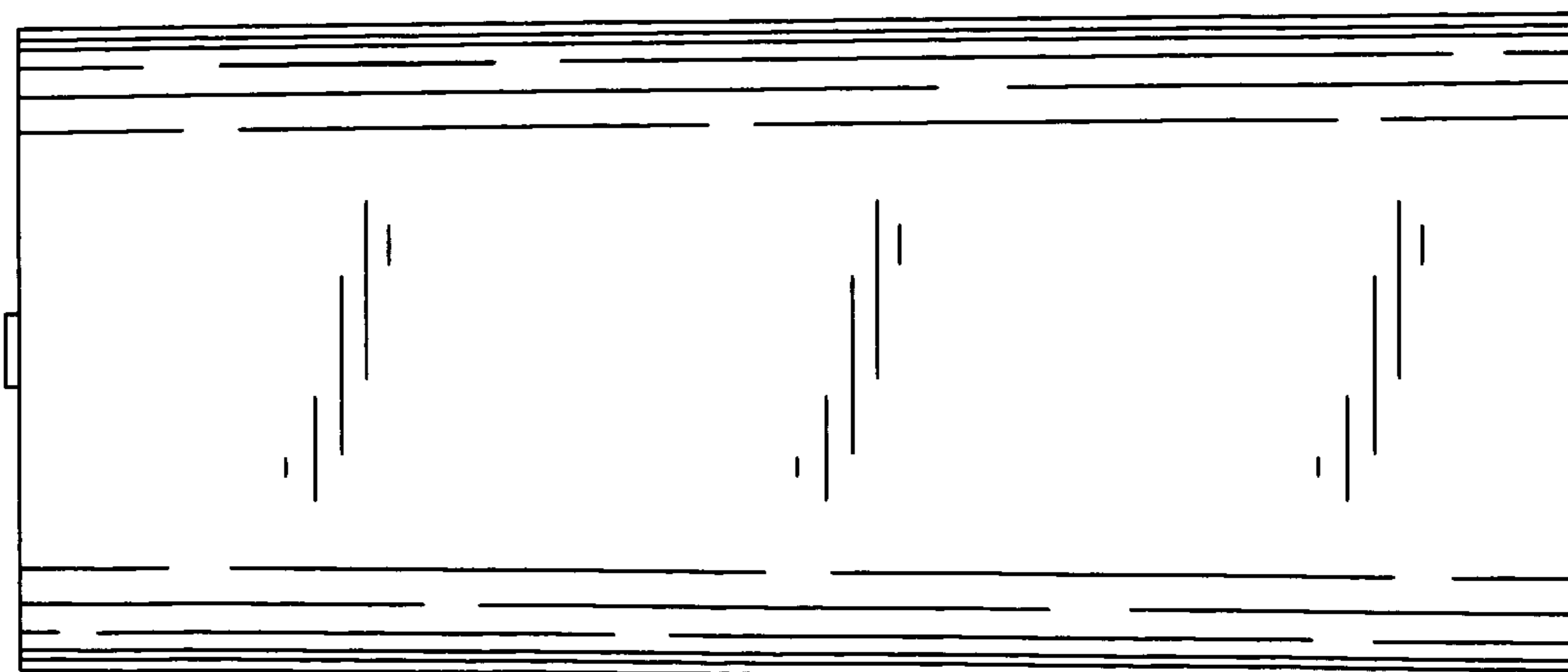


FIG. 13

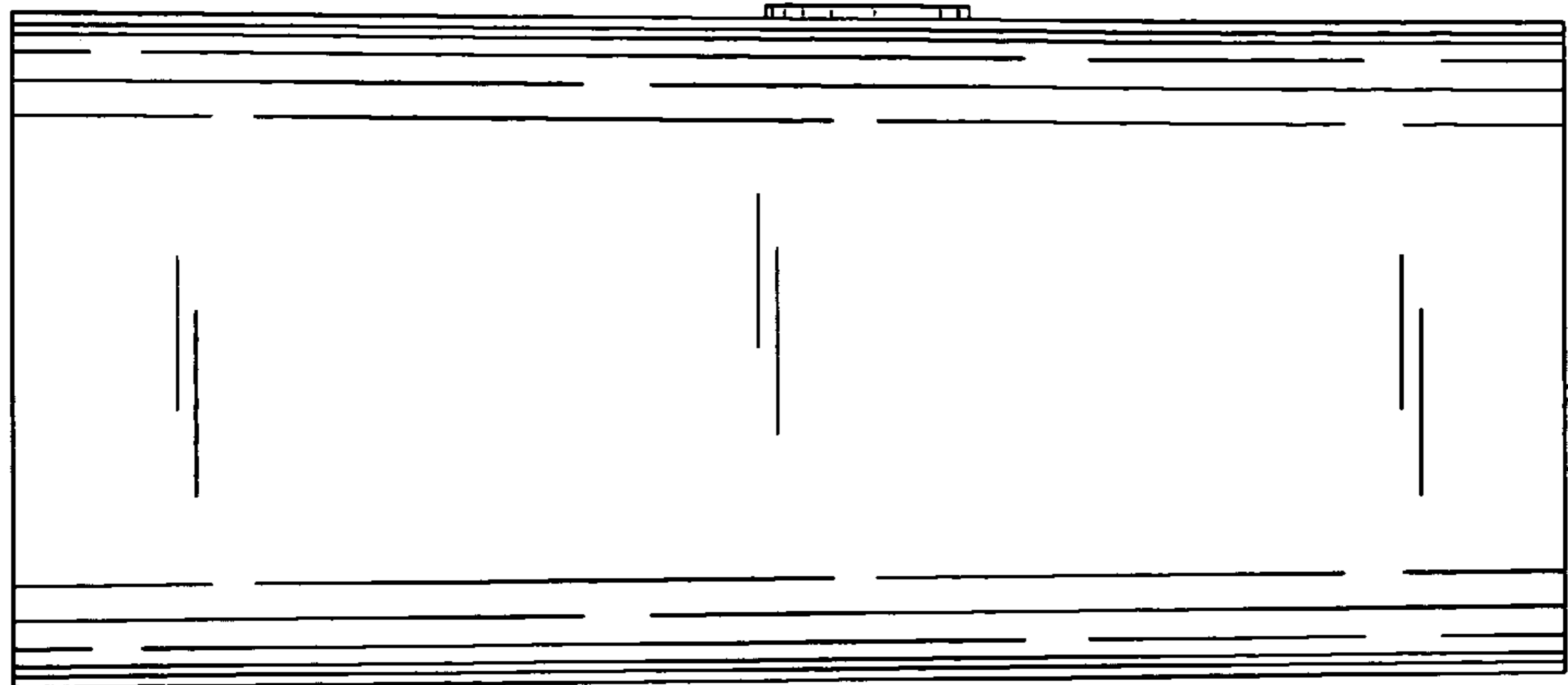


FIG. 14

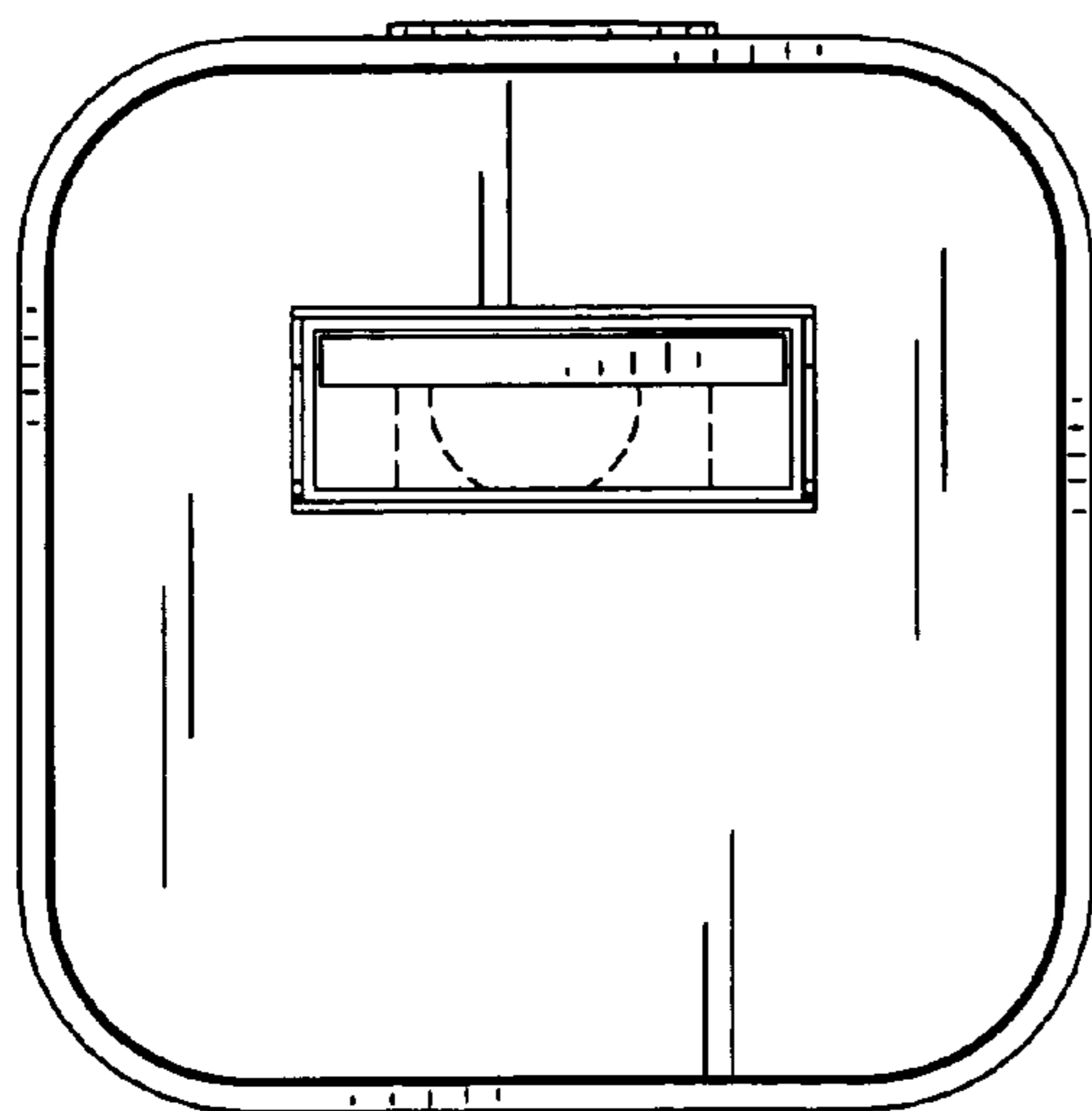


FIG. 15

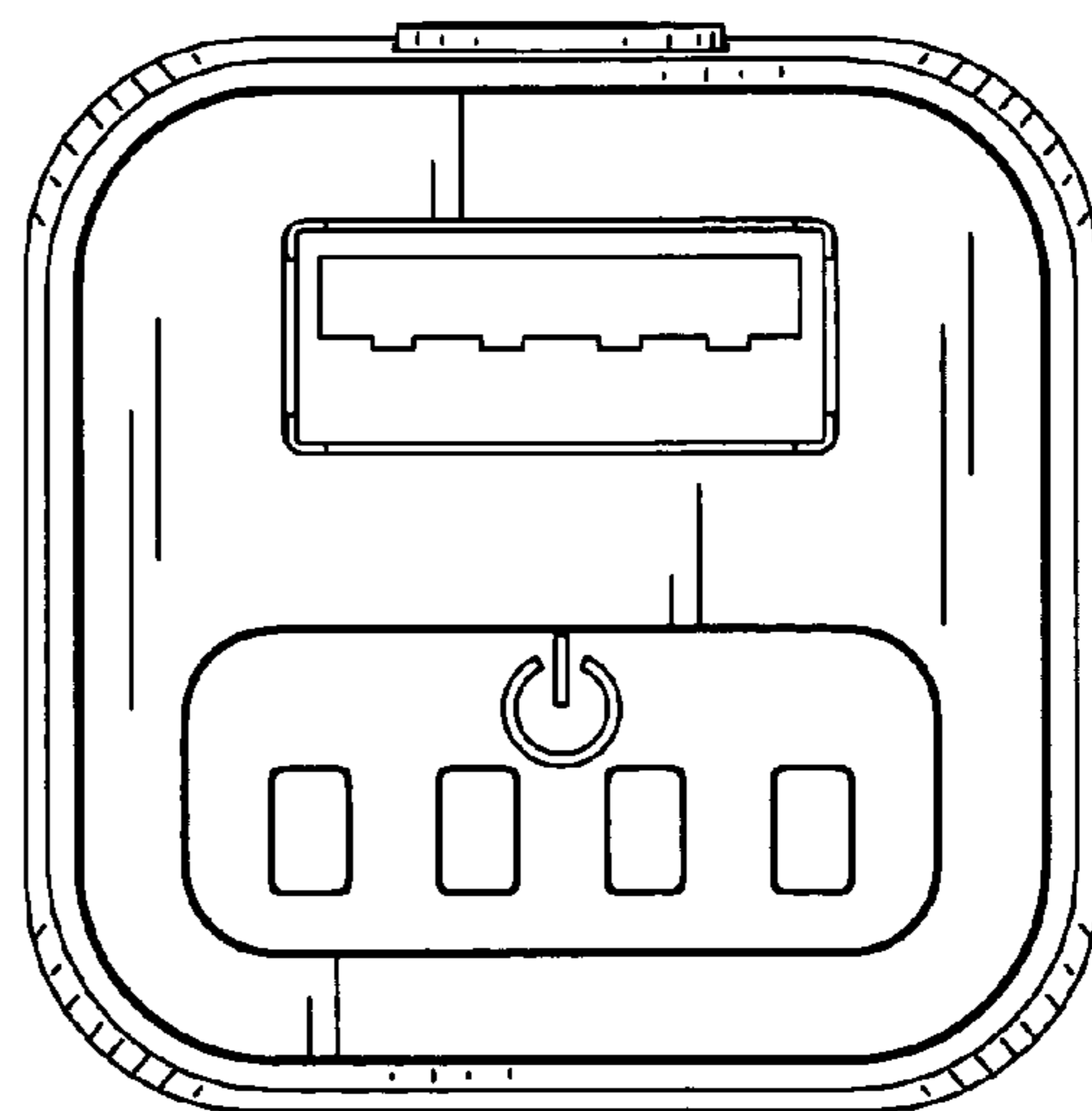


FIG. 16