



US00D595222S

(12) **United States Design Patent**  
**Ellsworth**

(10) **Patent No.:** **US D595,222 S**

(45) **Date of Patent:** **\*\* Jun. 30, 2009**

(54) **JUMP STARTER**

(75) Inventor: **Kevin Ellsworth**, Labelle, FL (US)

(73) Assignee: **Black & Decker Inc.**, Newark, DE (US)

(\*\*) Term: **14 Years**

(21) Appl. No.: **29/327,730**

(22) Filed: **Nov. 12, 2008**

(51) **LOC (9) Cl.** ..... **13-02**

(52) **U.S. Cl.** ..... **D13/107**

(58) **Field of Classification Search** ..... D13/107-110,  
D13/118-119, 184; 320/103-105, 107-115  
See application file for complete search history.

(56) **References Cited**

U.S. PATENT DOCUMENTS

D354,729 S *	1/1995	Poon	.....	D13/106
D393,446 S *	4/1998	Bellofatto et al.	.....	D13/106
D408,782 S *	4/1999	Poon	.....	D13/106
D429,482 S *	8/2000	Hussaini et al.	.....	D13/107
D444,122 S *	6/2001	Krieger et al.	.....	D13/107
D484,852 S *	1/2004	James et al.	.....	D13/107
D493,137 S *	7/2004	Casarella	.....	D13/107
D495,993 S *	9/2004	Krieger et al.	.....	D13/107
D503,378 S *	3/2005	Hussaini et al.	.....	D13/107

D504,396 S *	4/2005	Hussaini et al.	.....	D13/107
D504,661 S *	5/2005	Krieger et al.	.....	D13/107
D514,509 S *	2/2006	Krieger et al.	.....	D13/107
D545,270 S *	6/2007	Dayan	.....	D13/107

\* cited by examiner

*Primary Examiner*—Jennifer Rivard

*Assistant Examiner*—Rosemary K Tarcza

(74) *Attorney, Agent, or Firm*—Wesley W. Muller

(57) **CLAIM**

The ornamental design for a jump starter, as shown and described.

**DESCRIPTION**

FIG. 1 is a front perspective view of a jump starter according to the present invention;

FIG. 2 is a top view of the jump starter of FIG. 1;

FIG. 3 is a bottom view of the jump starter of FIG. 1;

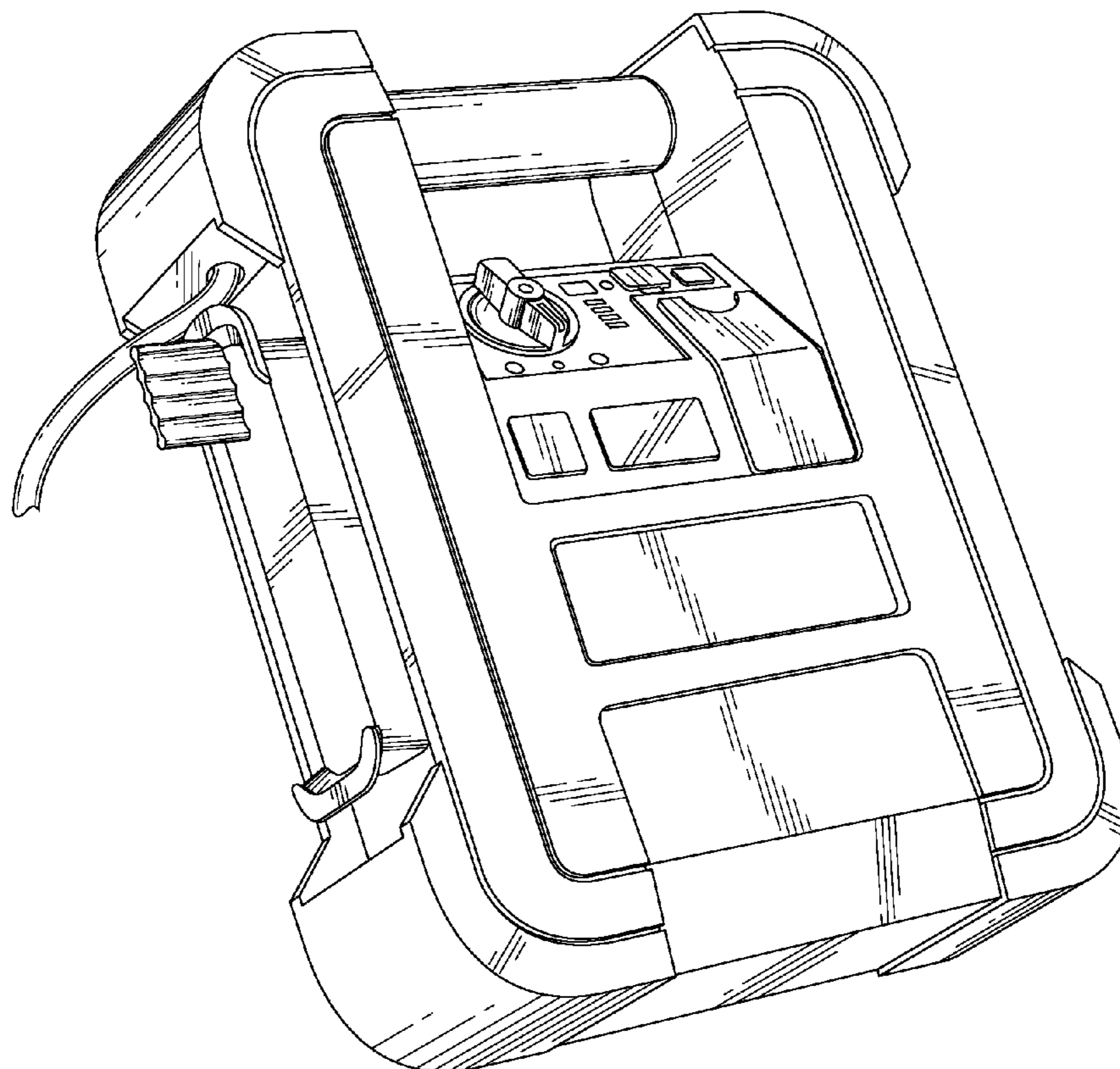
FIG. 4 is a right side view of the jump starter of FIG. 1;

FIG. 5 is a left side view of the jump starter of FIG. 1;

FIG. 6 is a front view of the jump starter of FIG. 1; and,

FIG. 7 is a rear view of the jump starter of FIG. 1.

**1 Claim, 7 Drawing Sheets**



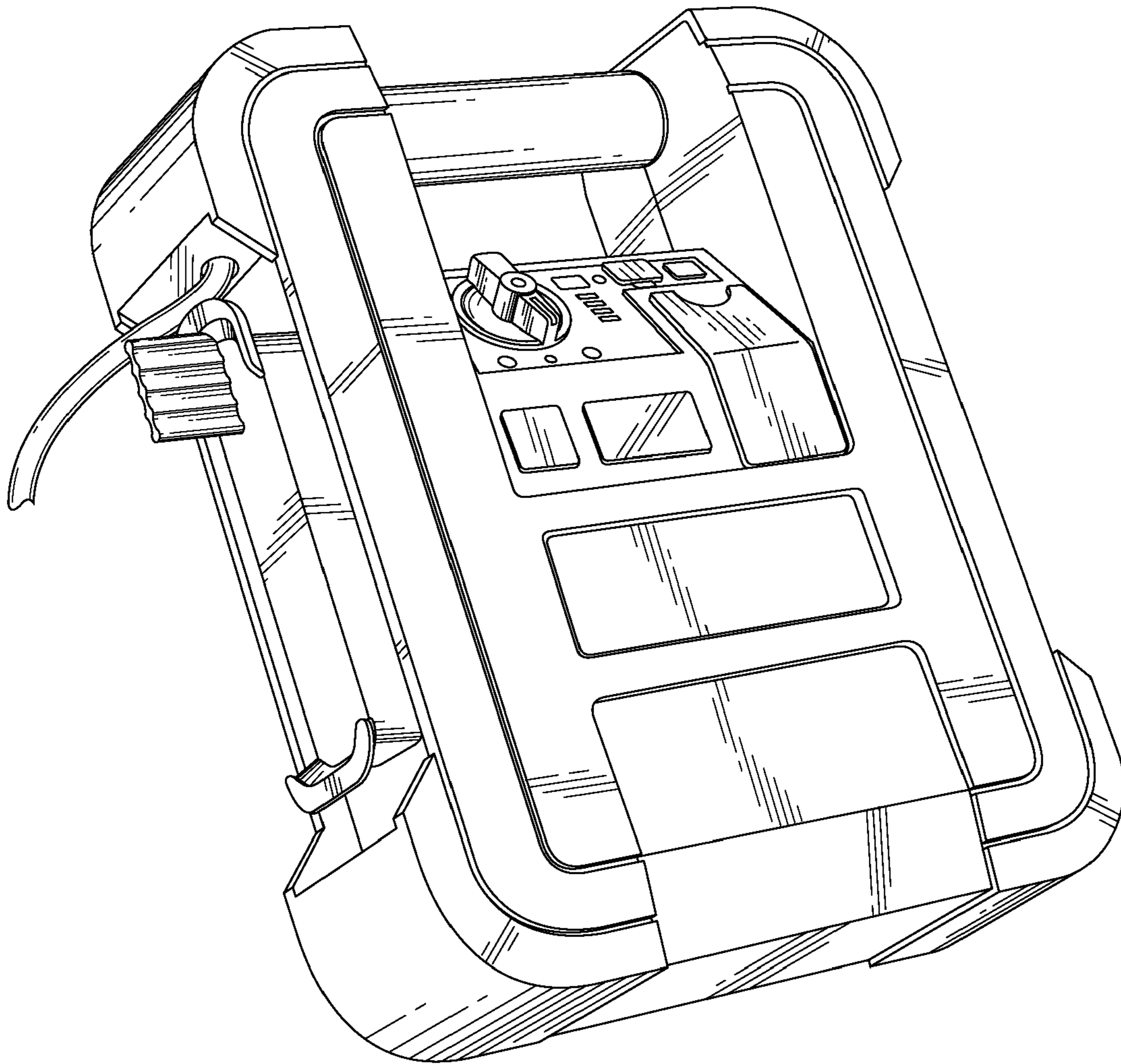


Fig. 1

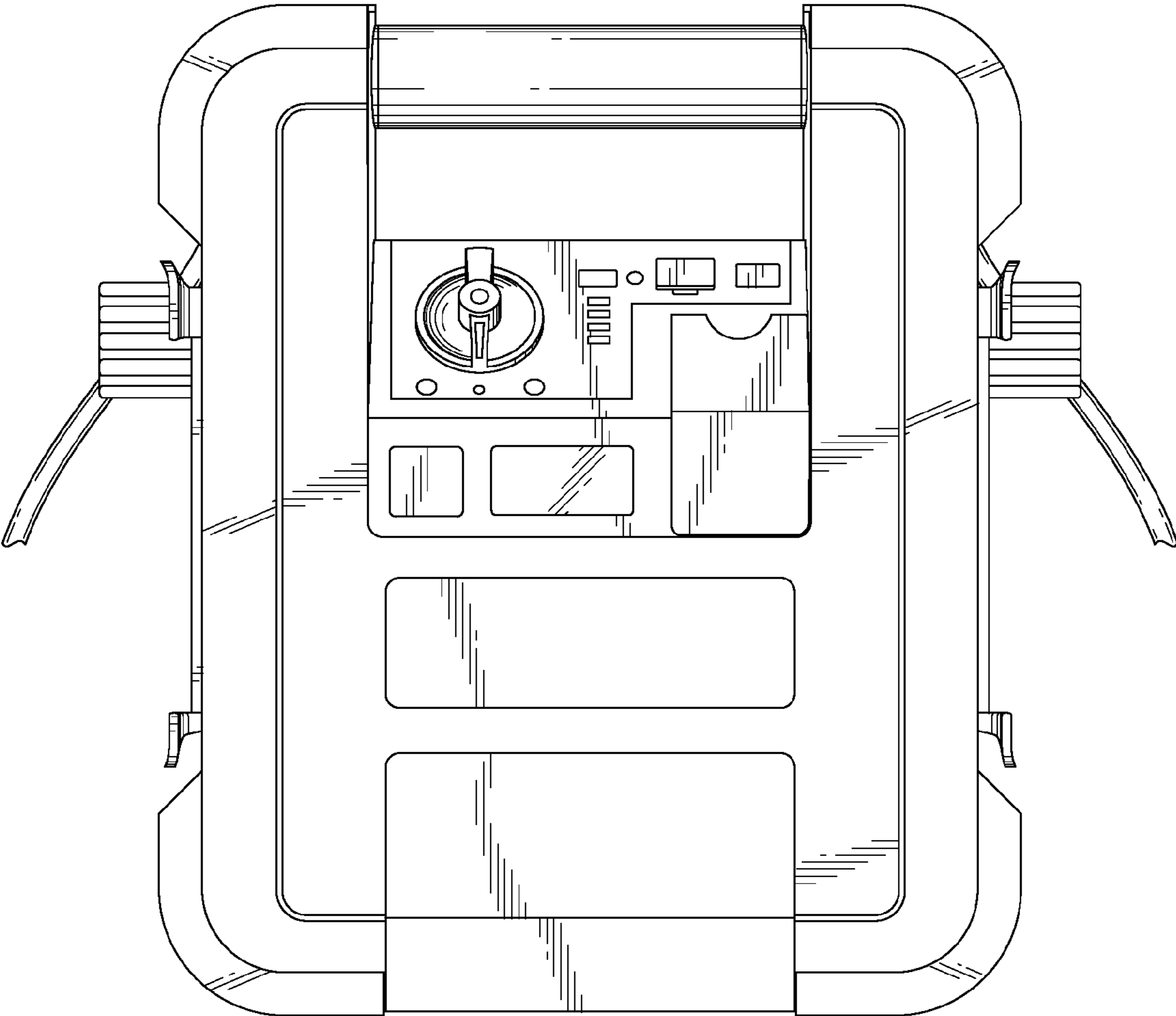


Fig. 2

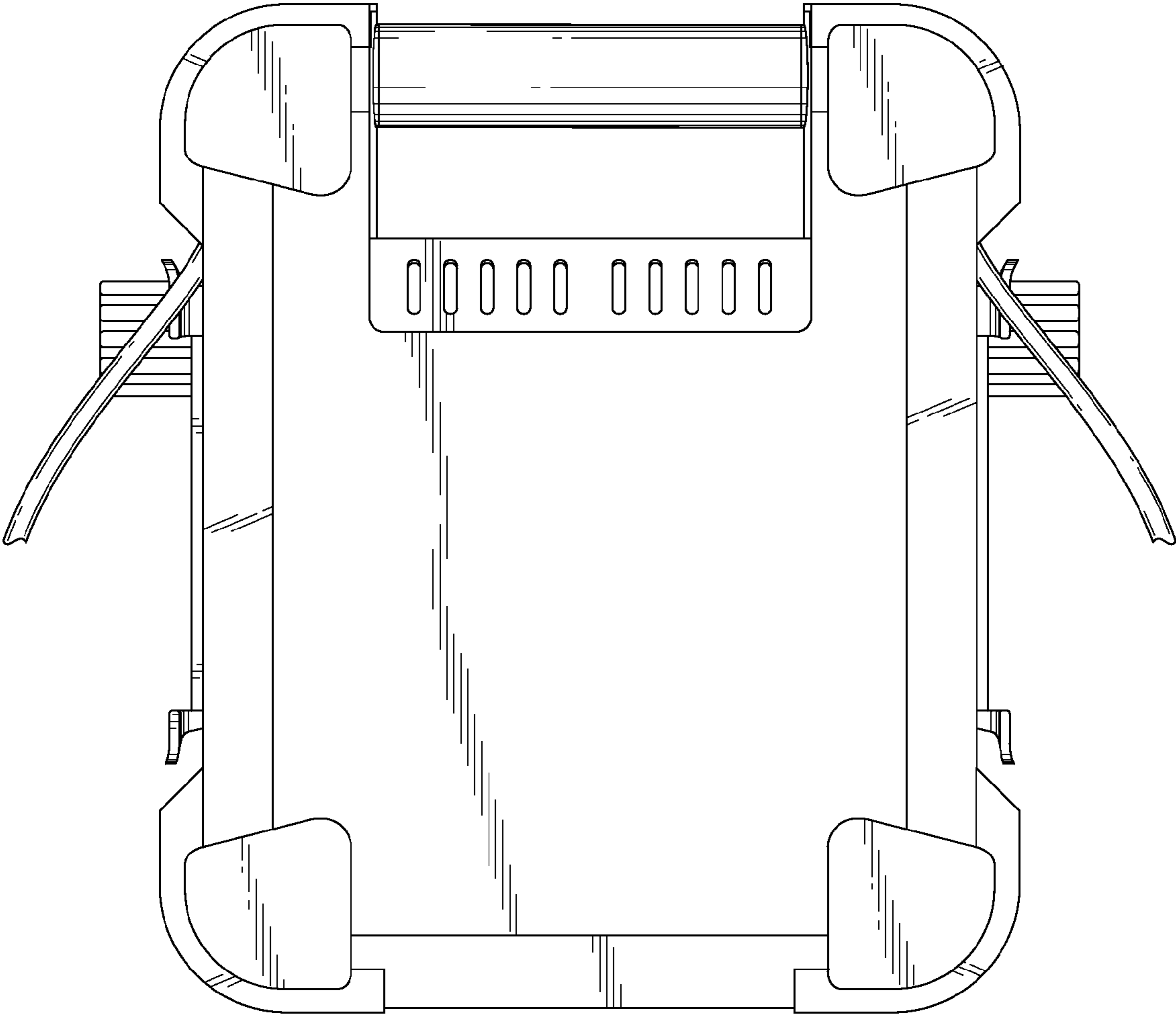


Fig. 3

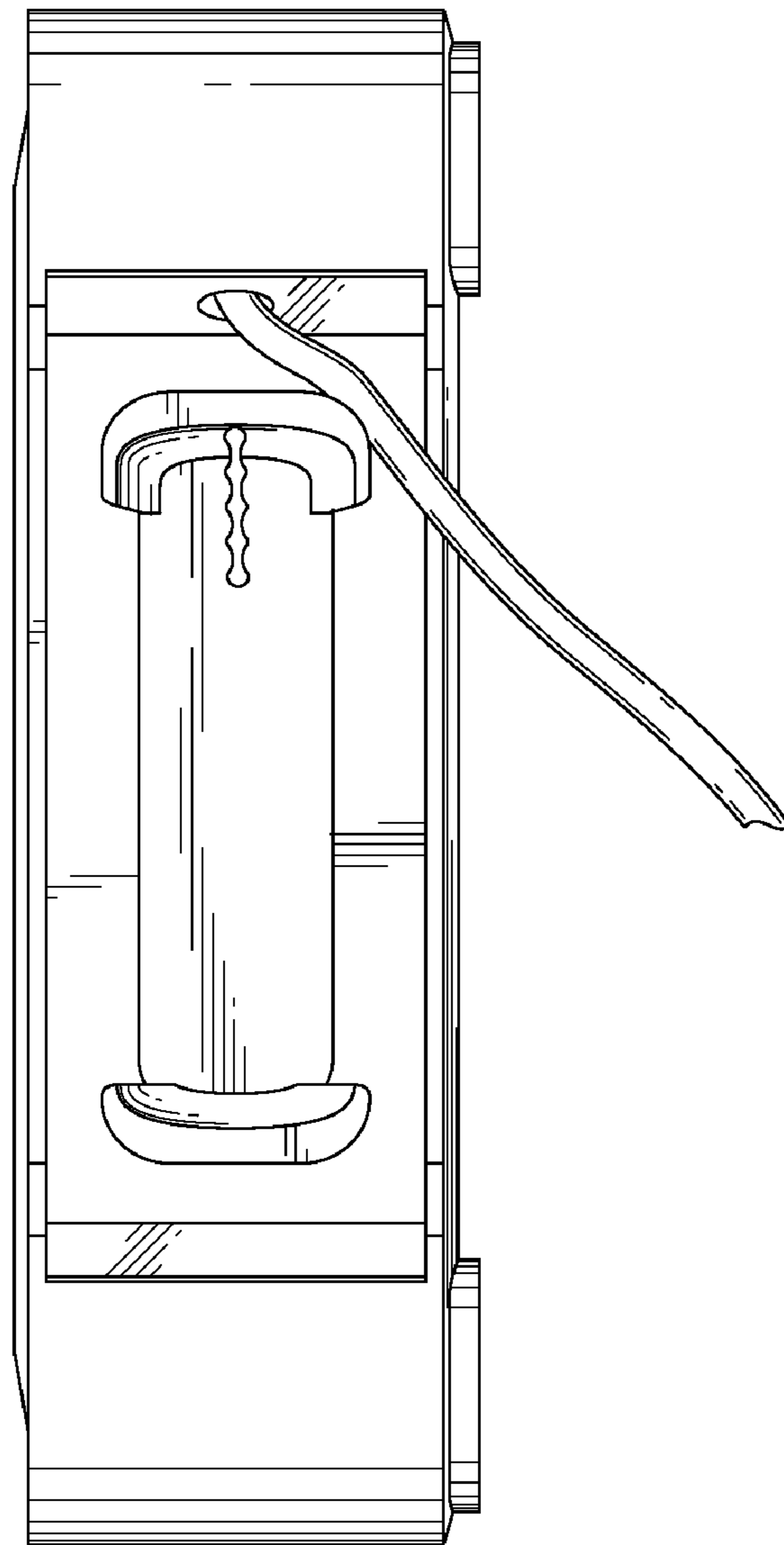


Fig. 4

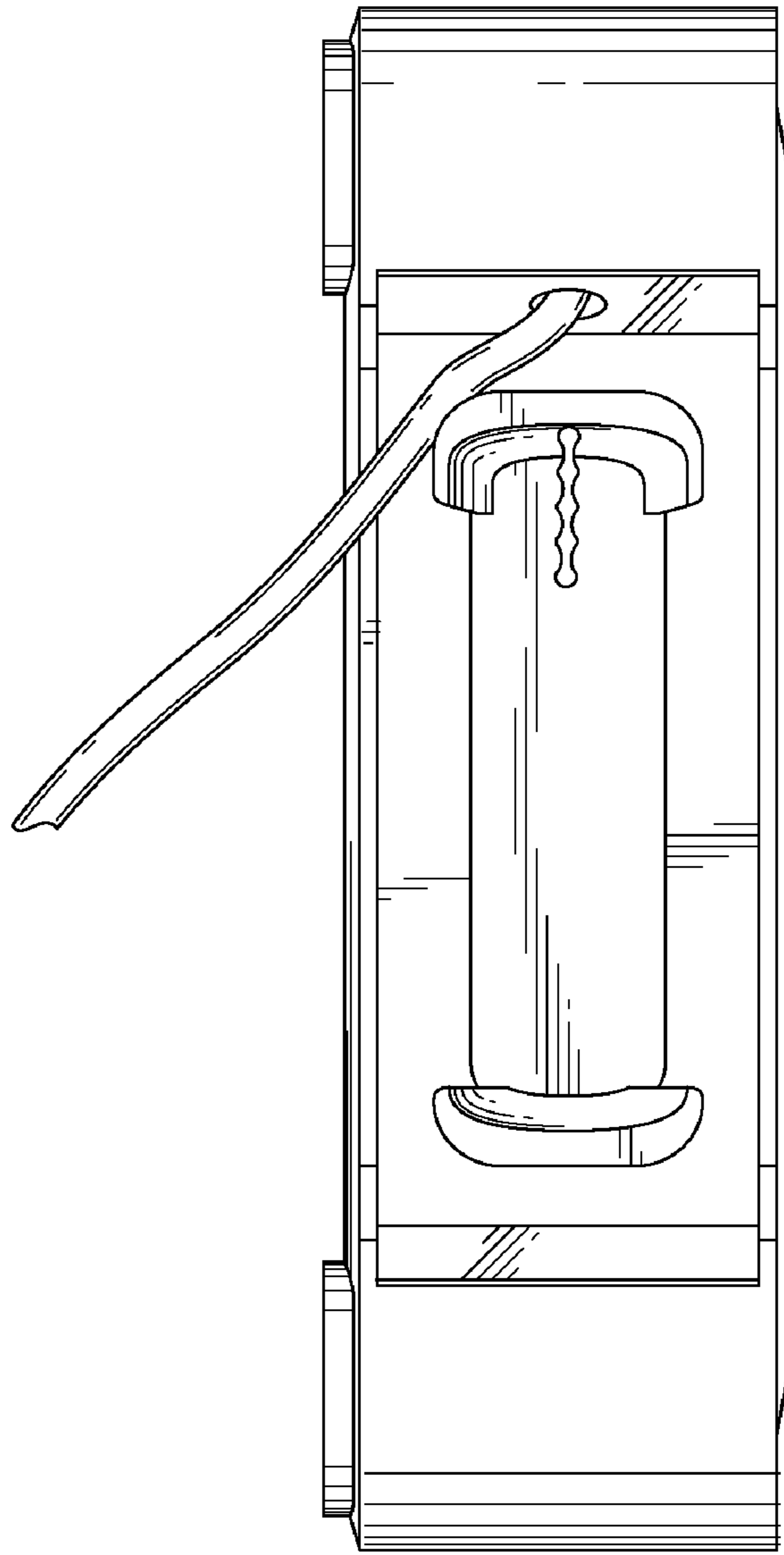


Fig. 5

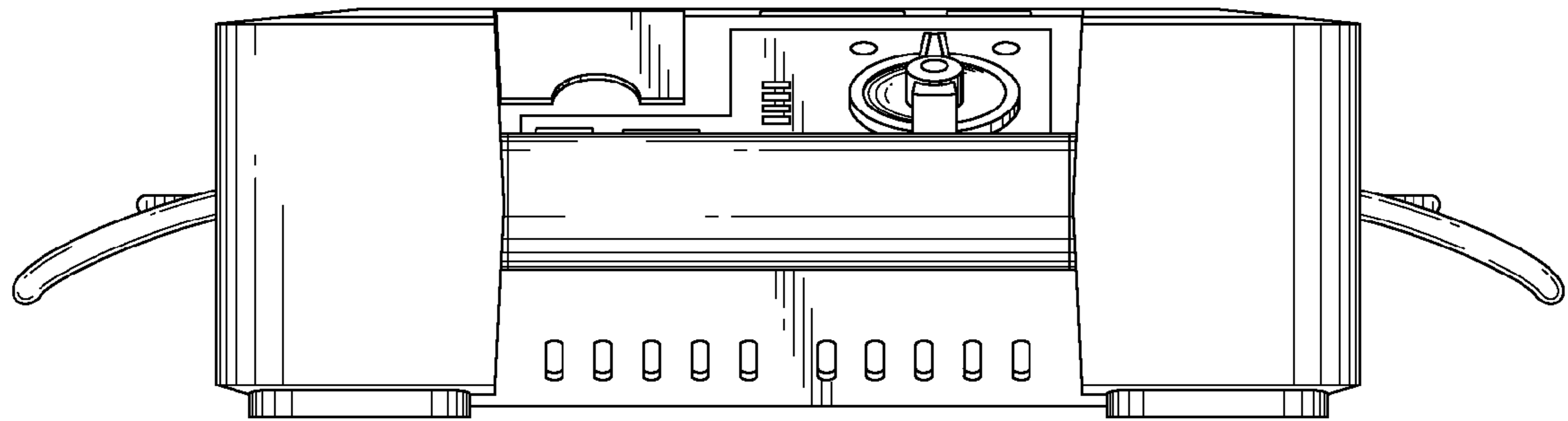


Fig. 6



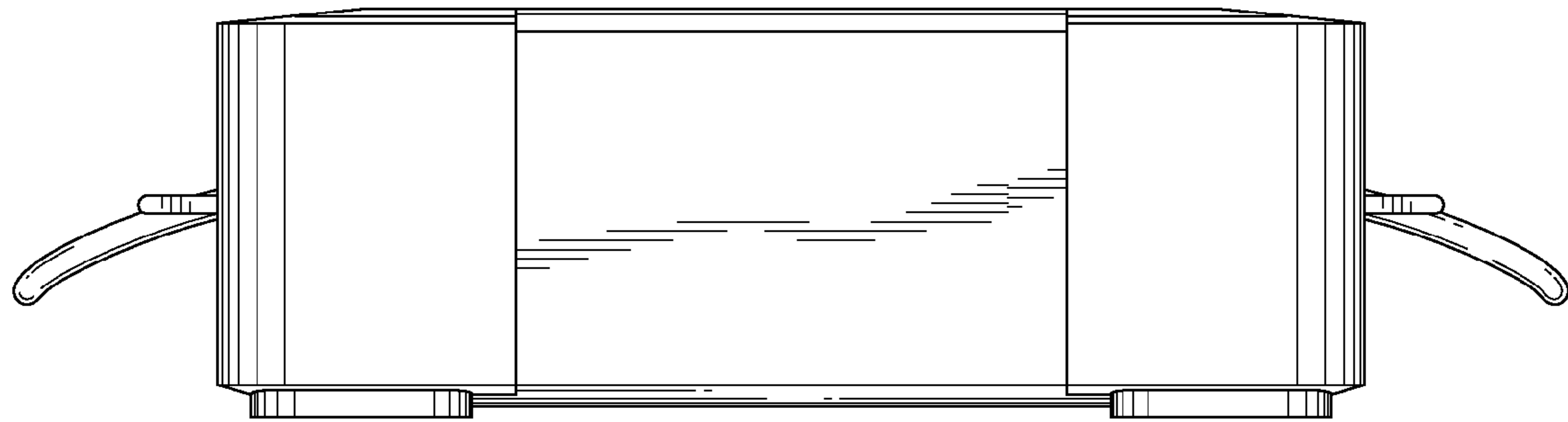


Fig. 7