



US00D595218S

(12) **United States Design Patent**  
**Rodicq et al.**

(10) **Patent No.:** **US D595,218 S**  
(45) **Date of Patent:** **\*\* Jun. 30, 2009**

- (54) **TIRE**
  - (75) Inventors: **Christophe Rodicq**,  
Thionville-Veymerange (FR); **Eric**  
**Michel Henrotte**, Saint-Leger (BE);  
**Hermanus Joannes Andries Vereecken**,  
Bissen (LU); **Mark Leslie Turner**,  
Dommeldange (LU); **Jacques Rolet**,  
Etalle (BE)
  - (73) Assignee: **The Goodyear Tire & Rubber**  
**Company**, Akron, OH (US)
  - (\*\*) Term: **14 Years**
  - (21) Appl. No.: **29/323,554**
  - (22) Filed: **Aug. 27, 2008**
  - (51) **LOC (9) Cl.** ..... **12-15**
  - (52) **U.S. Cl.** ..... **D12/544**
  - (58) **Field of Classification Search** ..... D12/512,  
D12/535-536, 544, 564-565, 571, 579, 585-89,  
D12/600-605; 152/209.1, 209.8-209.18,  
152/209.25-209.28
- See application file for complete search history.

(56) **References Cited**  
U.S. PATENT DOCUMENTS

D99,597 S	5/1936	Caldwell	
D104,492 S *	5/1937	Brunner	D12/544
D104,503 S	5/1937	Partenheimer	
D155,065 S	9/1949	Bete	D90/20
D157,118 S *	2/1950	Anderson	D12/544
D168,675 S	1/1953	Custer	D90/20
D169,668 S *	5/1953	Hardeman	D12/544
D213,659 S *	3/1969	Petroff	D12/544
4,383,567 A *	5/1983	Crum et al.	152/209.12
4,480,672 A *	11/1984	Marshall et al.	152/209.12
4,534,392 A *	8/1985	Bonko et al.	152/209.12
D293,093 S *	12/1987	Nishio et al.	D12/544
D346,993 S	5/1994	Bonko et al.	D12/151
5,337,816 A *	8/1994	Bonko et al.	152/209.12
5,411,067 A *	5/1995	Beehly et al.	152/209.12
D360,862 S	8/1995	Bonko et al.	D12/151
D367,448 S	2/1996	Baus et al.	D12/146
D383,426 S *	9/1997	Guidry	D12/544
D383,427 S	9/1997	Bonko	D12/151

D385,519 S	10/1997	de Briey-Terlinden et al.	D12/147
D389,441 S *	1/1998	Rooney	D12/544
D413,557 S	9/1999	Bonko	D12/146
D425,832 S *	5/2000	Umstot et al.	D12/544
D428,586 S *	7/2000	Rooney	D12/544
D444,110 S *	6/2001	Umstot et al.	D12/544
D459,289 S *	6/2002	Lo	D12/544
D462,935 S *	9/2002	Maxwell	D12/544
D505,108 S	5/2005	Bonko et al.	D12/506

\* cited by examiner

Primary Examiner—Stacia Cadmus

(74) Attorney, Agent, or Firm—Richard B. O’Planick

(57) **CLAIM**

The ornamental design for a tire, as shown and described.

**DESCRIPTION**

FIG. 1 is a perspective view of a tire showing our new design, it being understood that the pattern repeats uniformly throughout the circumference of the tread;

FIG. 2 is a front elevational view thereof;

FIG. 3 is a right side elevational view thereof; the other side being a mirror image thereof;

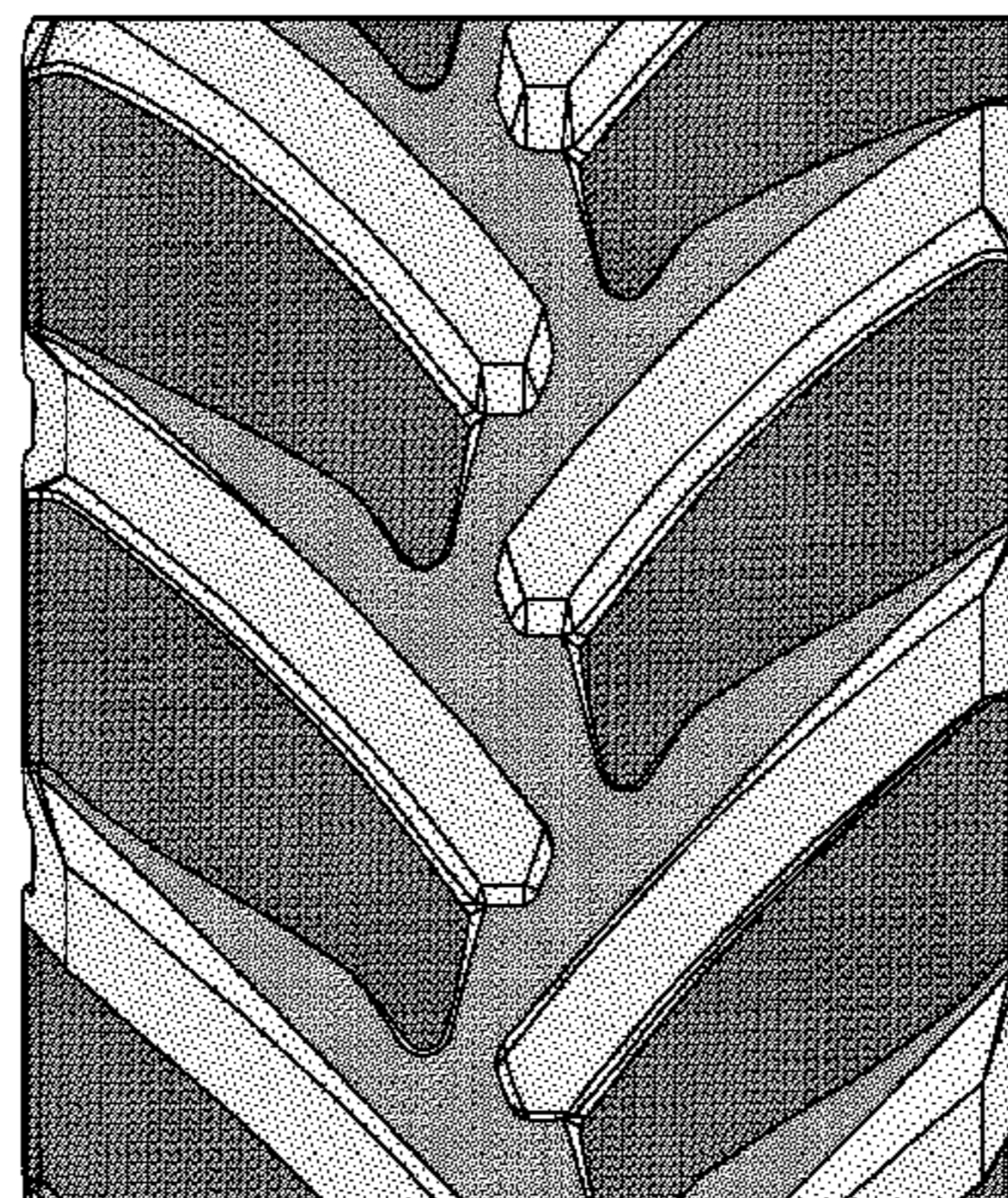
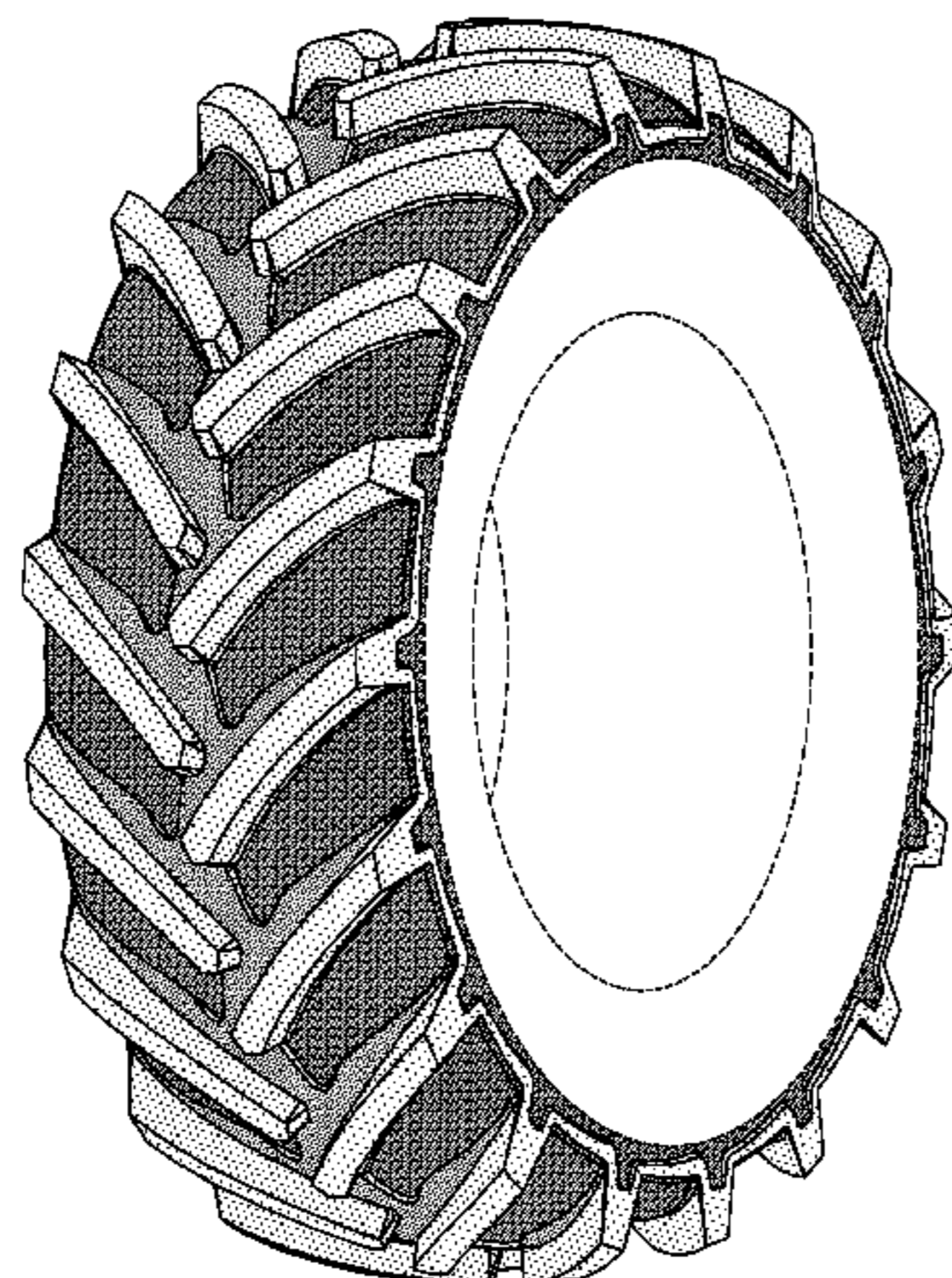
FIG. 4 is an enlarged fragmentary front elevational view thereof;

FIG. 5 is a perspective view of a second embodiment of a TIRE showing our new design, it being understood that the pattern repeats uniformly throughout the circumference of the tread and that the opposite side perspective view is a mirror image thereof; and,

FIG. 6 is a front elevational view of a second embodiment, it being understood that an enlarged fragmentary view thereof would be substantially identical to that shown in FIG. 4, with the exception of the inclusion of the sidewall in solid lines.

In the drawings, the broken line showing of the sidewall, inner bead and the peripheral boundary between the tire tread and the sidewall in FIGS. 1 through 4 depict environmental subject matter and form no part of the claimed design.

**1 Claim, 6 Drawing Sheets**





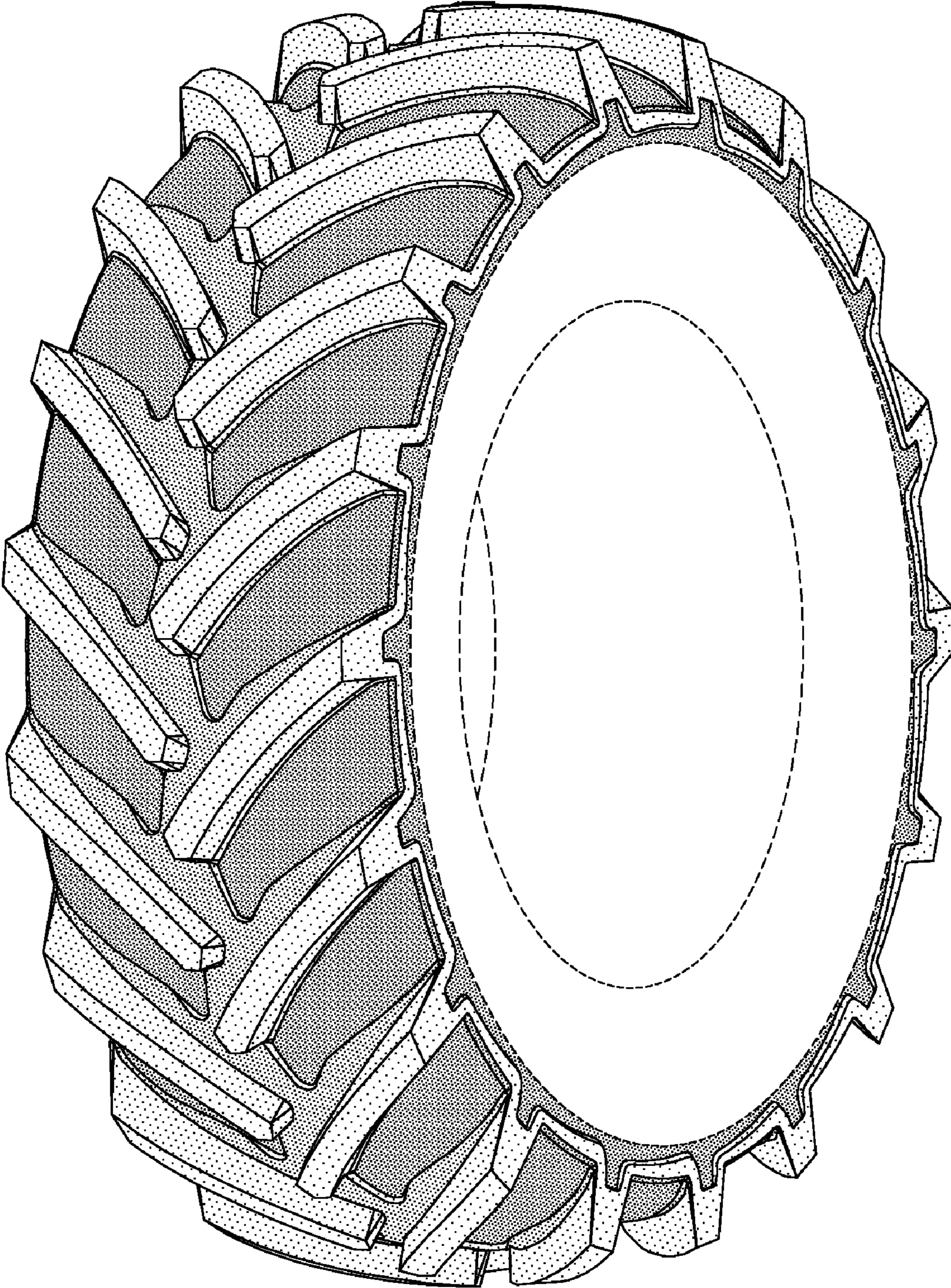


FIG-1

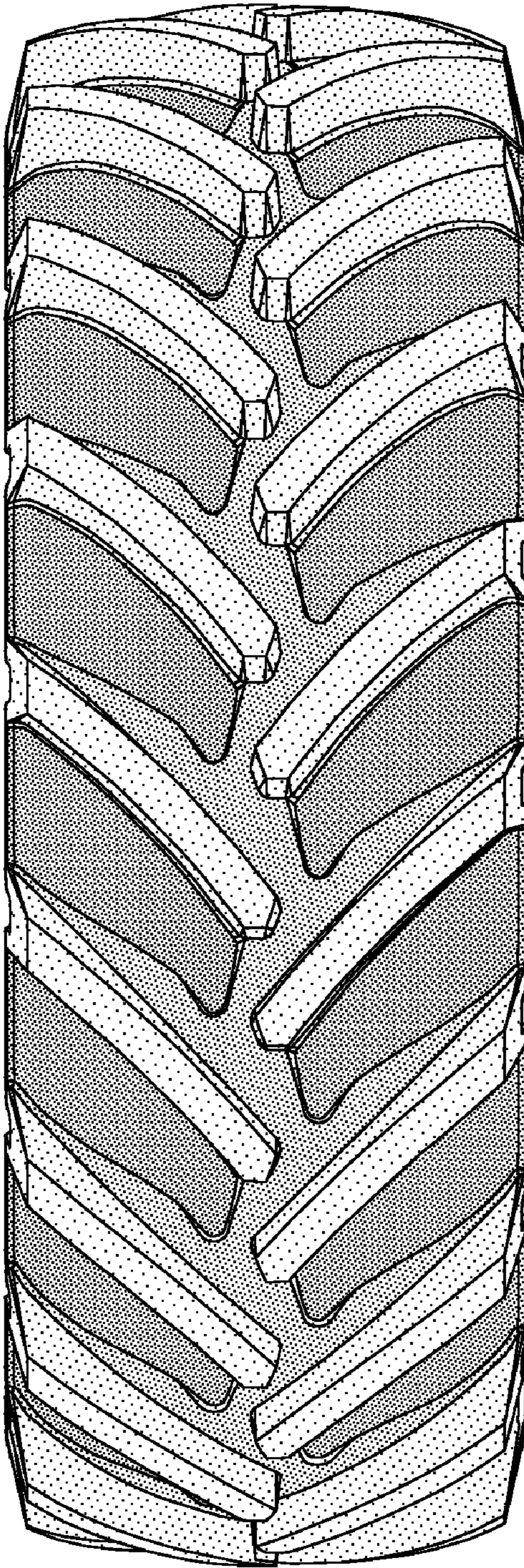


FIG-2



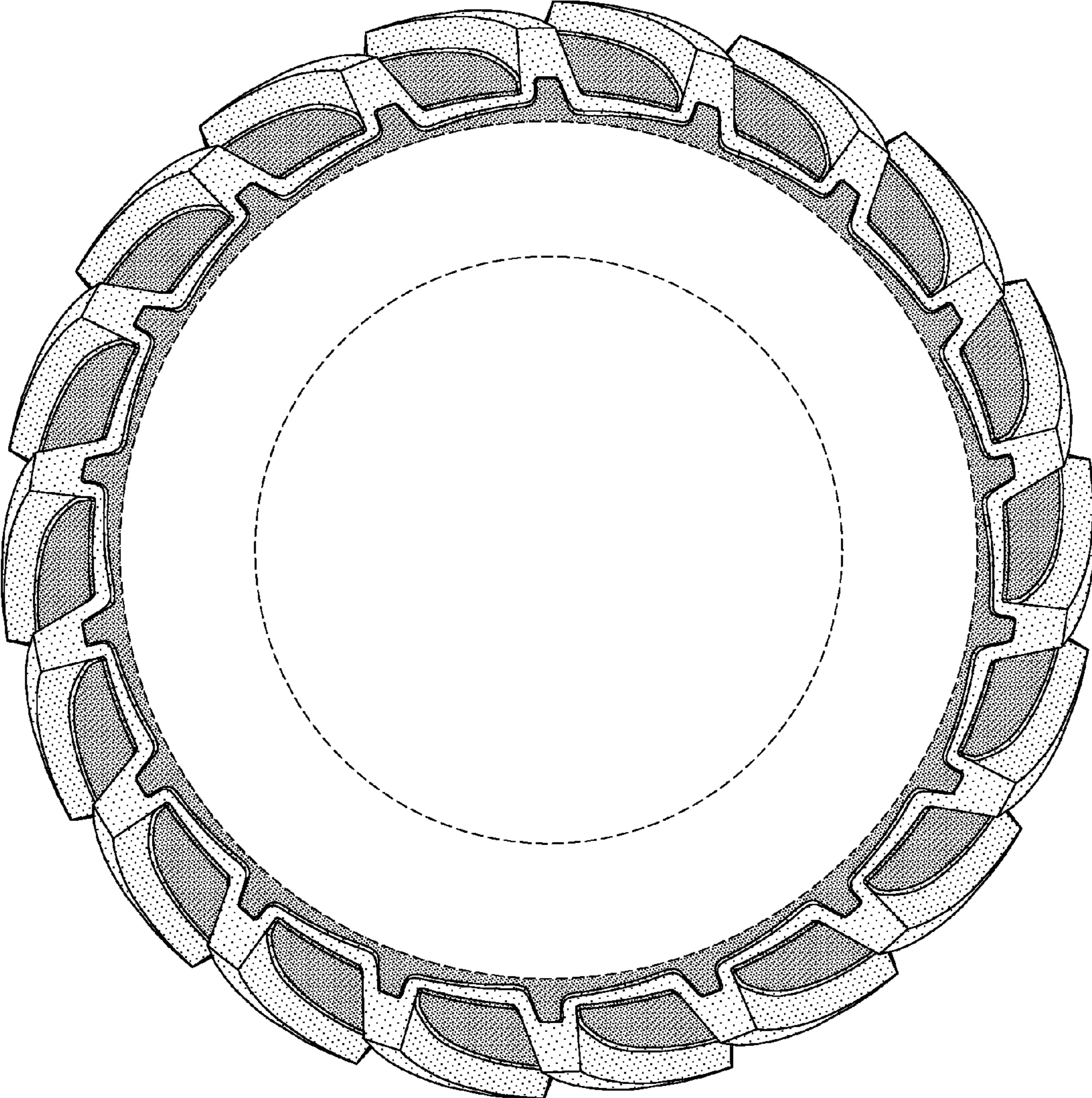


FIG-3



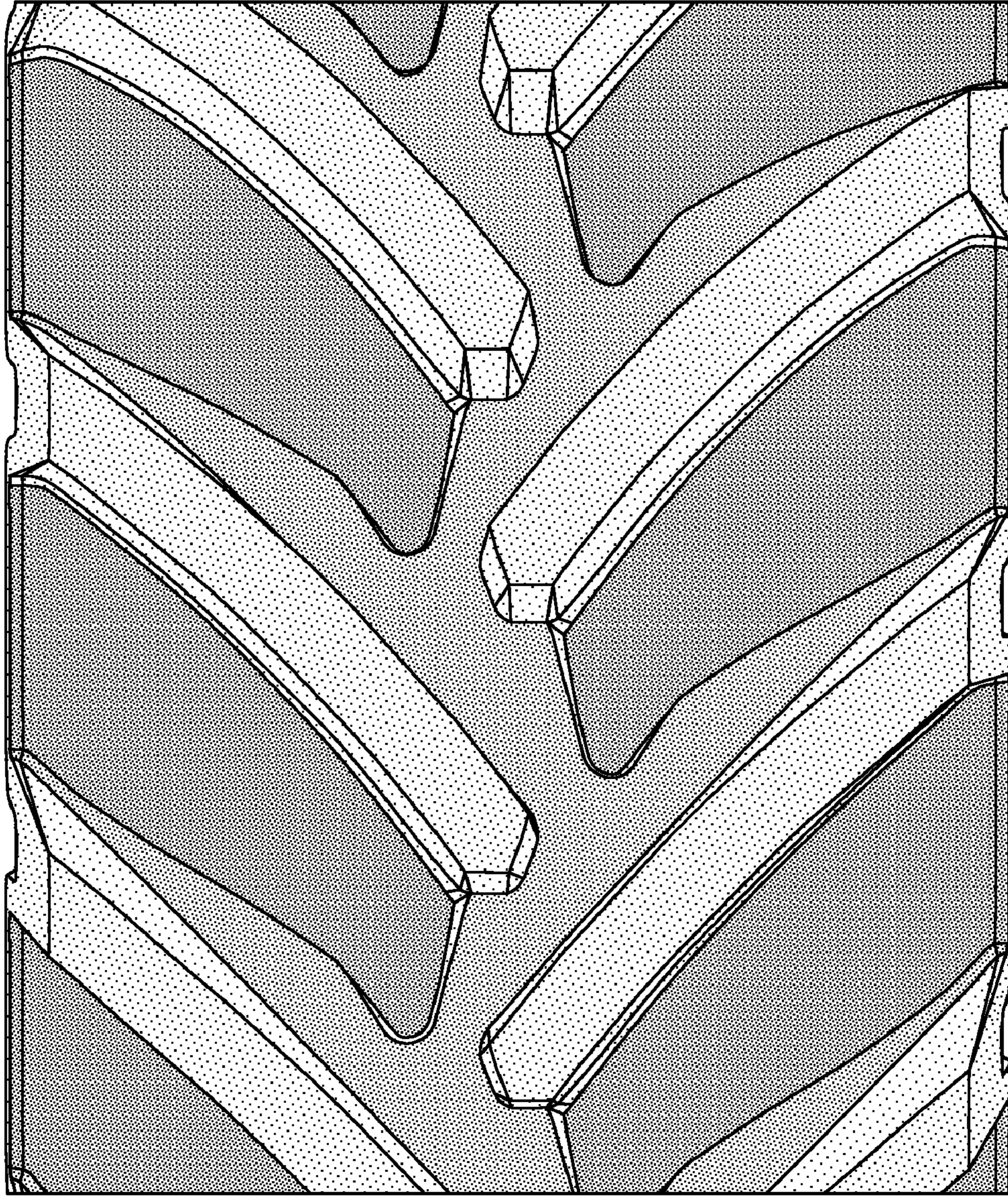


FIG-4



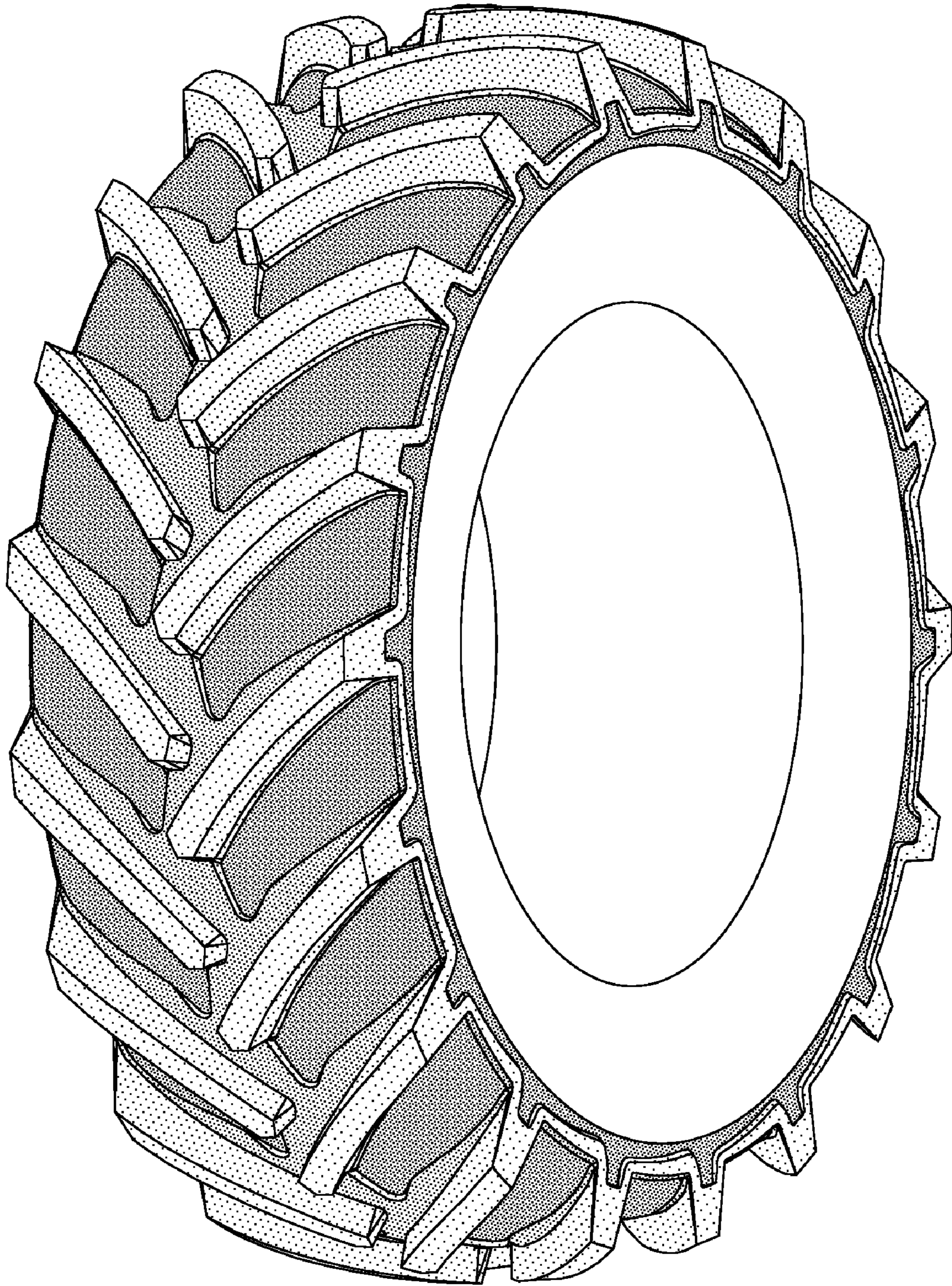


FIG-5

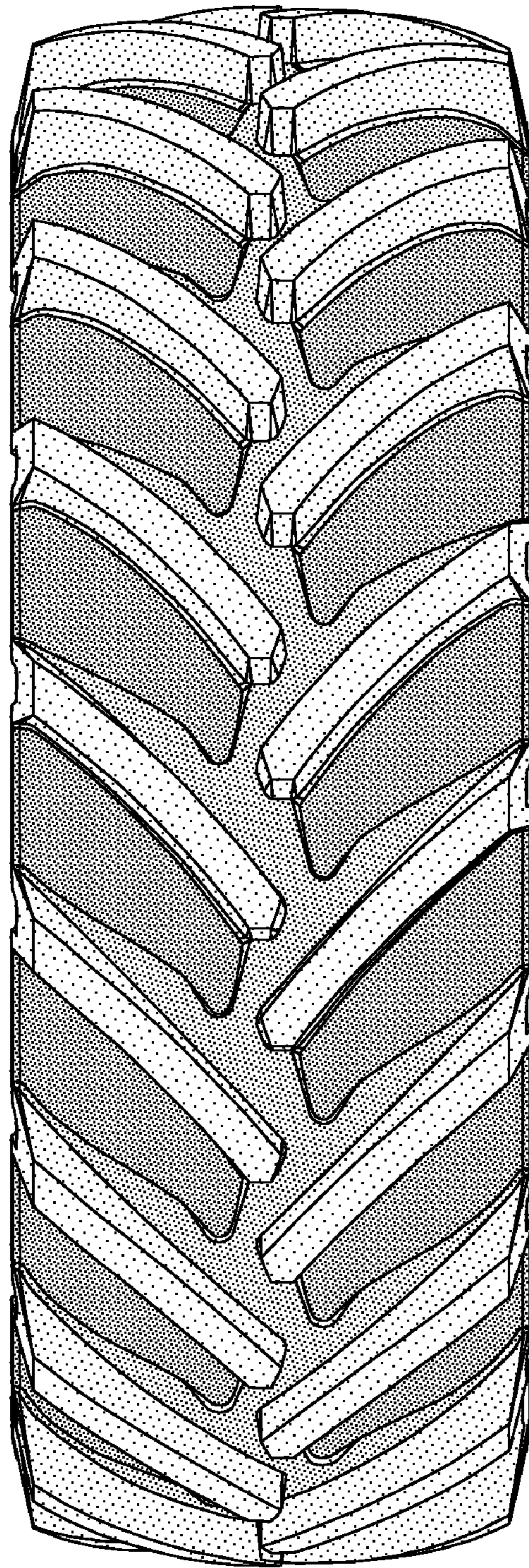


FIG-6