



US00D595203S

(12) **United States Design Patent**  
**Rak**

(10) **Patent No.:** **US D595,203 S**

(45) **Date of Patent:** **\*\* \*Jun. 30, 2009**

(54) **WHEEL OR WHEEL COVER**

(75) Inventor: **Oliver Rak**, Leonberg-Hoefingen (DE)

(73) Assignee: **Daimler AG**, Stuttgart (DE)

(\*) Notice: This patent is subject to a terminal disclaimer.

(\*\*) Term: **14 Years**

(21) Appl. No.: **29/311,467**

(22) Filed: **Mar. 24, 2009**

(30) **Foreign Application Priority Data**

Oct. 21, 2008 (EM) ..... 001024558-0001

(51) **LOC (9) Cl.** ..... **12-16**

(52) **U.S. Cl.** ..... **D12/211**

(58) **Field of Classification Search** ..... D12/204-213;  
301/37.101, 64.101, 65, 64.201

See application file for complete search history.

(56) **References Cited**

**U.S. PATENT DOCUMENTS**

- D503,918 S \* 4/2005 Fahr-Becker ..... D12/211
- D546,266 S \* 7/2007 Young ..... D12/211
- D548,161 S \* 8/2007 Young ..... D12/209

- D551,148 S \* 9/2007 Musser ..... D12/211
- D553,070 S \* 10/2007 Tirado ..... D12/211
- D553,550 S \* 10/2007 Tirado ..... D12/211
- D560,152 S \* 1/2008 Nordmann ..... D12/211
- D573,083 S \* 7/2008 Hetrick ..... D12/211
- D579,399 S \* 10/2008 Schweizer ..... D12/211
- D582,335 S \* 12/2008 Rak ..... D12/211
- D585,354 S \* 1/2009 Powell et al. .... D12/211
- D586,284 S \* 2/2009 Fridie ..... D12/211
- D590,321 S \* 4/2009 Rak ..... D12/211

\* cited by examiner

*Primary Examiner*—Stacia Cadmus

(74) *Attorney, Agent, or Firm*—Crowell & Moring LLP

(57) **CLAIM**

The ornamental design for a wheel or wheel cover, as shown and described.

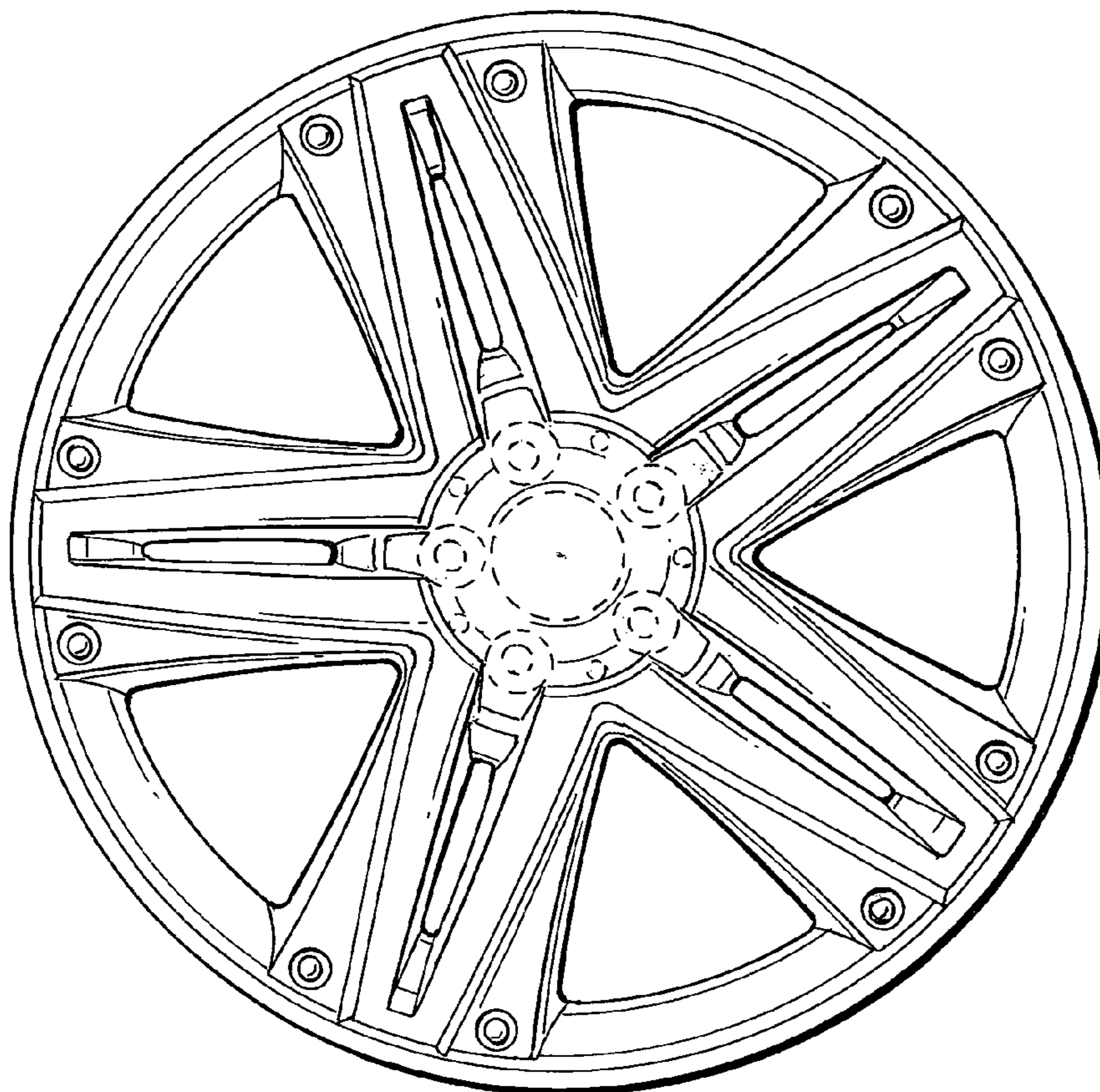
**DESCRIPTION**

FIG. 1 is a front view of a wheel or wheel cover according to my novel design; and,

FIG. 2 is a perspective view thereof.

The broken line showing of the rear of the rim, the bolt holes and the center cap is included for the purpose of illustrating environment and forms no part of the claimed design.

**1 Claim, 1 Drawing Sheet**



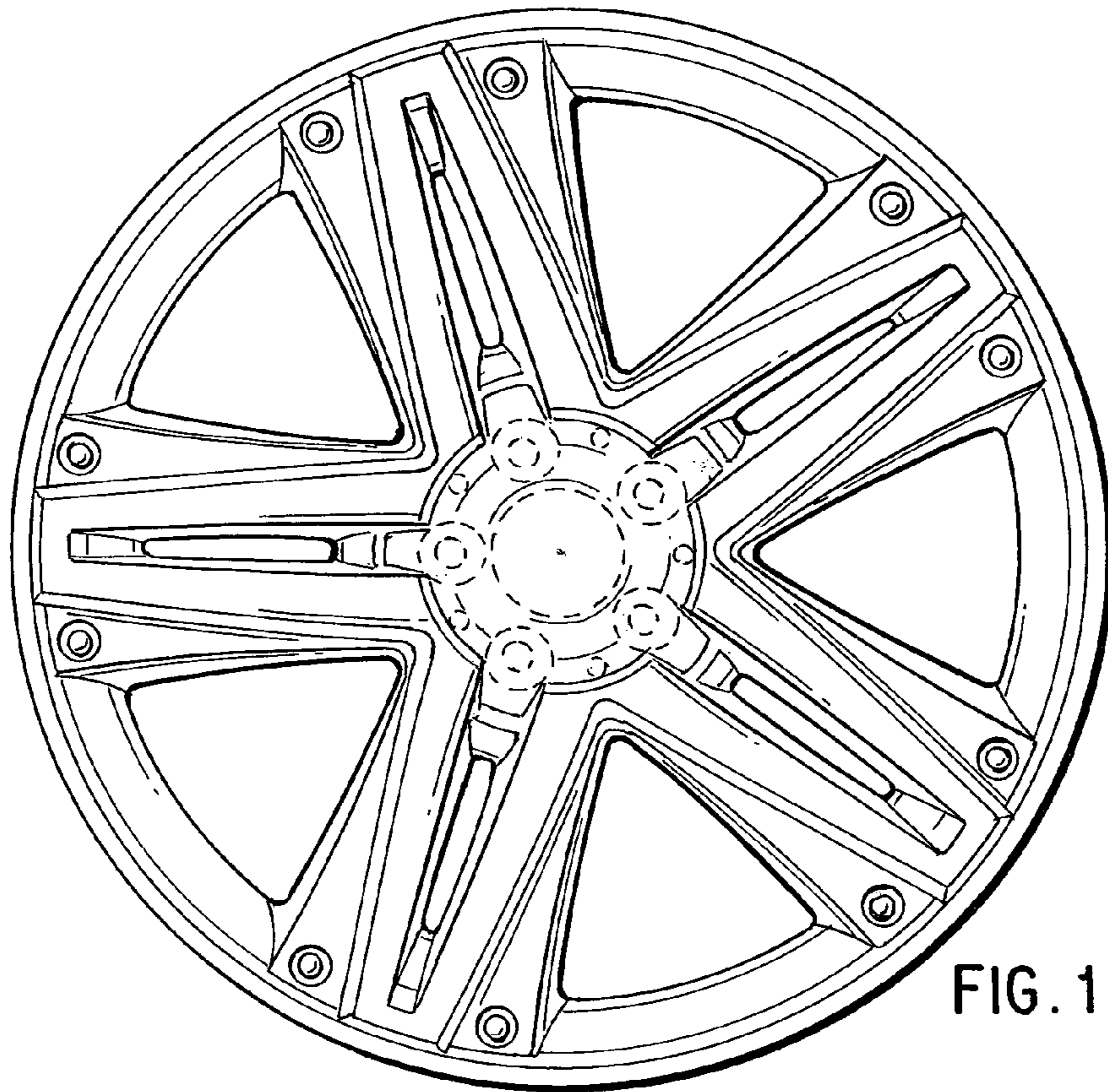


FIG. 1

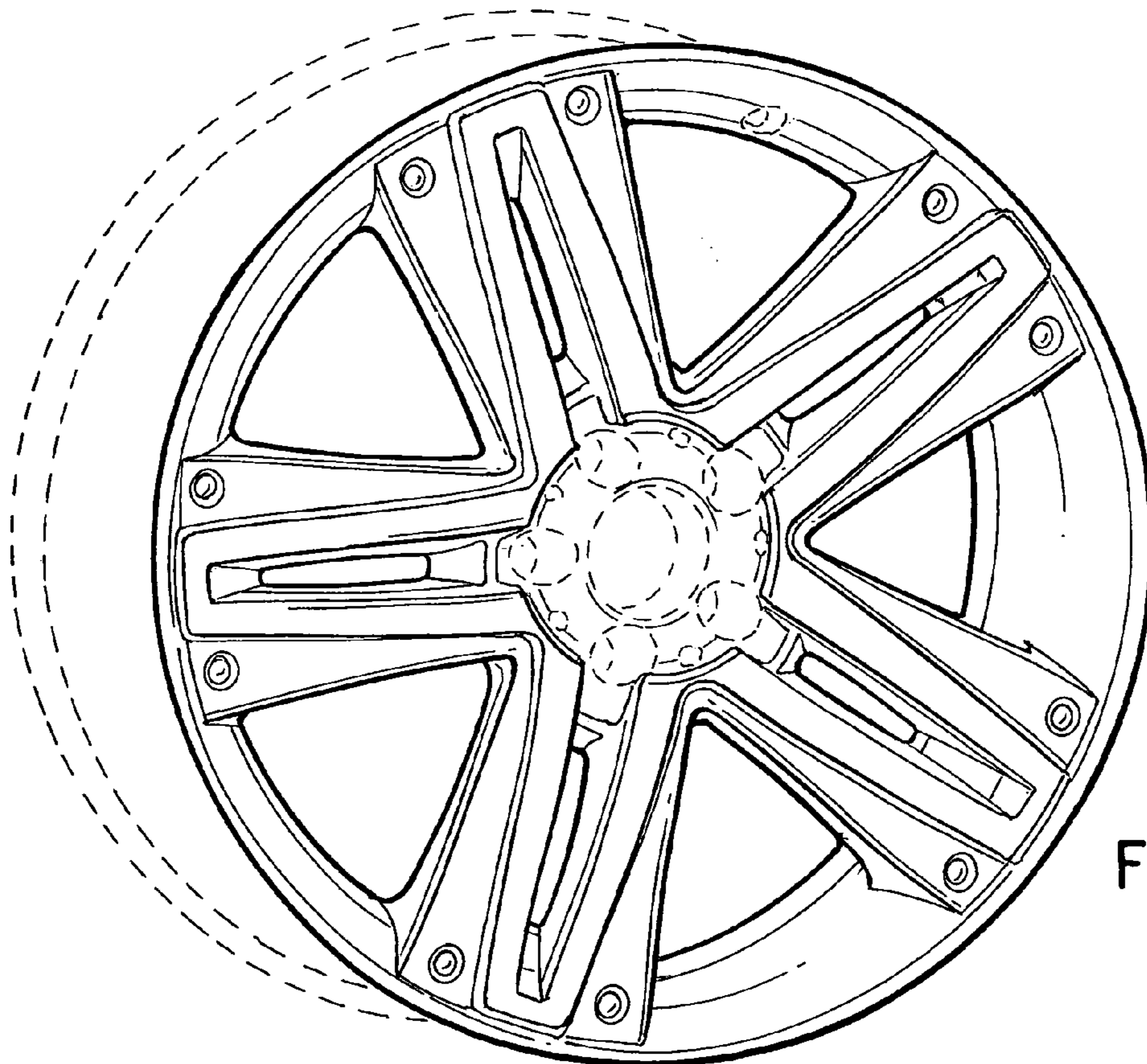


FIG. 2