



US00D595202S

(12) **United States Design Patent**
Spoerle

(10) **Patent No.:** **US D595,202 S**
(45) **Date of Patent:** **** Jun. 30, 2009**

(54) **WHEEL OR WHEEL COVER**
(75) Inventor: **Frank Spoerle**, Leonberg (DE)
(73) Assignee: **Daimler AG**, Stuttgart (DE)
(**) Term: **14 Years**

D441,705 S * 5/2001 Brintouch D12/204
D504,375 S * 4/2005 Hussaini et al. D12/204
D516,003 S * 2/2006 Huet D12/211
D530,255 S * 10/2006 Pfeiffer D12/211
D553,550 S * 10/2007 Tirado D12/211

* cited by examiner

(21) Appl. No.: **29/309,332**
(22) Filed: **Jul. 28, 2008**

Primary Examiner—Elizabeth A Albert
Assistant Examiner—Kelley A Donnelly
(74) *Attorney, Agent, or Firm*—Crowell & Moring LLP

(30) **Foreign Application Priority Data**
Jan. 29, 2008 (EM) 000867064-0002

(57) **CLAIM**

The ornamental design for a wheel or wheel cover, as shown and described.

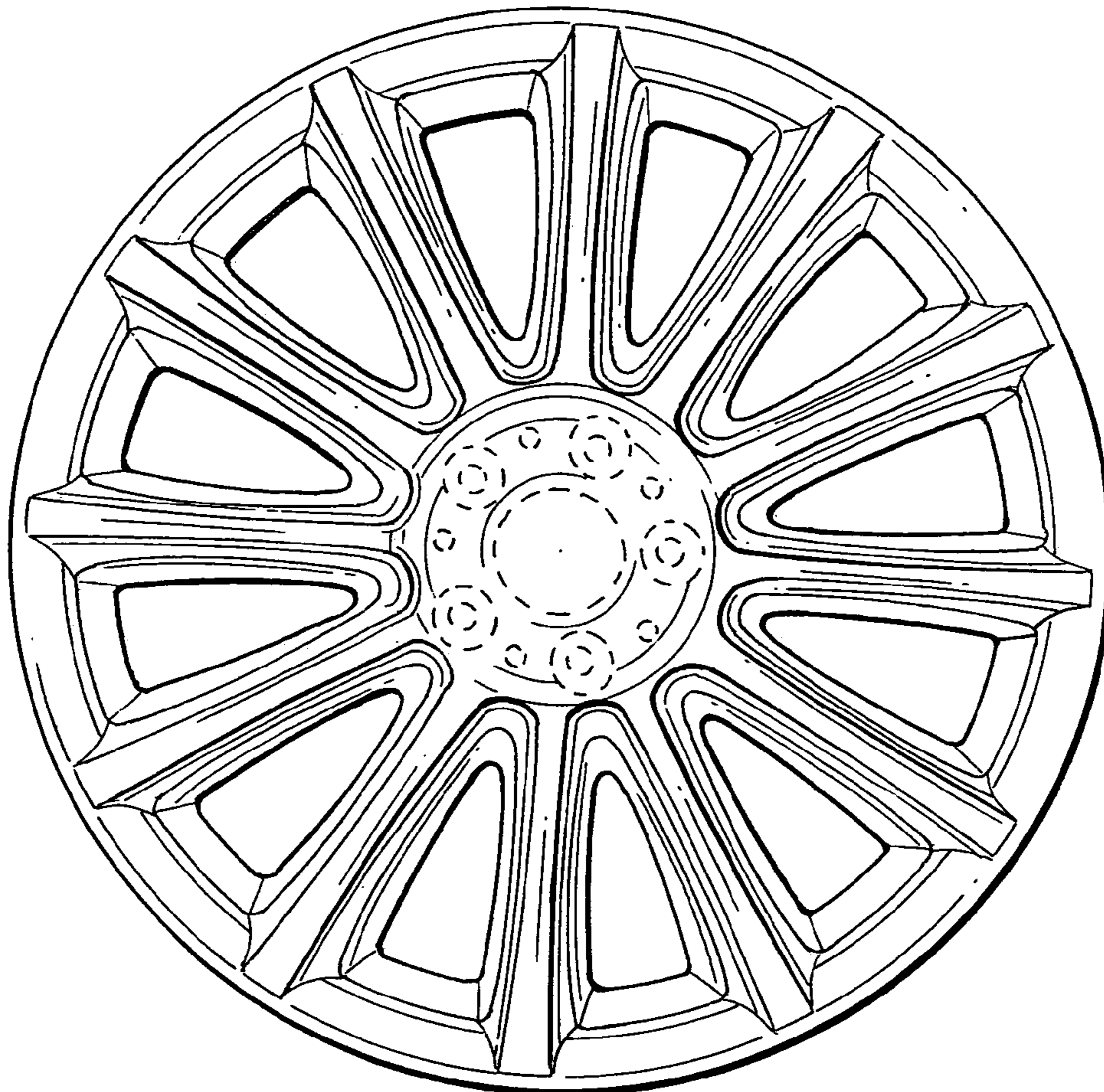
(51) **LOC (9) Cl.** **12-16**
(52) **U.S. Cl.** **D12/211**
(58) **Field of Classification Search** D12/204–213;
301/37.101, 64.101, 65
See application file for complete search history.

DESCRIPTION

FIG. 1 is a front view of a wheel or wheel cover according to my design; and,
FIG. 2 is a perspective view thereof.
The broken lines are for environmental purposes only and form no part of the claimed design.

(56) **References Cited**
U.S. PATENT DOCUMENTS
D369,136 S * 4/1996 Harding D12/176

1 Claim, 1 Drawing Sheet



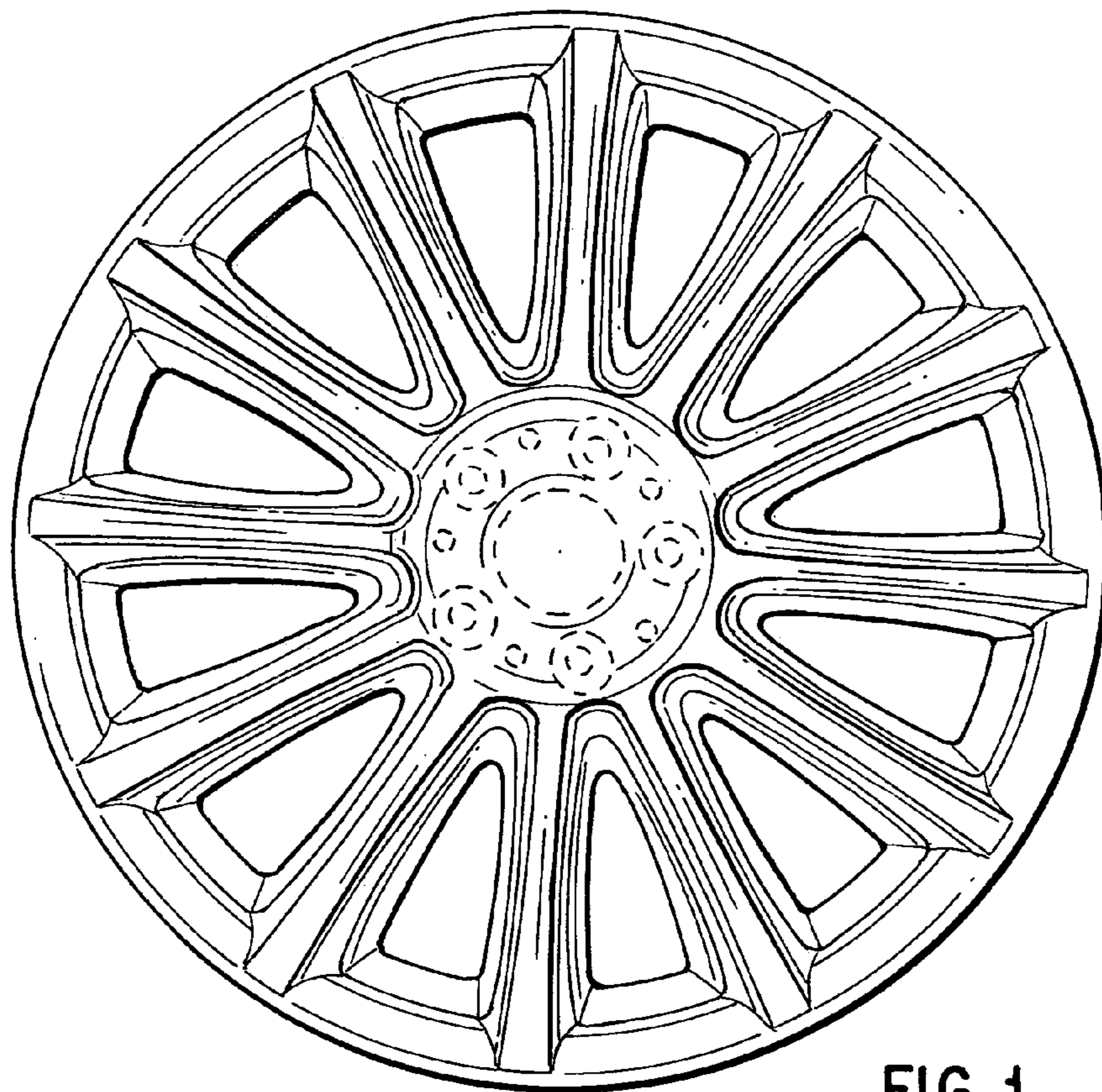


FIG. 1

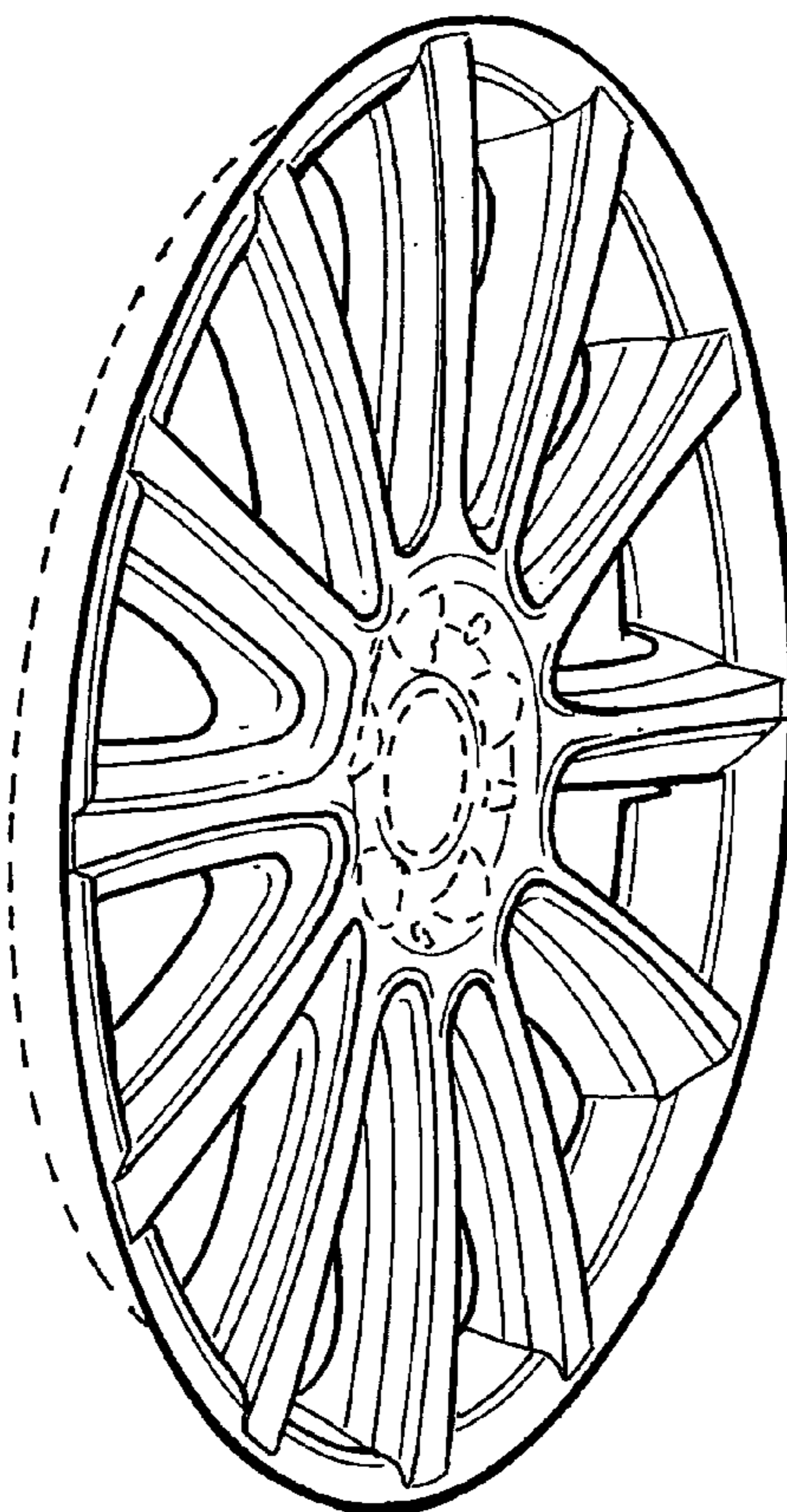


FIG. 2